



US00D357705S

# United States Patent [19]

[11] Patent Number: **Des. 357,705**

Milojevich

[45] Date of Patent: **\*\* Apr. 25, 1995**

[54] **DISPLAY STAND**

1,562,638	11/1925	Hacha .....	D21/54 X
1,681,586	8/1928	Kessler .....	248/473
2,235,283	3/1941	Carver .....	248/473

[76] Inventor: **Ray M. Milojevich**, 2347 SE. Lark St., Milwaukie, Oreg. 97222

*Primary Examiner*—Martie Thompson  
*Attorney, Agent, or Firm*—Kolisch, Hartwell, Dickinson, McCormack & Heuser

[\*\*] Term: **14 Years**

[21] Appl. No.: **4,731**

[57] **CLAIM**

[22] Filed: **Feb. 12, 1993**

The ornamental design for a display stand, as shown and described.

[52] U.S. Cl. .... **D19/90; D19/86; D20/15**

**DESCRIPTION**

[58] Field of Search ..... **D19/65, 75, 81-85, D19/86, 90, 91, 95, 96, 97, 99, 100; D6/310, 466; D11/131, 157; D20/15; 248/473; 40/124, 124.2, 124.4, 657, 658**

FIG. 1 is a top plan view of a display stand showing my new design;

FIG. 2 is a bottom plan view;

FIG. 3 is a front elevational view;

FIG. 4 is a rear elevational view;

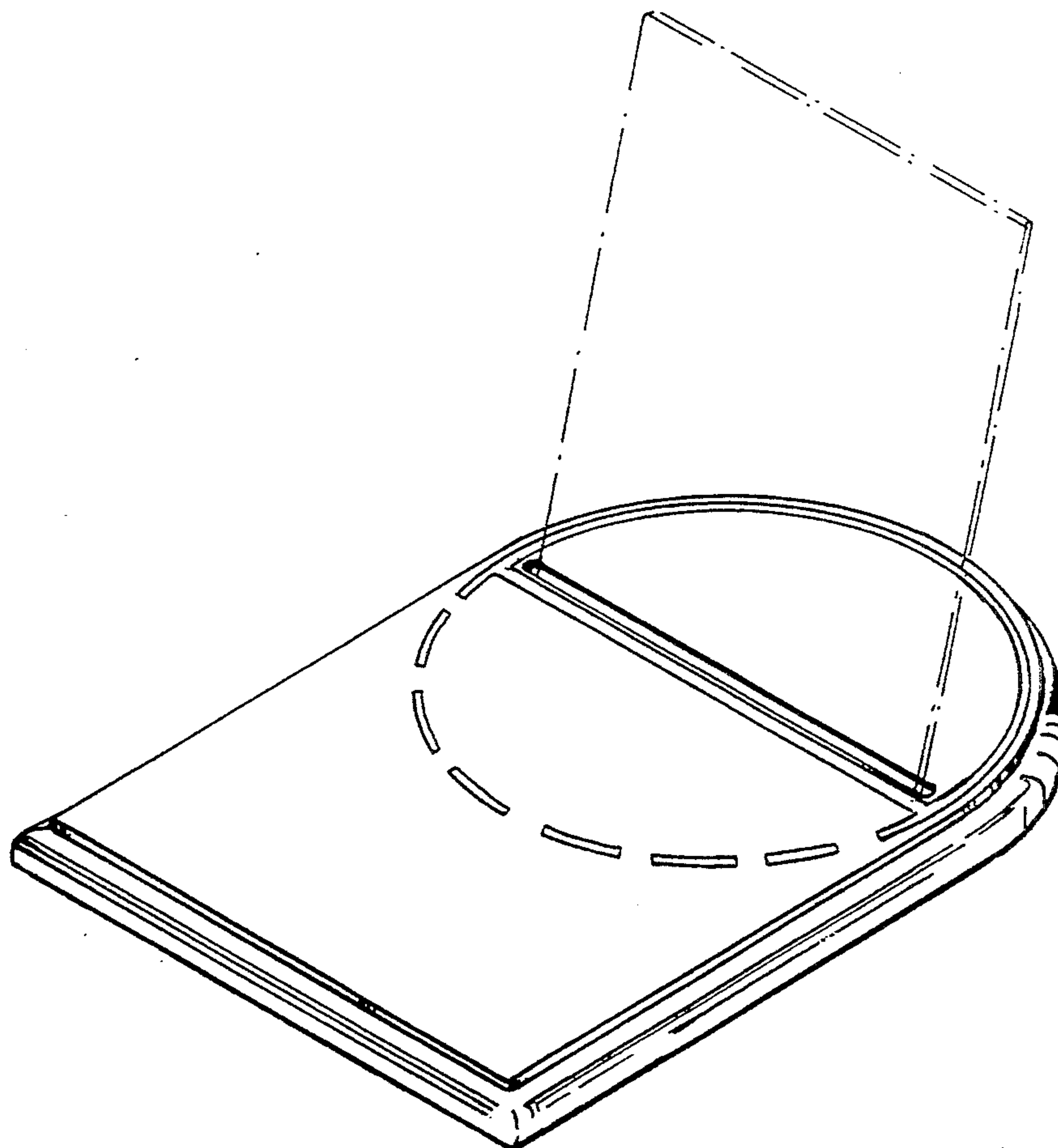
FIG. 5 is a side elevational view, the side not shown being a mirror image thereof; and,

FIG. 6 is a perspective view thereof, the rectangular planar material therein being depicted by means of broken lines for illustrative purposes only and forming no part of the claimed design.

[56] **References Cited**

**U.S. PATENT DOCUMENTS**

D. 273,961	5/1984	Bassey .....	D19/90
D. 321,911	11/1991	Brady .....	D19/97
D. 328,923	8/1992	Tu .....	D19/96
D. 350,374	9/1994	Comeau .....	D21/54
1,152,461	9/1915	Wright .....	248/473



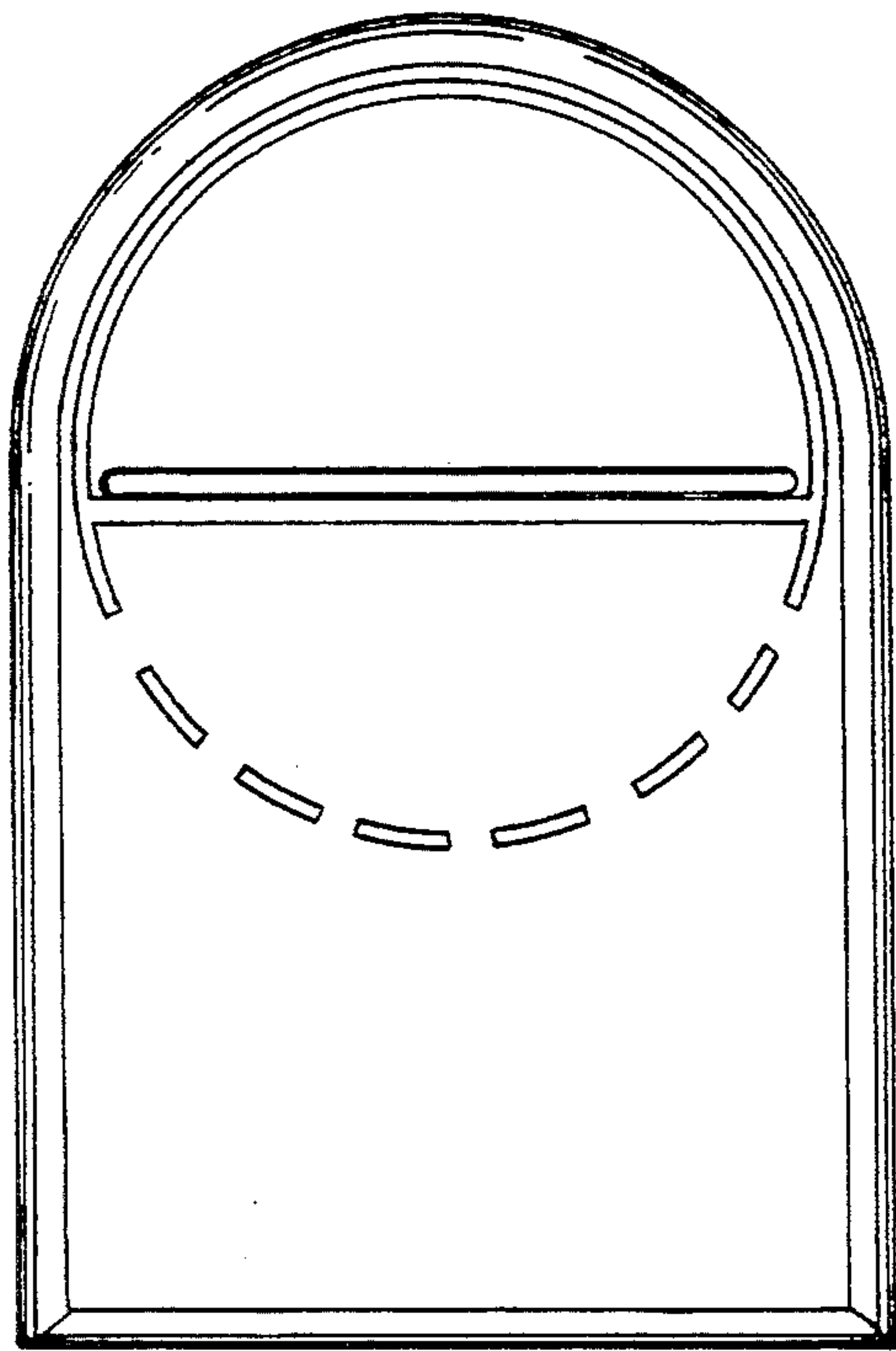


FIG. 1

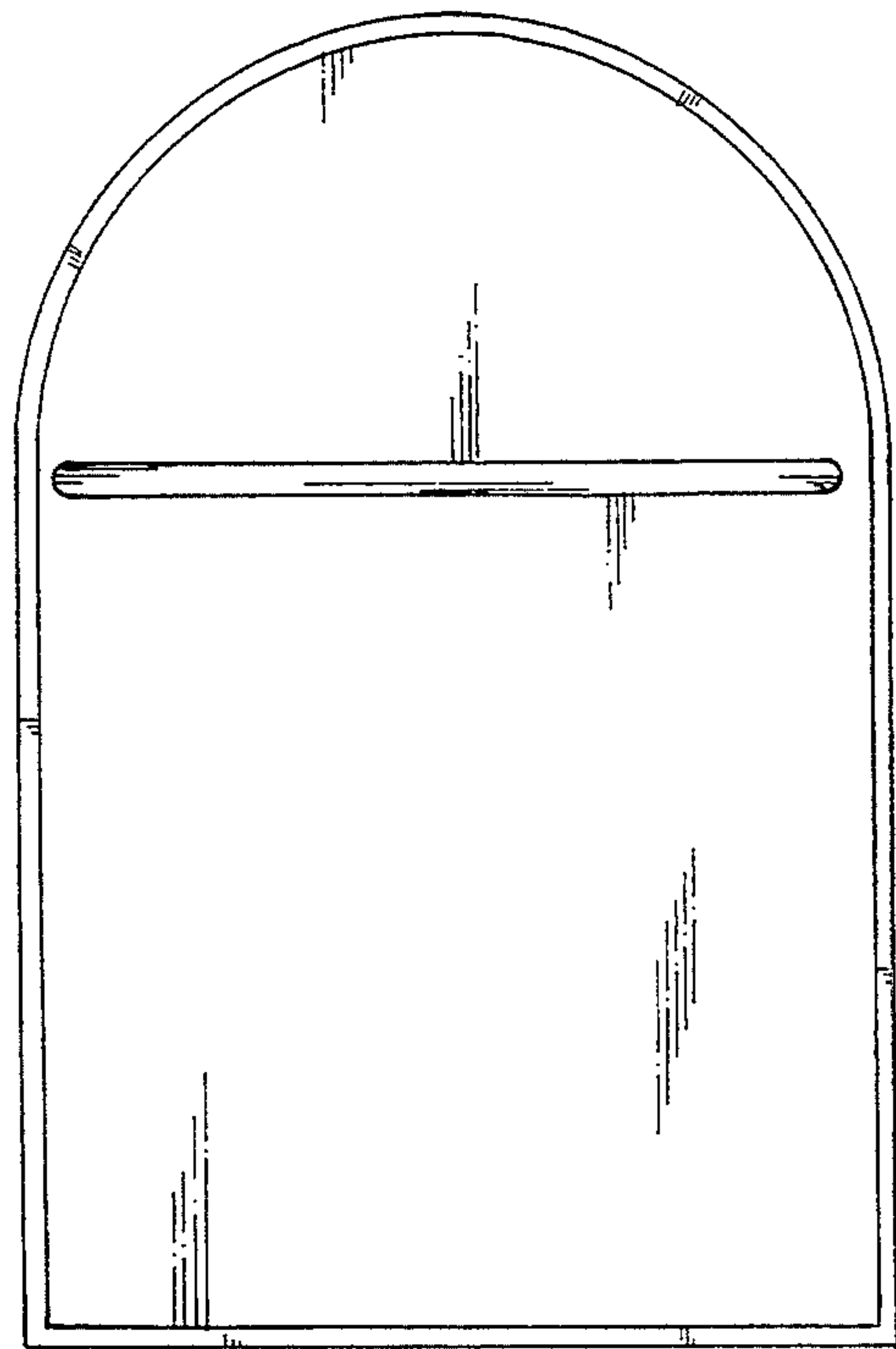


FIG. 2

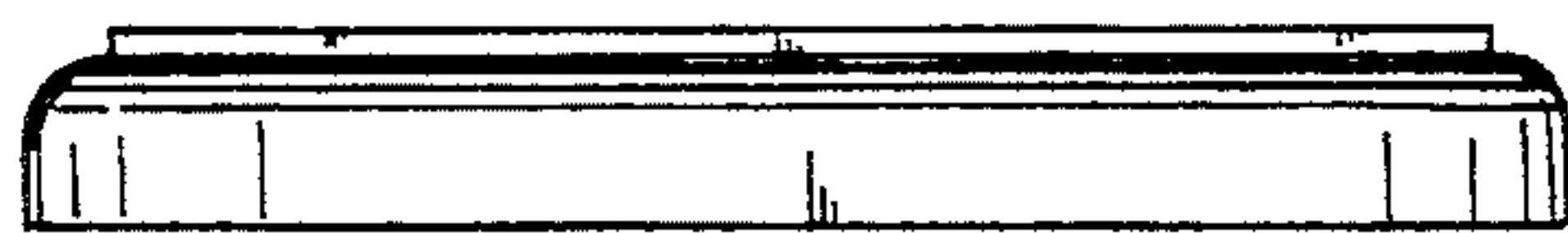


FIG. 3

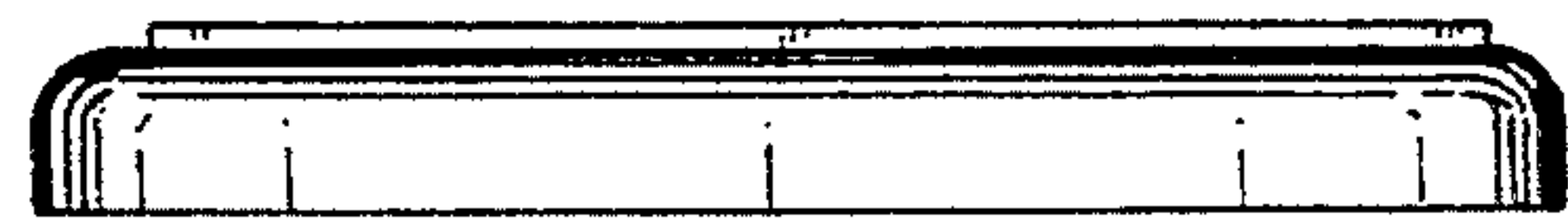


FIG. 4

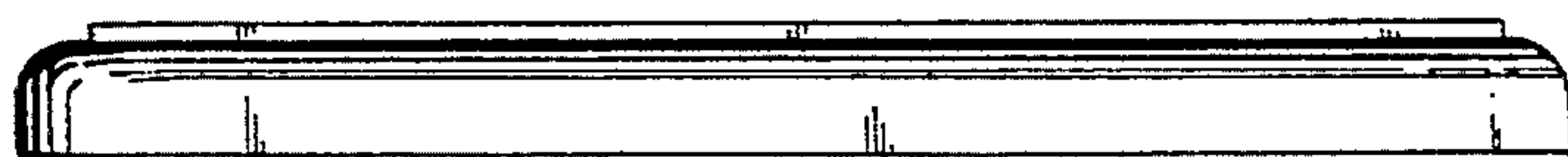


FIG. 5

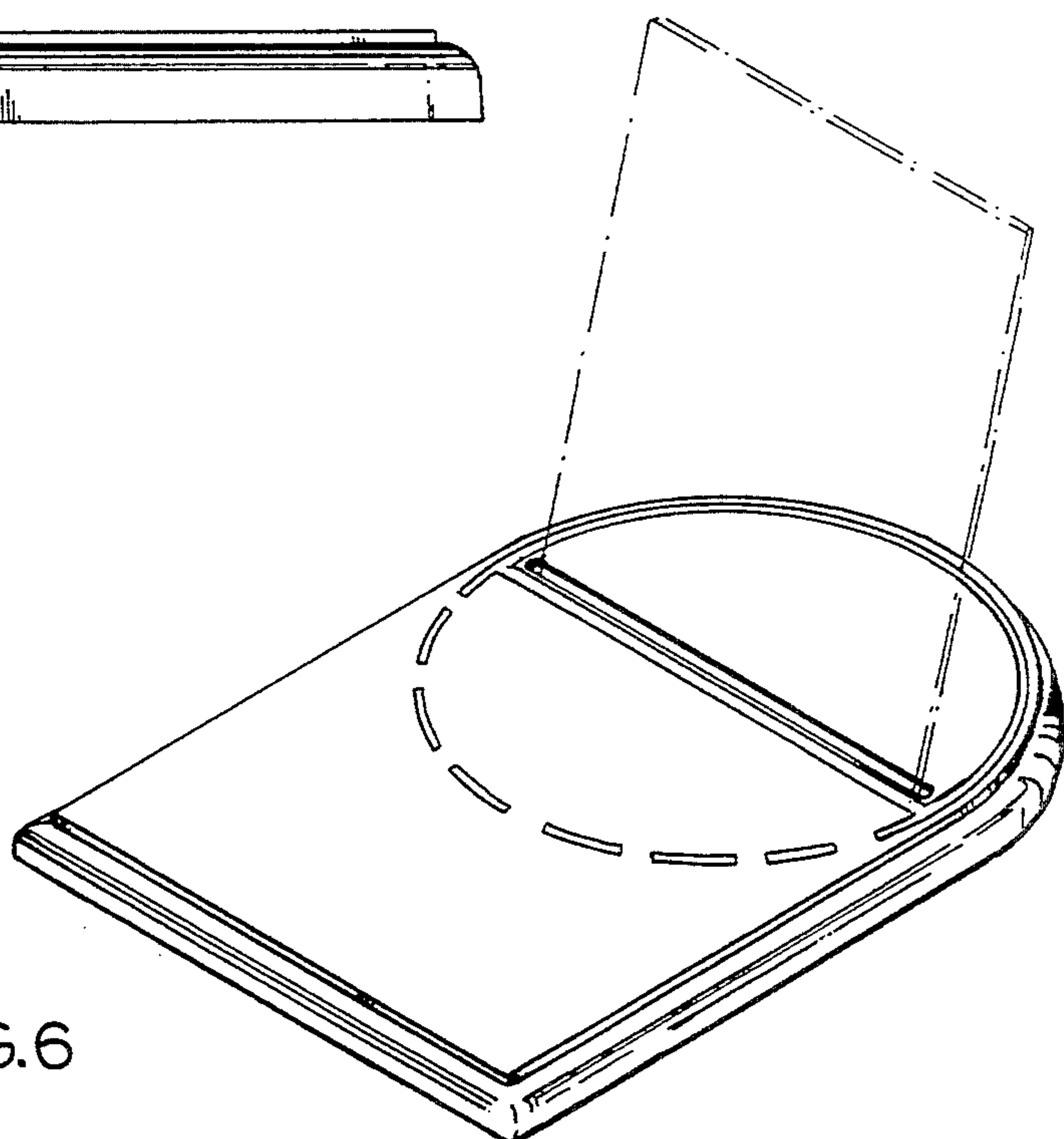


FIG. 6