



US00D357704S

United States Patent [19]

[11] Patent Number: **Des. 357,704**

Wolff

[45] Date of Patent: **** Apr. 25, 1995**

[54] DISPLAY

[76] Inventor: **Stephen H. Wolff**, 35 W. 35th St.,
New York, N.Y. 10001

[**] Term: **14 Years**

[21] Appl. No.: **886,447**

[22] Filed: **May 20, 1992**

[52] U.S. Cl. **D19/90; D6/559;**
D6/553; D20/42; D19/75

[58] Field of Search **D20/42; D19/65, 75,**
D19/77, 78, 81-85, 90, 91, 95, 99, 100; D6/475,
553, 559; 40/600, 649; 211/50

[56] **References Cited**

U.S. PATENT DOCUMENTS

- D. 185,364 6/1959 Hosch D20/42
- D. 266,913 11/1982 Hazelton D19/90 X
- D. 271,168 11/1983 Antonczyk D6/559 X
- D. 308,784 6/1990 Liptak D6/553
- D. 313,820 1/1991 Wright D19/90

- D. 321,446 11/1991 Liptak D6/475
- 3,618,238 11/1971 Willinger 40/600
- 5,078,093 1/1992 Flaherty 40/649 X
- 5,094,349 3/1992 DeVito 211/50

Primary Examiner—Martie Thompson
Attorney, Agent, or Firm—Lerner, David, Littenberg,
Krumholz & Mentlik

[57] CLAIM

The ornamental design for a display, as shown and described.

DESCRIPTION

FIG. 1 is a front perspective view of a display showing my new design;
 FIG. 2 is a top plan view;
 FIG. 3 is a front elevational view (rear elevational view is identical);
 FIG. 4 is a right side view (left side view is identical);
 and,
 FIG. 5 is a bottom plan view.

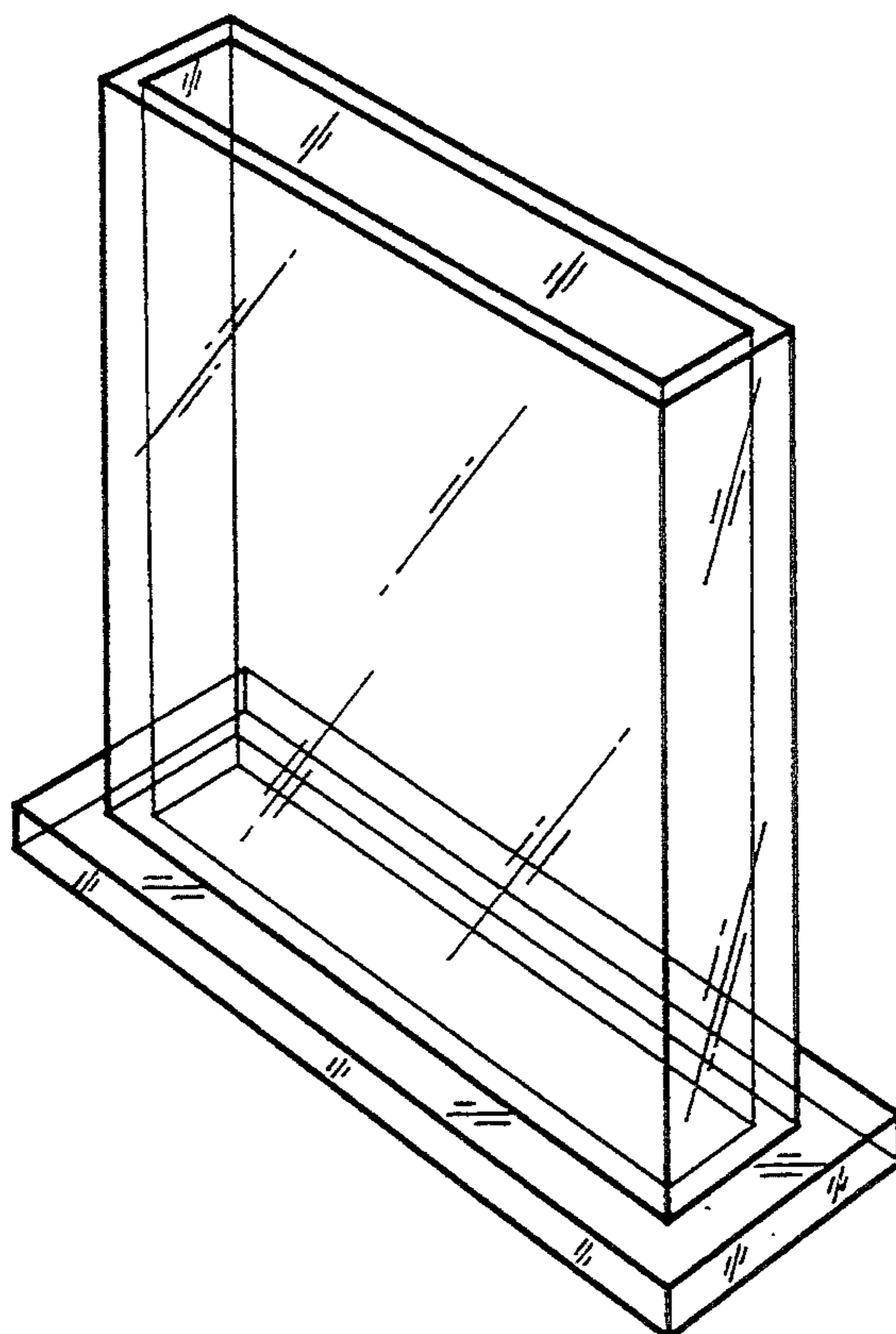


FIG. 1

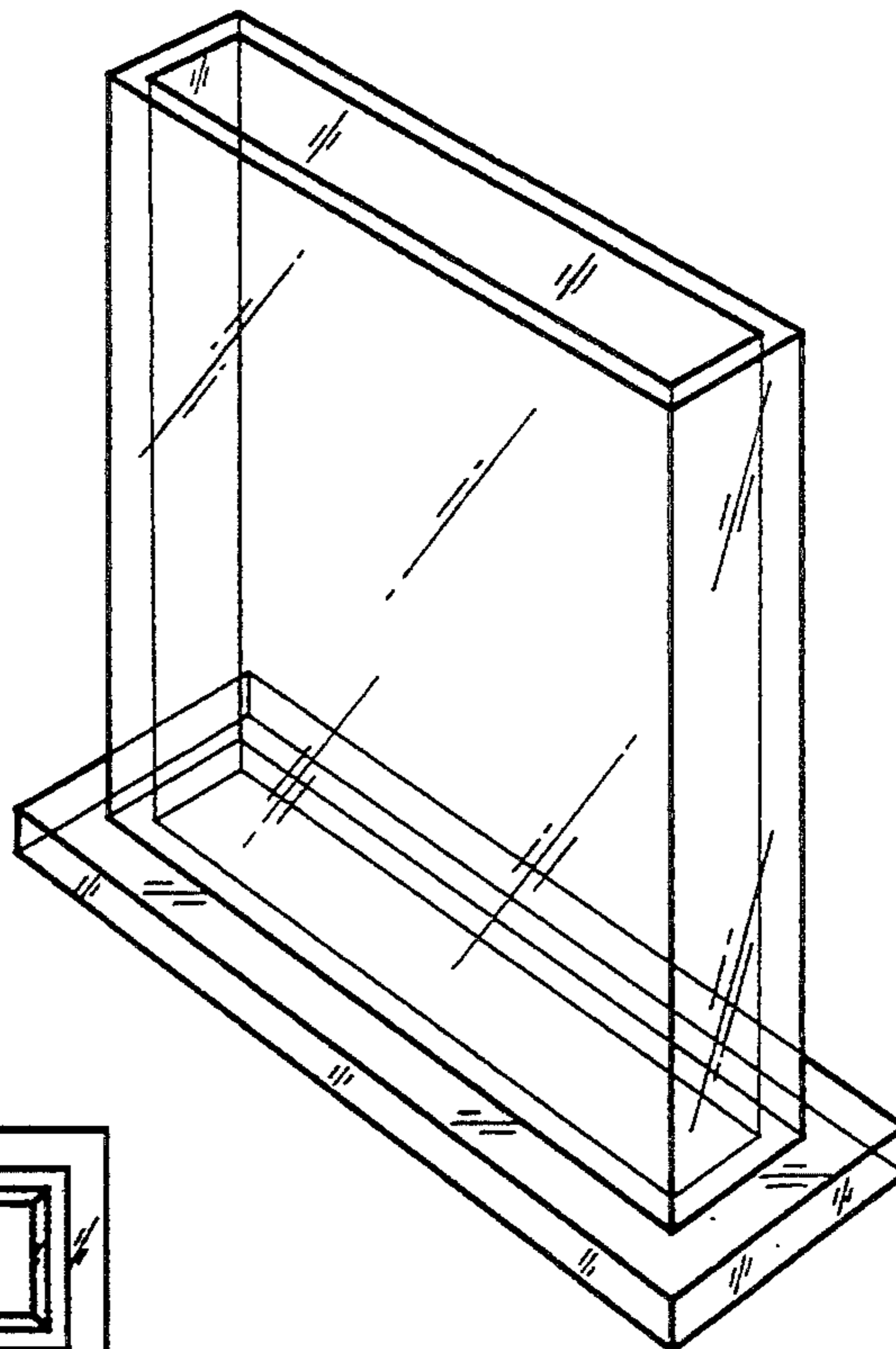


FIG. 2

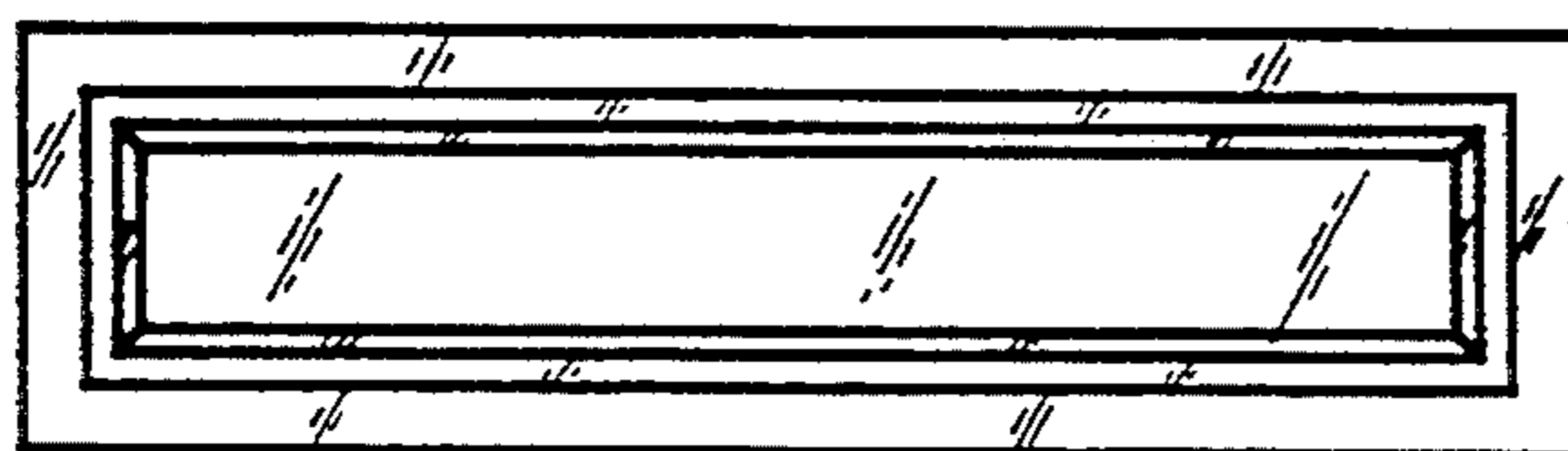


FIG. 3

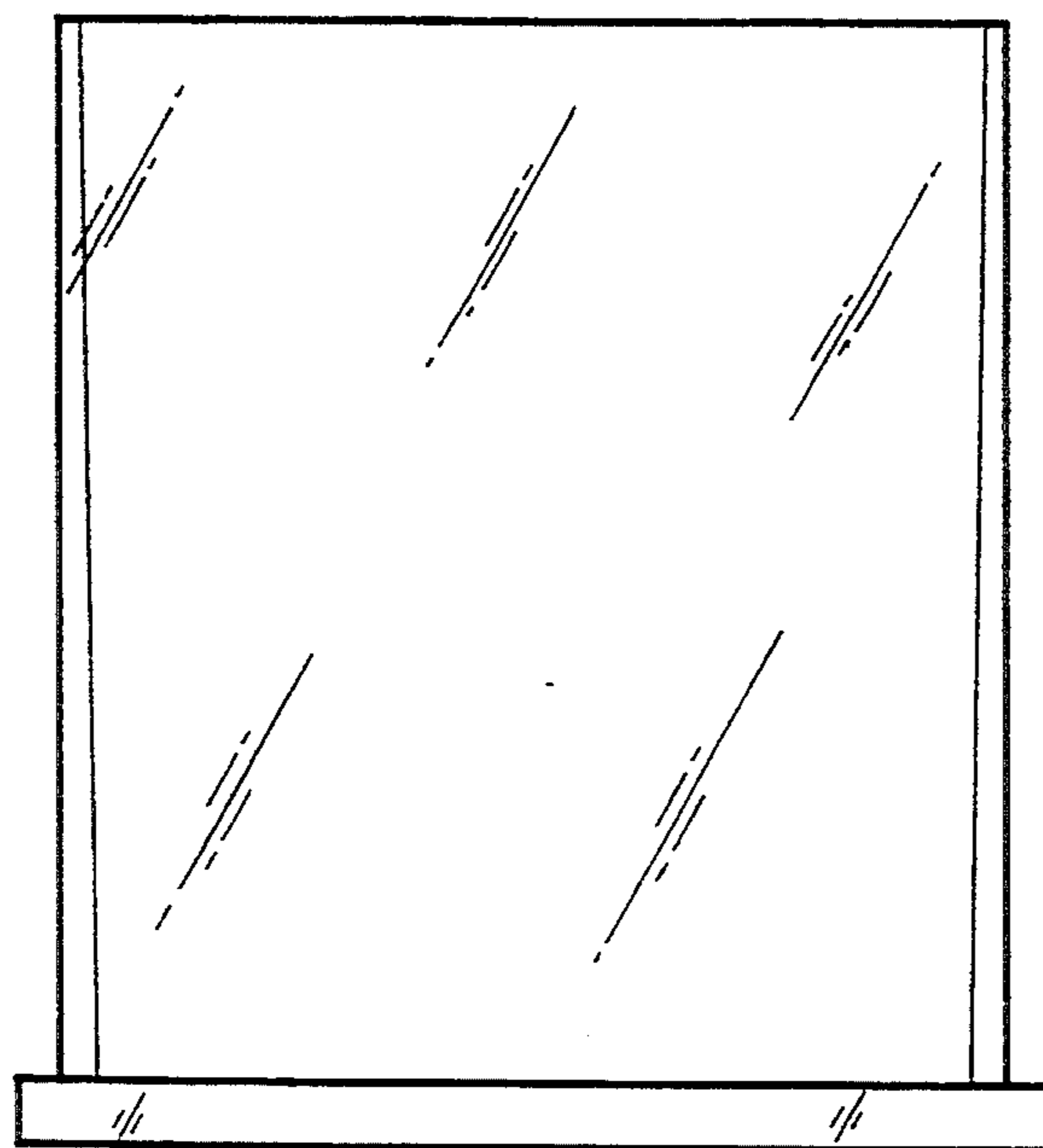


FIG. 4

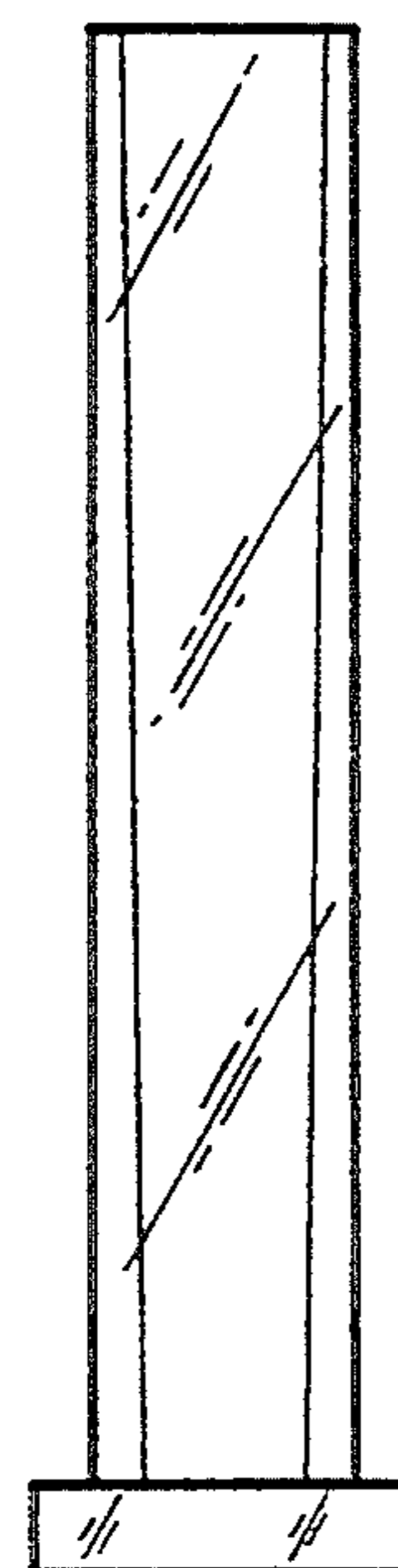


FIG. 5

