



US00D357697S

United States Patent [19]

[11] Patent Number: **Des. 357,697**

Tashiro

[45] Date of Patent: **** Apr. 25, 1995**

[54] PAPER EJECTING TRAY FOR PRINTER

[75] Inventor: **Naoki Tashiro**, Kawasaki, Japan

[73] Assignee: **Canon Kabushiki Kaisha**, Tokyo, Japan

[**] Term: **14 Years**

[21] Appl. No.: **6,164**

[22] Filed: **Mar. 22, 1993**

[30] **Foreign Application Priority Data**

Sep. 25, 1992 [JP] Japan 4-28044

[52] U.S. Cl. **D18/49; D18/46**

[58] Field of Search D18/12, 46, 49, 56;
D14/110-114; 226/74; 271/2.1, 3, 8.1, 9, 10;
355/308, 309; 400/578, 624-629, 636, 642,
636.2, 646, 647, 647.1, 689-694

[56] **References Cited**

U.S. PATENT DOCUMENTS

D. 277,872 3/1985 Rünzl D18/12 X

D. 304,956 12/1989 Omino et al. D18/12 X
D. 321,901 11/1991 Uchibori et al. D18/49
D. 323,184 1/1992 Sugawara D18/49 X
4,747,718 5/1988 Shimizu D18/49 X
5,073,055 12/1991 Takagi et al. D18/49 X

Primary Examiner—Alan P. Douglas
Assistant Examiner—Caron D. Veynar
Attorney, Agent, or Firm—Fitzpatrick, Cella, Harper & Scinto

[57] **CLAIM**

The ornamental design for a paper ejecting tray for printer, as shown and described.

DESCRIPTION

FIG. 1 is a front elevational view of a paper ejecting tray for printer showing my new design; FIG. 2 is a rear elevational view thereof; FIG. 3 is a top plan view thereof; FIG. 4 is a bottom plan view thereof; FIG. 5 is a left side elevational view thereof; FIG. 6 is a right side elevational view thereof; and, FIG. 7 is a perspective view thereof.

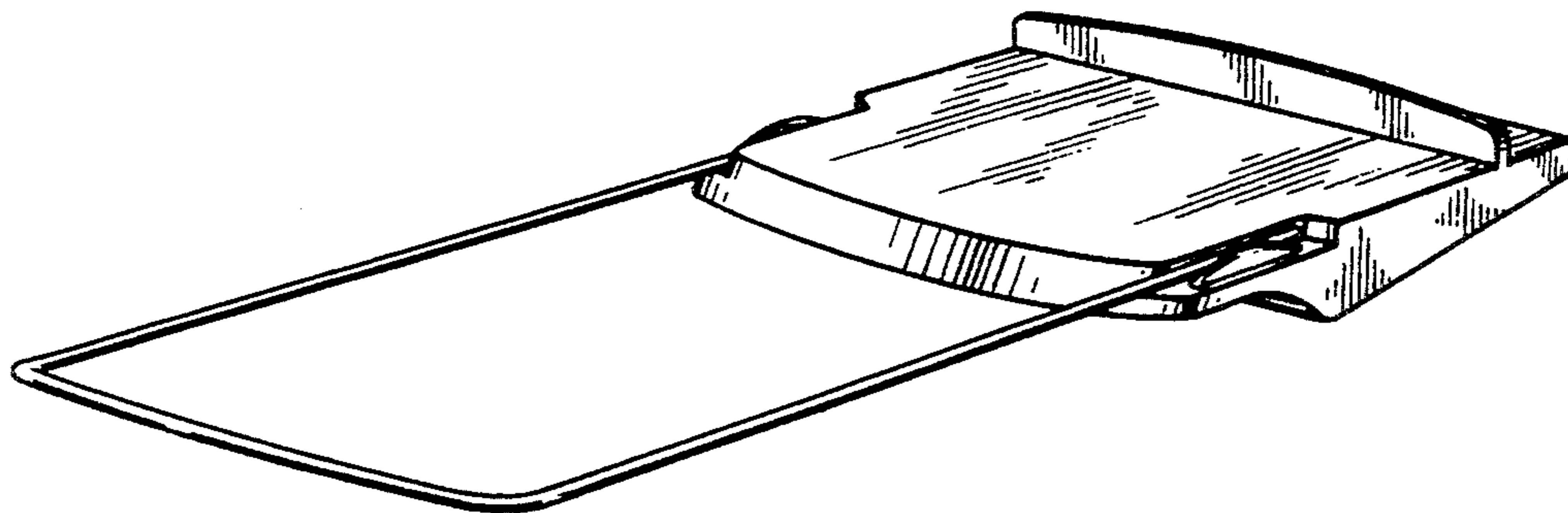


FIG. 1

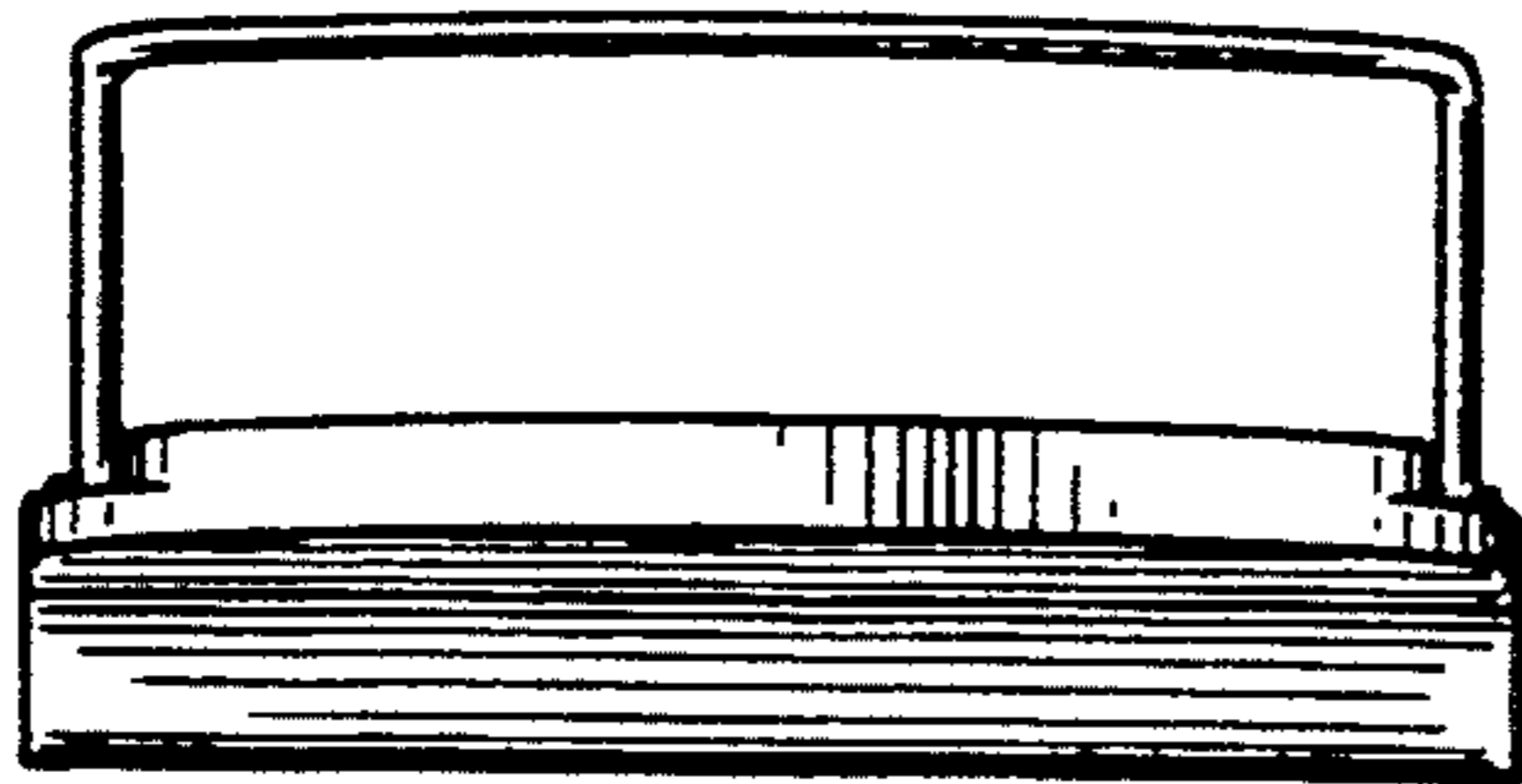


FIG. 2



FIG. 3

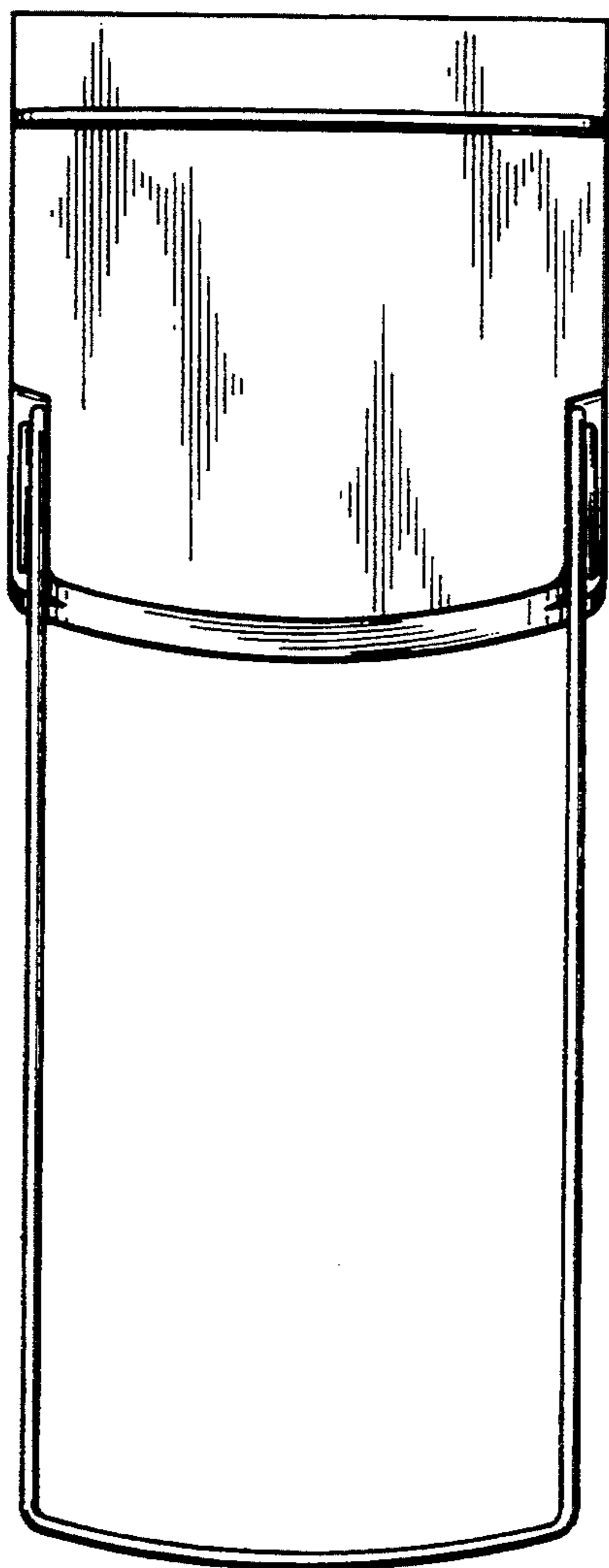


FIG. 4

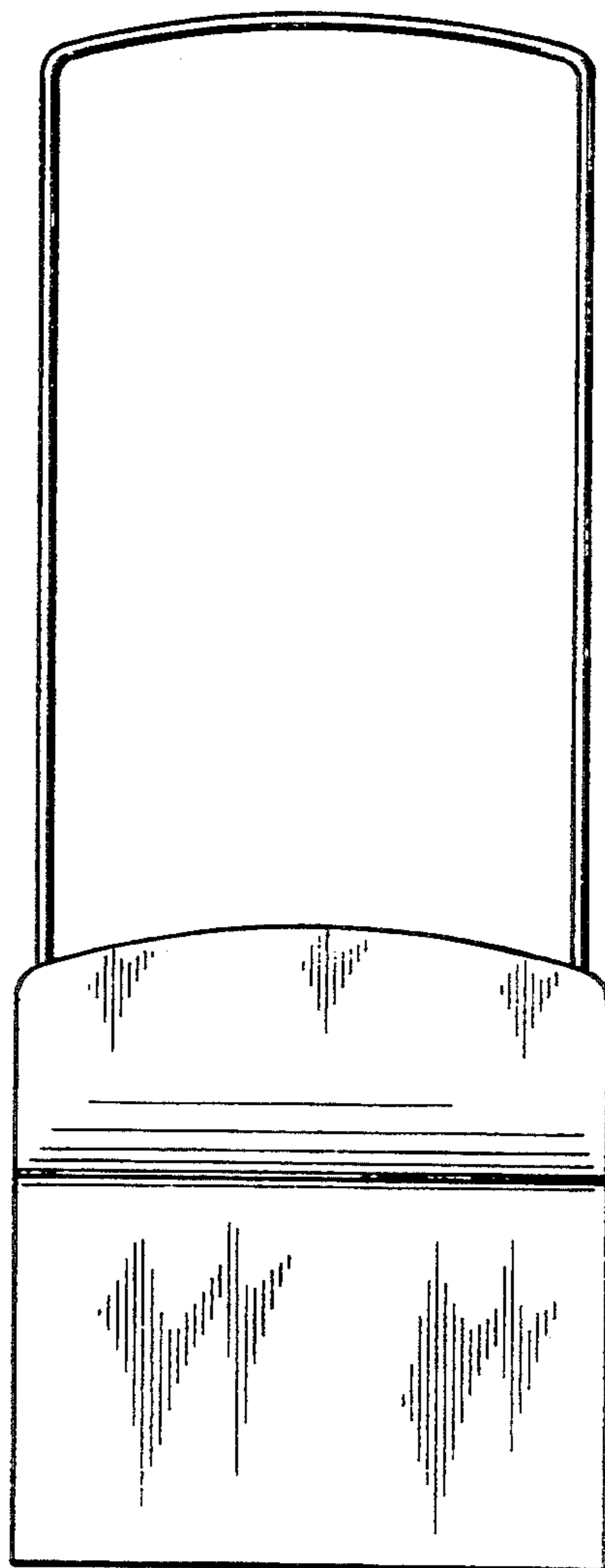


FIG. 5

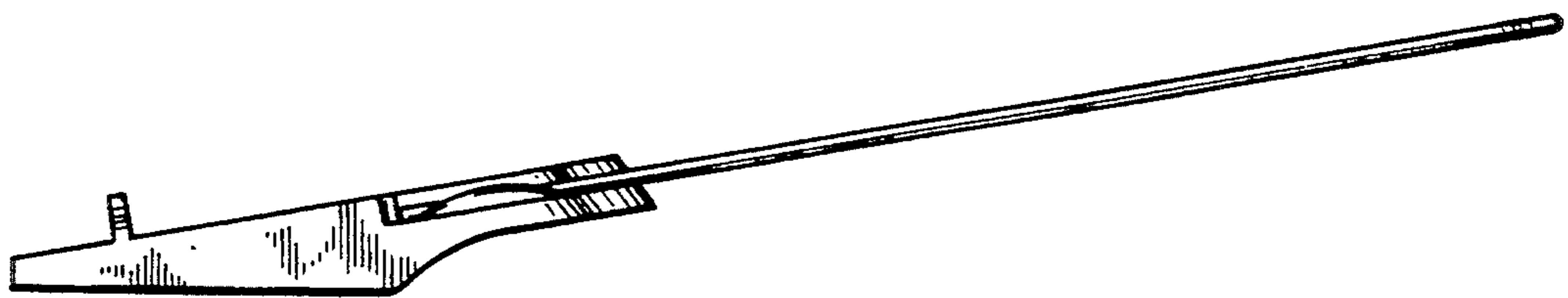


FIG. 6

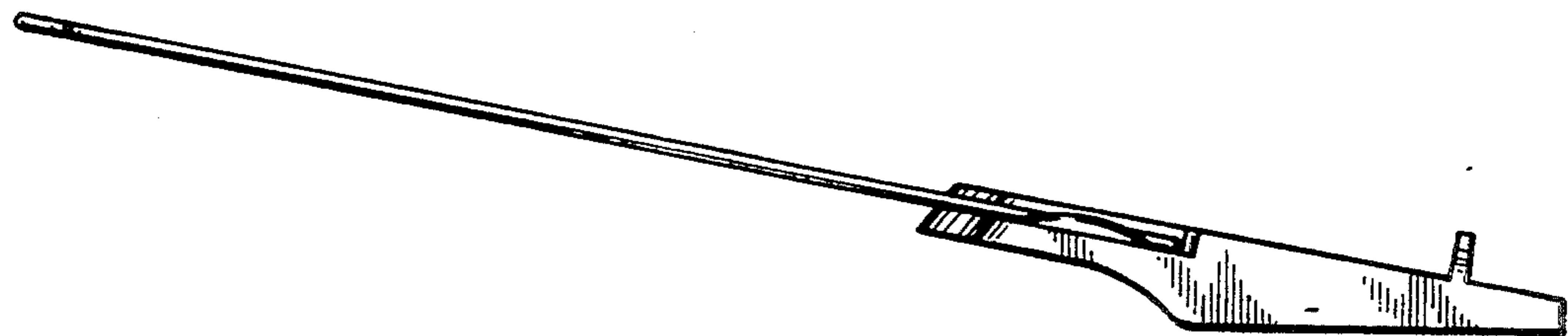


FIG. 7

