



US00D357694S

# United States Patent [19]

[11] Patent Number: **Des. 357,694**

**Kirkpatrick**

[45] Date of Patent: **\*\* Apr. 25, 1995**

[54] **COMBINED GEMSTONE DISPLAY STAND AND MAGNIFIER**

5,311,365 5/1994 Klearman et al. .... 359/804

[76] Inventor: **Herman G. Kirkpatrick, 9801 Cedar Dr., Overland Park, Kans. 66207**

*Primary Examiner*—A. Hugo Word  
*Assistant Examiner*—Catherine R. Oliver  
*Attorney, Agent, or Firm*—Shook, Hardy & Bacon

[\*\*] Term: **14 Years**

[57] **CLAIM**

[21] Appl. No.: **13,464**

The ornamental design for a combined gemstone display stand and magnifier, as shown and described.

[22] Filed: **Sep. 24, 1993**

**DESCRIPTION**

[52] U.S. Cl. .... **D16/135; D16/130; D20/10**

[58] **Field of Search** ..... D16/135, 136; D8/71, D8/72; 248/125, 405, 346; 359/803, 804, 818, 809, 811, 819, 802; D28/55; 81/4, 3.44, 7, 3.15, 3.31, 3.32, 44; 261/DIG. 14; D20/10

FIG. 1 is a perspective view of the combined gemstone display stand and magnifier according to the present invention;

FIG. 2 is an elevational view of one side of the combined gemstone display stand and magnifier, the opposite side being substantially identical thereto;

FIG. 3 is a top plan view of the combined gemstone display stand and magnifier according to the present invention;

FIG. 4 is an elevational view of one end thereof;

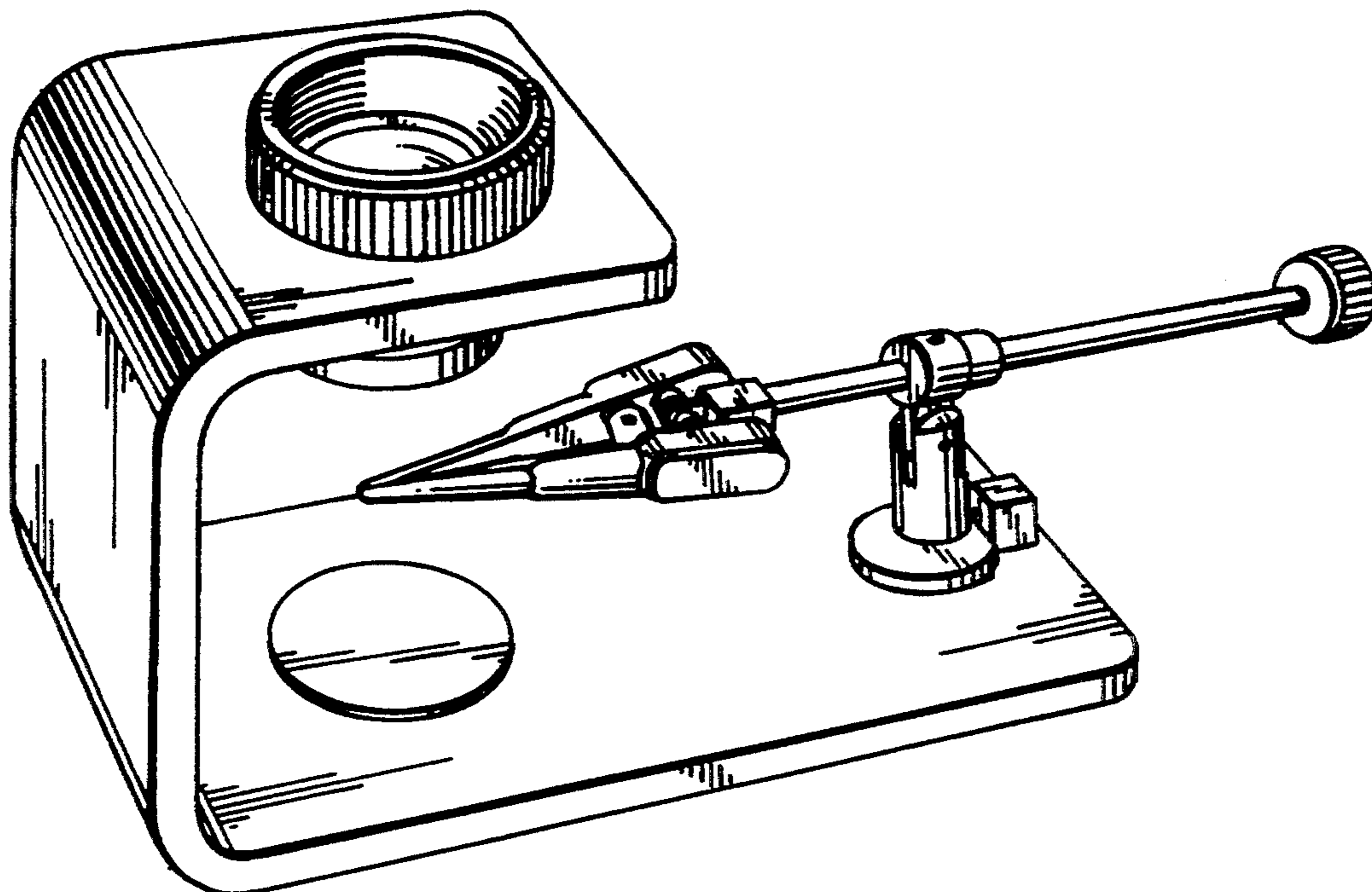
FIG. 5 is an elevational view of the opposite end of the combined gemstone display stand and magnifier according to the present invention; and,

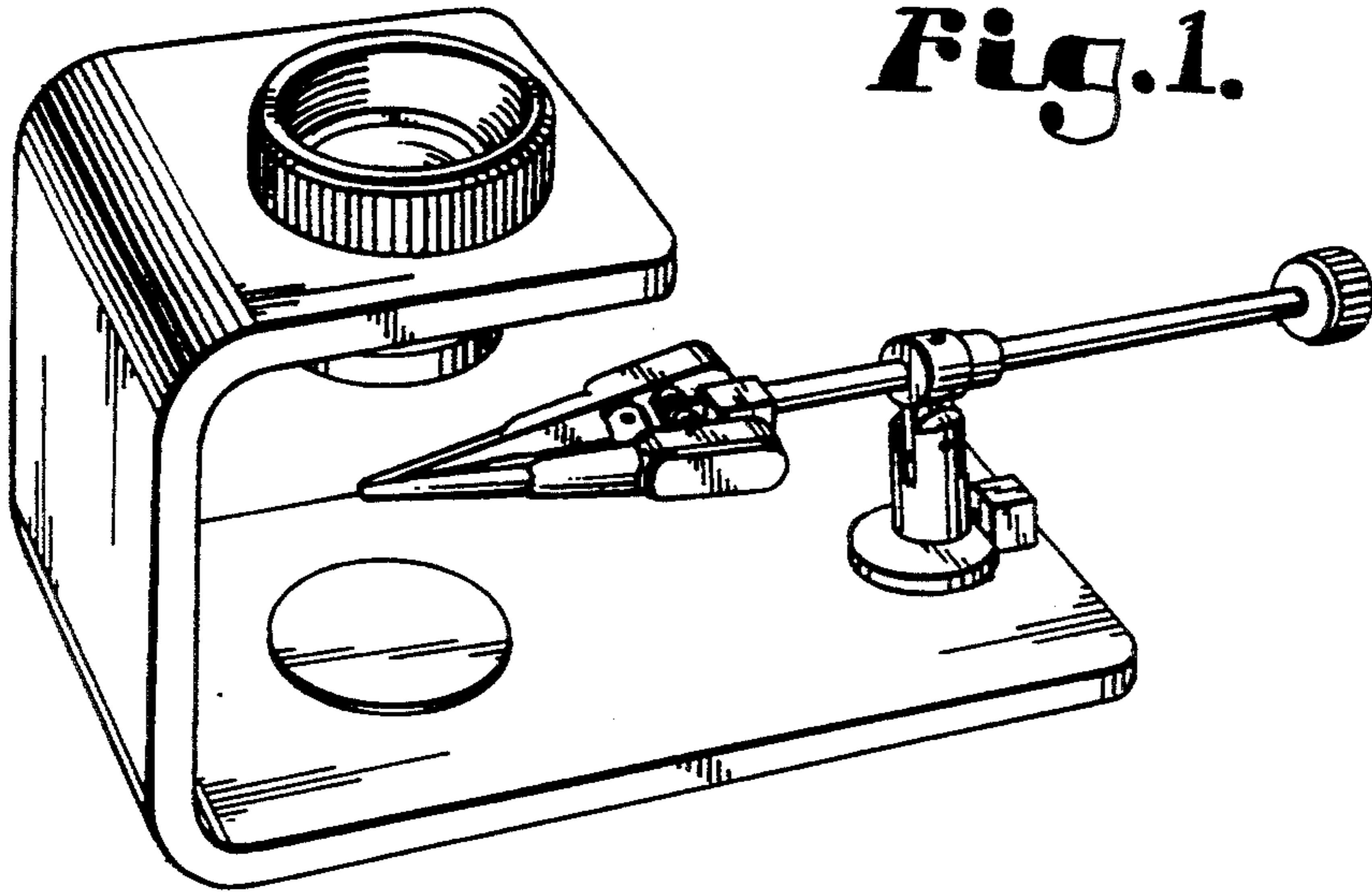
FIG. 6 is a bottom plan view thereof.

[56] **References Cited**

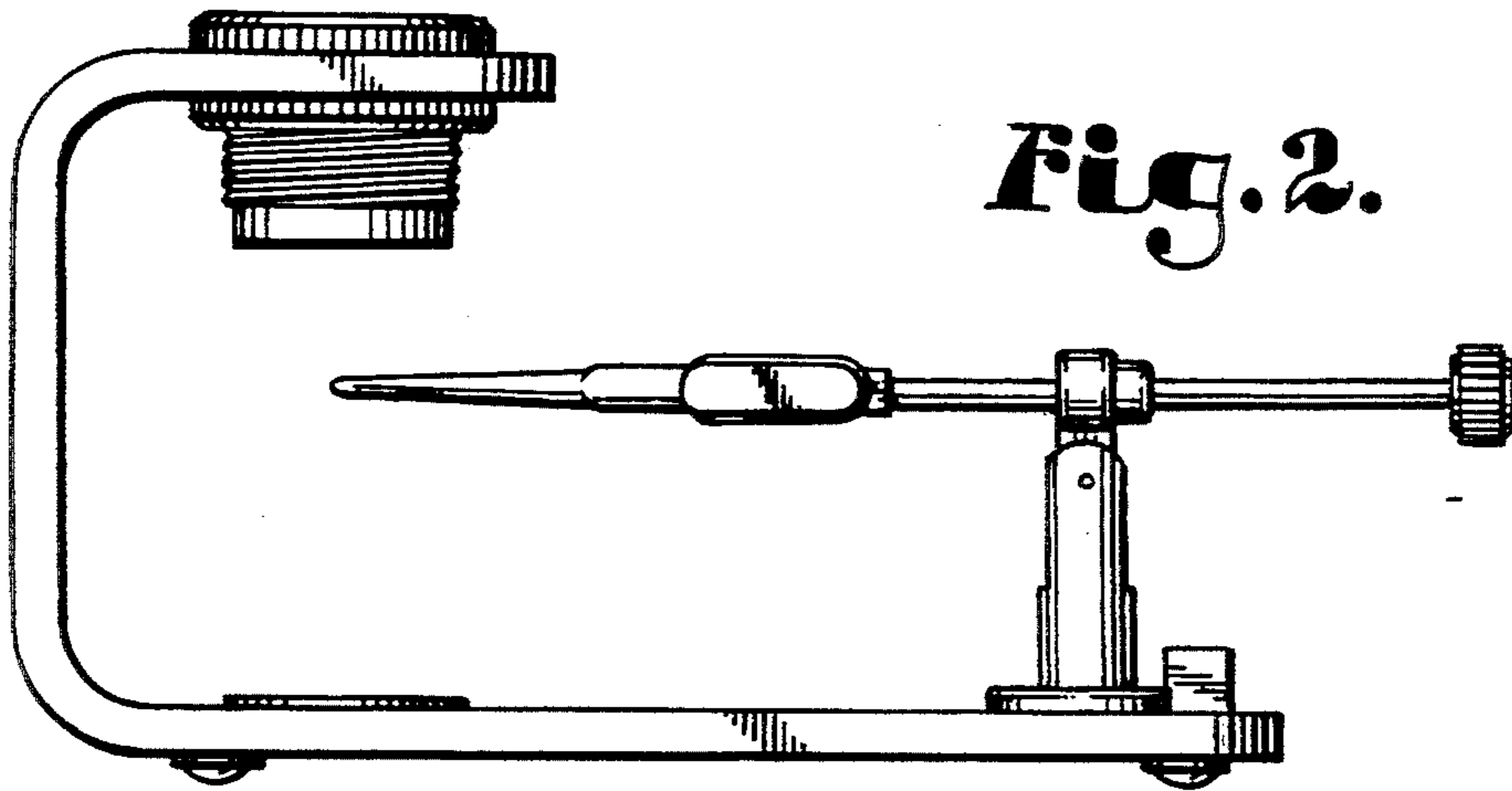
**U.S. PATENT DOCUMENTS**

|           |         |             |       |           |
|-----------|---------|-------------|-------|-----------|
| 1,001,991 | 8/1911  | Salé        | ..... | 359/804   |
| 1,702,317 | 2/1929  | Rose        | ..... | D16/135 X |
| 2,533,747 | 3/1950  | Thienemann  | ..... | 359/804   |
| 3,628,871 | 12/1971 | Himmelstrup | ..... | 359/802 X |
| 4,763,986 | 8/1988  | Sego        | ..... | D16/135 X |



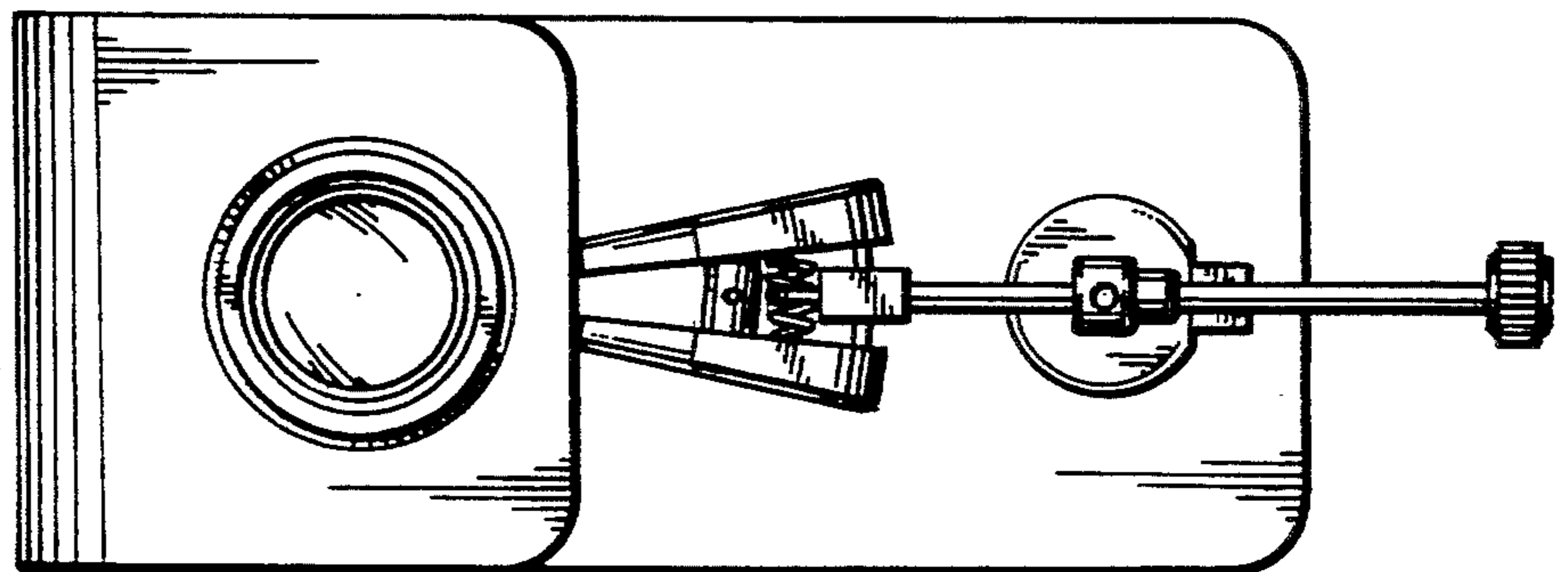


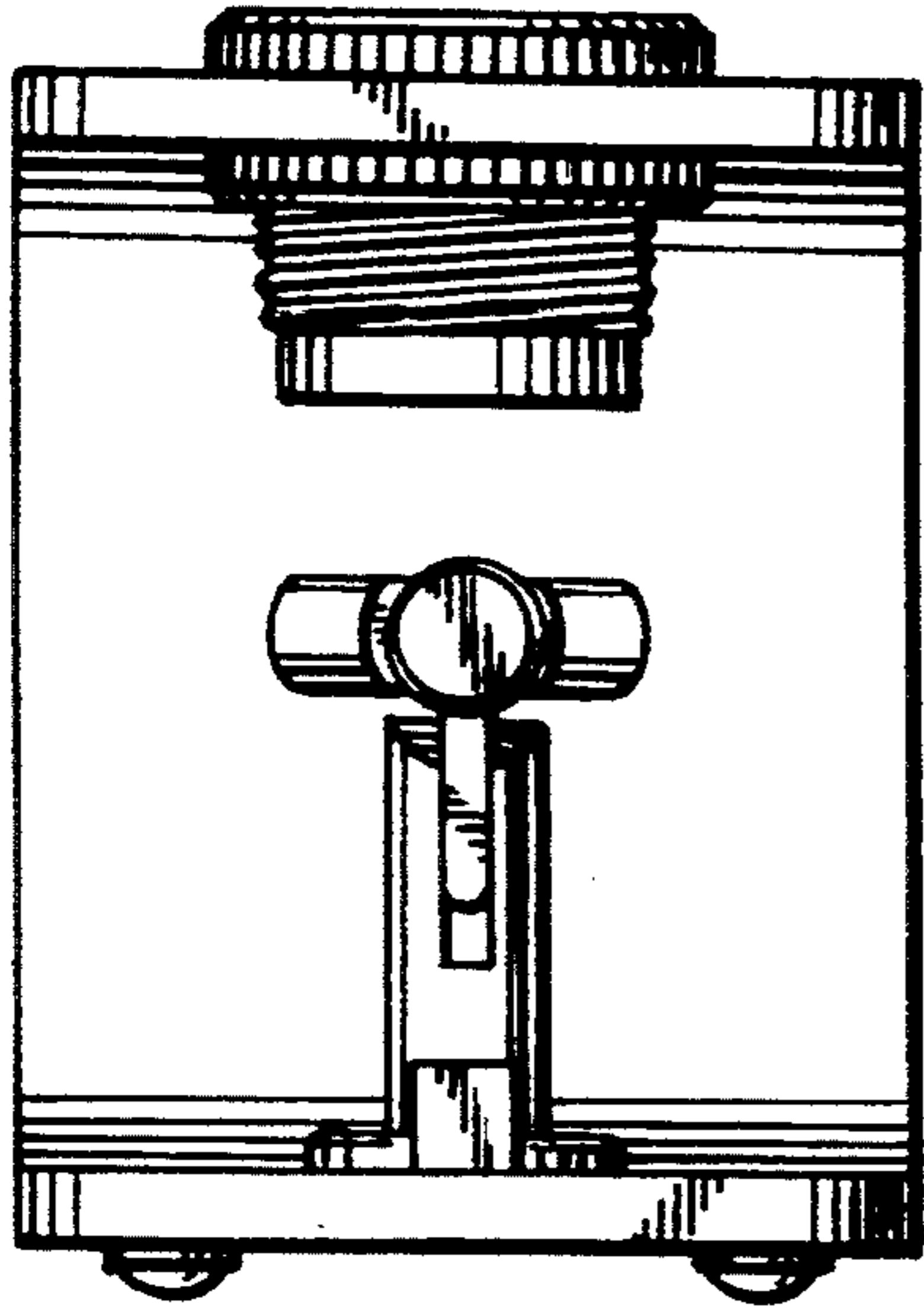
*Fig. 1.*



*Fig. 2.*

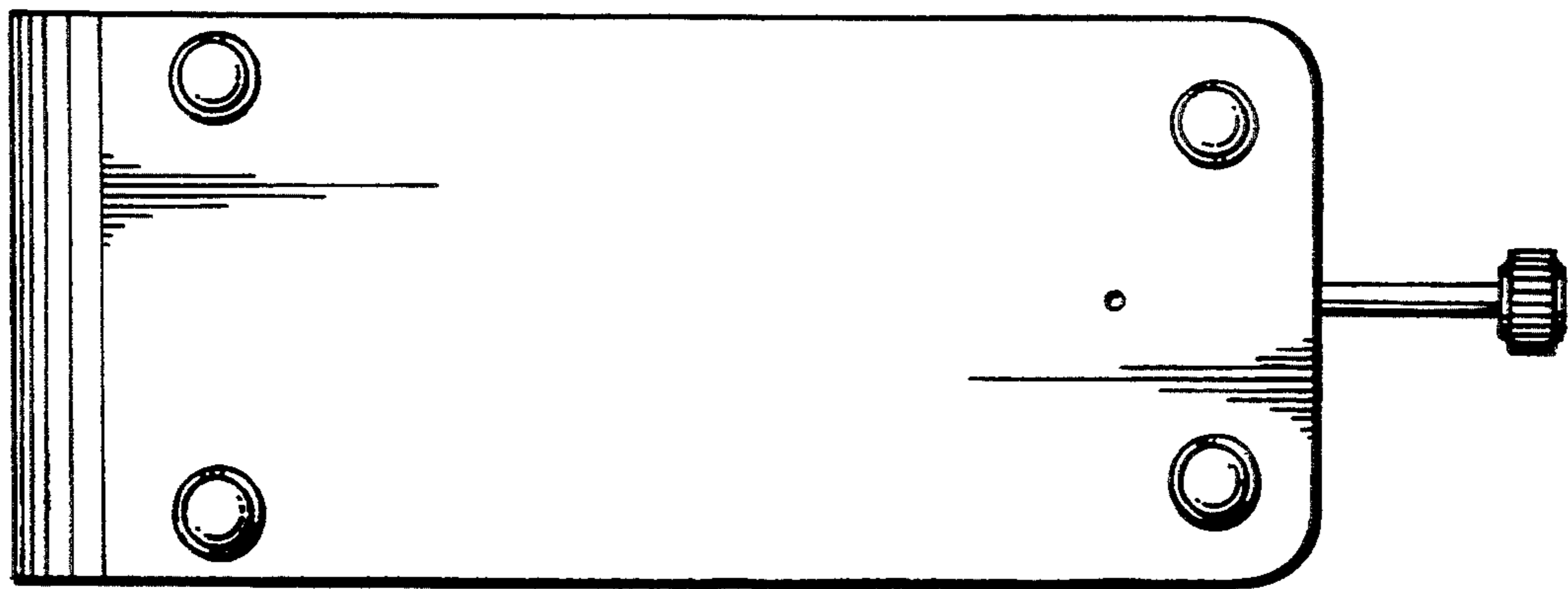
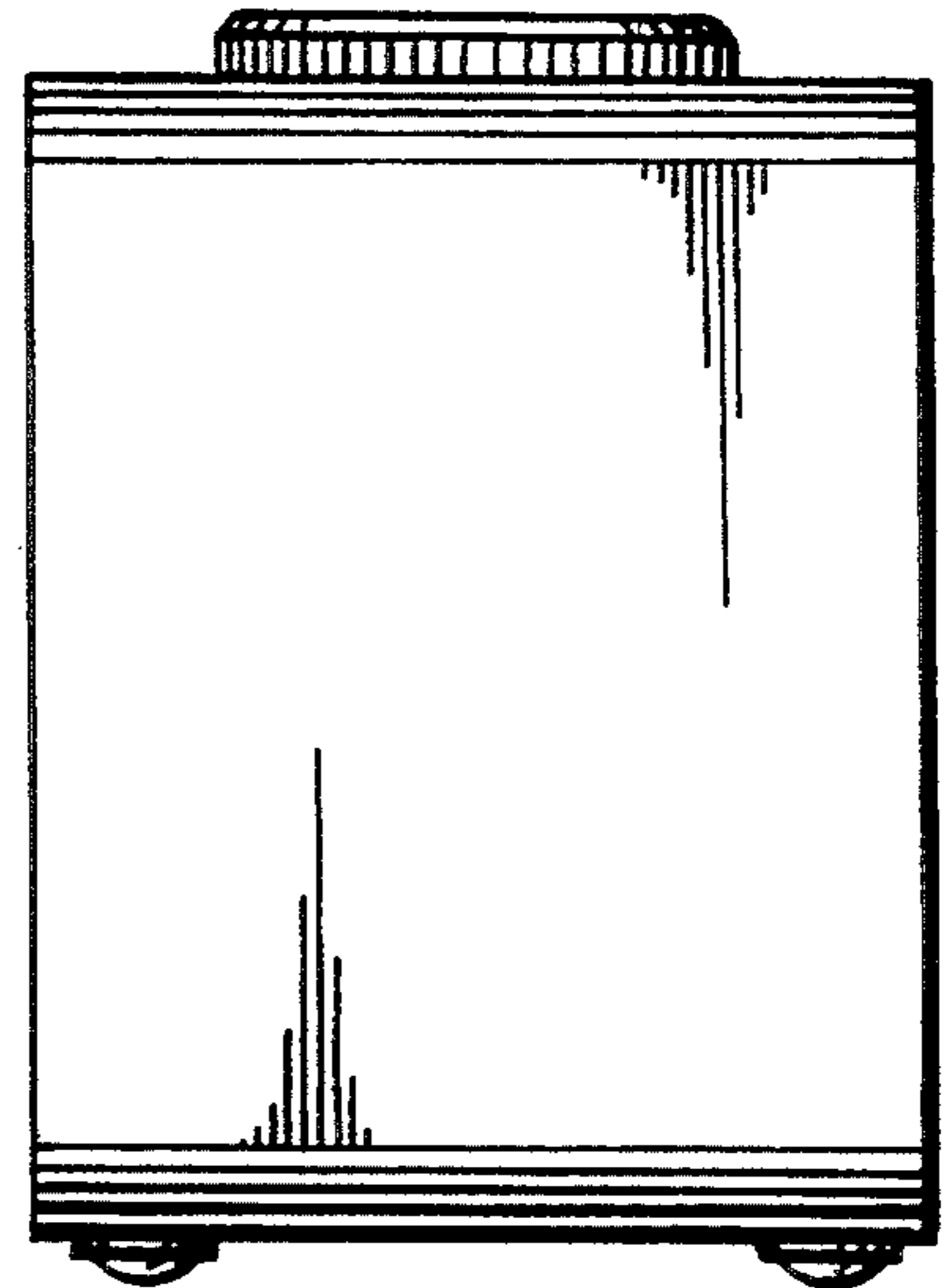
*Fig. 3.*





*Fig. 4.*

*Fig. 5.*



*Fig. 6.*