



US00D357693S

United States Patent [19]

Niebauer

[11] Patent Number: **Des. 357,693**

[45] Date of Patent: **** Apr. 25, 1995**

[54] **CUTTING TOOL INSERT**

[75] Inventor: **Kenneth L. Niebauer, Raleigh, N.C.**

[73] Assignee: **Kennametal Inc., Latrobe, Pa.**

[**] Term: **14 Years**

[21] Appl. No.: **20,212**

[22] Filed: **Mar. 22, 1994**

[52] U.S. Cl. **D15/139**

[58] Field of Search **D15/139; 407/110, 111, 407/112, 113, 114, 115, 116**

[56] **References Cited**

U.S. PATENT DOCUMENTS

- D. 304,949 12/1989 Niebauer D15/139
- D. 305,239 12/1989 Niebauer D15/139

- D. 311,010 10/1990 Niebauer D15/139
- 5,246,315 9/1993 Hansson et al. 407/114

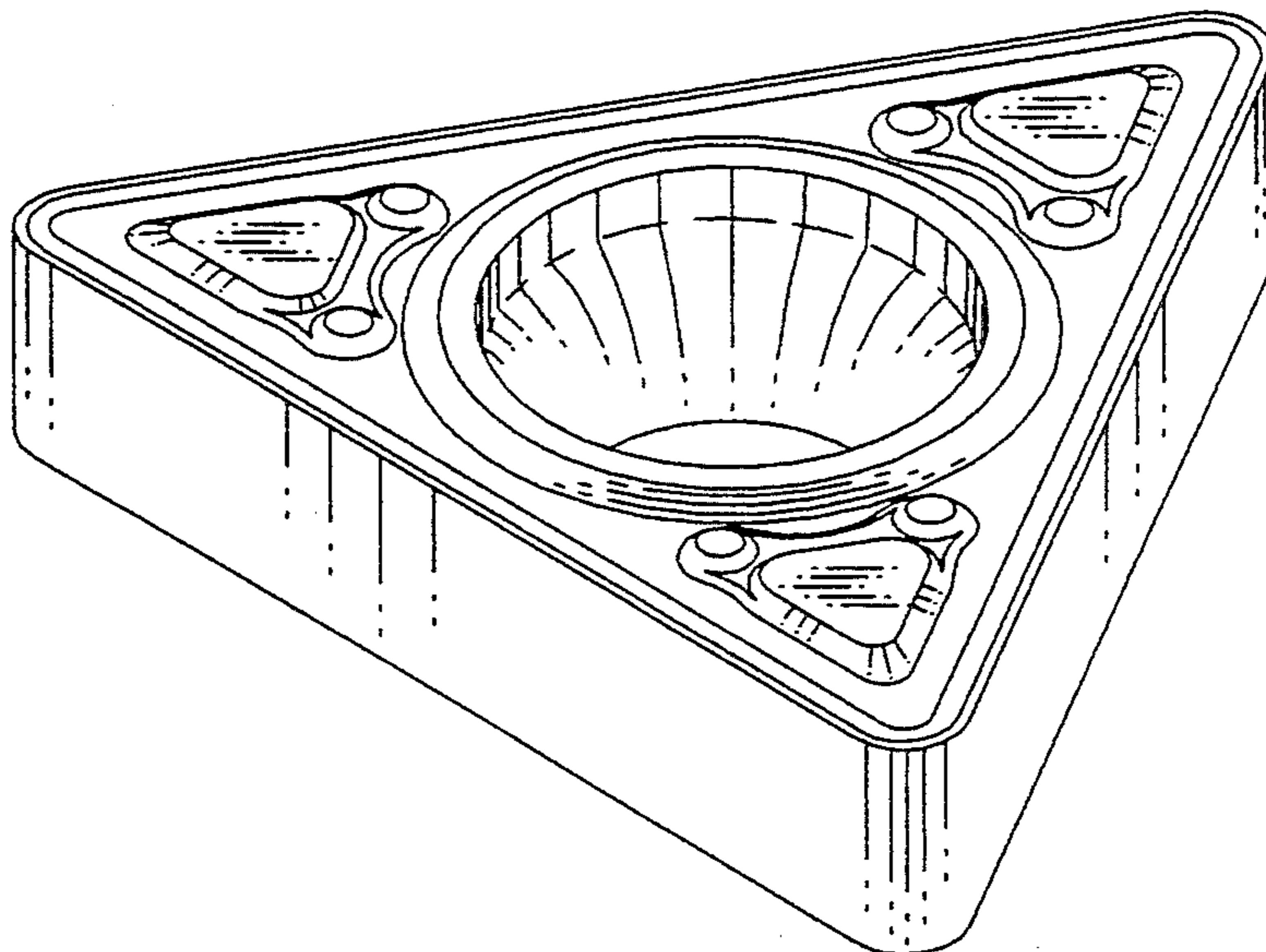
Primary Examiner—Alan P. Douglas
Assistant Examiner—Antoine D. Davis
Attorney, Agent, or Firm—James G. Porcelli

[57] **CLAIM**

The ornamental design for a cutting tool insert, as shown and described.

DESCRIPTION

FIG. 1 is a perspective view of a cutting tool insert showing my new design;
 FIG. 2 is a top plan view;
 FIG. 3 is a side elevational view, all remaining sides being identical thereto; and,
 FIG. 4 is a cross-sectional view taken along line IV—IV in FIG. 2.



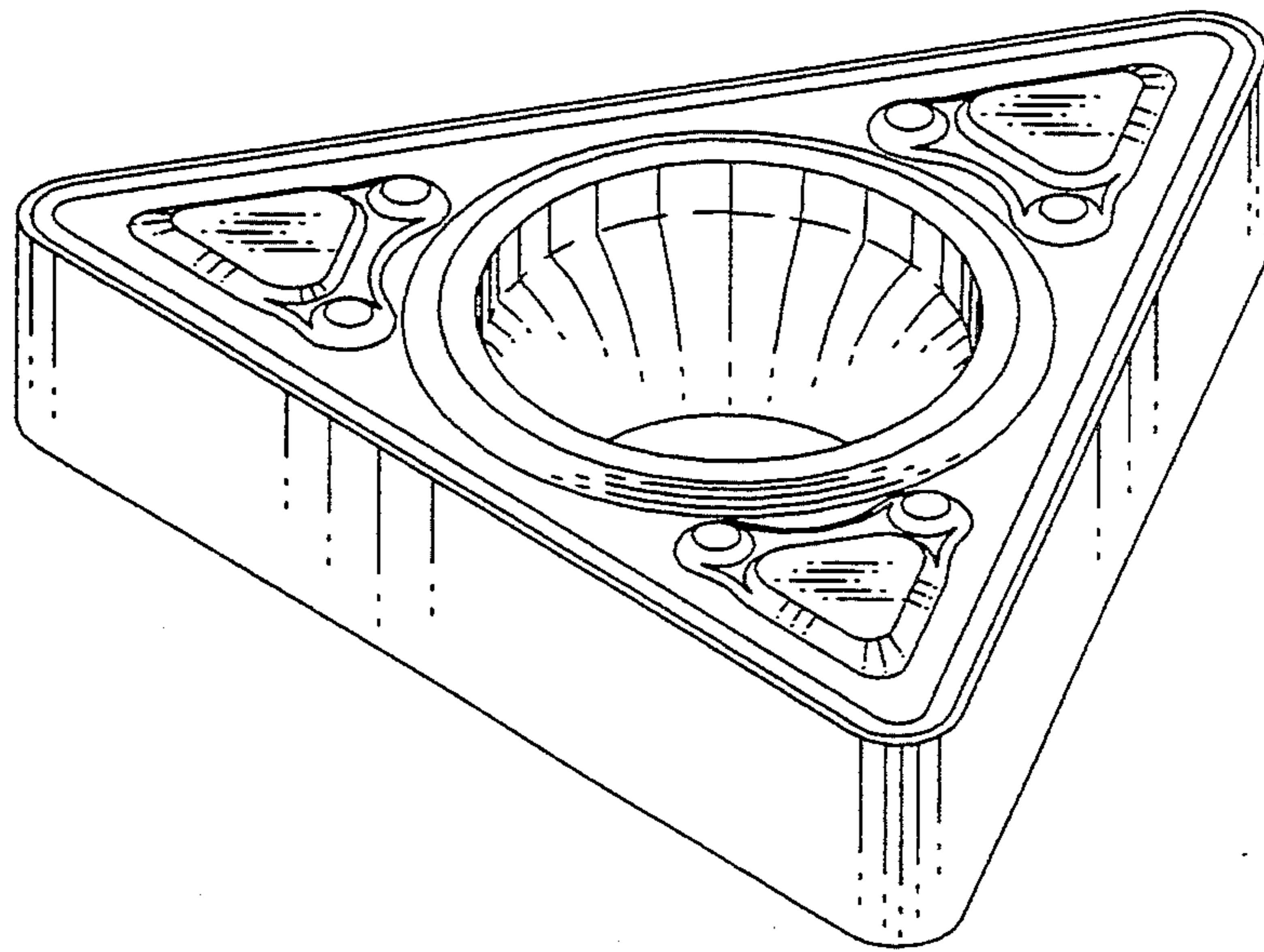


Figure 1

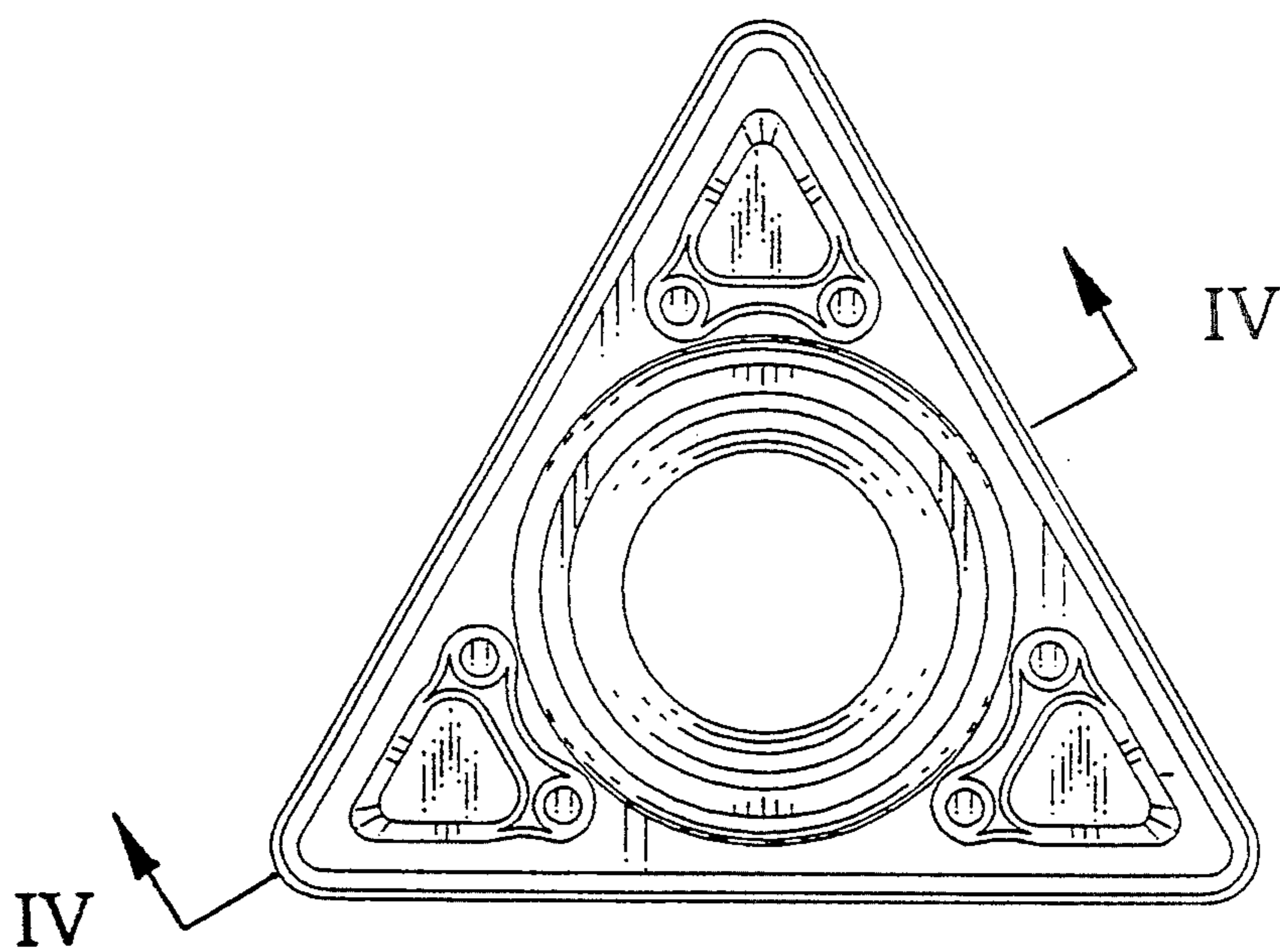


Figure 2

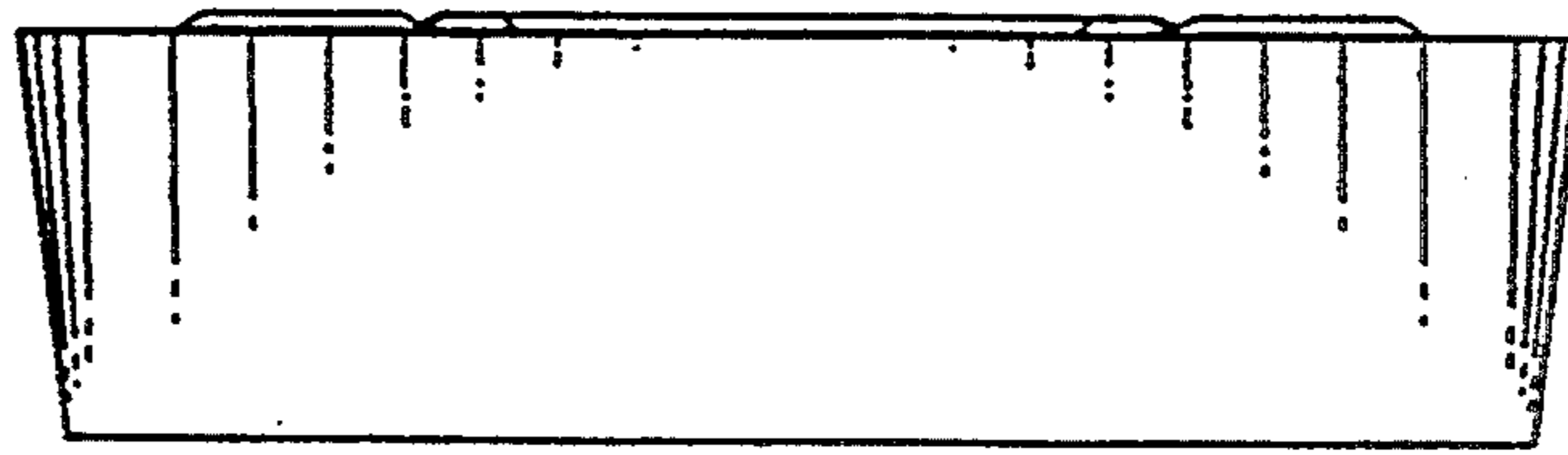


Figure 3

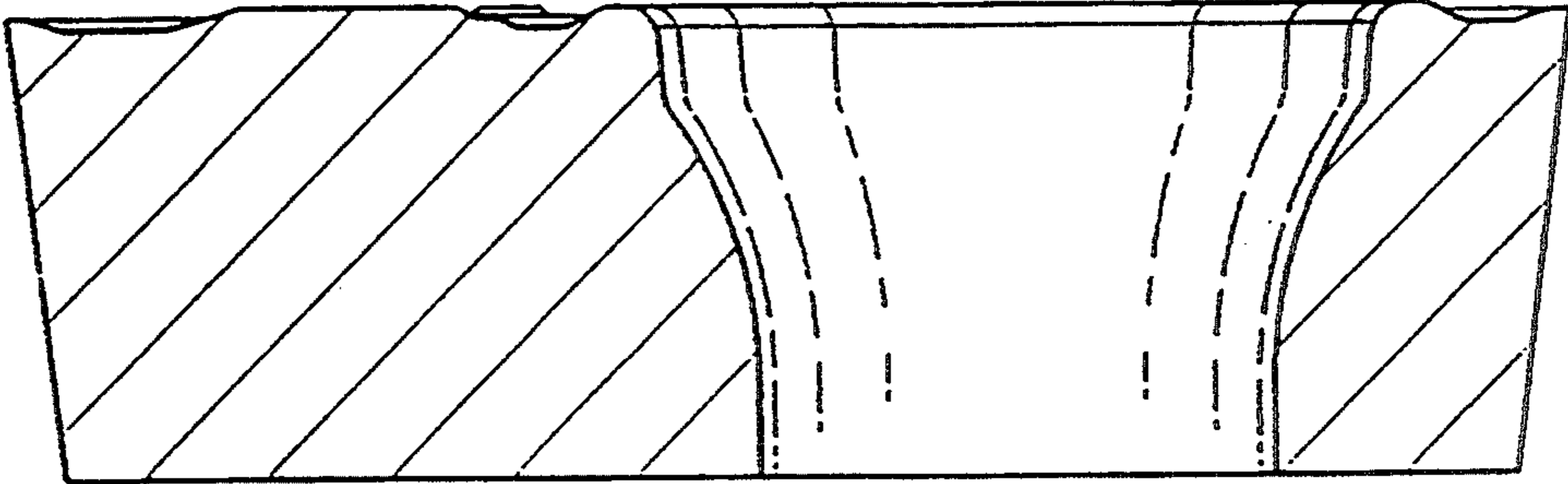


Figure 4