



US00D357691S

# United States Patent [19]

[11] Patent Number: **Des. 357,691**

**Bryant**

[45] Date of Patent: **\*\* Apr. 25, 1995**

[54] **LAWN MOWER BLADE**

[76] Inventor: **Peter B. Bryant, 6785 Napier Street, Burnaby, British Columbia, Canada, V5B 2C5**

[\*\*] Term: **14 Years**

[21] Appl. No.: **836,935**

[22] Filed: **Feb. 18, 1992**

[30] **Foreign Application Priority Data**  
 Aug. 21, 1991 [CA] Canada ..... 21089123

[52] U.S. Cl. .... **D15/17**

[58] Field of Search ..... D15/14-17;  
 30/276, 347, 390, DIG. 5; 56/255, 289, 295

4,765,127 8/1988 Hamblem ..... 30/276  
 4,922,698 5/1990 Taylor ..... 56/295  
 4,936,884 6/1990 Campbell ..... 56/255  
 4,977,735 12/1990 Davis ..... 56/295  
 4,995,228 2/1991 Hladik, Jr. .... 56/255  
 5,018,347 5/1991 Feilen ..... 56/295  
 5,019,113 5/1991 Burnell ..... 56/295  
 5,036,654 8/1991 Malutich ..... 56/255  
 5,094,065 3/1992 Azbell ..... 56/255

### FOREIGN PATENT DOCUMENTS

2949364 6/1981 Germany ..... 30/347

*Primary Examiner*—Theodore M. Shooman  
*Assistant Examiner*—Sandra Morris

[56] **References Cited**

**U.S. PATENT DOCUMENTS**

D. 268,641 4/1983 Bonforte ..... D15/17  
 D. 289,524 4/1987 Anderson et al. .... D15/17  
 2,857,729 10/1958 Zoldok ..... D15/17  
 3,162,990 12/1964 Cook ..... D15/17  
 3,183,655 5/1965 Dunlap et al. .... 56/255  
 4,628,672 12/1986 Jones ..... 56/295  
 4,651,510 3/1987 Malutich ..... 56/295  
 4,686,819 8/1987 Bryant ..... 56/295  
 4,750,320 6/1988 Liebl ..... 56/295

### [57] CLAIM

The ornamental design for a lawn mower blade, as shown and described.

### DESCRIPTION

FIG. 1 is a front elevational view of a lawn mower blade showing my new invention;  
 FIG. 2 is a top plan view thereof;  
 FIG. 3 is a rear elevational thereof;  
 FIG. 4 is a bottom plan view thereof;  
 FIG. 5 is a left side elevational view thereof;  
 FIG. 6 is a right side elevational view thereof; and,  
 FIG. 7 is a perspective view thereof.

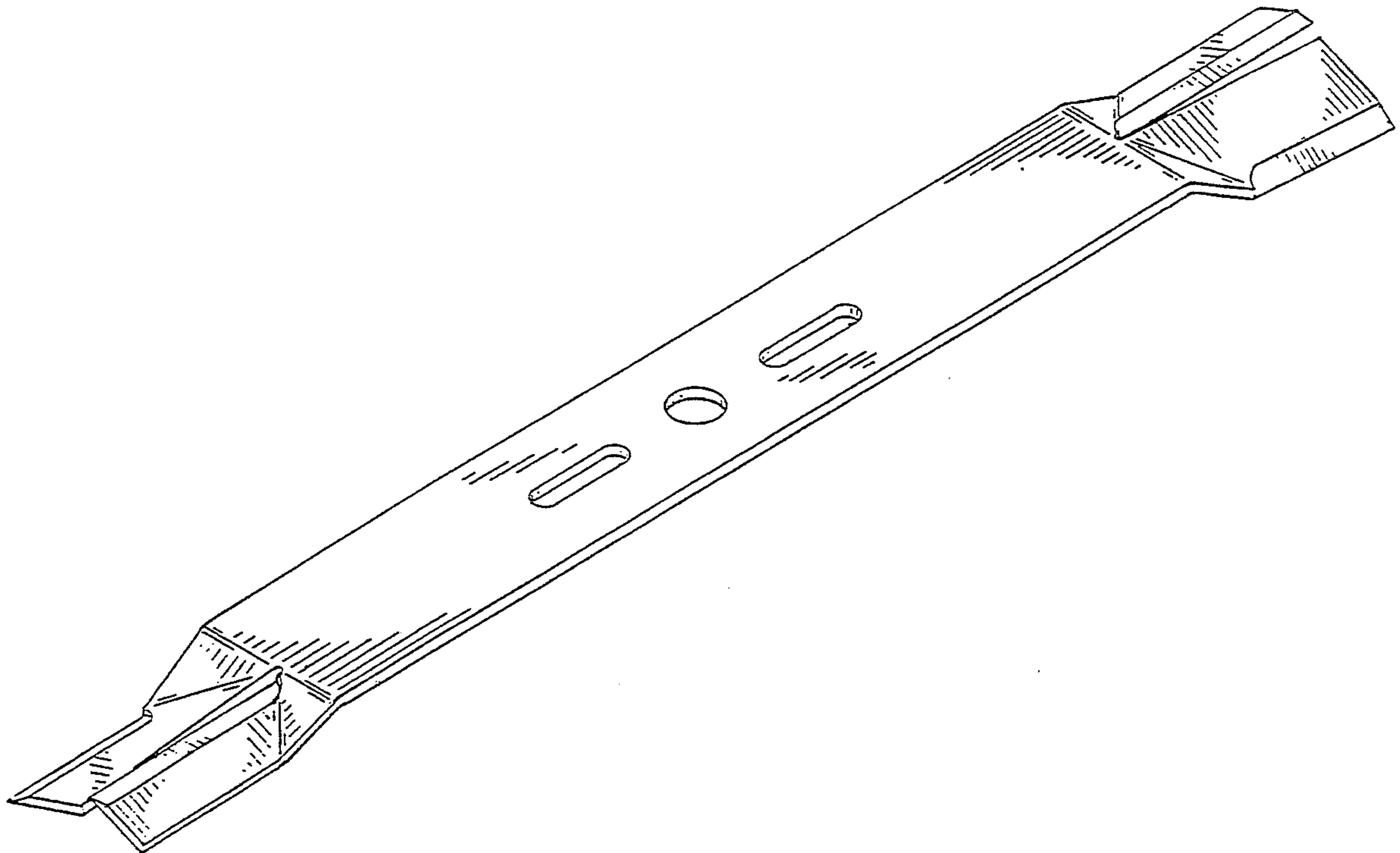


FIG. 1



FIG. 2

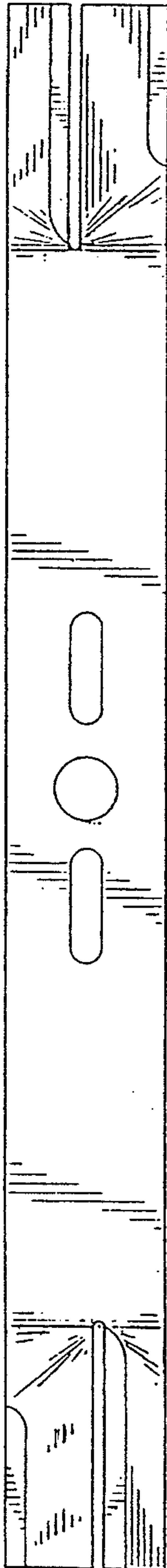
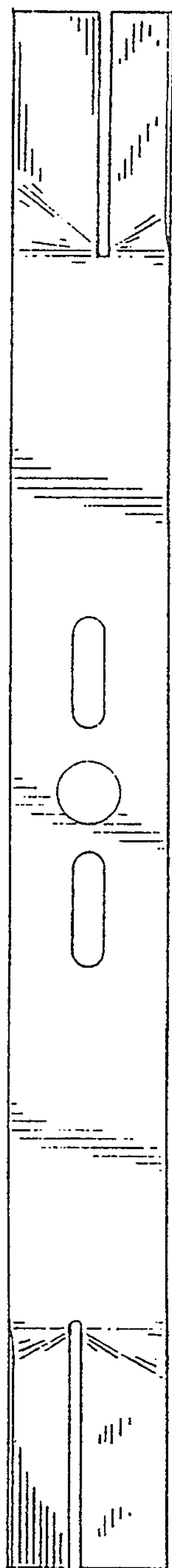


FIG. 3



FIG. 4



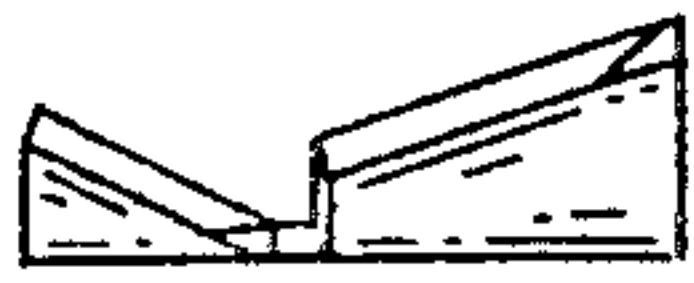


FIG. 5

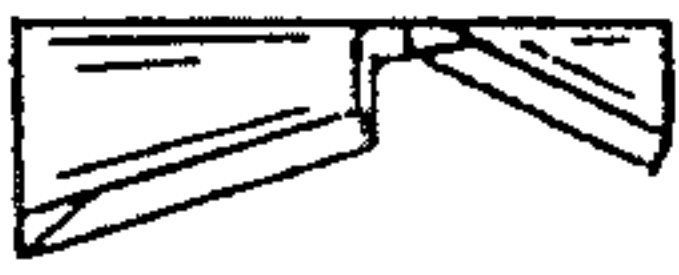


FIG. 6

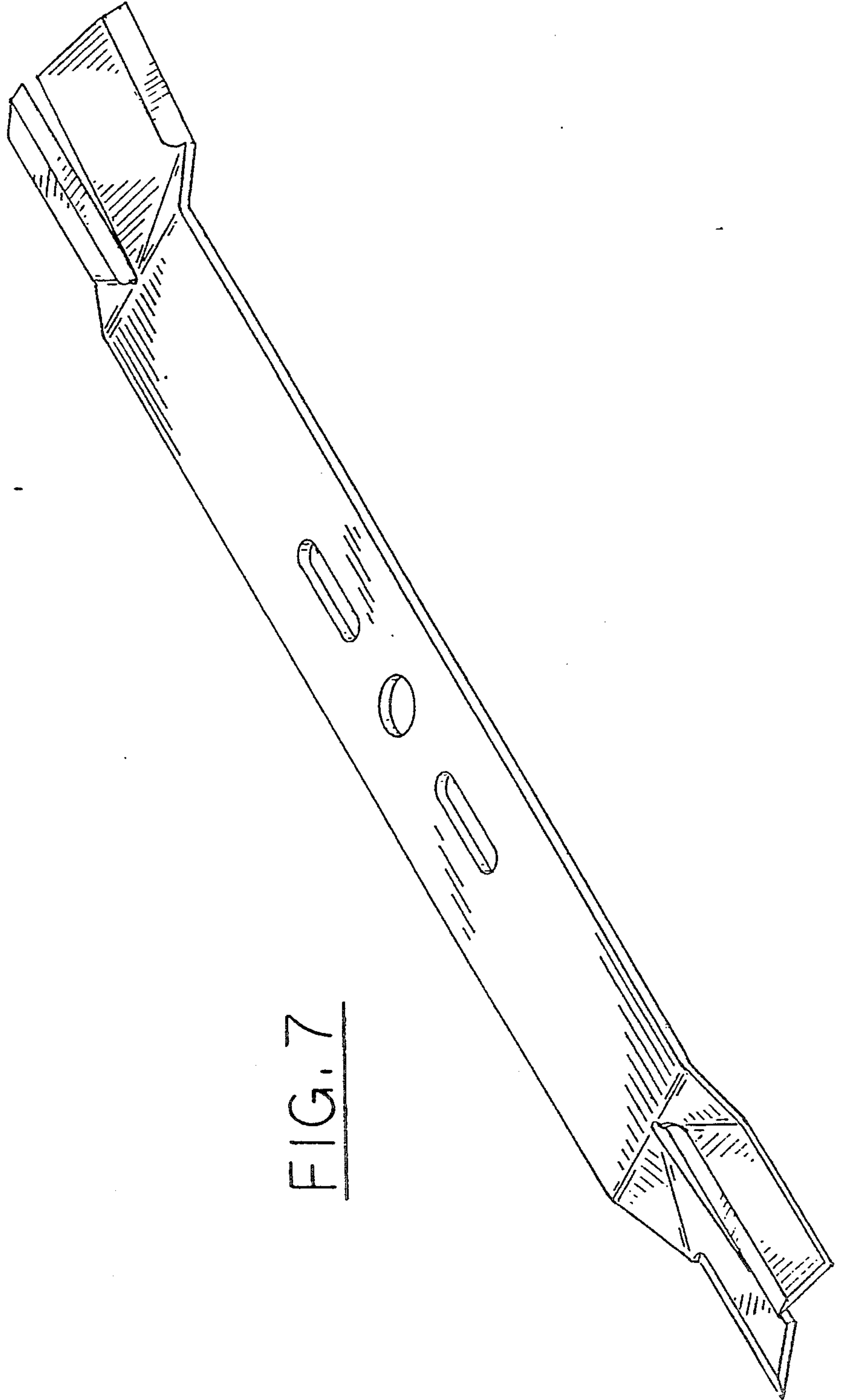


FIG. 7