



US00D357688S

**United States Patent** [19]

[11] **Patent Number: Des. 357,688**

**Sprague**

[45] **Date of Patent: \*\* Apr. 25, 1995**

[54] **MICROWAVE CROP DRIER**

[76] Inventor: **Kevin W. Sprague**, Rte. 16, Box 559,  
Yorkshire, N.Y. 14173

[\*\*] Term: **14 Years**

[21] Appl. No.: **14,303**

[22] Filed: **Oct. 20, 1993**

[52] U.S. Cl. .... **D15/10; D15/27**

[58] **Field of Search** ..... D15/10, 27, 28; 34/85,  
34/90, 107, 182, 236; 56/12.8, 134, 16.4;  
198/952

5,129,164 7/1992 Painter et al. .... 34/236

**FOREIGN PATENT DOCUMENTS**

408946 1/1991 European Pat. Off. .... 34/90  
1731093 5/1992 U.S.S.R. .... 34/90

**OTHER PUBLICATIONS**

Progressive Farmer, Oct. 1991 p. 15 Hesston bailer.

*Primary Examiner*—Terry A. Wallace  
*Assistant Examiner*—Sandra Morris  
*Attorney, Agent, or Firm*—Terry M. Gernstein

[56] **References Cited**  
**U.S. PATENT DOCUMENTS**

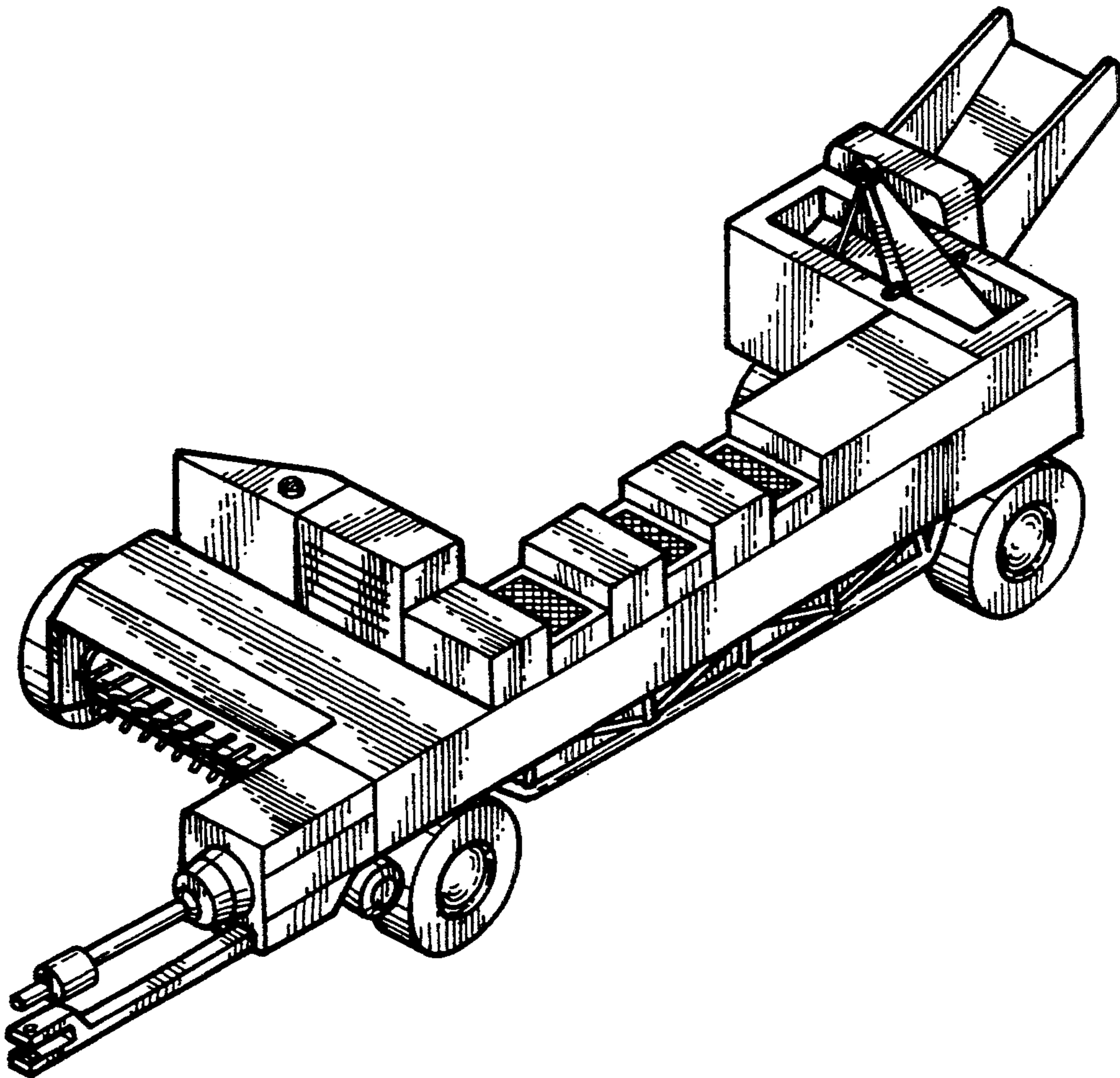
D. 306,597	3/1990	Van den Bos .....	D15/10
D. 338,892	8/1993	Crawford .....	D15/10
2,887,788	5/1959	Baxter et al. ....	34/182
3,016,626	1/1962	Kompus .....	34/182
3,362,085	1/1968	Clifford et al. ....	34/90
3,736,670	6/1973	van der Lely .....	34/236
3,745,669	7/1973	Meiners .....	34/182
3,942,267	3/1976	van der Lely et al. ....	34/236
4,209,918	7/1980	Klein .....	34/90
4,918,910	4/1990	Sheehan et al. ....	56/16.4 R

[57] **CLAIM**

The ornamental design for a microwave crop drier, as shown and described.

**DESCRIPTION**

FIG. 1 is a front, top and side perspective view of the microwave crop drier showing my new design;  
FIG. 2 is a front elevational view thereof;  
FIG. 3 is a rear elevational view thereof;  
FIG. 4 is a side elevational view thereof;  
FIG. 5 is a side elevational view thereof;  
FIG. 6 is a top plan view thereof; and,  
FIG. 7 is a bottom plan view thereof.



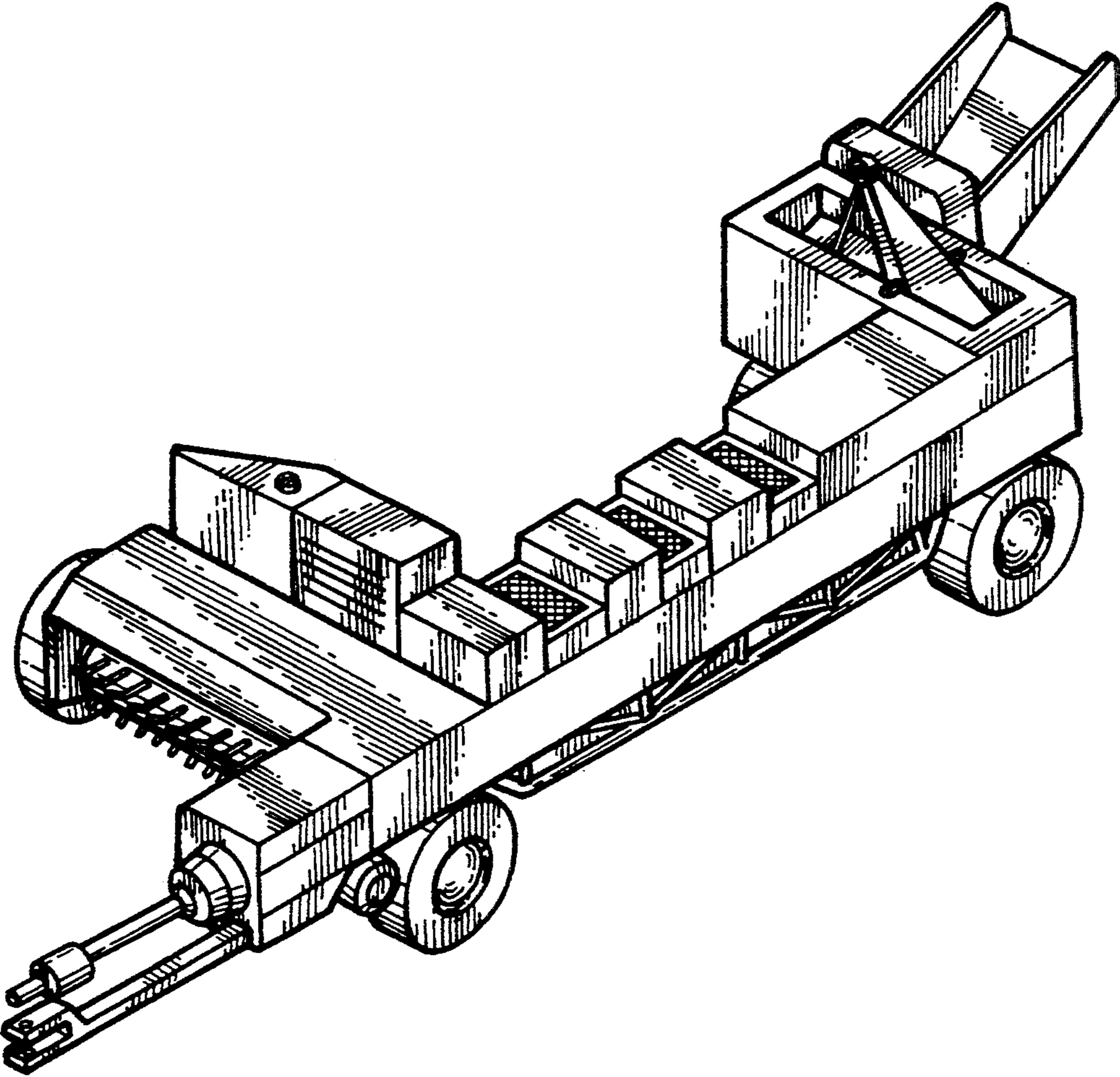


FIG. 1

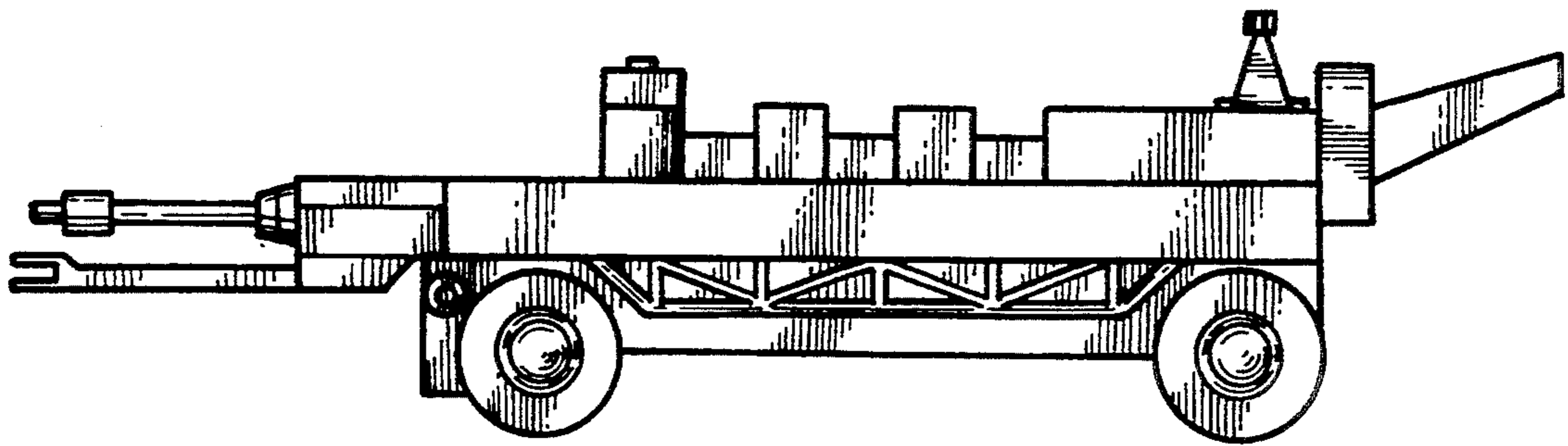


FIG. 2

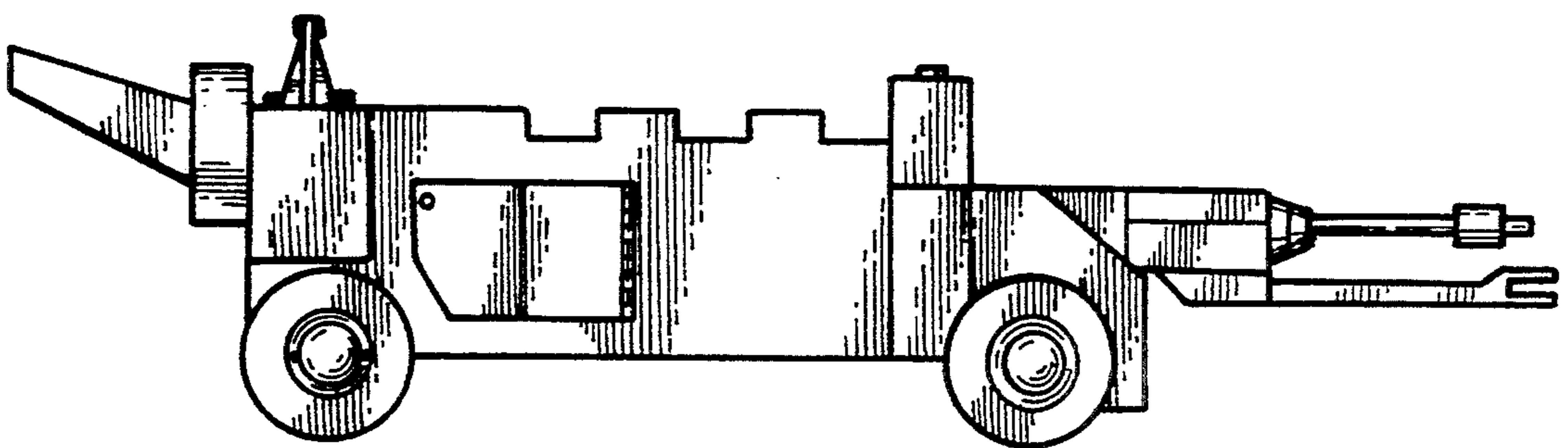


FIG. 3

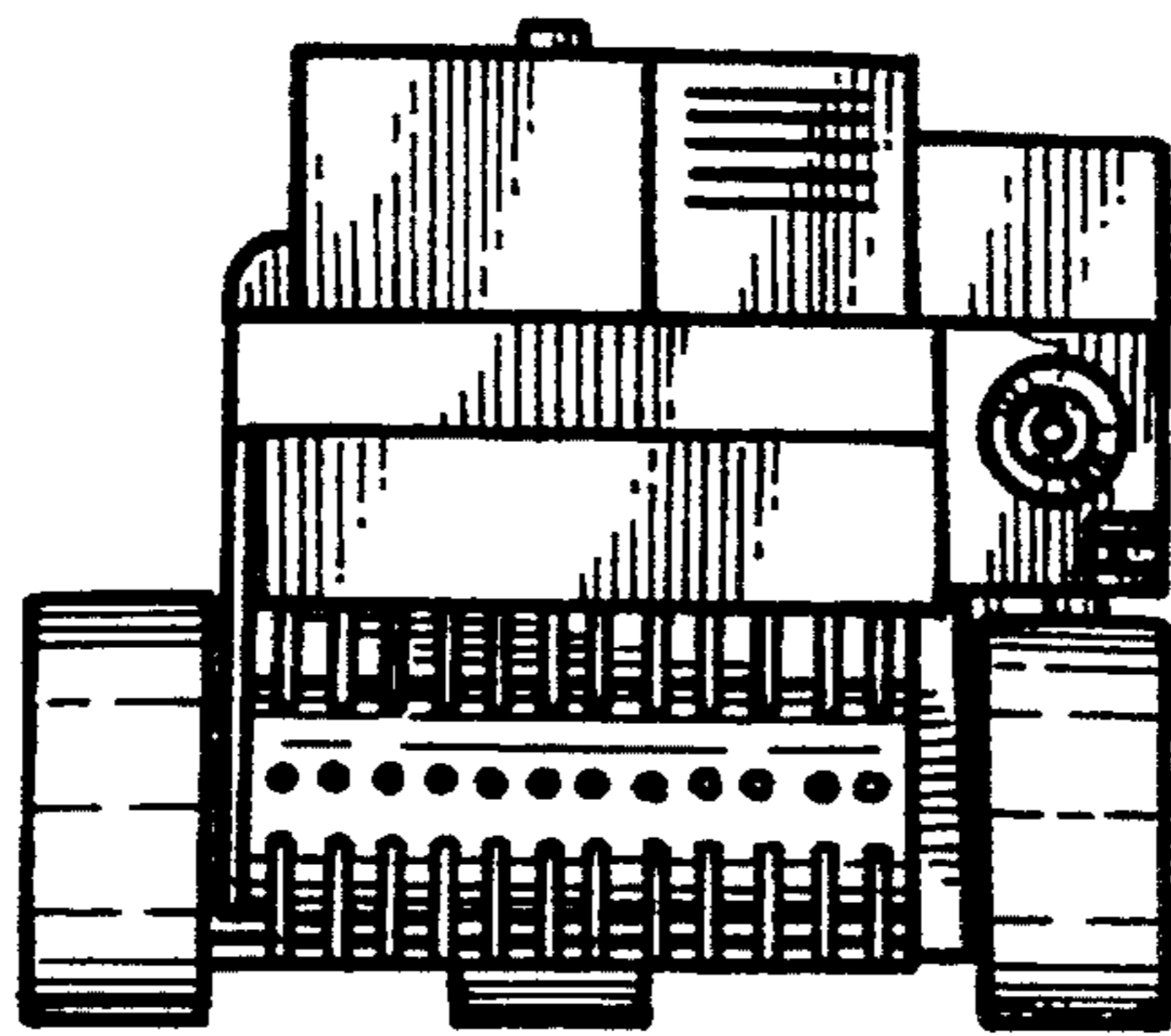


FIG. 4

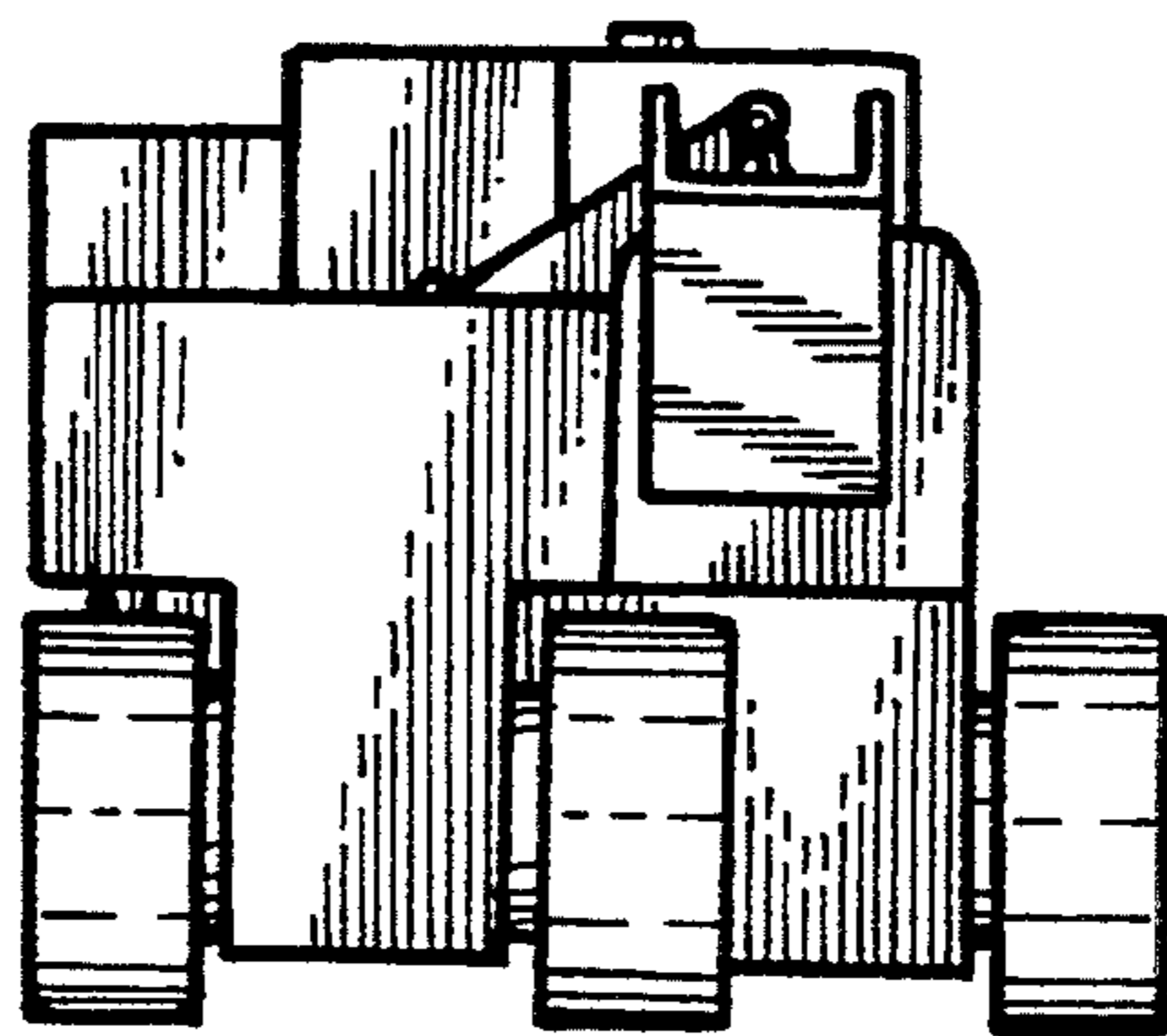


FIG. 5

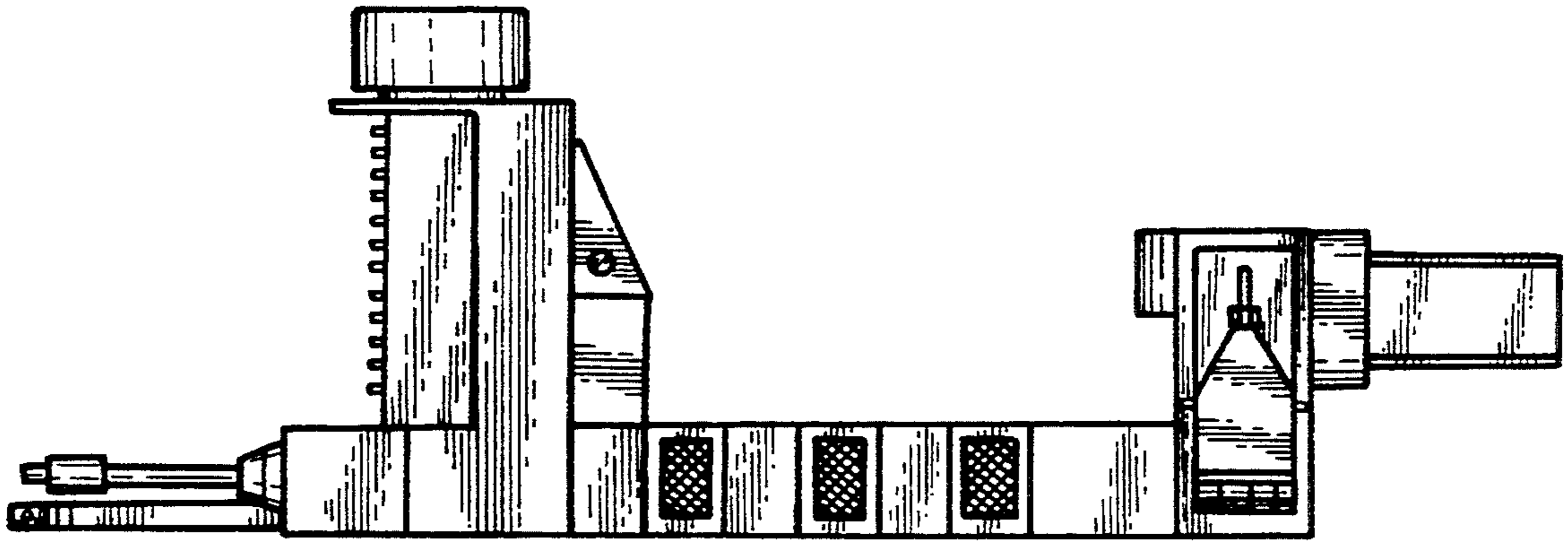


FIG. 6

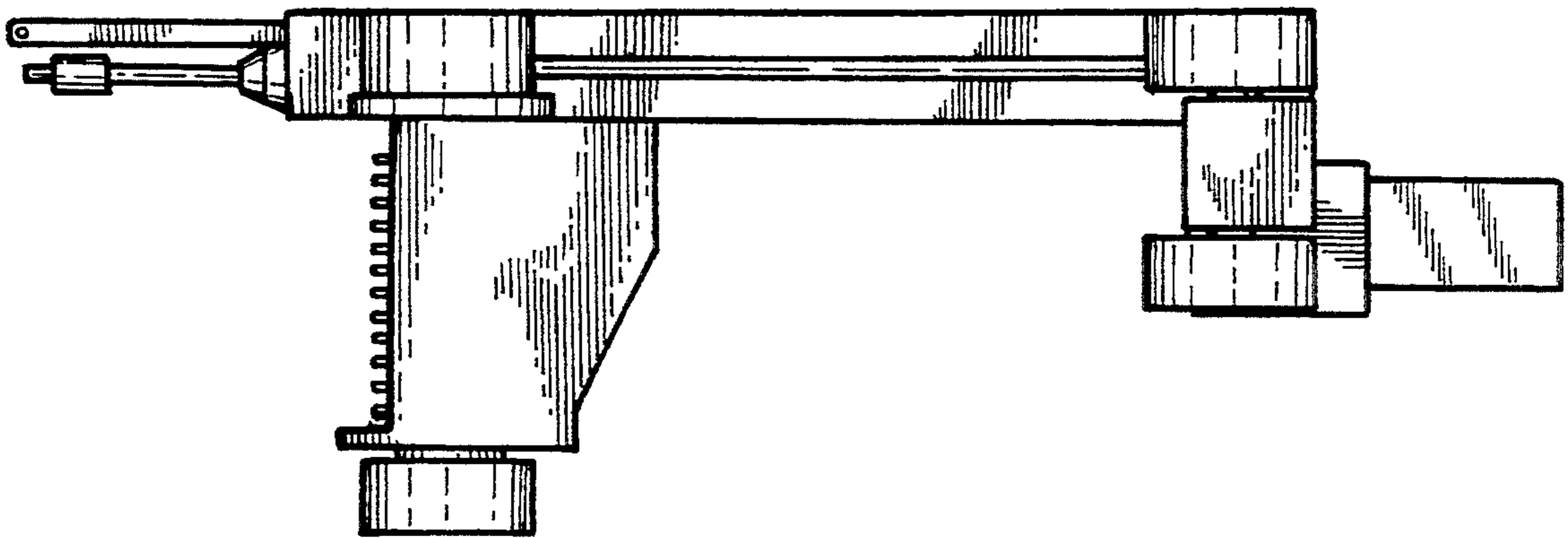


FIG. 7