



US00D357685S

# United States Patent [19]

[11] Patent Number: **Des. 357,685**

Reardon et al.

[45] Date of Patent: **\*\* Apr. 25, 1995**

[54] **MODEM FOR AN INTERACTIVE TELEVISION SYSTEM**

[75] Inventors: **John D. Reardon**, Sedalia; **Susan K. Marshall**, Greenwood Village, both of Colo.; **Maureen E. Carroll**, Atlanta; **Devin Moore**, Decator, both of Ga.

[73] Assignee: **Zing Systems, L.P.**, Englewood, Colo.

[\*\*] Term: **14 Years**

[21] Appl. No.: **23,041**

[22] Filed: **May 17, 1994**

[52] U.S. Cl. .... **D14/242; D14/107; D14/239**

[58] Field of Search ..... **D14/100, 107, 114, 217, D14/140, 240, 242, 142, 141, 150, 218; D13/164, 184; 379/440, 441, 419, 420, 428; 361/724, 728, 730, 825; 360/29, 30**

[56] **References Cited**

**U.S. PATENT DOCUMENTS**

- D. 321,187 10/1991 Yang ..... D14/142 X
- D. 323,823 2/1992 Yonekura ..... D14/125
- D. 349,501 8/1994 Fan ..... D14/240
- D. 350,735 9/1994 Karlin et al. .... D14/114

- D. 350,741 9/1994 Chen ..... D14/242 X
- D. 351,173 10/1994 Yey ..... D14/218
- D. 351,381 10/1994 Reardon et al. .... D14/217 X
- D. 351,841 10/1994 Blankenship et al., ..... D14/107 X
- D. 352,290 11/1994 Rak ..... D14/107

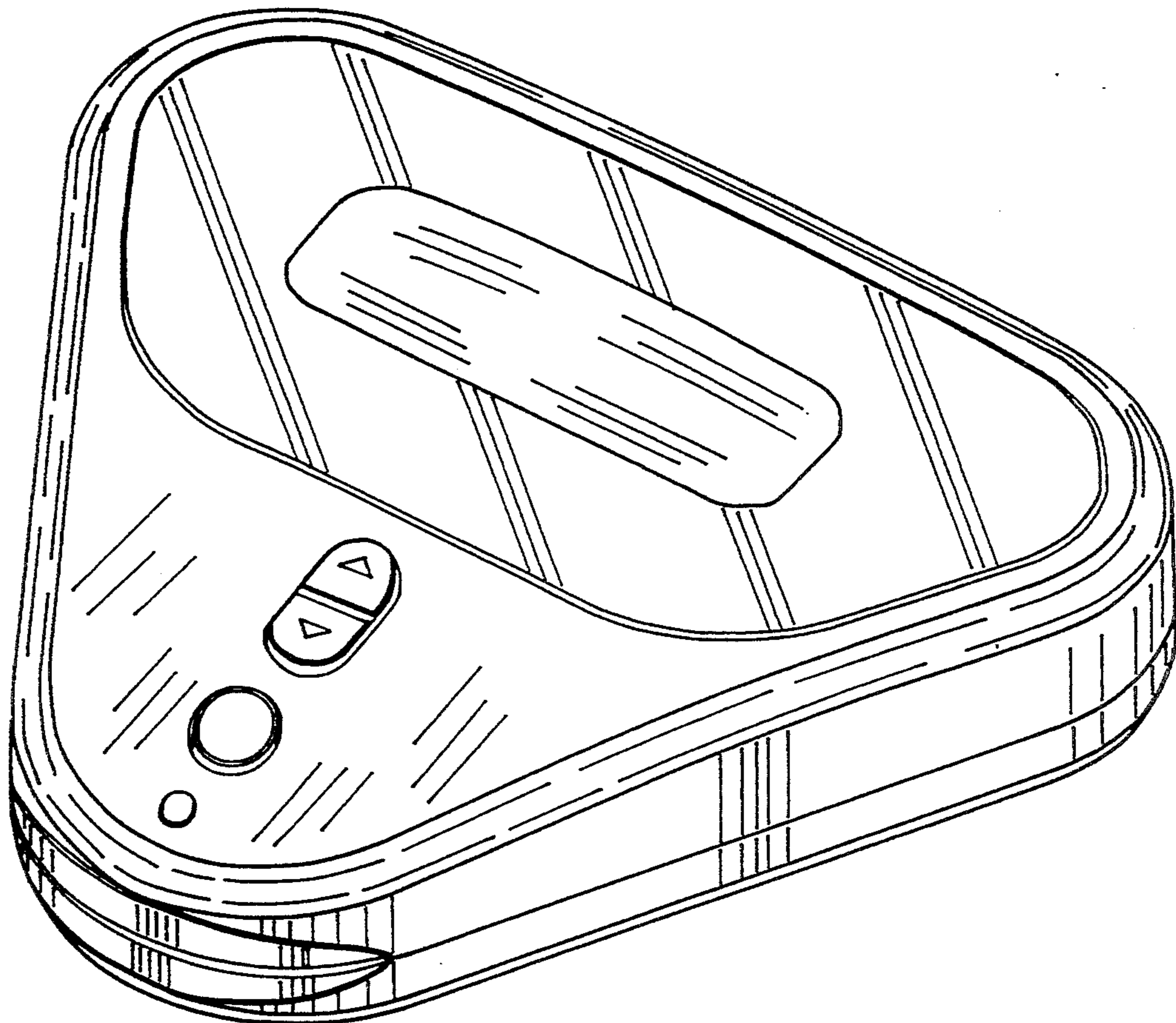
*Primary Examiner*—Jeffrey Asch  
*Attorney, Agent, or Firm*—Fliesler, Dubb, Meyer & Lovejoy

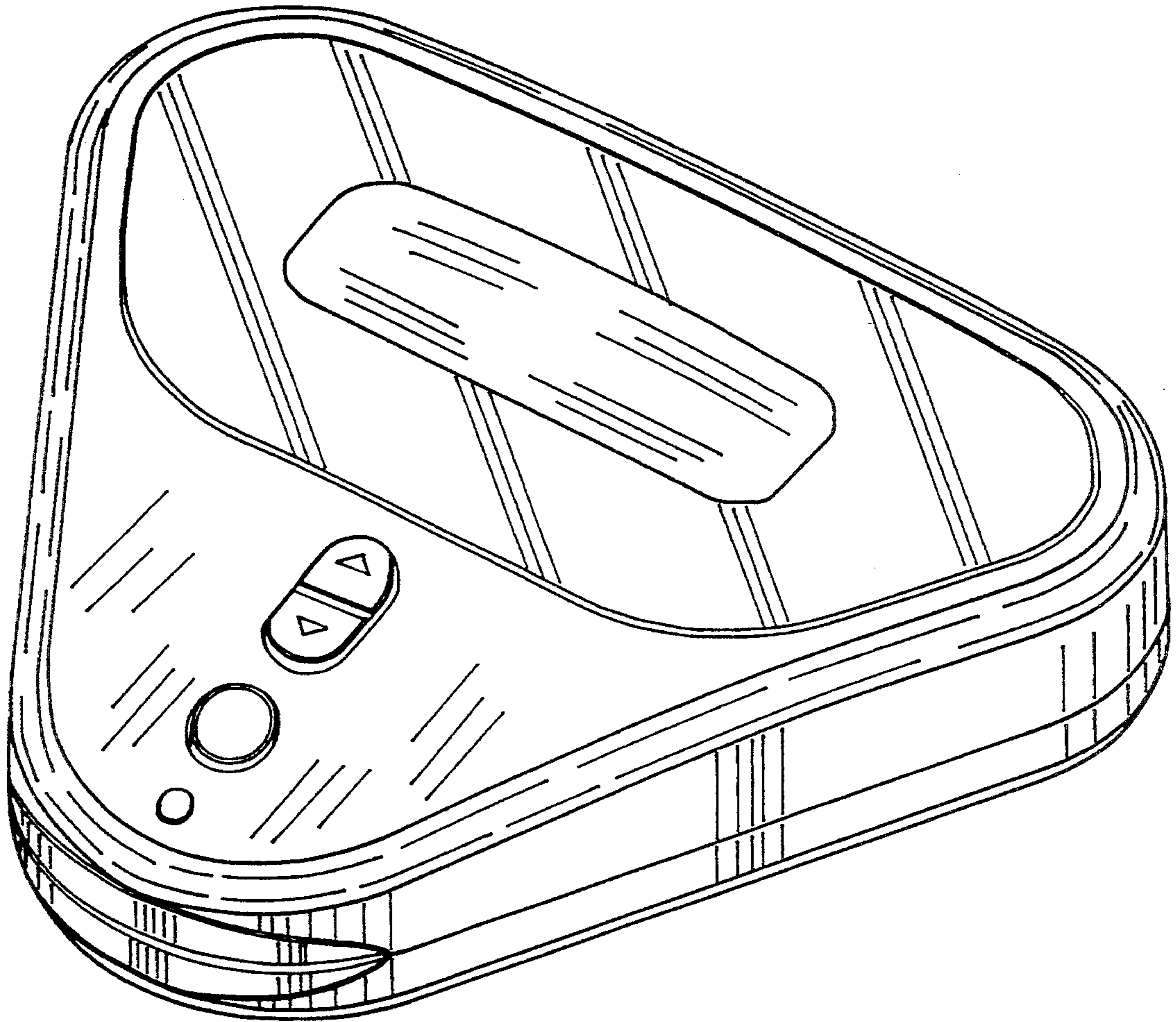
[57] **CLAIM**

The ornamental design for a modem for an interactive television system, as shown and described.

**DESCRIPTION**

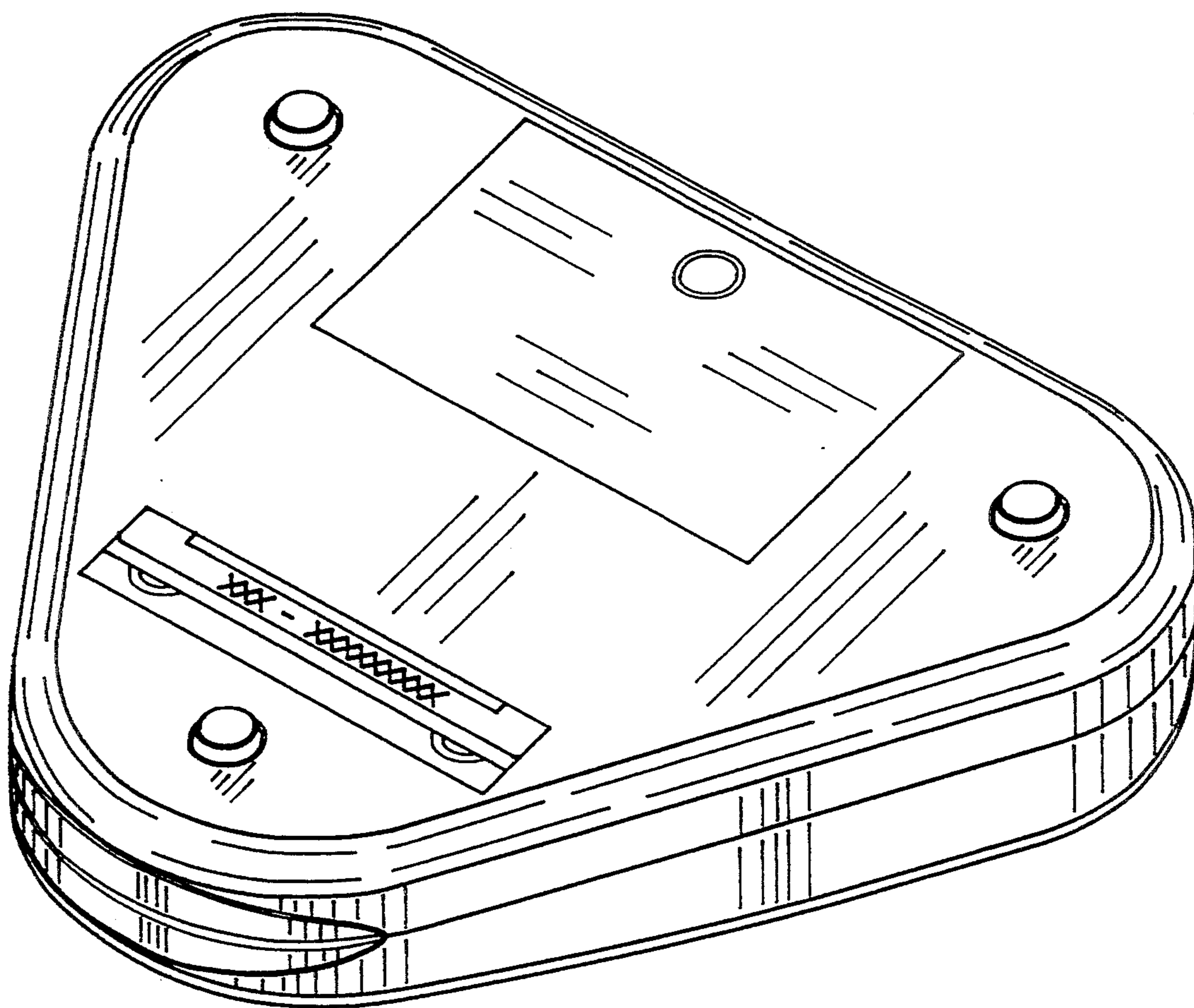
FIG. 1 is a top, front and left side perspective view of a modem for an interactive television system;  
 FIG. 2 is a bottom, front and right side perspective view thereof;  
 FIG. 3 is a top plan view thereof;  
 FIG. 4 is a bottom plan view thereof;  
 FIG. 5 is a left side elevational view thereof;  
 FIG. 6 is a right side elevational view thereof;  
 FIG. 7 is a front elevational view thereof;  
 FIG. 8 is a rear elevational view thereof;  
 FIG. 9 is a top, rear and left side perspective view thereof; and,  
 FIG. 10 is a bottom, rear and left side perspective view thereof.





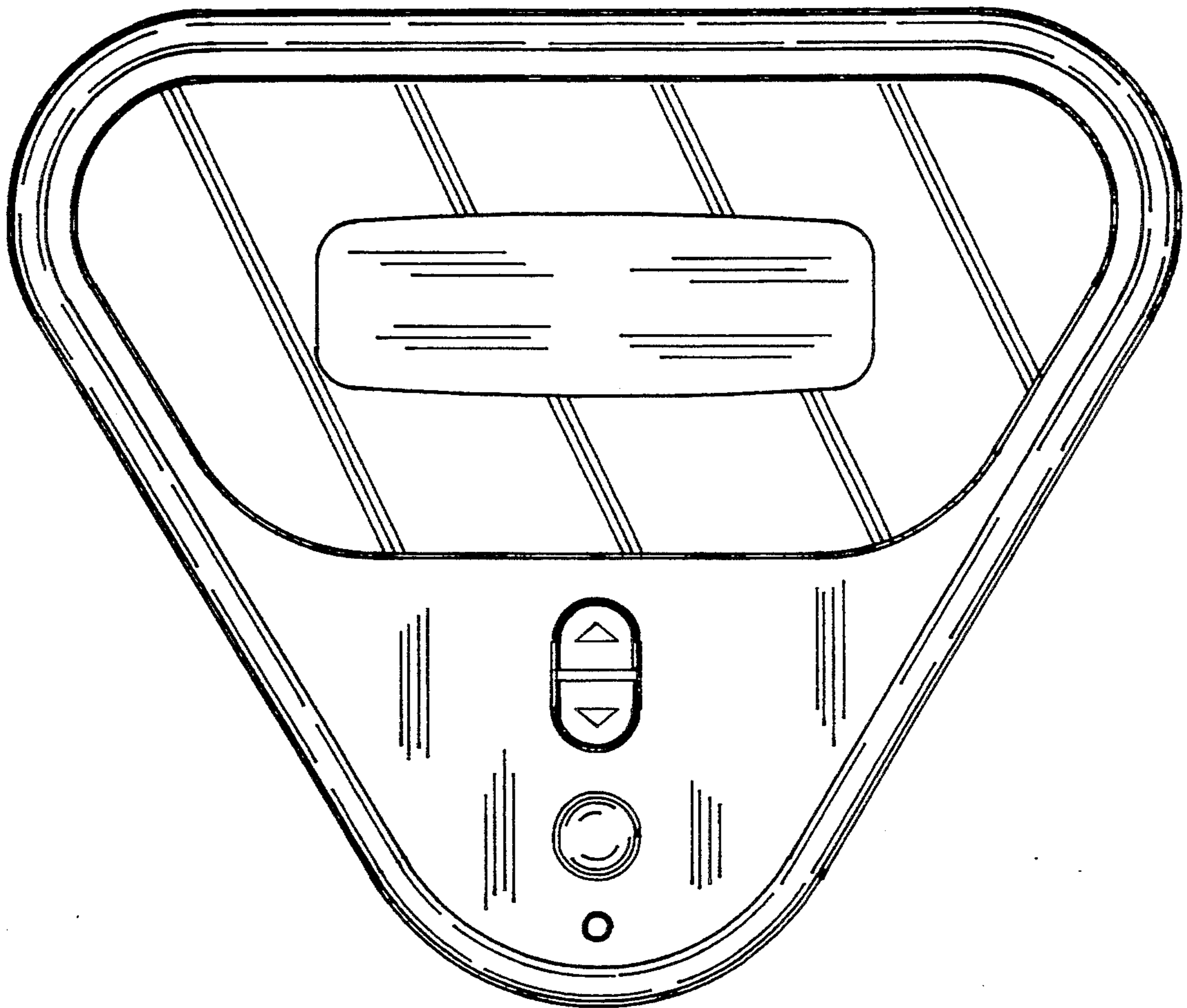
COPYRIGHT 1994 ZING SYSTEMS, L.P.

FIG.—1



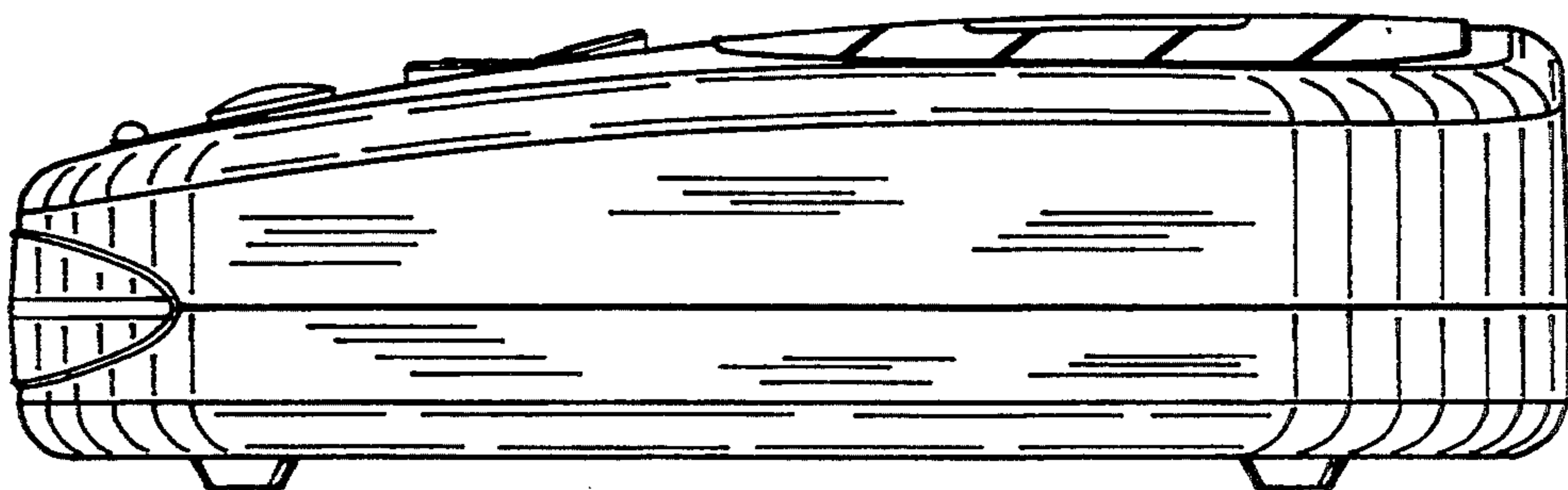
COPRIGHT 1994 ZING SYSTEMS, L.P.

FIG.-2



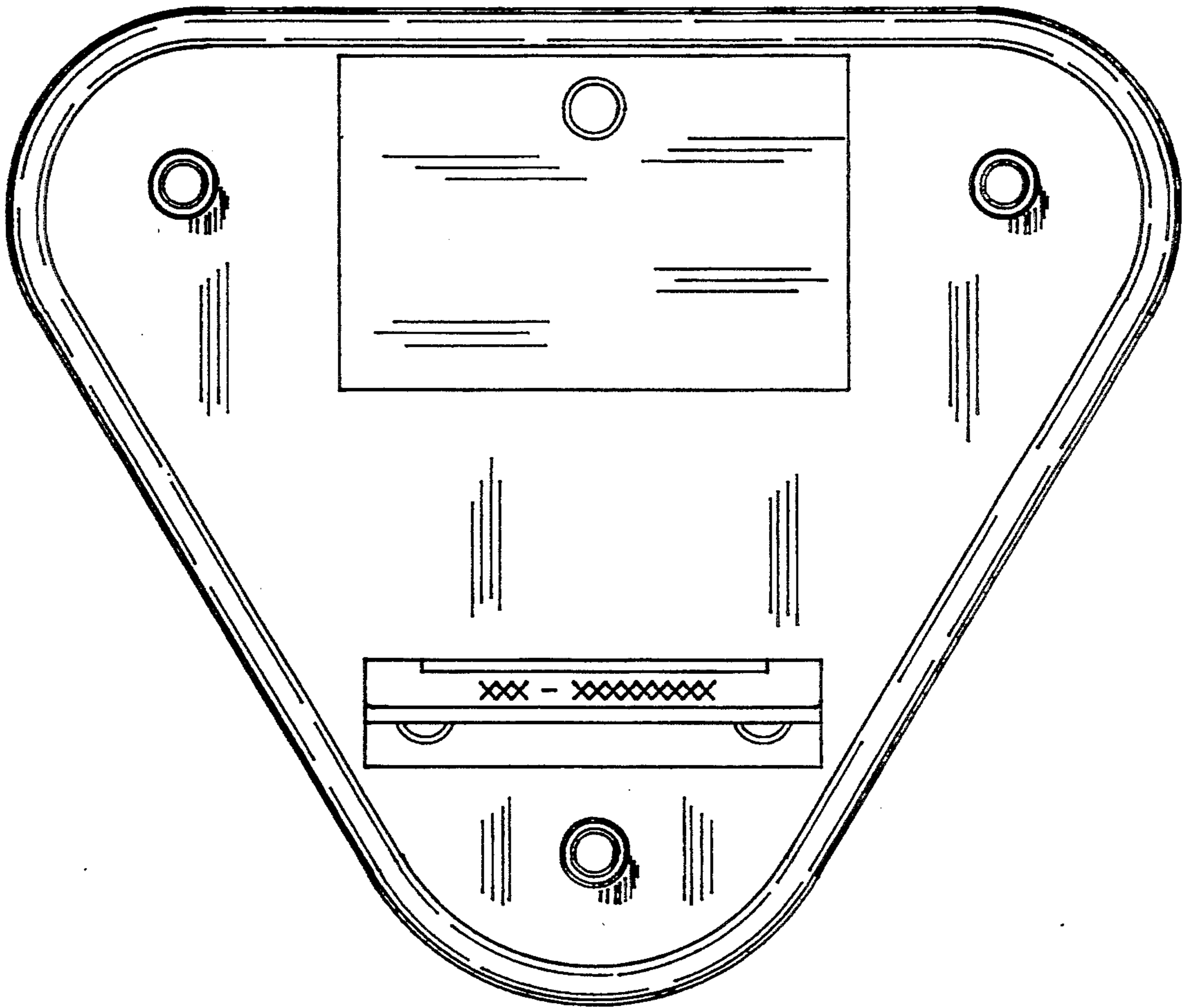
COPYRIGHT 1994 ZING SYSTEMS, L.P.

FIG. - 3



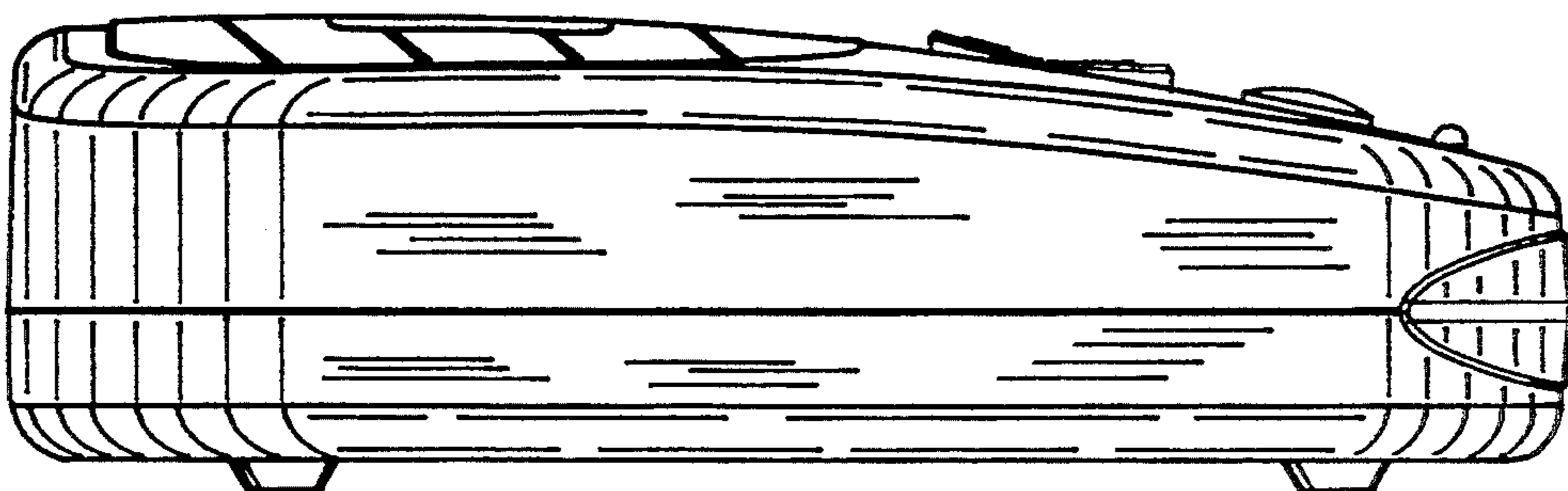
COPYRIGHT 1994 ZING SYSTEMS, L.P.

FIG. - 5



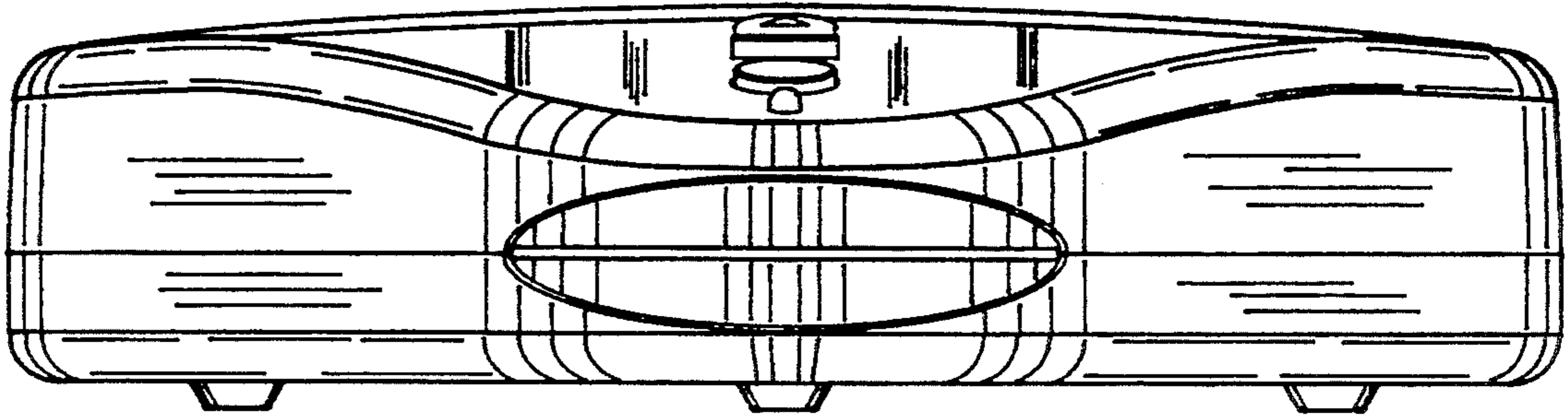
COPYRIGHT 1994 ZING SYSTEMS, L.P.

FIG. -4



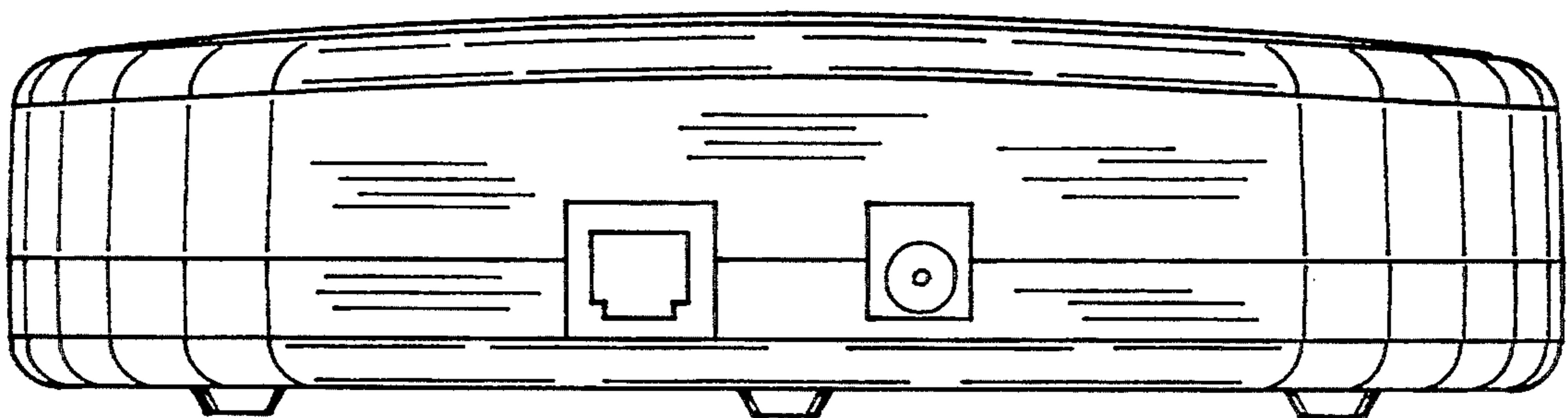
COPYRIGHT 1994 ZING SYSTEMS, L.P.

FIG. -6



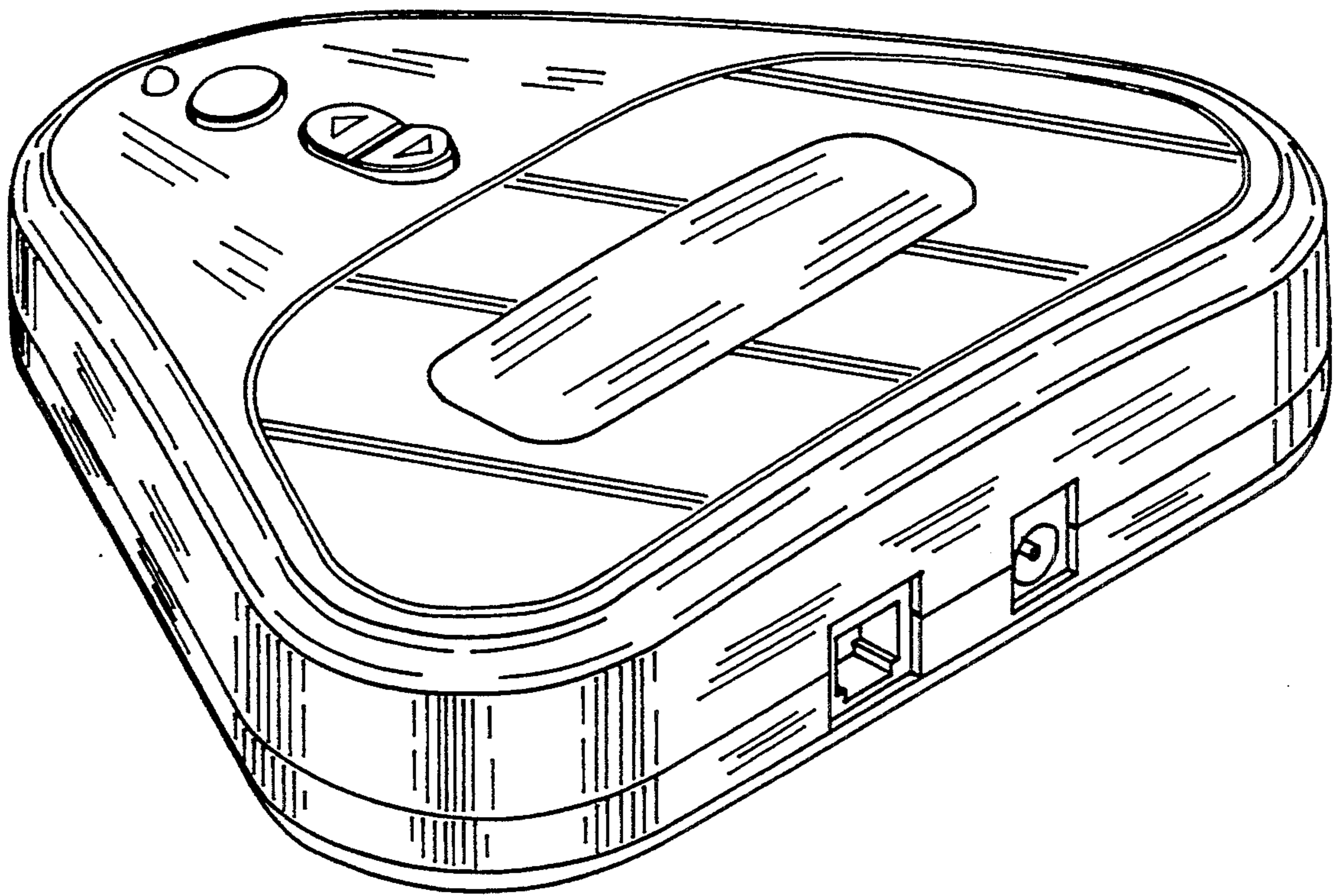
COPYRIGHT 1994 ZING SYSTEMS, L.P.

FIG. -7



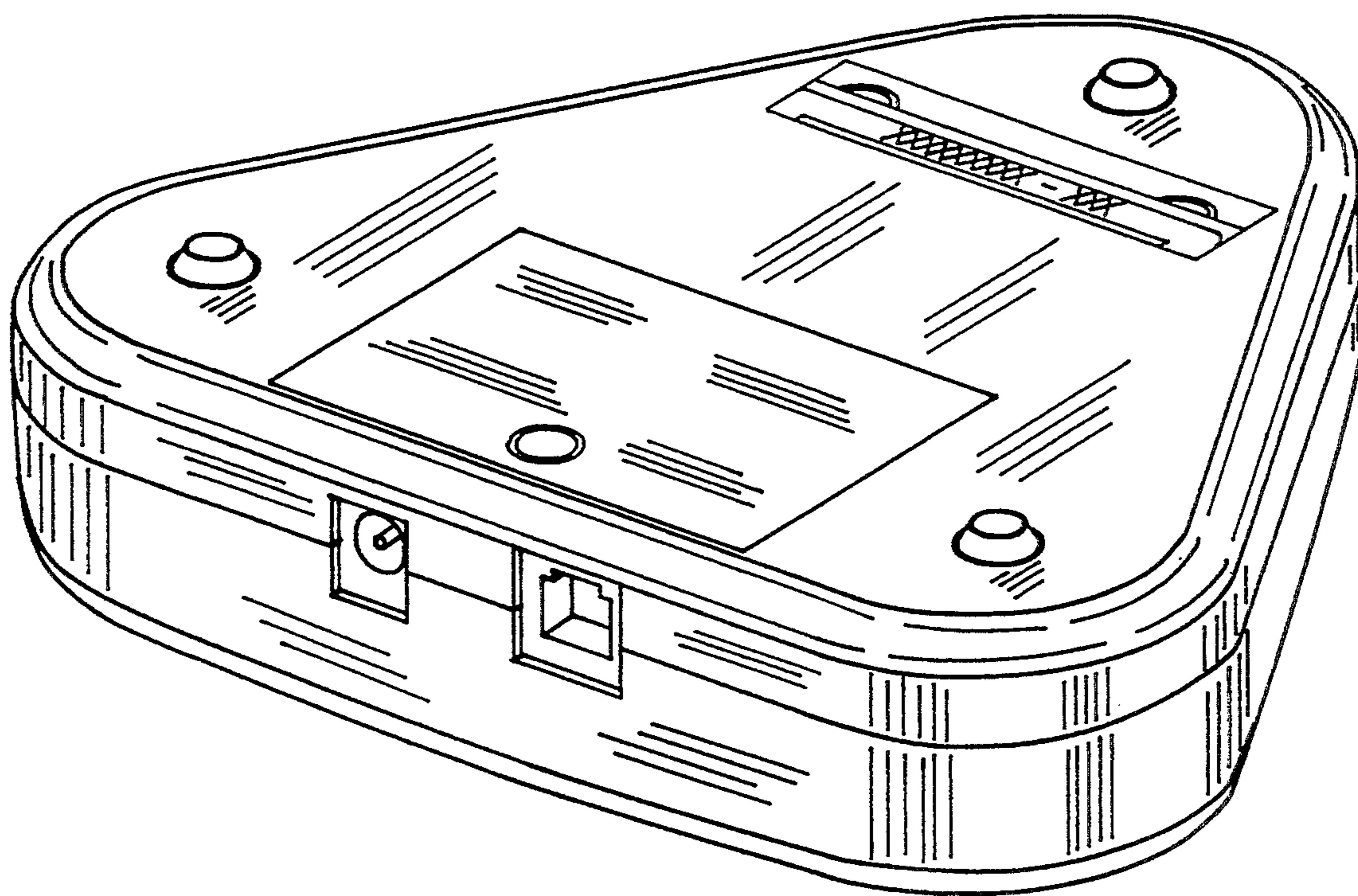
COPYRIGHT 1994 ZING SYSTEMS, L.P.

FIG. -8



COPYRIGHT ZING SYSTEMS, L.P.

FIG.—9



COPYRIGHT 1994 ZING SYSTEMS, L.P.

FIG. - 10