



US00D357681S

# United States Patent [19]

[11] Patent Number: **Des. 357,681**

Lindeman

[45] Date of Patent: **\*\* Apr. 25, 1995**

[54] **TELEPHONE HANDSET HOUSING**

[75] Inventor: **Phillip E. Lindeman, Gurnee, Ill.**

[73] Assignee: **Motorola Inc., Schaumburg, Ill.**

[\*\*] Term: **14 Years**

[21] Appl. No.: **20,660**

[22] Filed: **Mar. 30, 1994**

[52] U.S. Cl. .... **D14/148; D14/247**

[58] Field of Search ..... **D14/137, 138, 140, 147, D14/148, 240, 247, 248, 244, 116; D21/111; 379/58-61, 433, 419, 420, 428, 440**

- D. 315,346 3/1991 Nagele ..... D14/138
- D. 322,783 12/1991 Saluja et al. .... D14/248 X
- D. 325,029 3/1992 Nagele ..... D14/138
- D. 342,729 12/1993 Nagele ..... D14/148
- D. 343,836 2/1994 Mischenko ..... D14/247 X
- D. 348,880 7/1994 Wong et al. .... D14/148

*Primary Examiner*—Jeffrey Asch  
*Attorney, Agent, or Firm*—Dale B. Halling

[57] **CLAIM**

The ornamental design for a telephone handset housing, as shown and described.

**DESCRIPTION**

FIG. 1 is a top, left, front, perspective view of a telephone handset housing;

FIG. 2 is a right elevation view thereof;

FIG. 3 is a rear elevation view thereof; and,

FIG. 4 is a top, left, front, perspective view showing a second embodiment of the same inventive design concept shown in FIGS. 1-3.

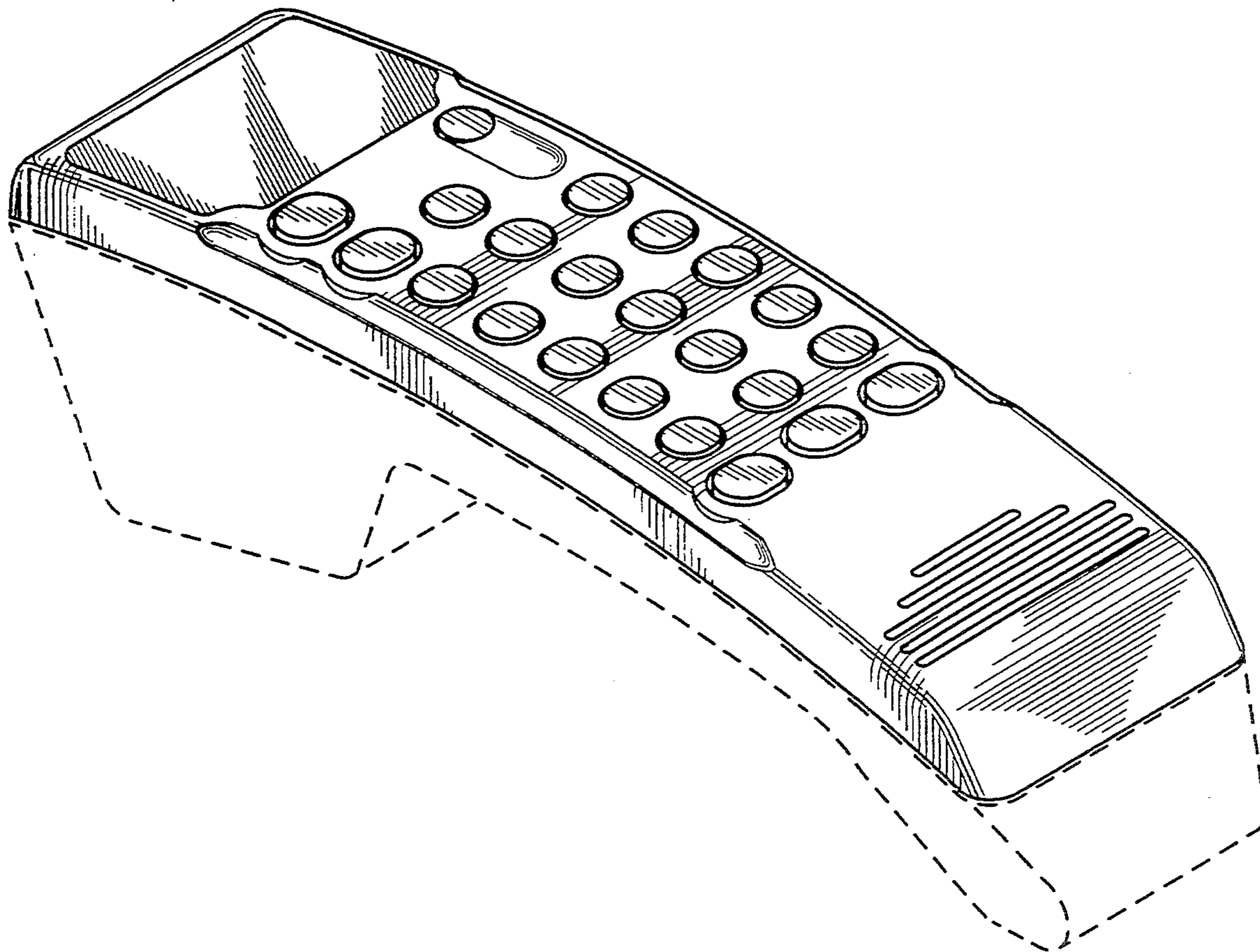
The broken line showings in FIGS. 1-4 are for illustrative purposes only and form no part of the claimed design.

The right side and rear of the second embodiment are mirror images of the left side and rear shown in FIGS. 1 and 3 respectively.

[56] **References Cited**

**U.S. PATENT DOCUMENTS**

- D. 246,043 10/1977 Taylor ..... D14/53
- D. 246,103 10/1977 Taylor ..... D14/53
- D. 248,758 8/1978 Krolopp et al. .... D14/53
- D. 260,518 9/1981 Larson ..... D14/53
- D. 271,491 11/1983 Taylor ..... D14/76
- D. 286,778 11/1986 Beaumont ..... D14/64
- D. 292,578 11/1987 Taylor ..... D14/62
- D. 292,920 11/1987 Taylor ..... D14/62
- D. 295,973 5/1988 Nagele ..... D14/66
- D. 295,975 5/1988 Taylor et al. .... D14/64
- D. 299,136 12/1988 Taylor ..... D14/63



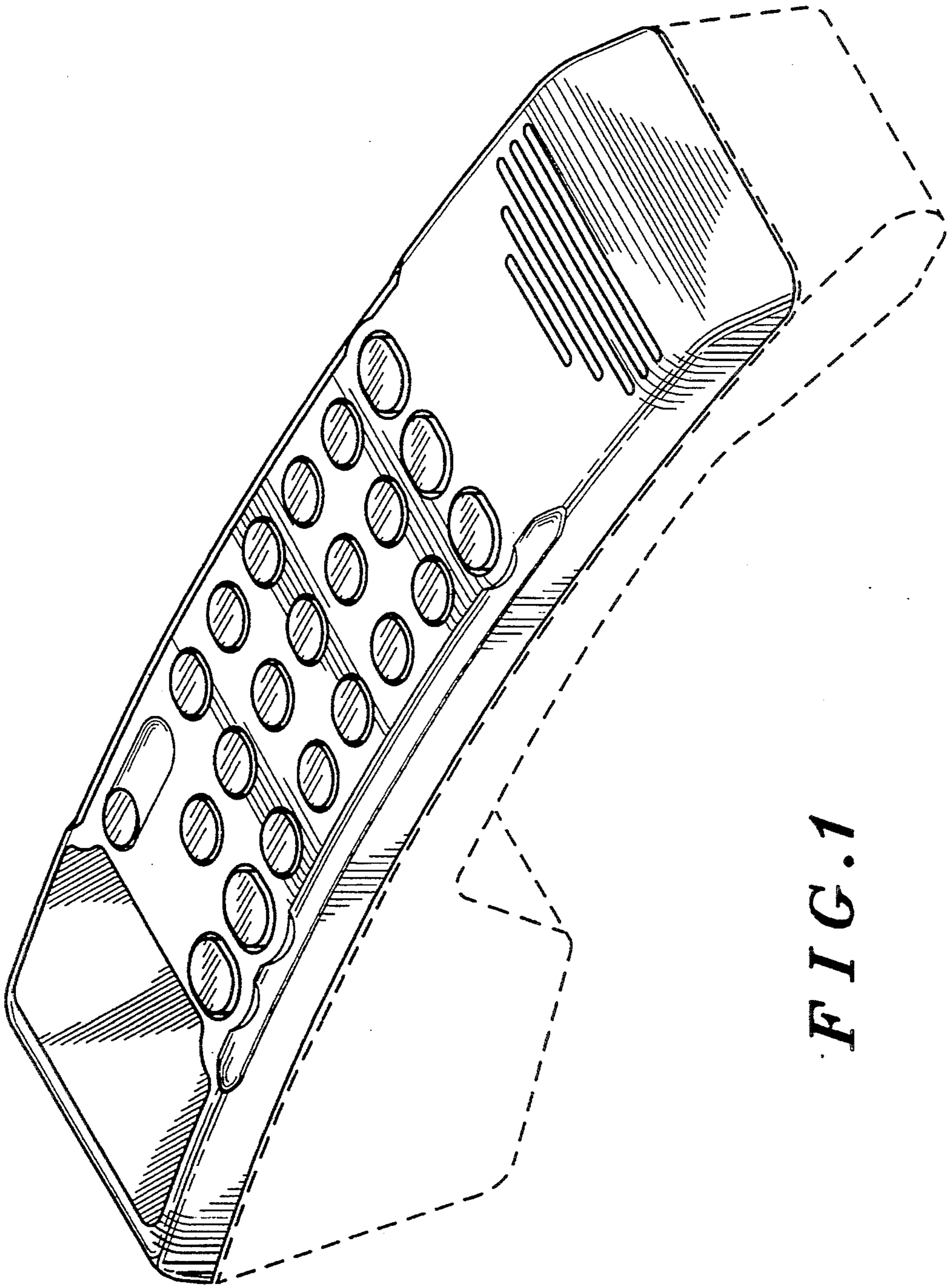


FIG. 1

FIG. 2

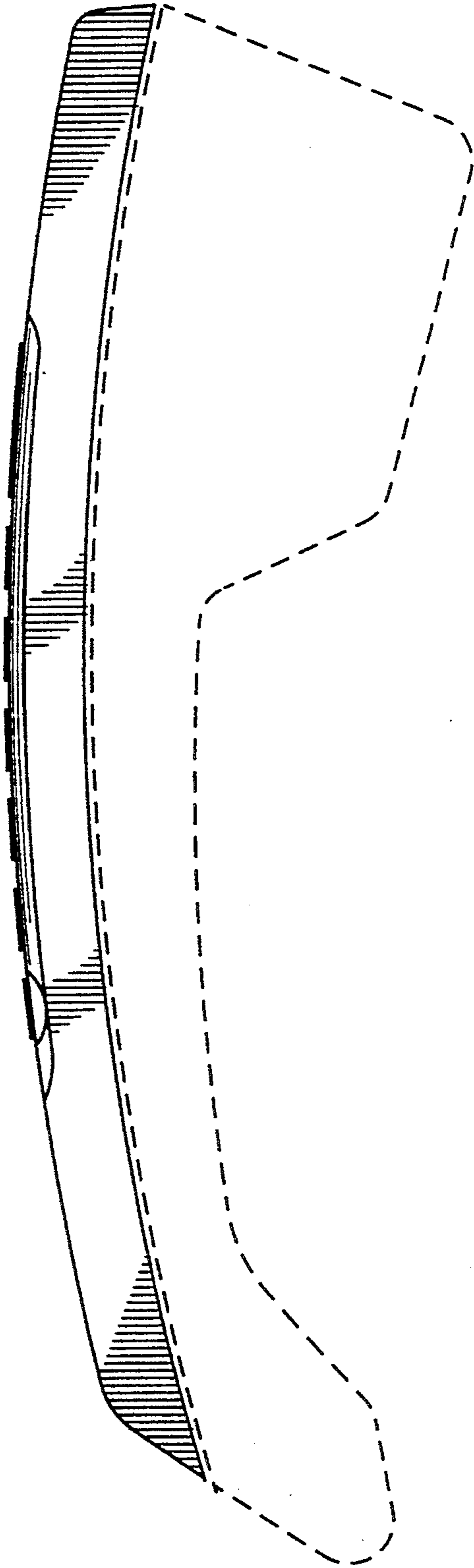
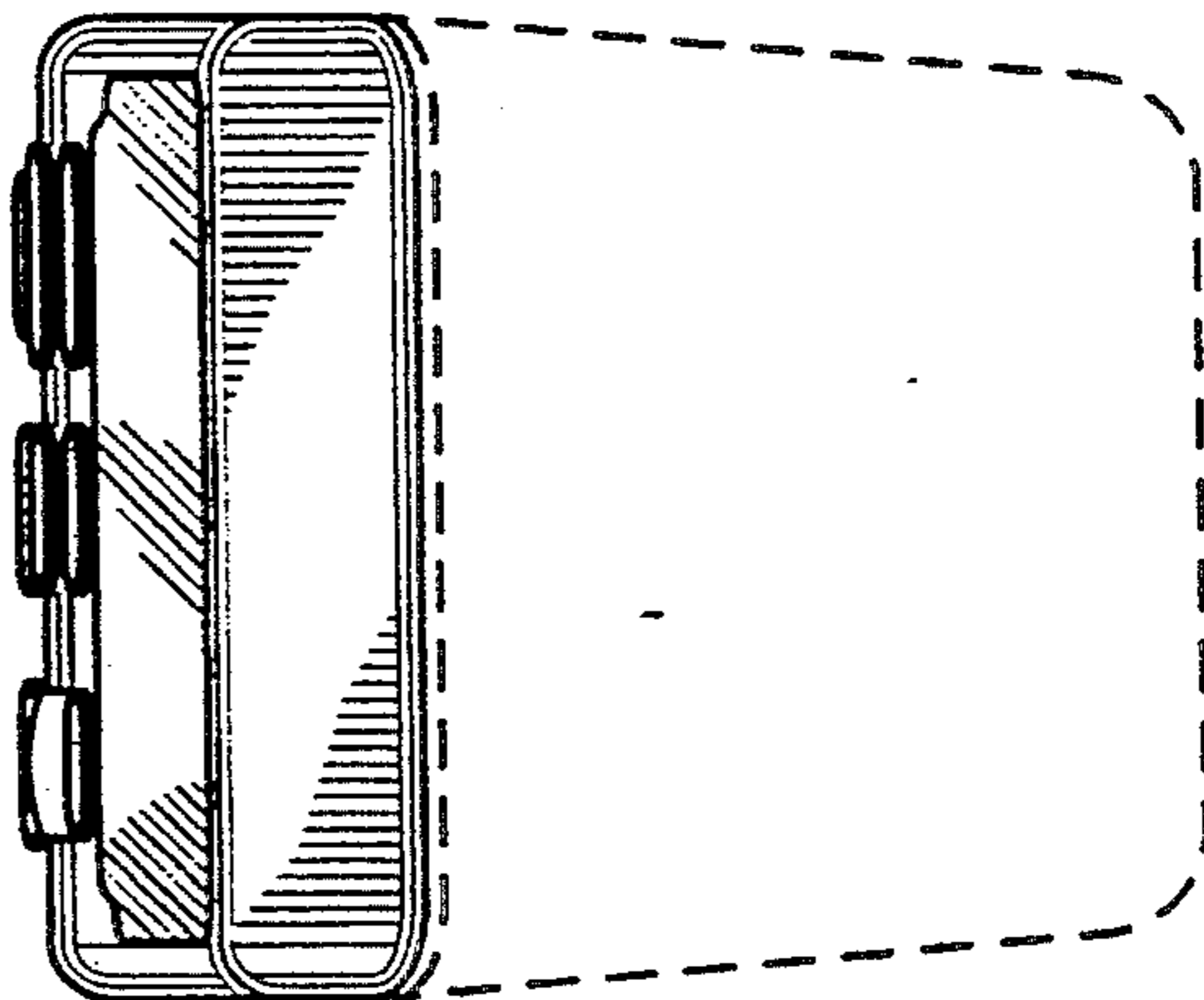


FIG. 3



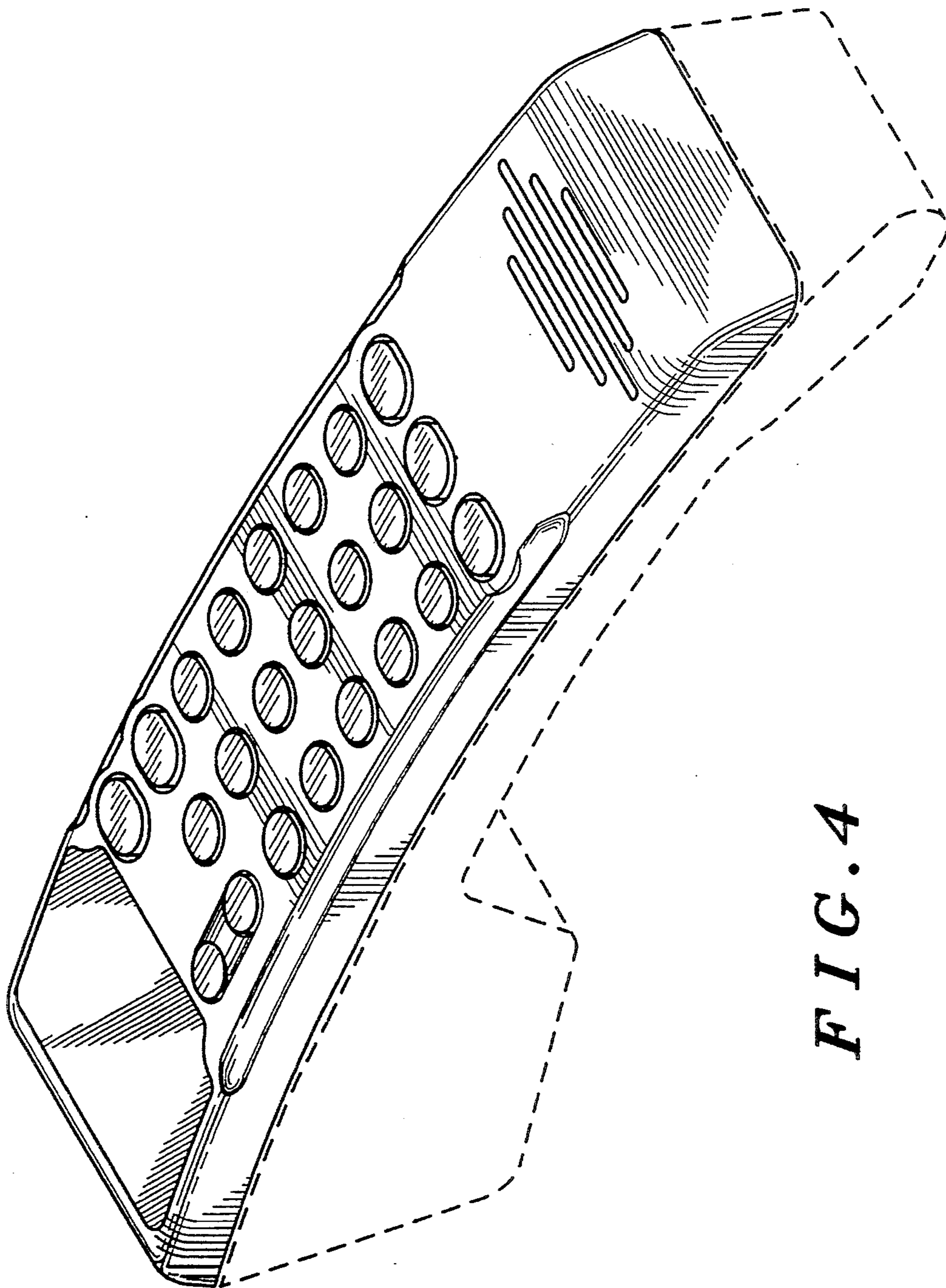


FIG. 4