



US00D357678S

United States Patent [19]

Meyer

[11] Patent Number: **Des. 357,678**

[45] Date of Patent: **** Apr. 25, 1995**

[54] **ACOUSTICAL RANGING TRANSCEIVER**

5,264,863 11/1993 Miner, Jr. et al. 343/713 X

[75] Inventor: **John D. Meyer**, Berkeley, Calif.

Primary Examiner—Terry A. Wallace
Attorney, Agent, or Firm—Donald L. Beeson

[73] Assignee: **Meyer Sound Laboratories Incorporated**, Berkeley, Calif.

[57] **CLAIM**

[**] Term: **14 Years**

The ornamental design for an acoustical ranging transceiver, as shown and described.

[21] Appl. No.: **13,914**

DESCRIPTION

[22] Filed: **Oct. 6, 1993**

[52] U.S. Cl. **D14/137**

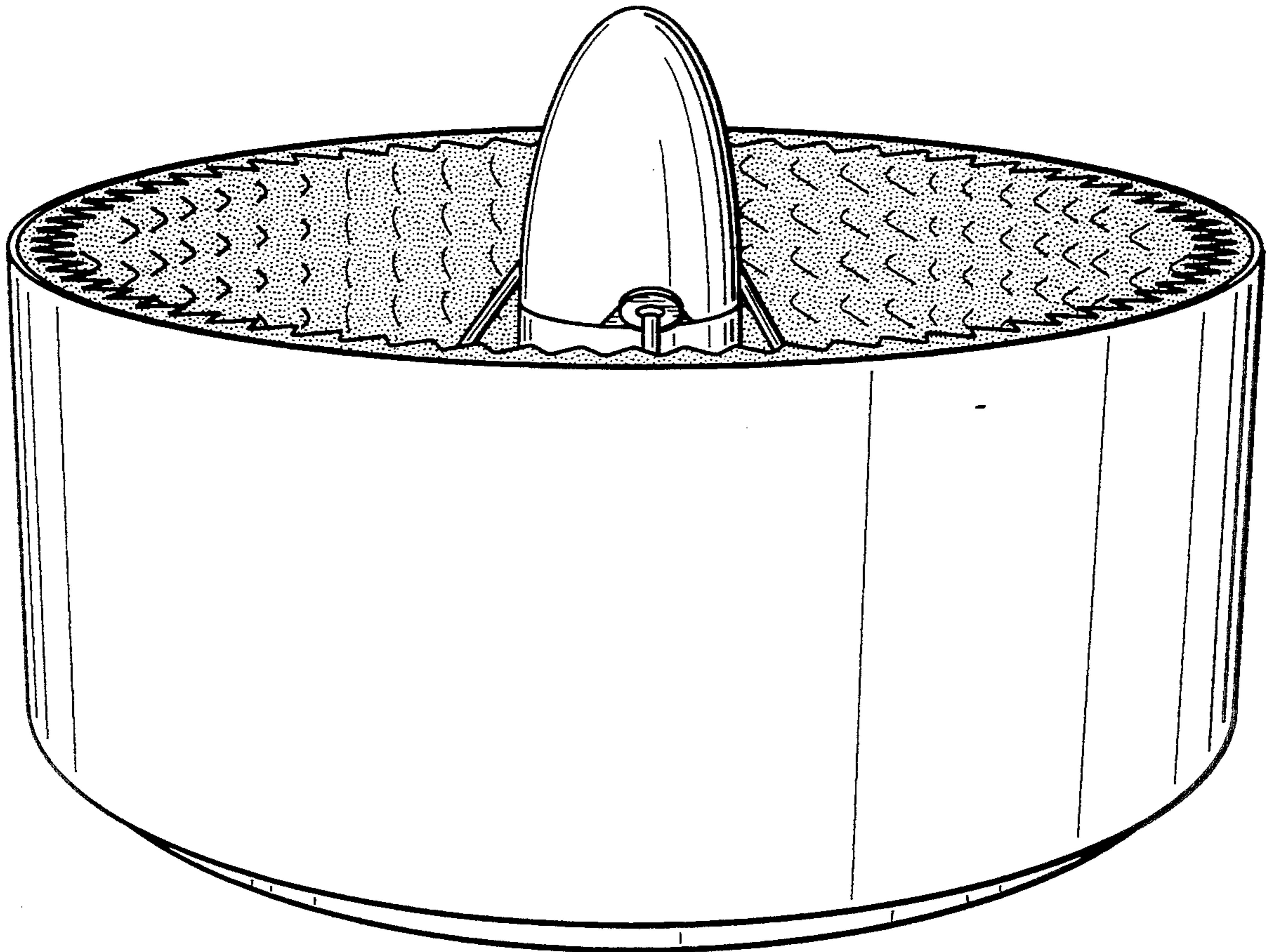
[58] Field of Search D14/124, 155, 137, 299;
343/713, 900; 455/347, 73, 90, 899; D10/46

FIG. 1 is a top perspective view of an acoustical ranging transceiver showing my new design;
FIG. 2 is a front elevational view thereof, the rear and side views being identical thereto;
FIG. 3 is a top plan view thereof;
FIG. 4 is a bottom plan view thereof; and,
FIG. 5 is a cross-sectional, side elevational view thereof taken generally along the line 5-5 of FIG. 3.

[56] **References Cited**

U.S. PATENT DOCUMENTS

4,494,123 1/1985 Moore et al. 343/900



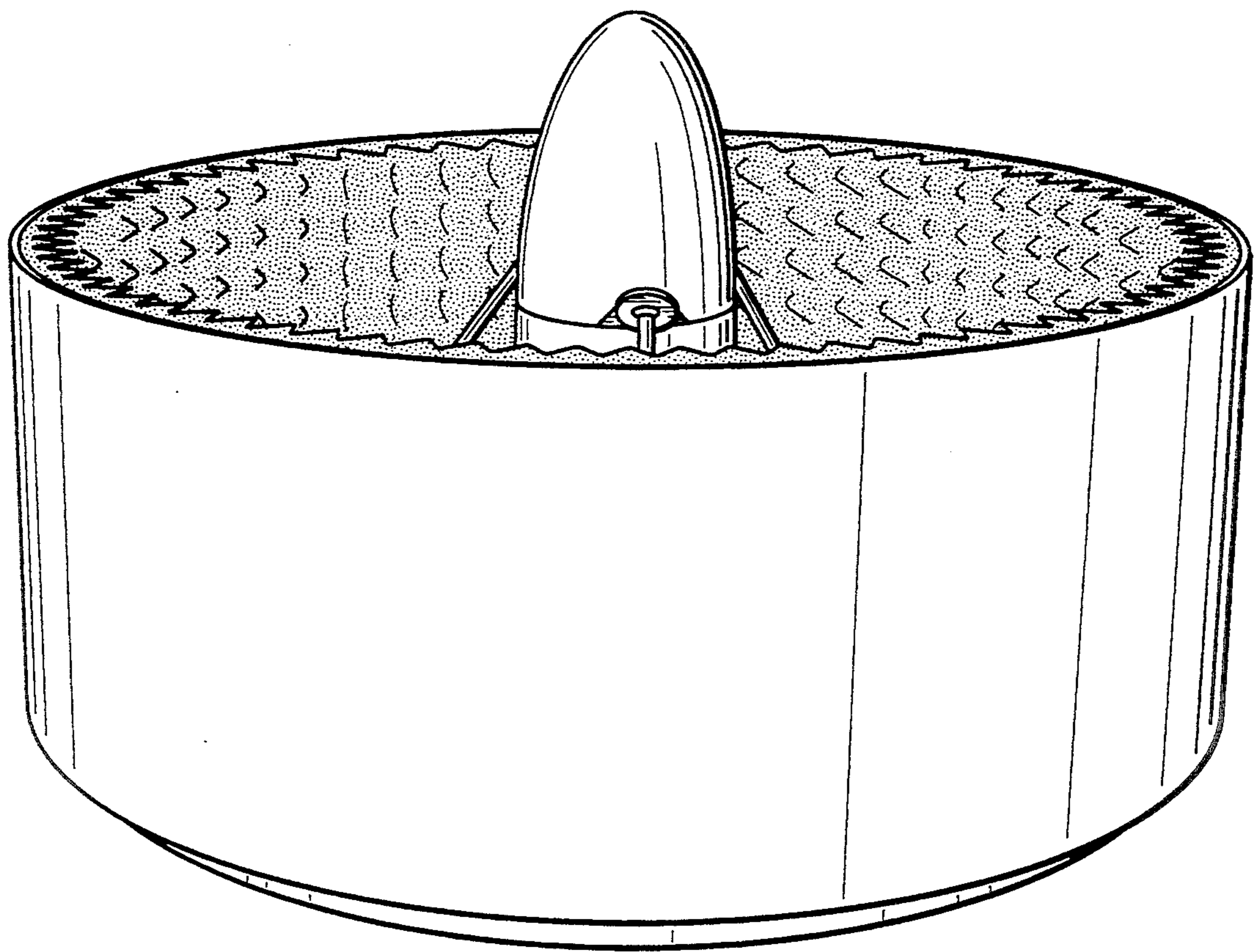


FIG. 1

FIG. 2

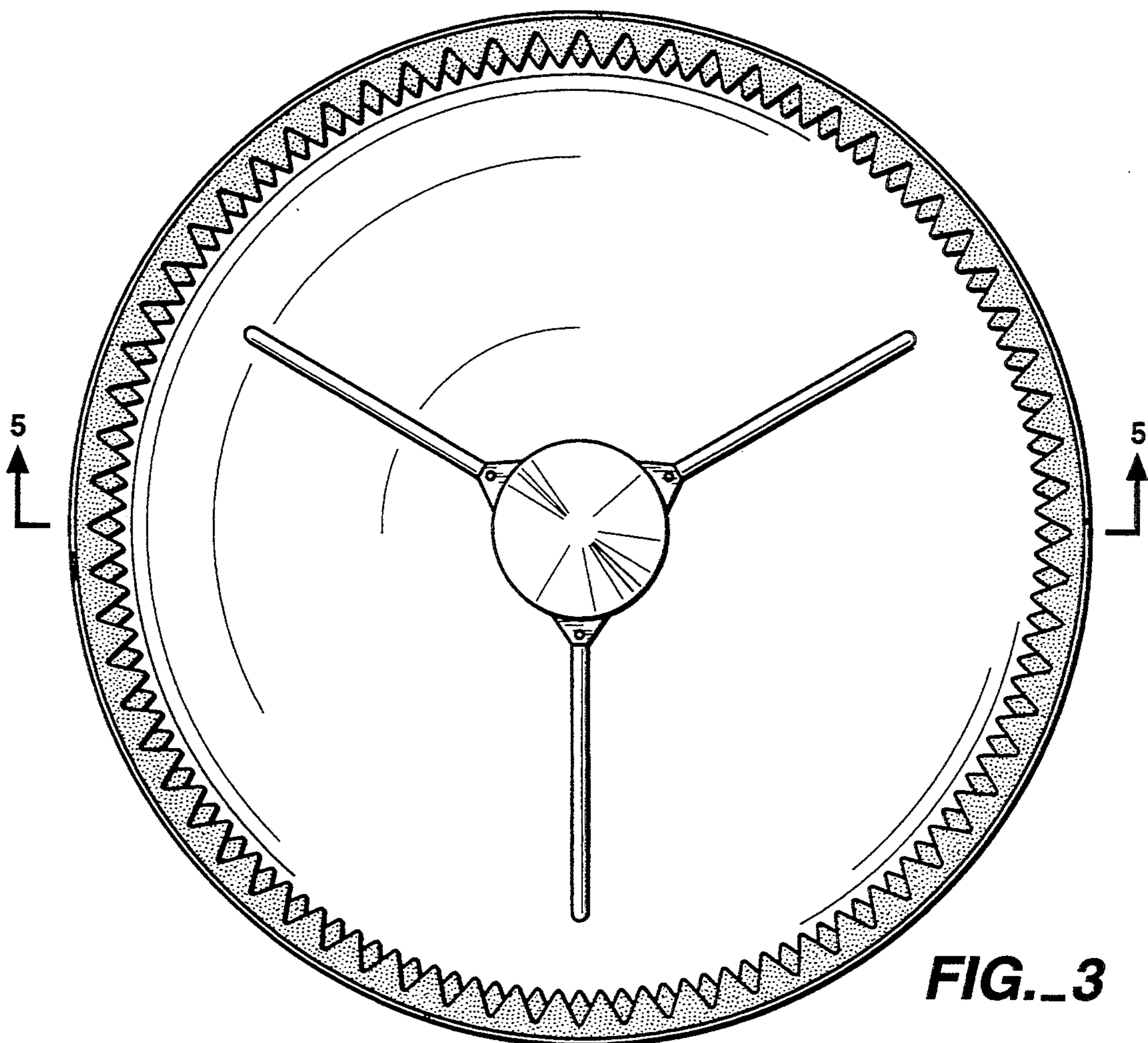
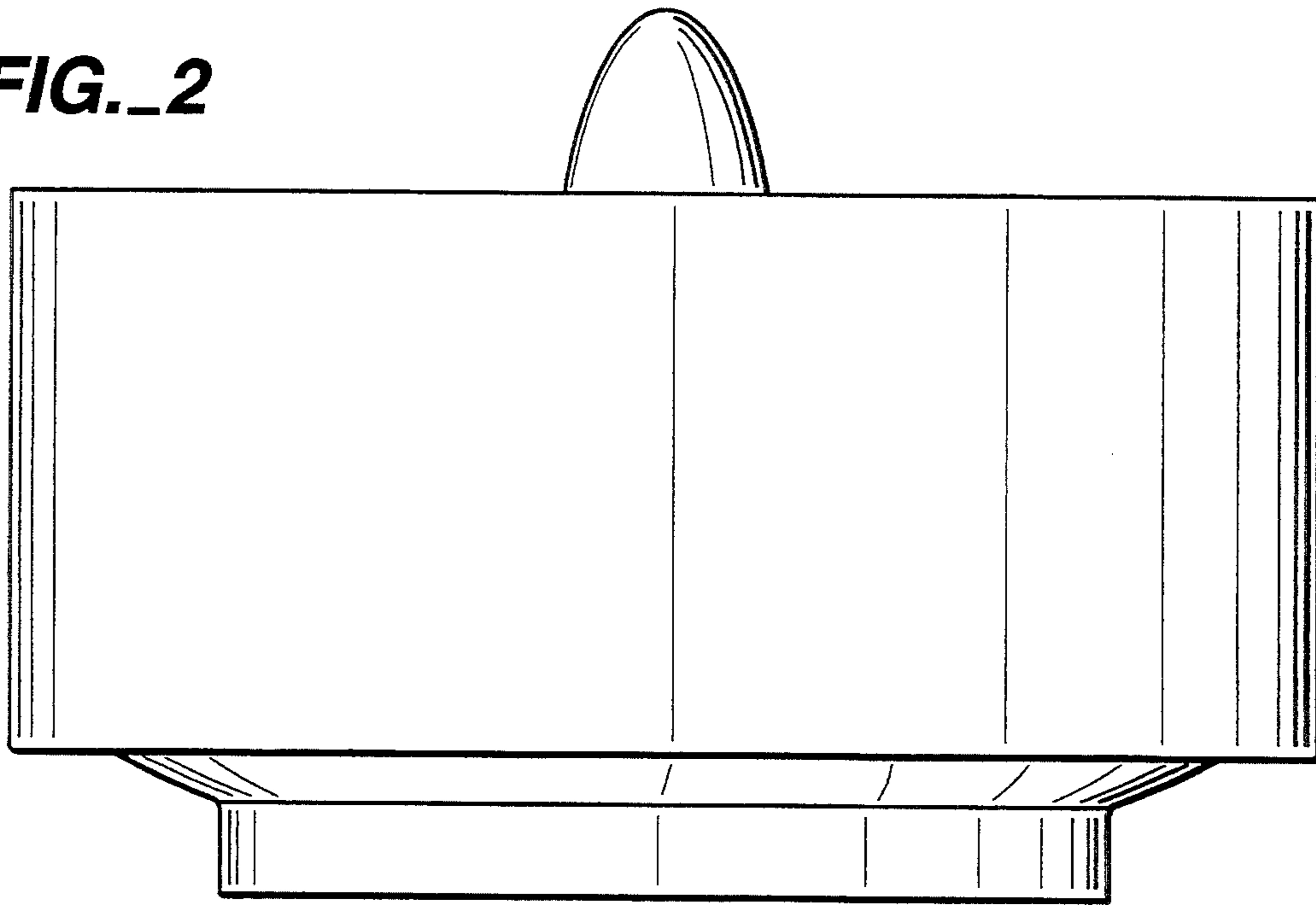


FIG. 3

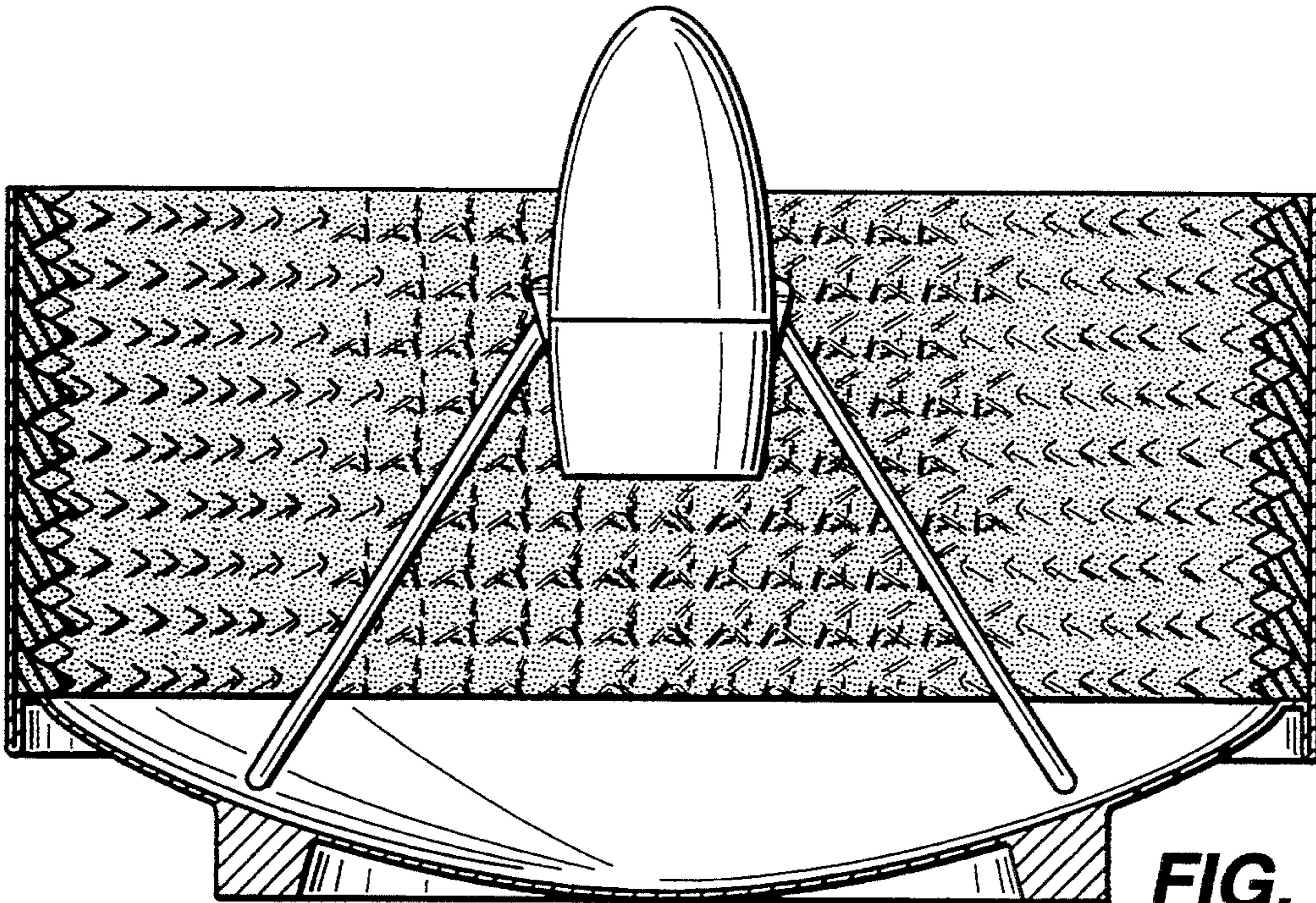


FIG. 5

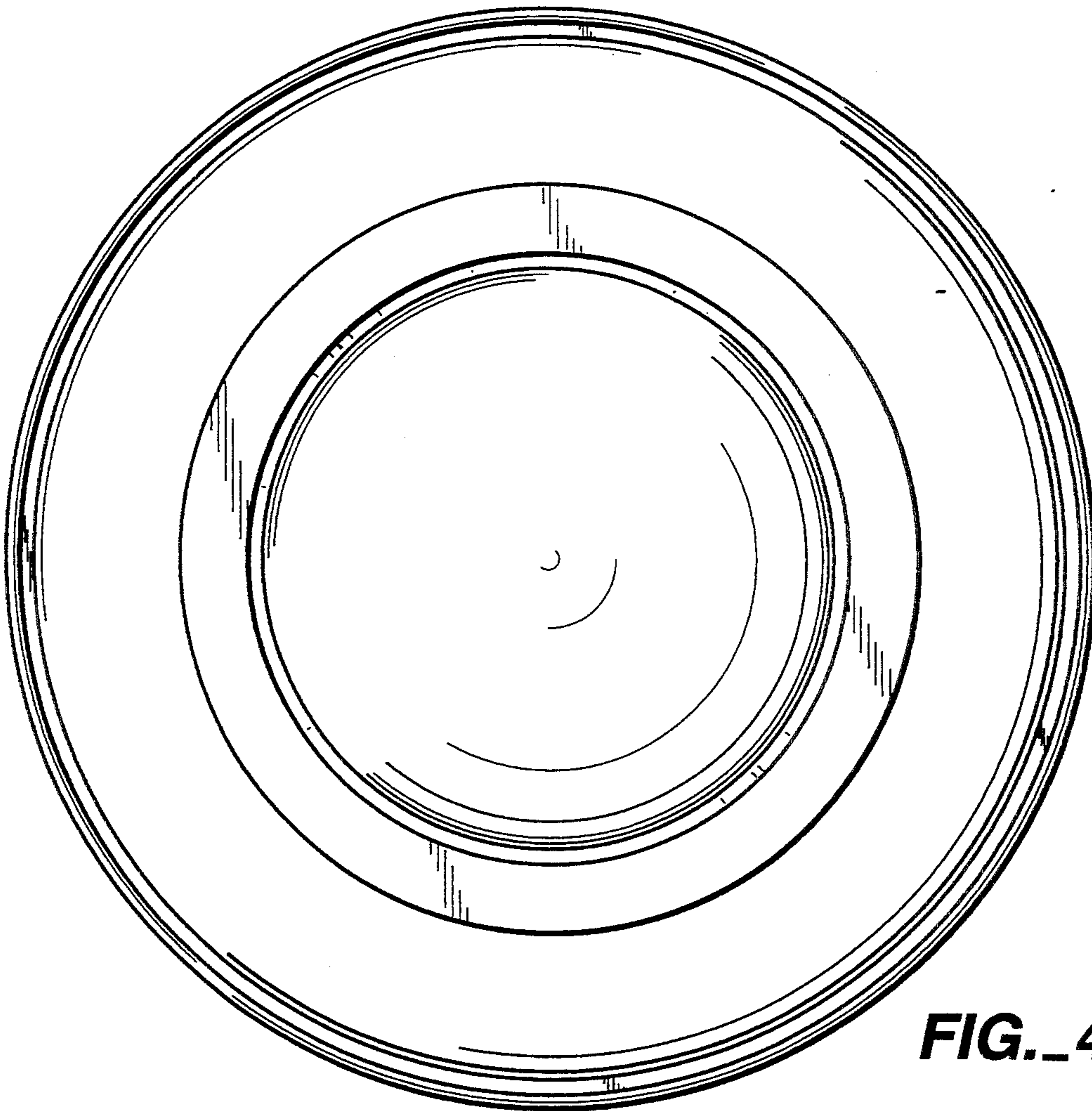


FIG. 4