



US00D357674S

United States Patent [19] Mizusugi

[11] Patent Number: **Des. 357,674**
[45] Date of Patent: **** Apr. 25, 1995**

[54] **COMPUTER**

[75] Inventor: **Kanji Mizusugi, Mie, Japan**

[73] Assignee: **Sharp Kabushiki Kaisha, Osaka, Japan**

[**] Term: **14 Years**

[21] Appl. No.: **18,234**

[22] Filed: **Feb. 2, 1994**

[30] **Foreign Application Priority Data**

Aug. 4, 1993 [JP] Japan 5-24011

[52] U.S. Cl. **D14/106**

[58] Field of Search D14/100, 101, 106, 113, D14/115, 124-127; D18/1, 2, 7, 11, 12; 235/145 A, 145 R; 345/104, 156, 168, 173, 87, 901-905, 167; 341/22, 23; 361/679-686; 364/708.1, 709.04, 709.12; 400/486, 489

[56] **References Cited**

U.S. PATENT DOCUMENTS

- D. 312,822 12/1990 Watabe et al. D14/106
- D. 330,016 10/1992 Mizusugi et al. D14/106
- D. 332,782 1/1993 Kikuchi et al. D14/106
- D. 334,182 3/1993 Mizusugi et al. D14/106
- D. 335,124 4/1993 Mizusugi et al. D14/106
- D. 337,996 8/1993 Lin D14/106
- D. 338,880 8/1993 Mizusugi et al. D14/106
- D. 339,114 9/1993 Mizusugi et al. D14/106

- D. 340,920 11/1993 Okuda et al. D14/106
- D. 340,921 11/1993 Mizusugi et al. D14/106
- D. 343,167 1/1994 Mizusugi et al. D14/106
- D. 344,496 2/1994 Mizusugi et al. D14/106
- D. 345,149 3/1994 Toedter et al. D14/106
- D. 345,552 3/1994 Mundt D14/106

*Primary Examiner—Freda S. Nunn
Attorney, Agent, or Firm—Nixon & Vanderhye*

[57] **CLAIM**

The ornamental design for a computer, as shown and described.

DESCRIPTION

FIG. 1 is a reduced top, front and right side perspective view of a computer showing my new design in the open position;

FIG. 2 is a top plan view thereof;

FIG. 3 is a front elevational view thereof;

FIG. 4 is a right side elevational view thereof;

FIG. 5 is a rear elevational view thereof;

FIG. 6 is a left side elevational view thereof;

FIG. 7 is a bottom plan view thereof;

FIG. 8 is a reduced top, front and right side perspective view thereof in the closed position;

FIG. 9 is a top plan view thereof;

FIG. 10 is a front elevational view thereof;

FIG. 11 is a right side elevational view thereof;

FIG. 12 is a rear elevational view thereof;

FIG. 13 is a left side elevational view thereof; and,

FIG. 14 is a bottom plan view thereof.

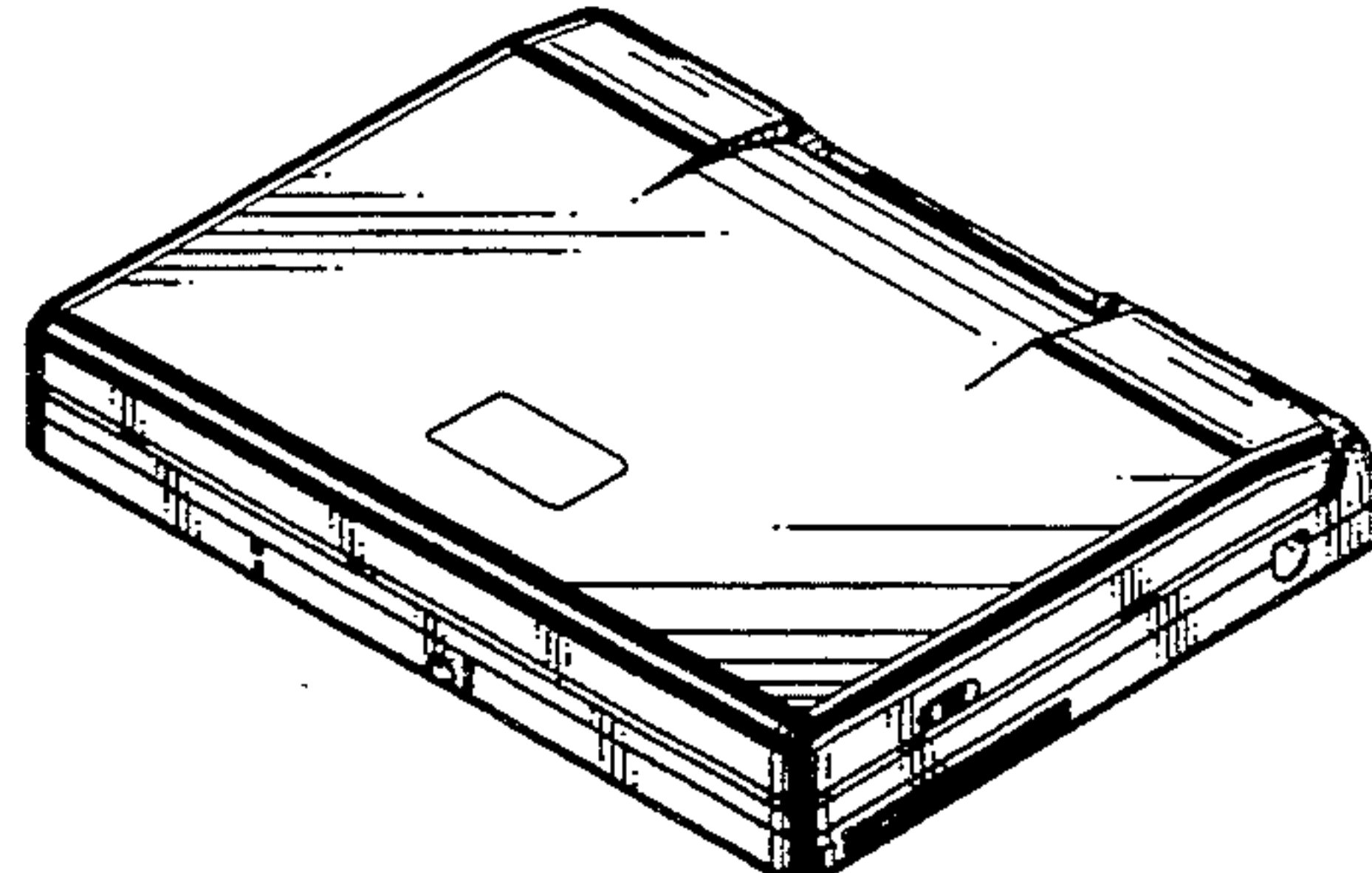
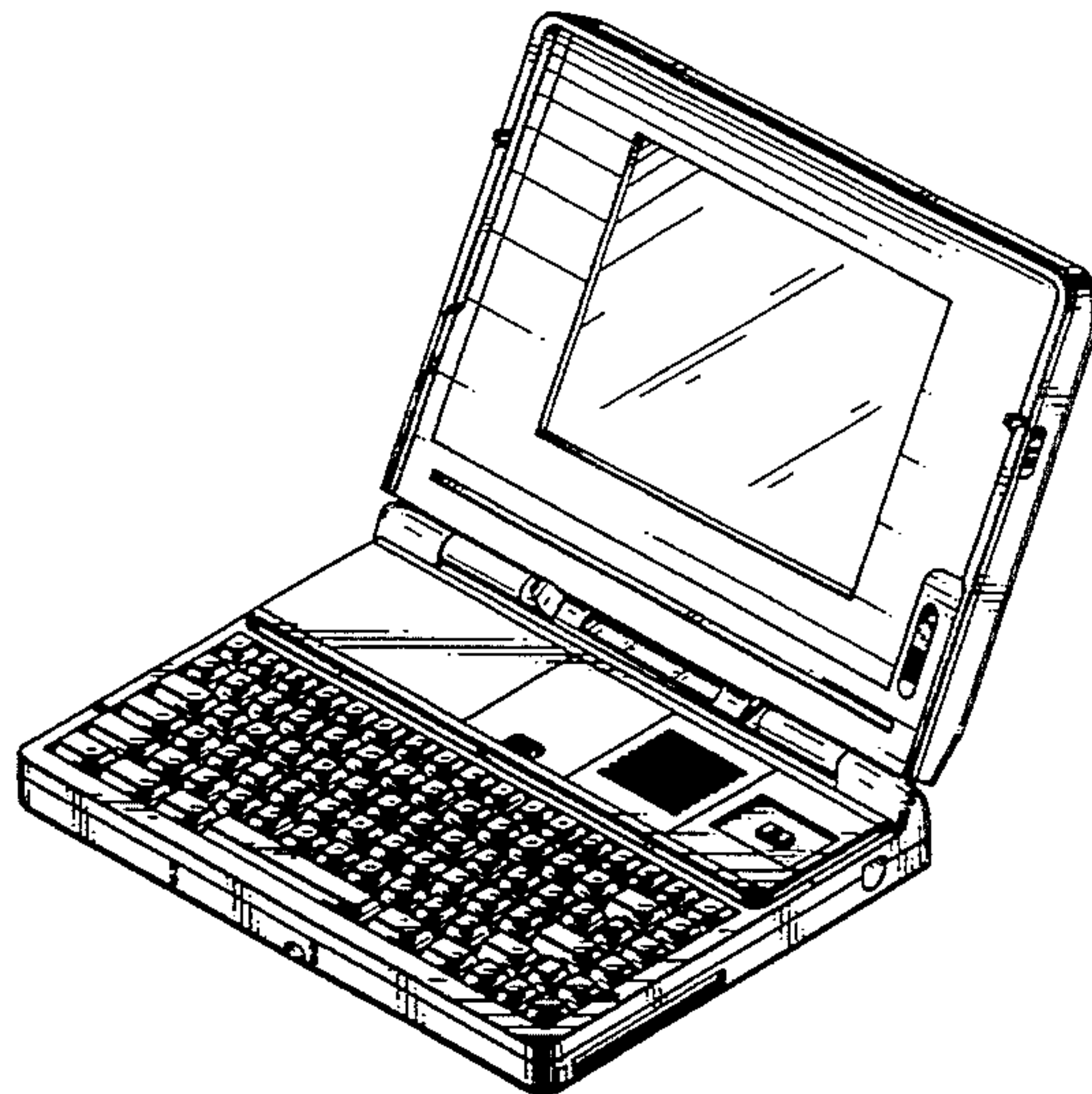


FIG. 1

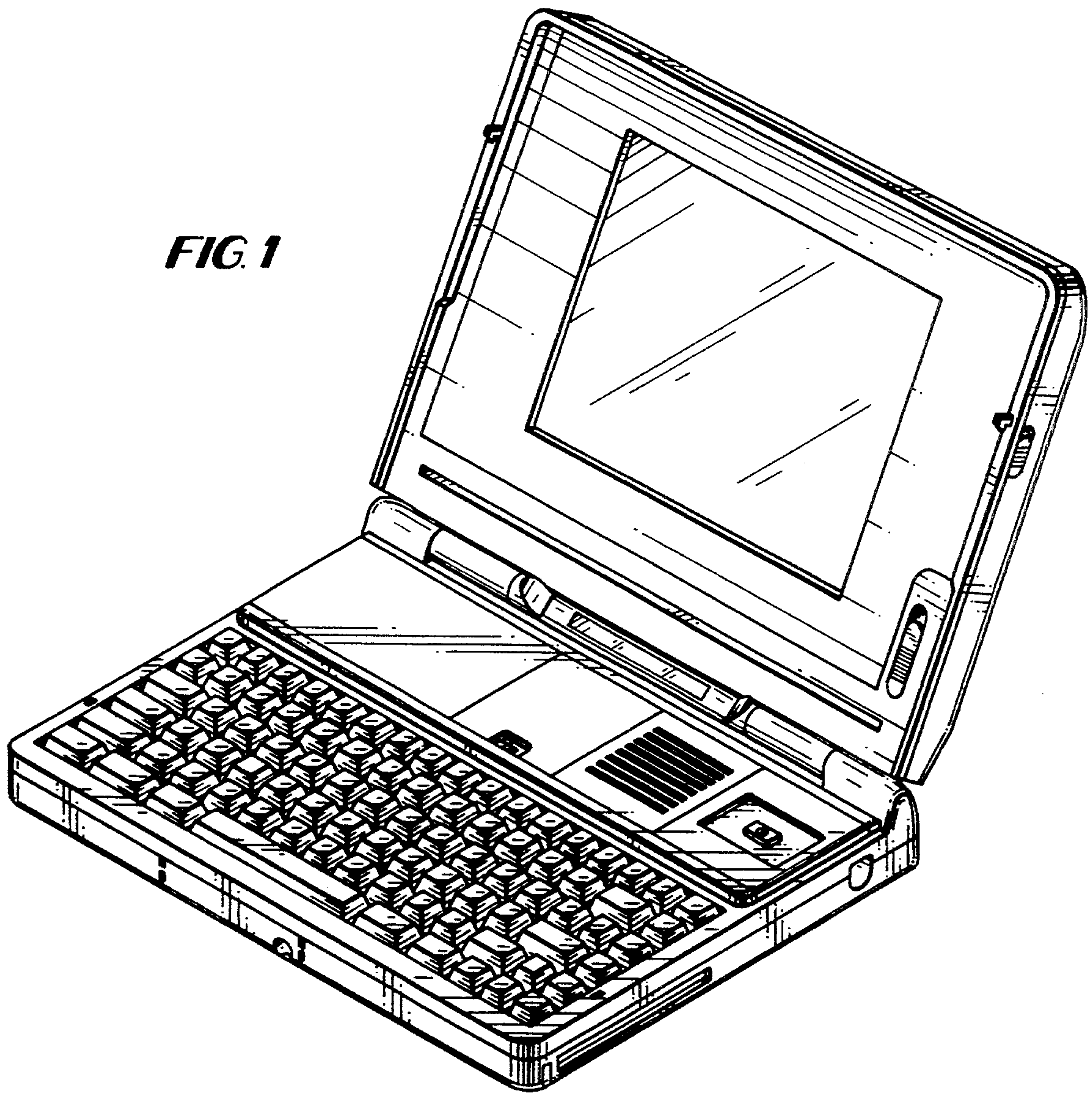


FIG. 2

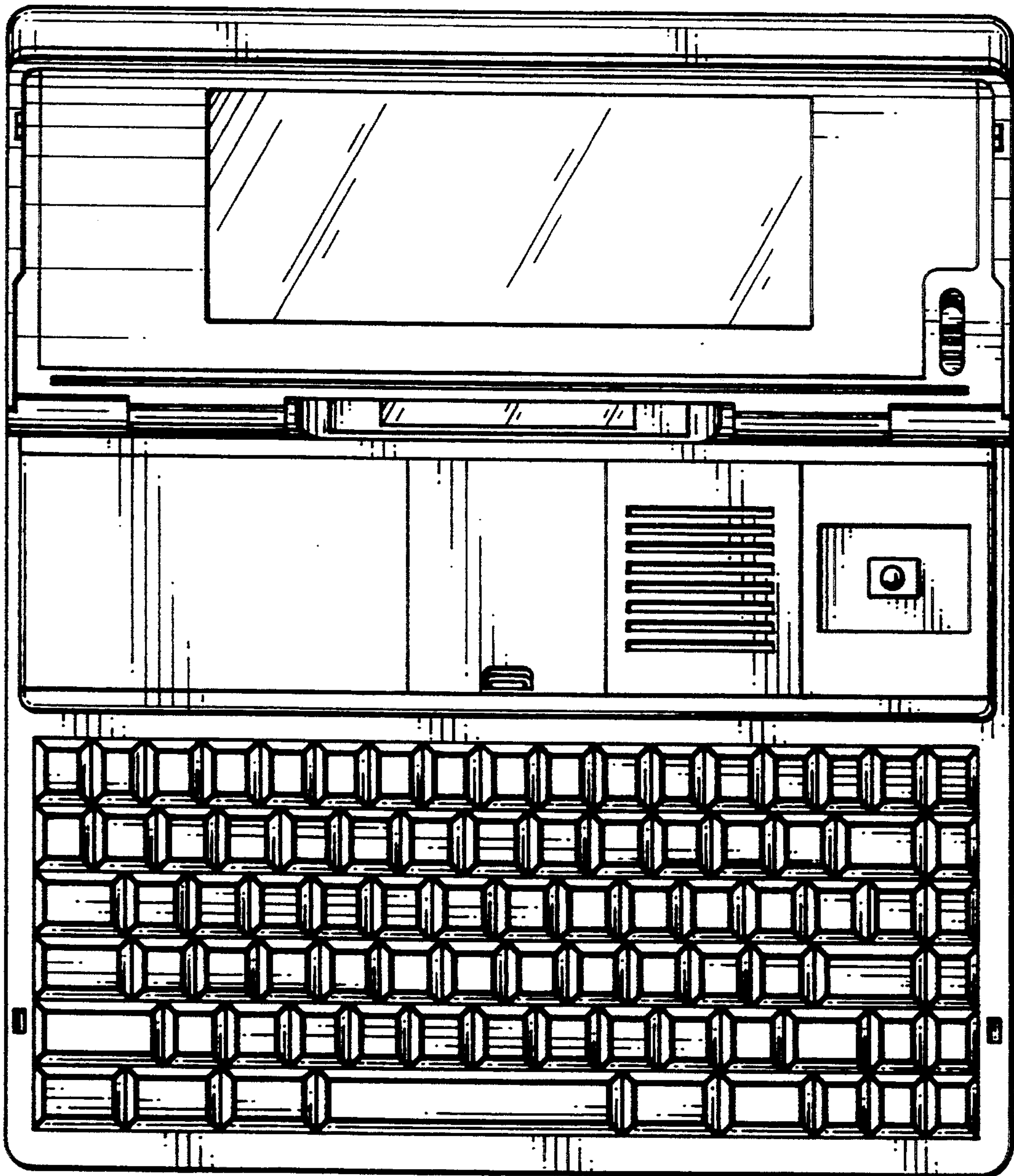
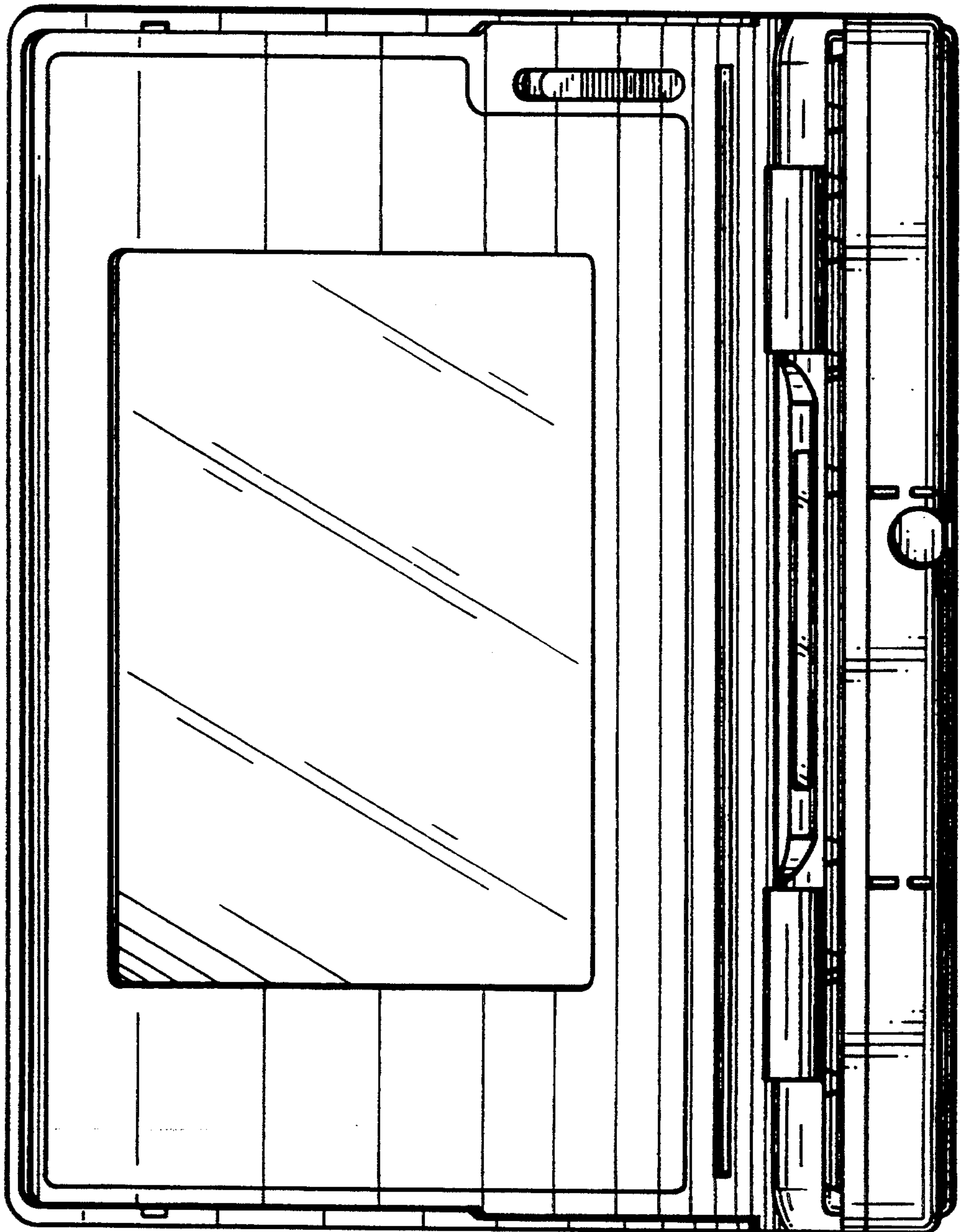


FIG. 3



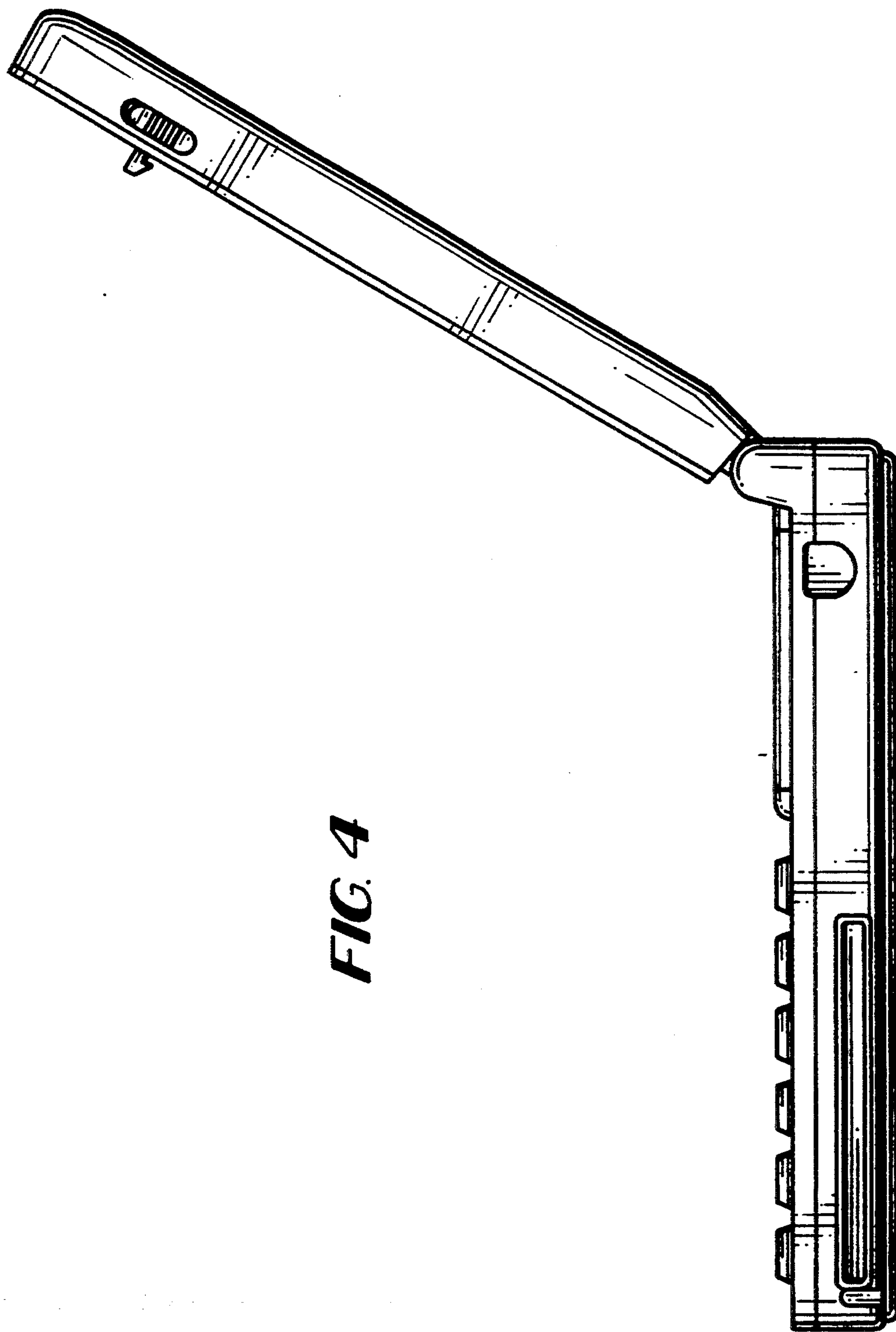


FIG. 4

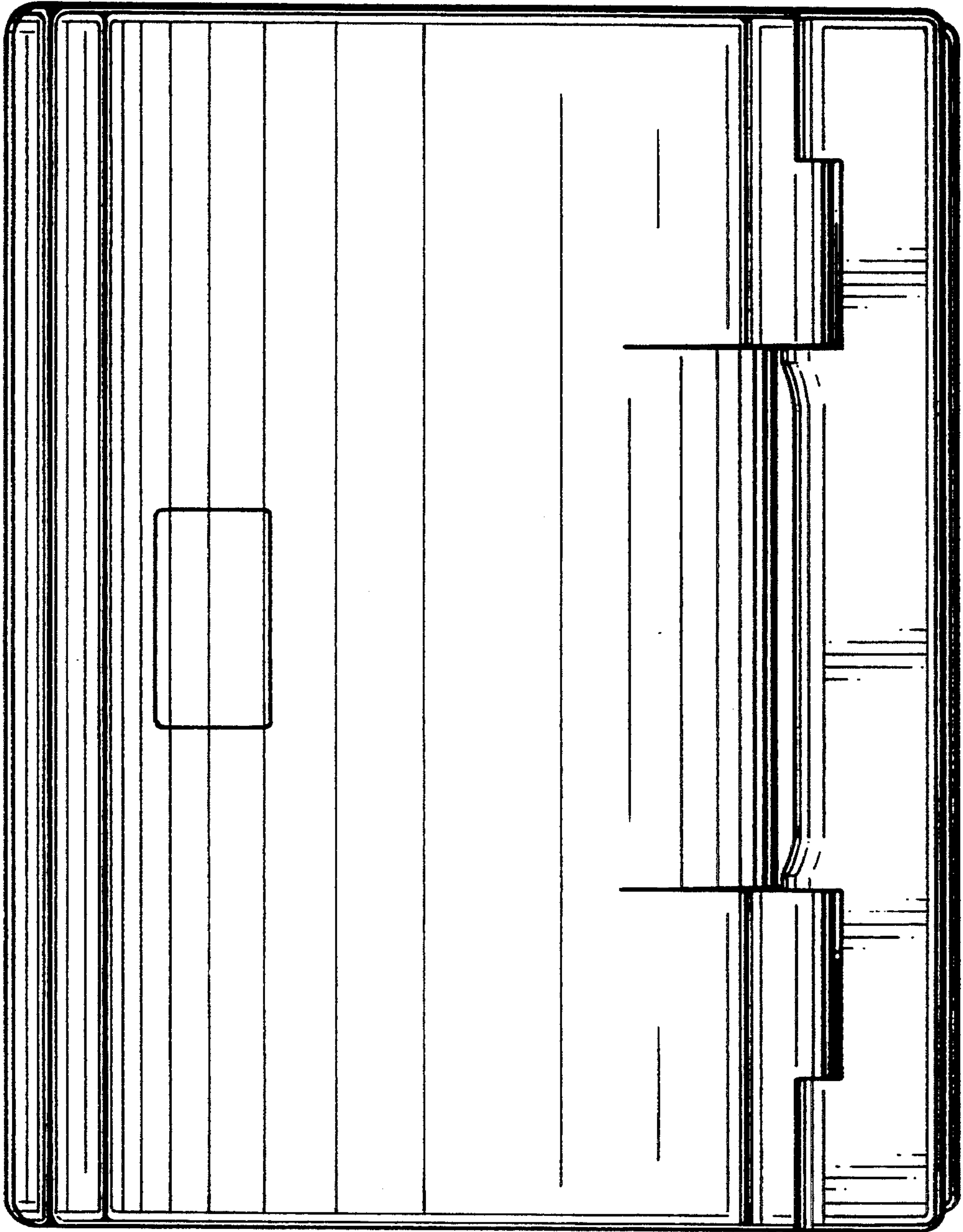


FIG. 5

FIG. 6

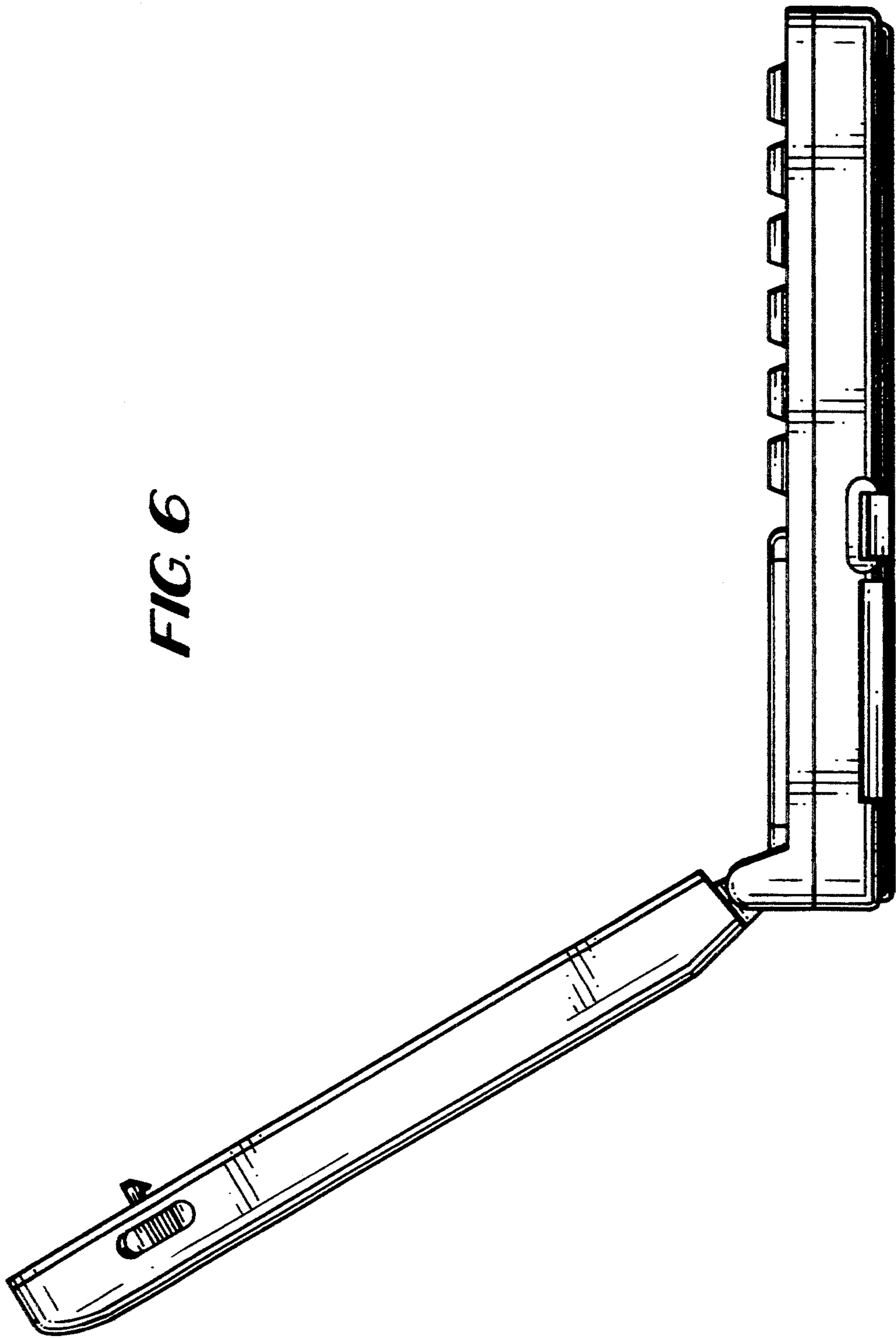


FIG. 7

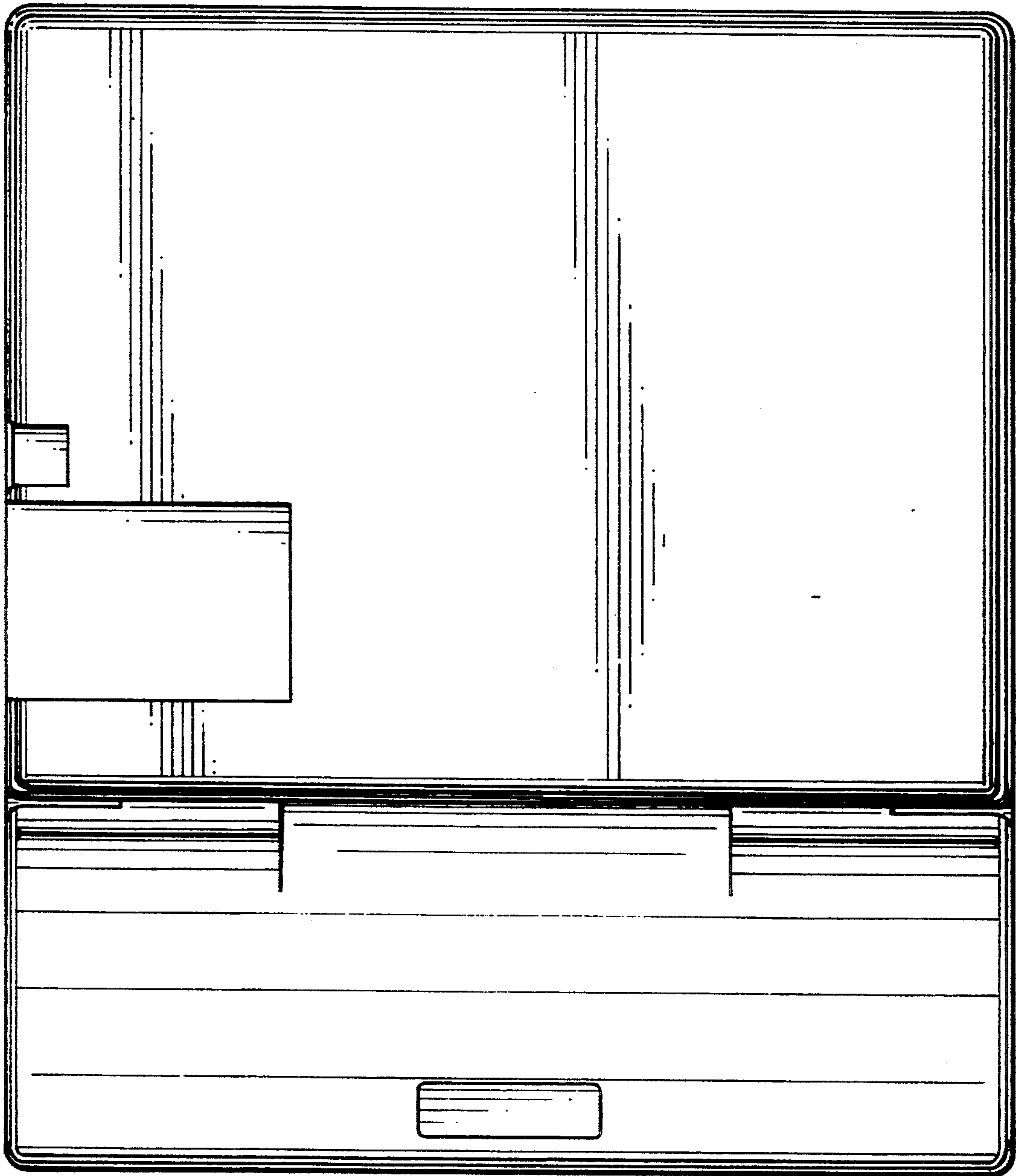


FIG. 8

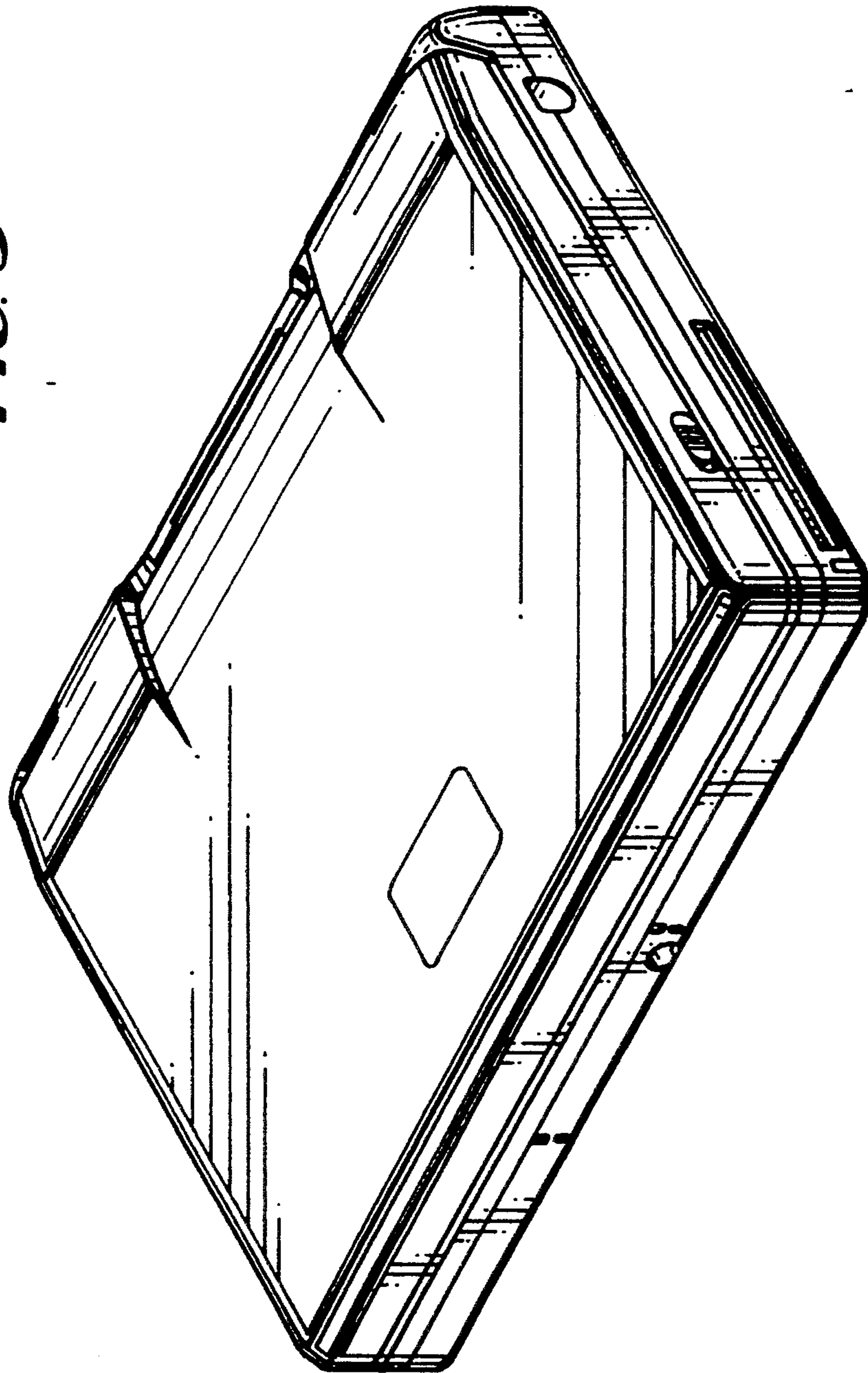


FIG. 9

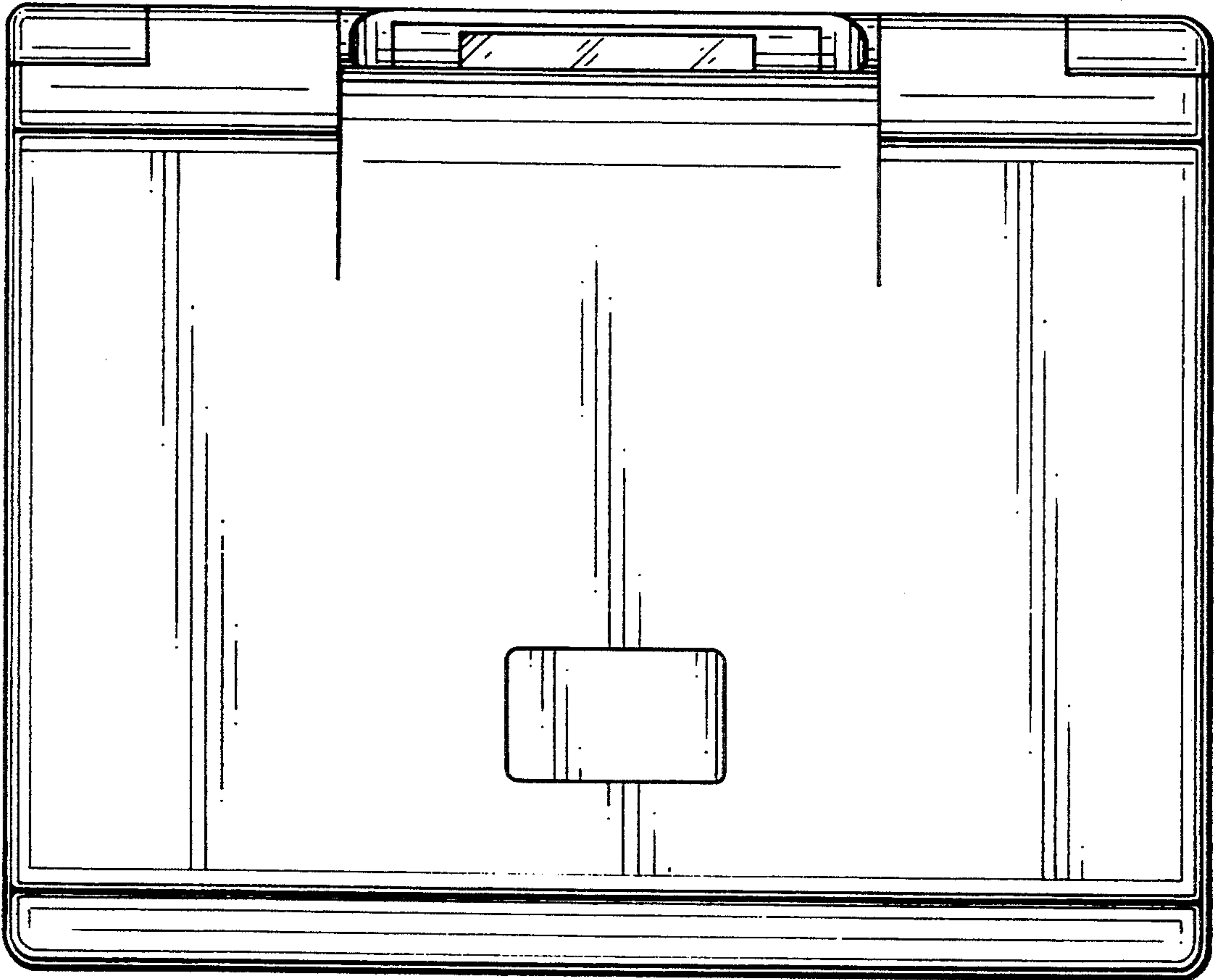


FIG. 10

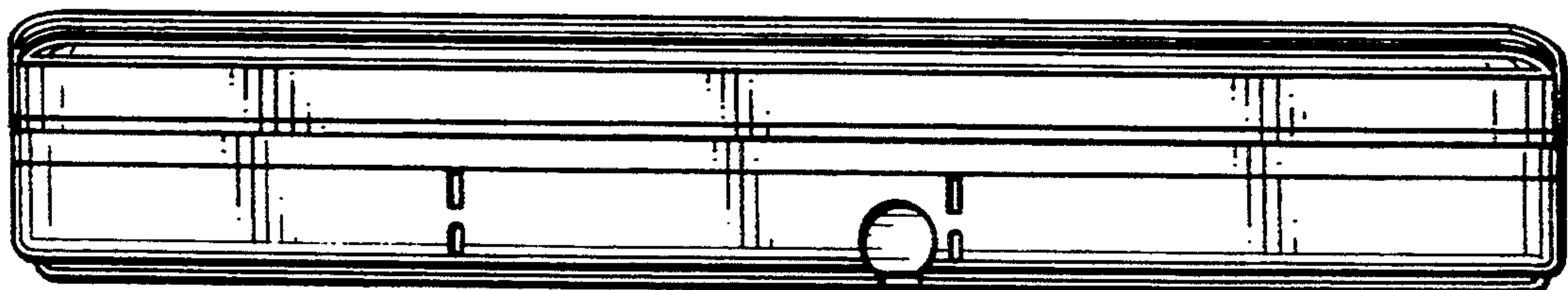


FIG. 11

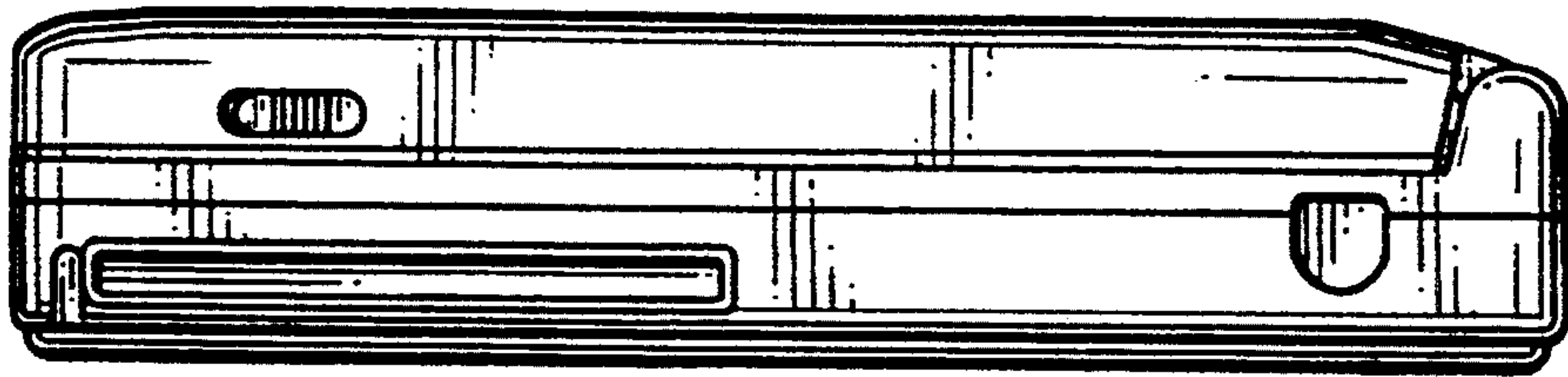


FIG. 12

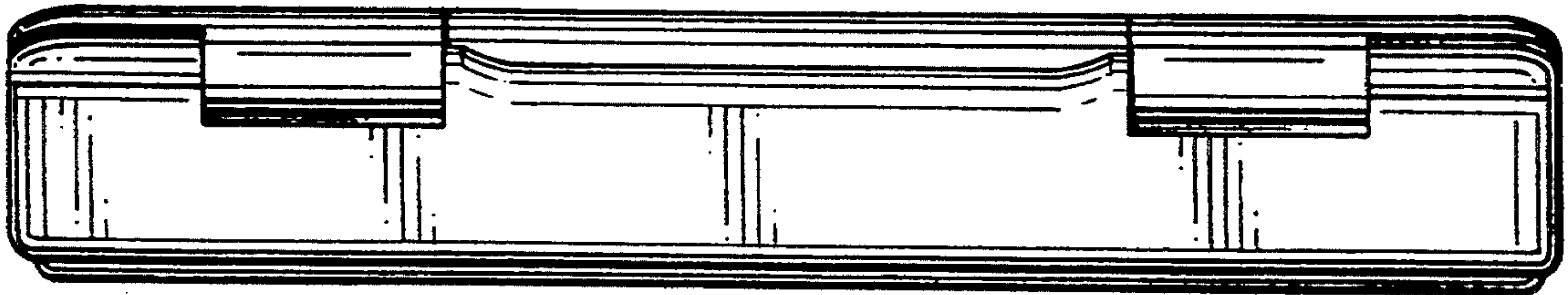
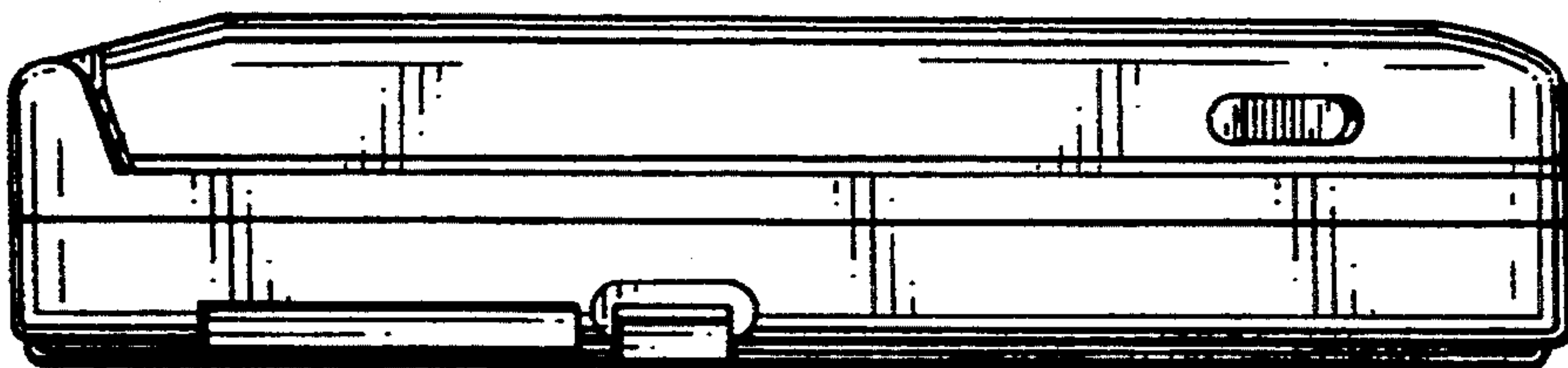


FIG. 13



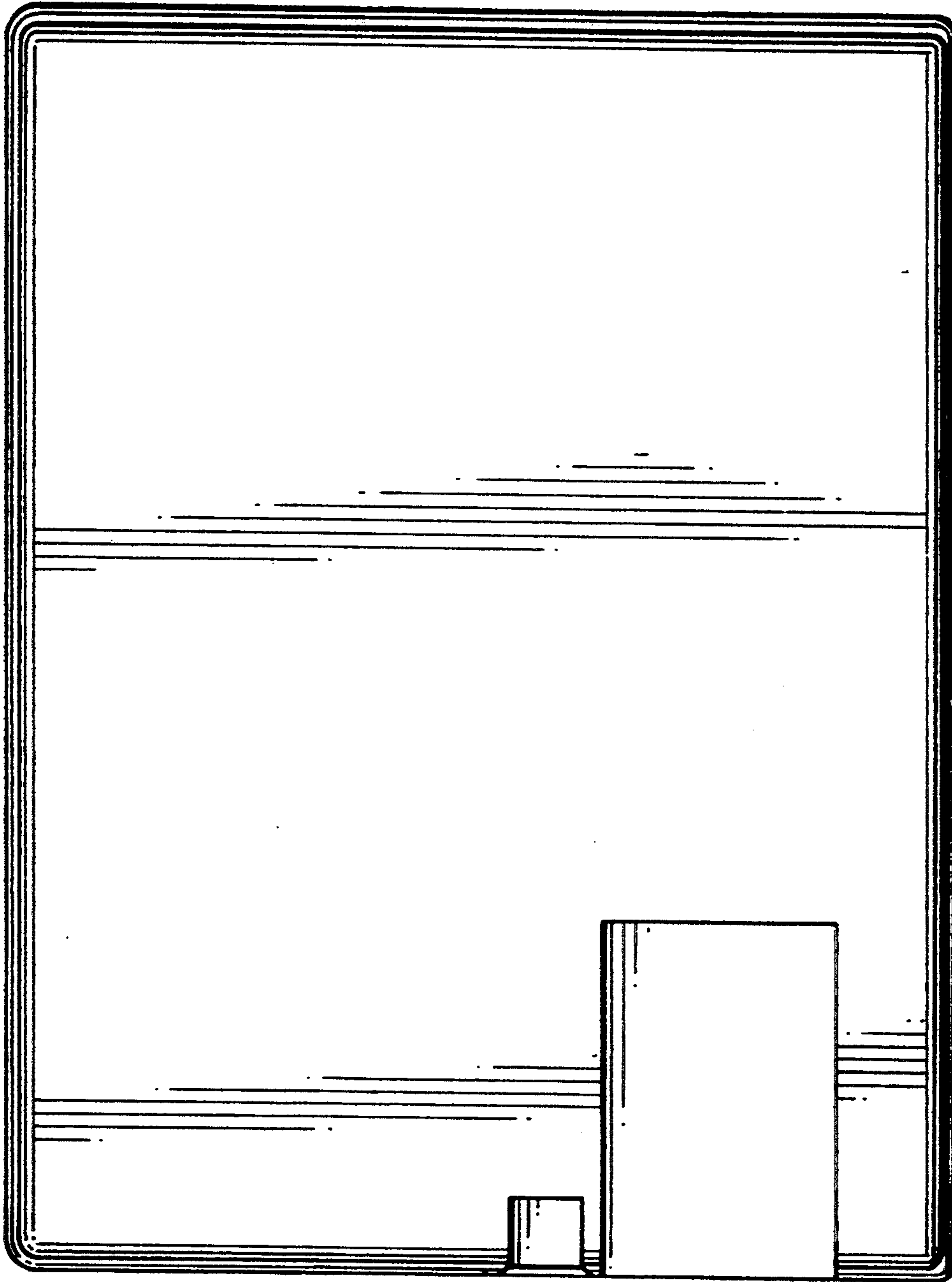


FIG. 14