



US00D357672S

United States Patent [19]

[11] Patent Number: **Des. 357,672**

Terasawa et al.

[45] Date of Patent: **** Apr. 25, 1995**

[54] **HYBRID INTEGRATED CIRCUIT FOR ELECTRIC POWER CONTROL**

[75] Inventors: **Noriho Terasawa; Shin Soyano**, both of Kanagawa, Japan

[73] Assignee: **Fuji Electric Co., Ltd.**, Kanagawa, Japan

[**] Term: **14 Years**

[21] Appl. No.: **19,287**

[22] Filed: **Feb. 28, 1994**

[30] **Foreign Application Priority Data**

Sep. 16, 1993 [JP]	Japan	5-27994
[52] U.S. Cl.		D13/182
[58] Field of Search		D13/110, 182; 174/52.4, 174/261; 257/724, 787; 361/760, 774, 784, 785, 813

[56] **References Cited**

U.S. PATENT DOCUMENTS

4,630,174	12/1986	Kaufman	174/52.4 X
5,057,648	10/1991	Blough et al.	174/52.4

FOREIGN PATENT DOCUMENTS

402154457	6/1990	Japan	257/724
404030459	2/1992	Japan	257/724

OTHER PUBLICATIONS

Powerex power control on p. 208 of *EDN*, Jan. 23, 1992.

Primary Examiner—Joel Sincavage
Attorney, Agent, or Firm—Sughrue, Mion, Zinn, Macpeak & Seas

[57] **CLAIM**

The ornamental design for a hybrid integrated circuit for electric power control, as shown.

DESCRIPTION

FIG. 1 is a perspective view of the top, front and right side of a hybrid integrated circuit for electric power control showing our new design; FIG. 2 is a front elevational view thereof; FIG. 3 is a top plan view thereof; FIG. 4 is a left side elevational view thereof; FIG. 5 is a right side elevational view thereof; FIG. 6 is a rear elevational view thereof; and, FIG. 7 is a bottom plan view thereof.

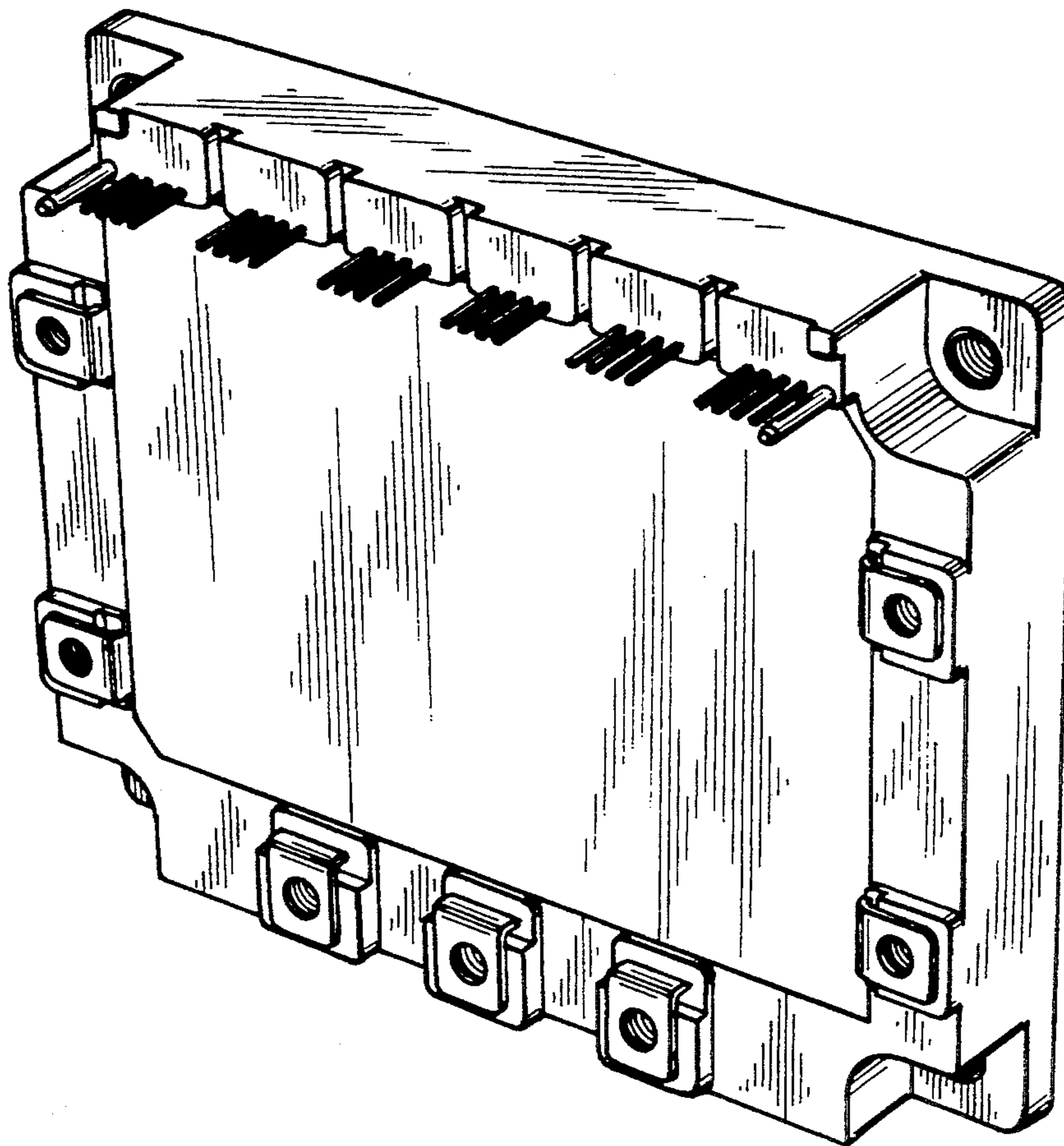


FIG. 1

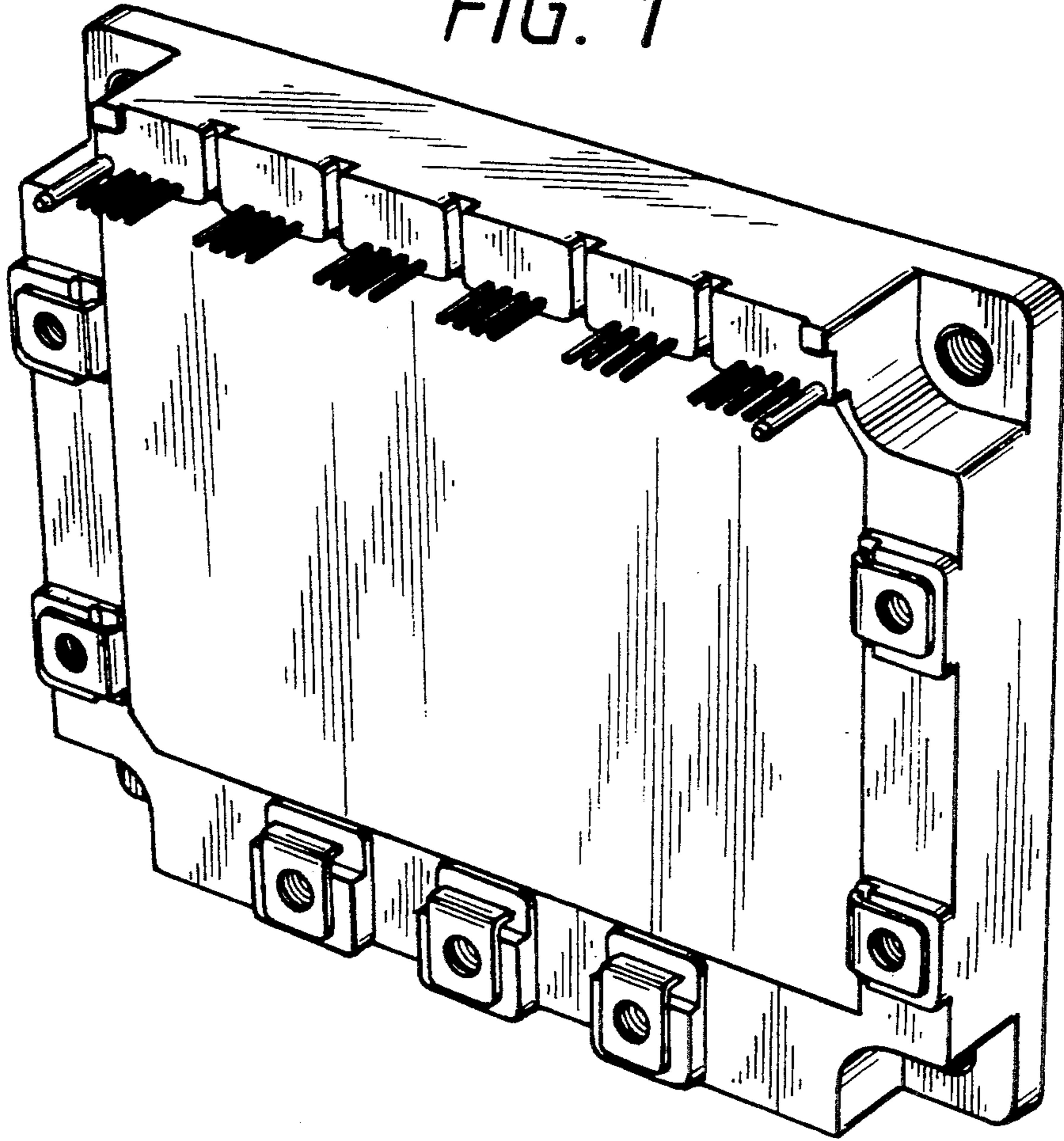


FIG. 2

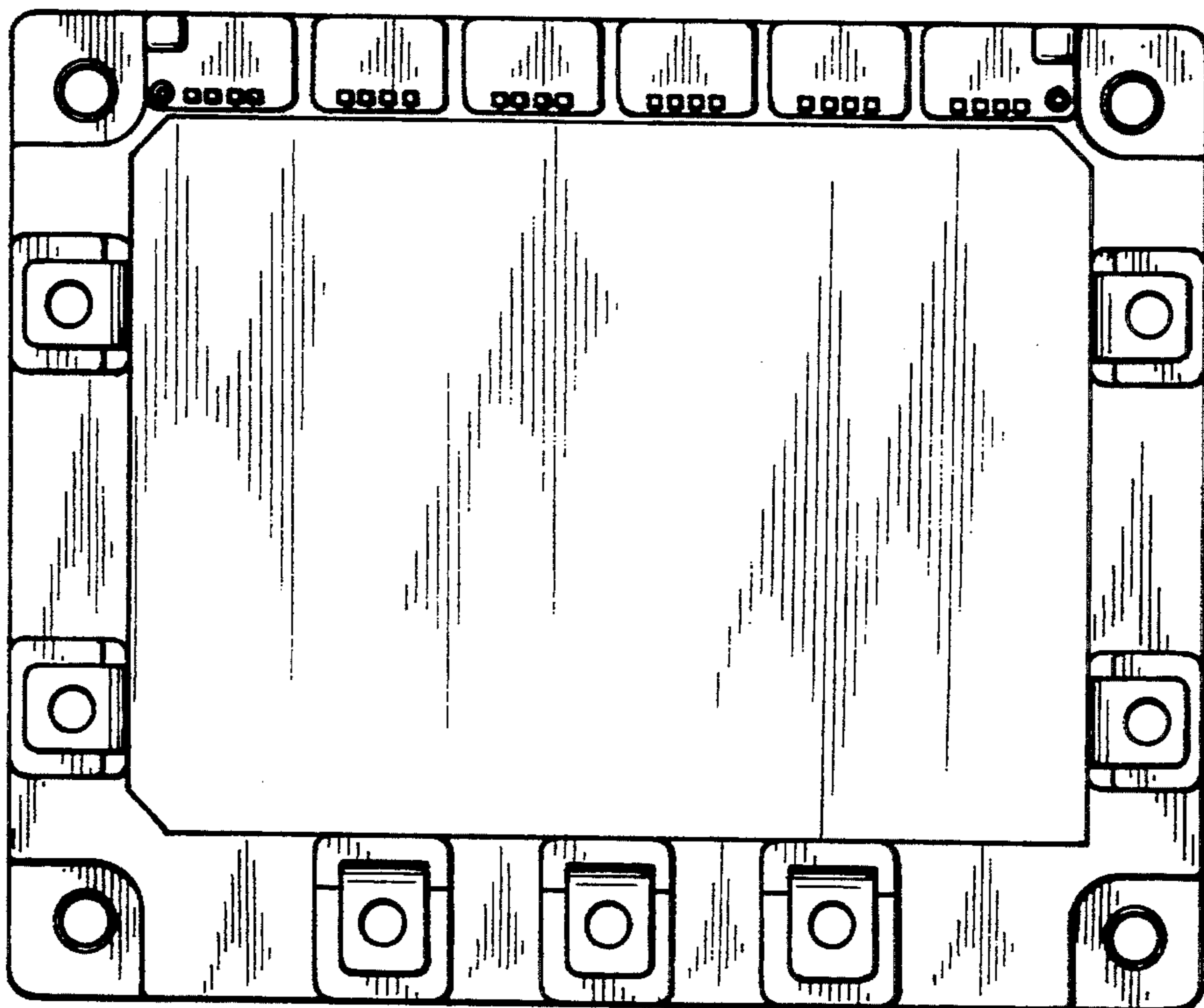


FIG. 3

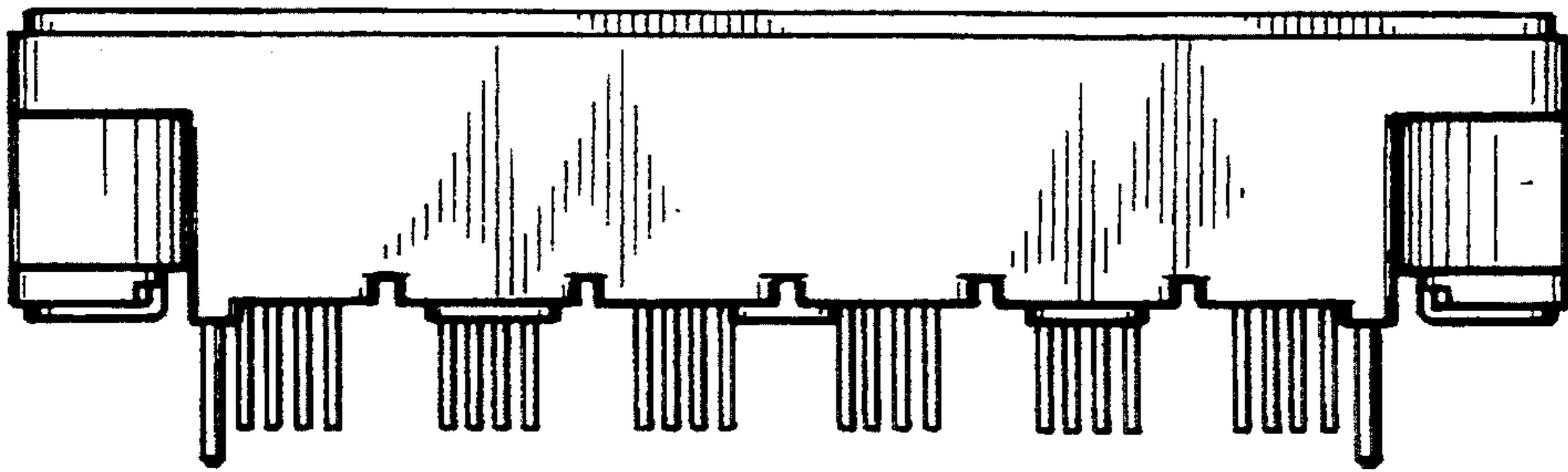


FIG. 4



FIG. 5

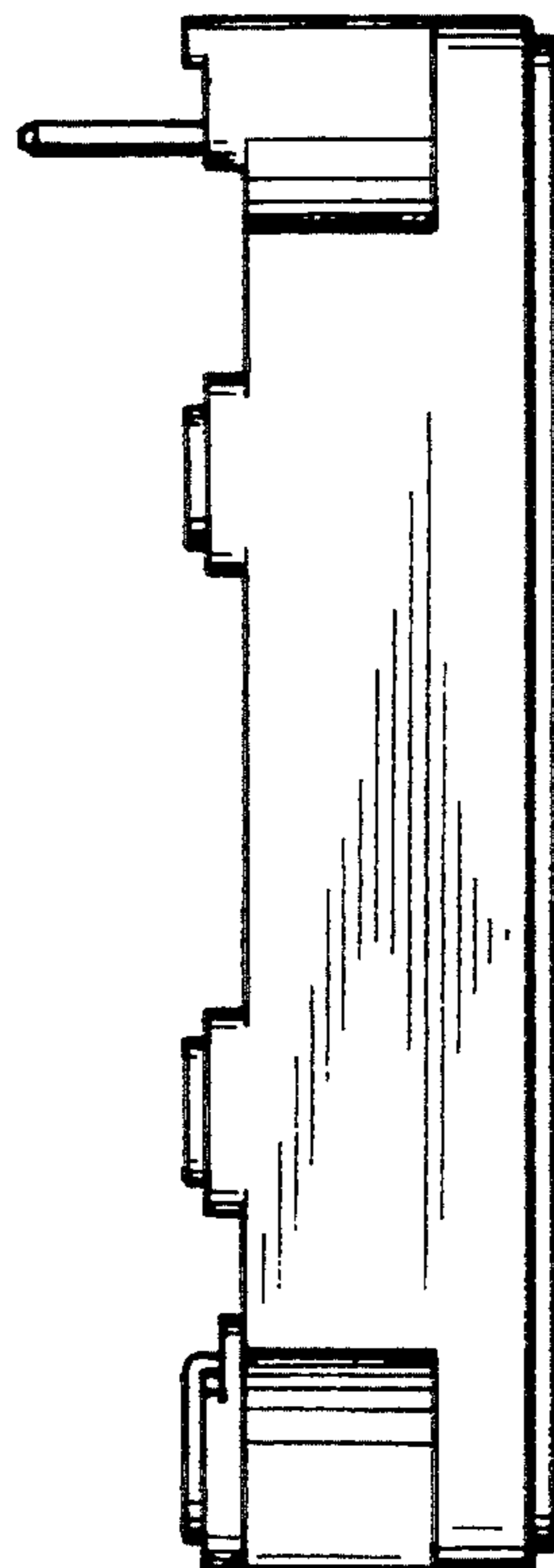


FIG. 6

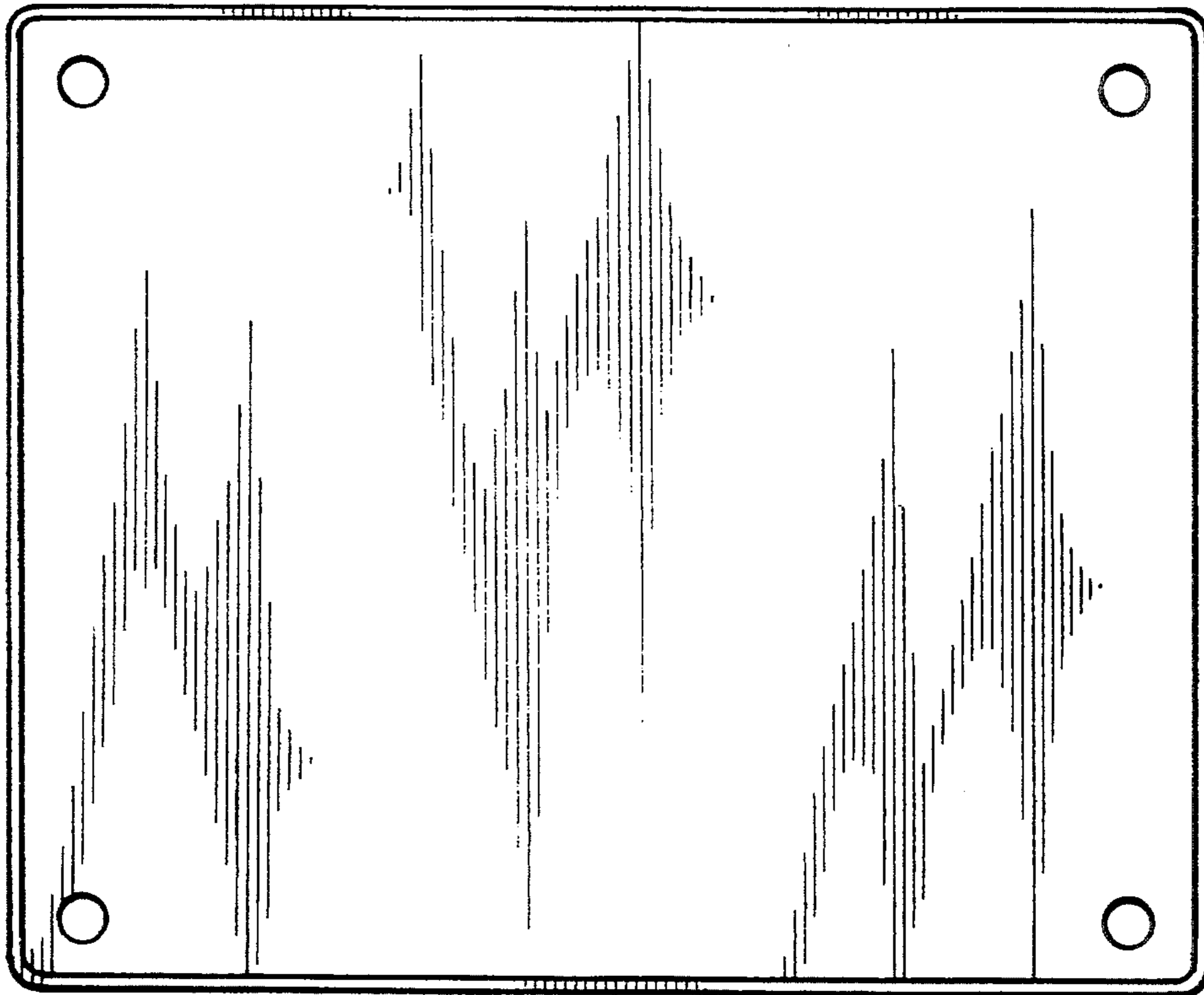


FIG. 7

