



US00D357670S

United States Patent [19]

[11] Patent Number: Des. 357,670

Dodson

[45] Date of Patent: ** Apr. 25, 1995

[54] HEAT SINK

[57] CLAIM

[76] Inventor: Douglas A. Dodson, 5995 Avenida Encinas, Carlsbad, Calif. 92008

The ornamental design for a heat sink, as shown and described.

[**] Term: 14 Years

DESCRIPTION

[21] Appl. No.: 11,495

FIG. 1 is a perspective view of the top of a heat sink showing my new design;

[22] Filed: Aug. 6, 1993

FIG. 2 is a perspective view of the bottom of the heat sink of FIG. 1;

[52] U.S. Cl. D13/179

FIG. 3 is a top plan view thereof;

[58] Field of Search D13/179; 174/16.3; 361/704, 709, 110; 257/718, 719, 722; 165/80.3, 185

FIG. 4 is a bottom plan view thereof;

FIG. 5 is a front elevational view thereof, the rear view being a mirror image;

[56] References Cited

U.S. PATENT DOCUMENTS

3,180,404	4/1965	Nelson et al.	165/80.3 X
5,287,249	2/1994	Chen	165/185 X
5,309,983	5/1994	Bailey	257/722 X
5,323,845	6/1994	Kin-Shon	174/16.3 X

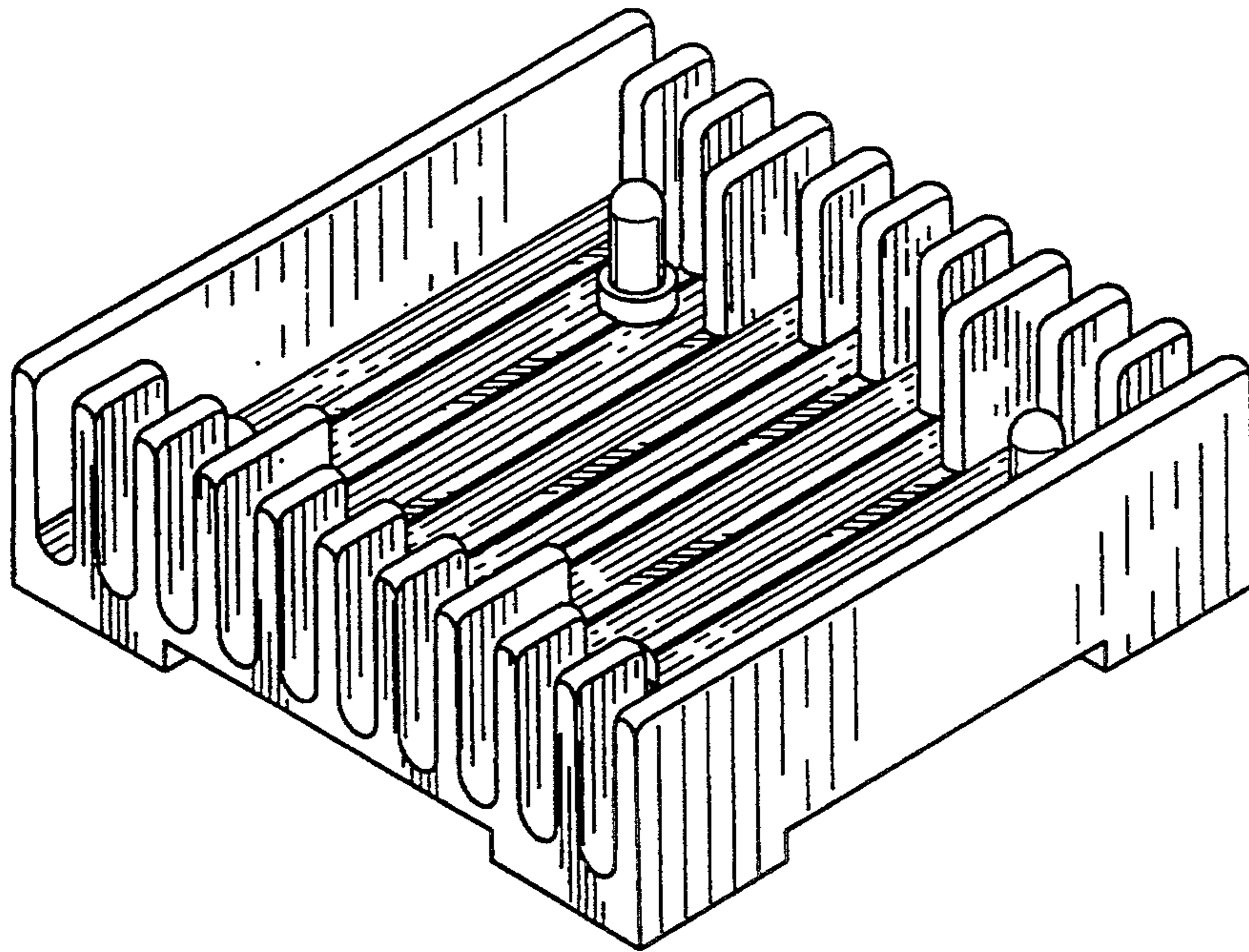
FIG. 6 is a right side elevational view thereof, the opposite side being a mirror image;

FIG. 7 is a cross-sectional view thereof taken along line 7-7 of FIG. 3;

FIG. 8 is an enlarged top fragment view of the pin and pin base taken of the circled area of FIG. 3; and,

FIG. 9 is an enlarged elevational fragment view of the pin and pin base taken of the circled area of FIG. 7, the rear and side elevational views being the same.

Primary Examiner—Joel Sincavage
Attorney, Agent, or Firm—Calif Tervo



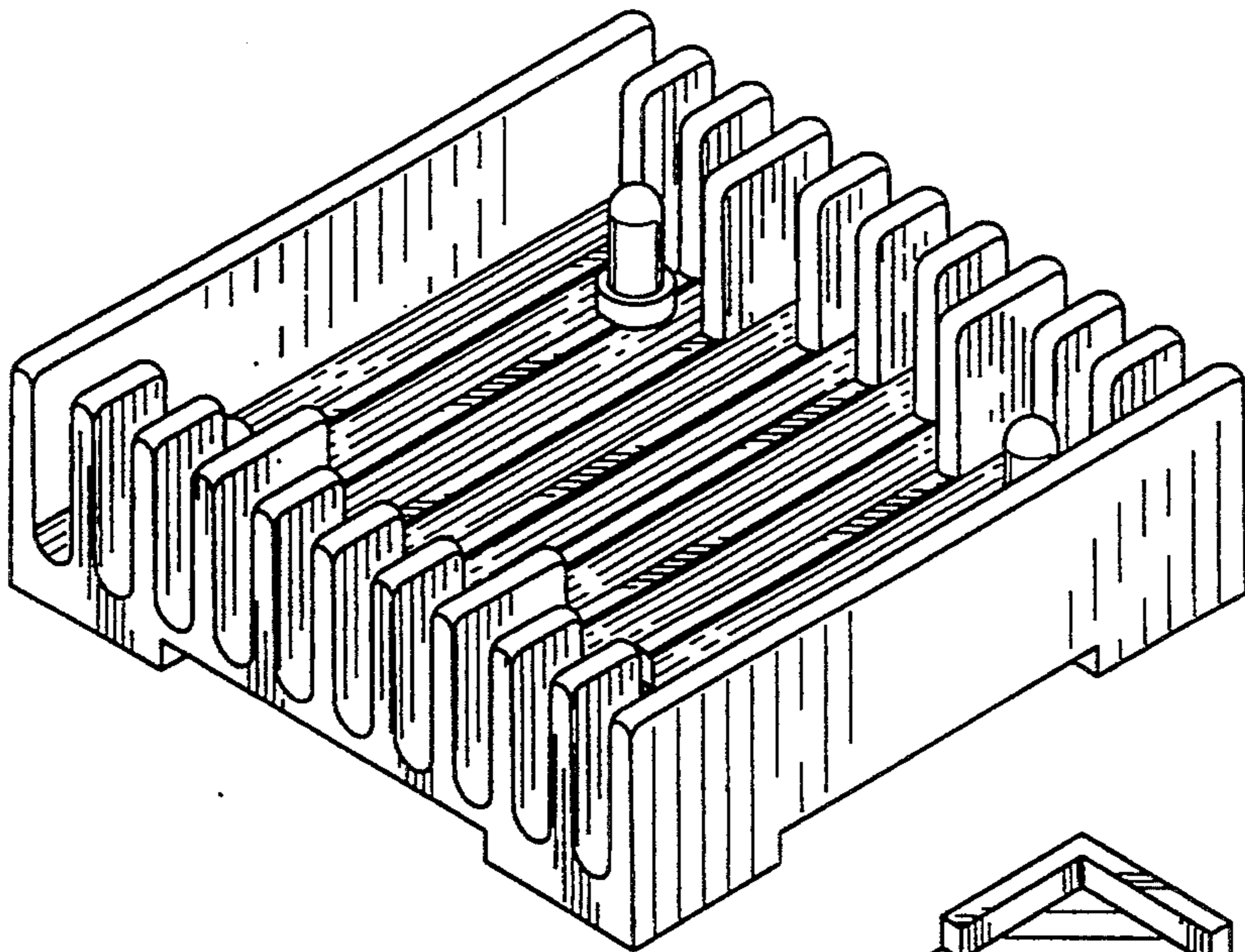


FIG. 1

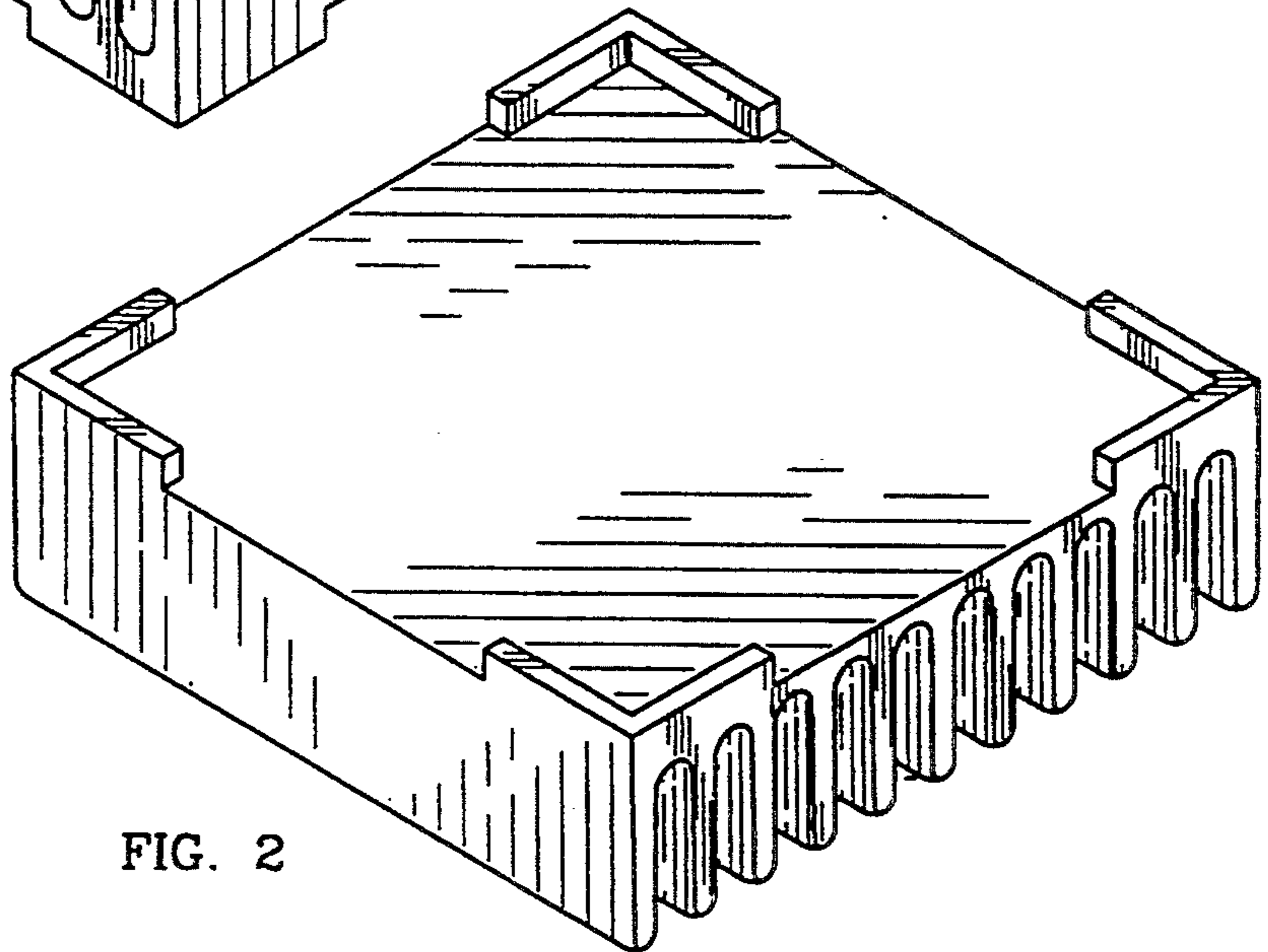


FIG. 2

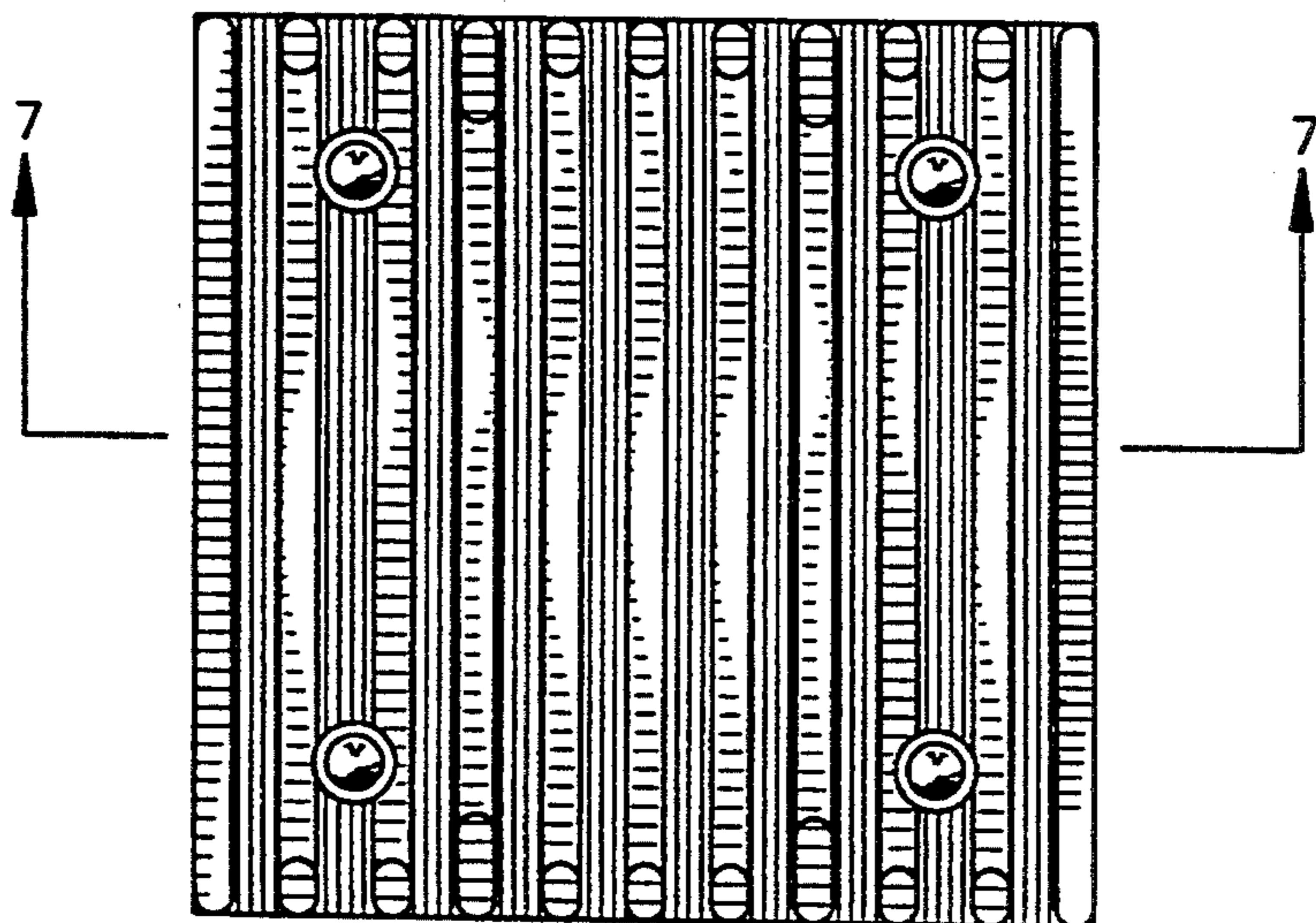


FIG. 3

FIG. 4

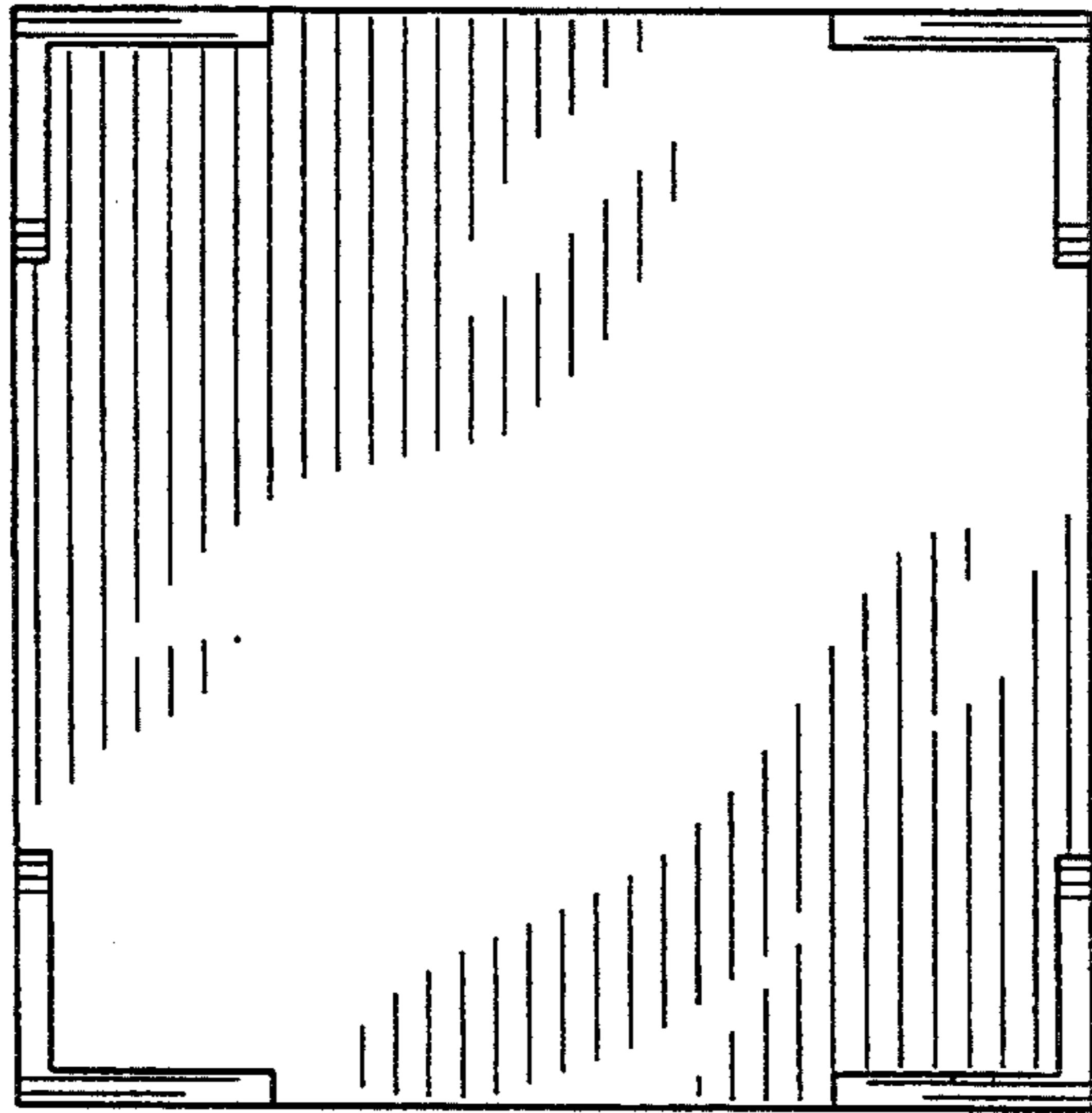


FIG. 5

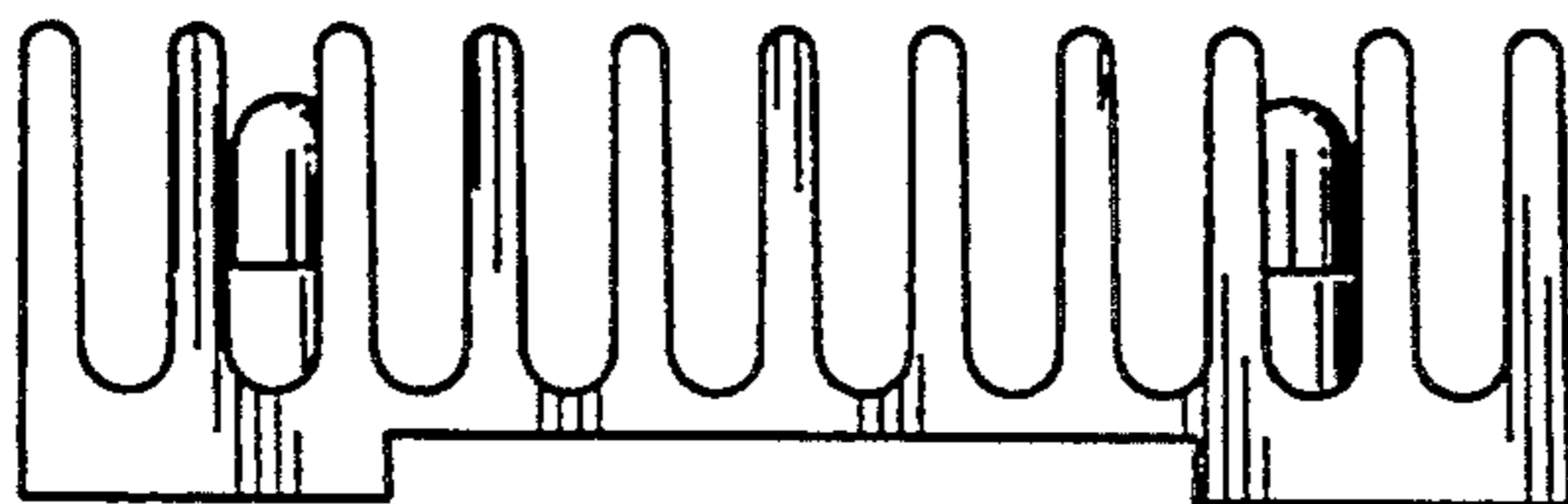


FIG. 6

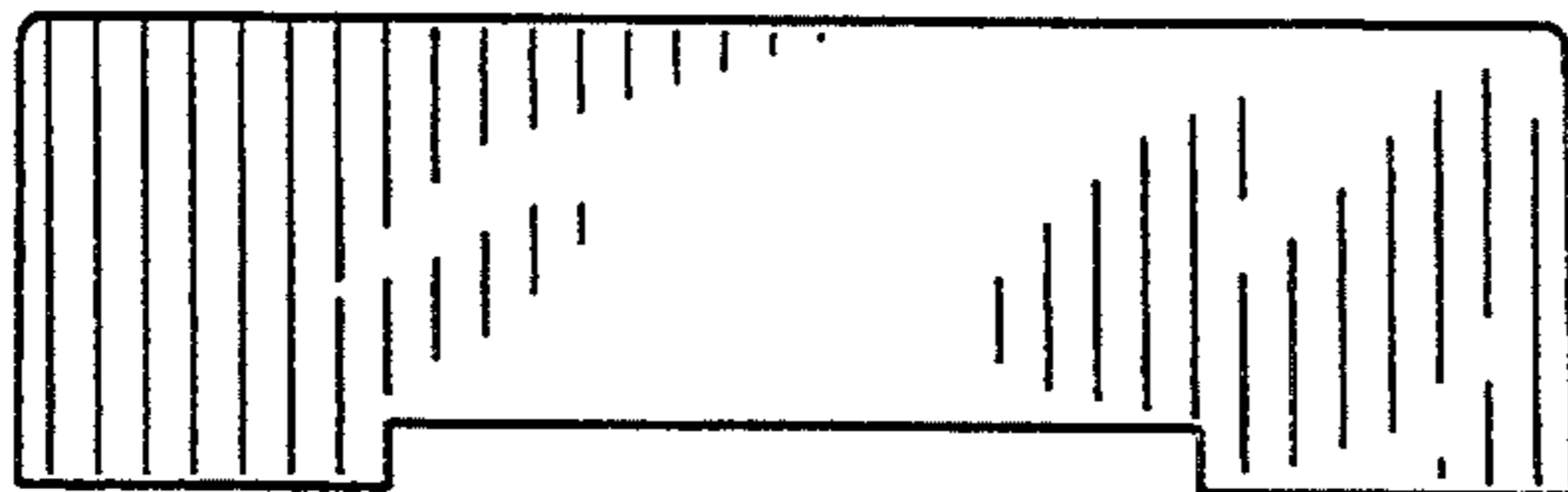


FIG. 7

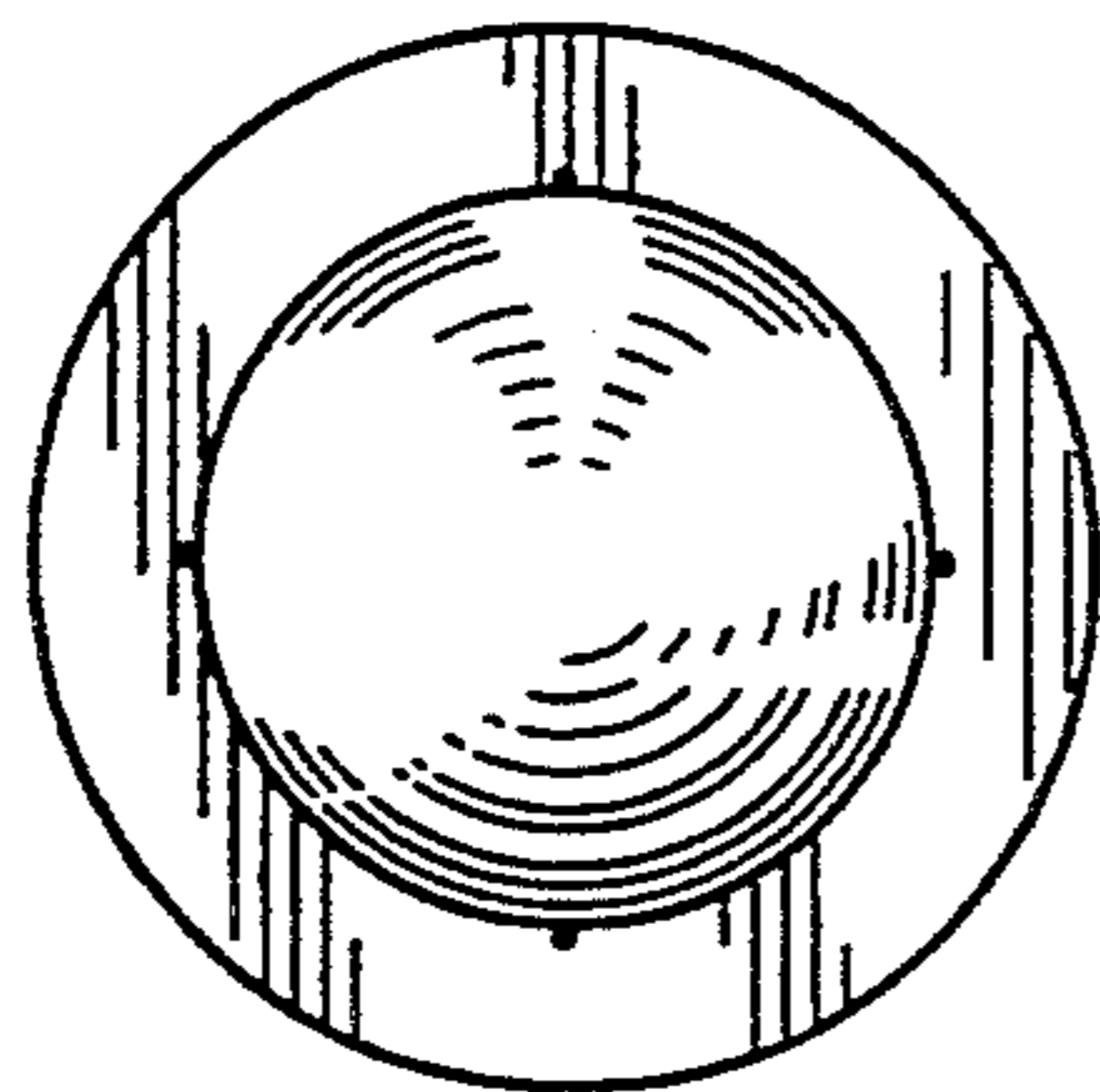
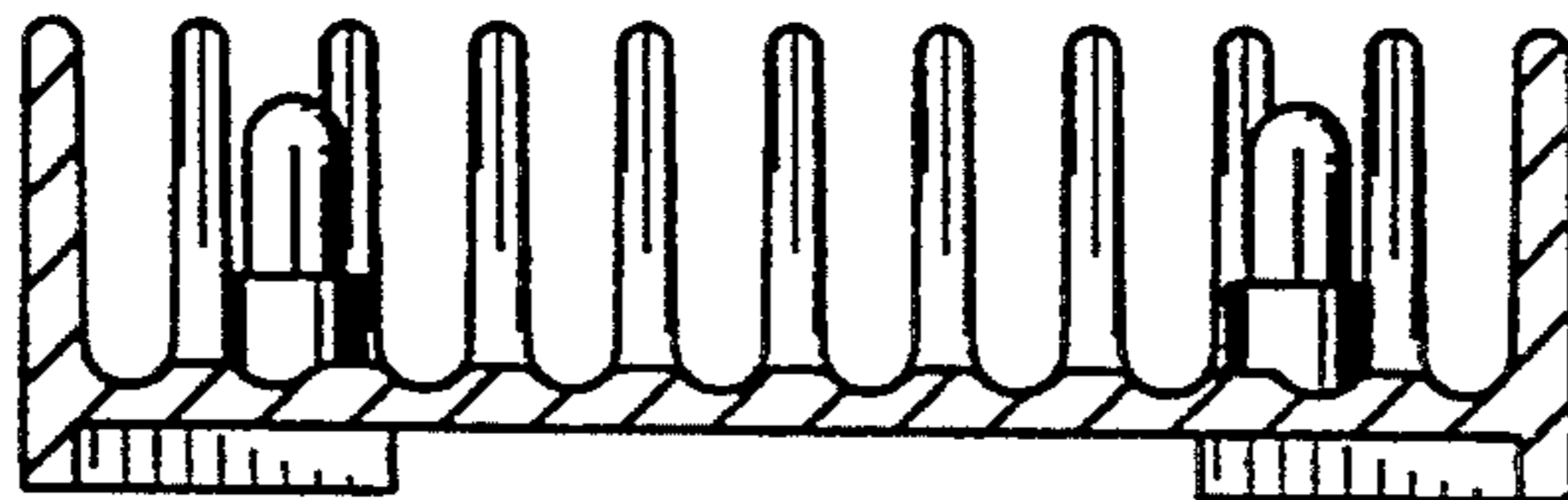


FIG. 8

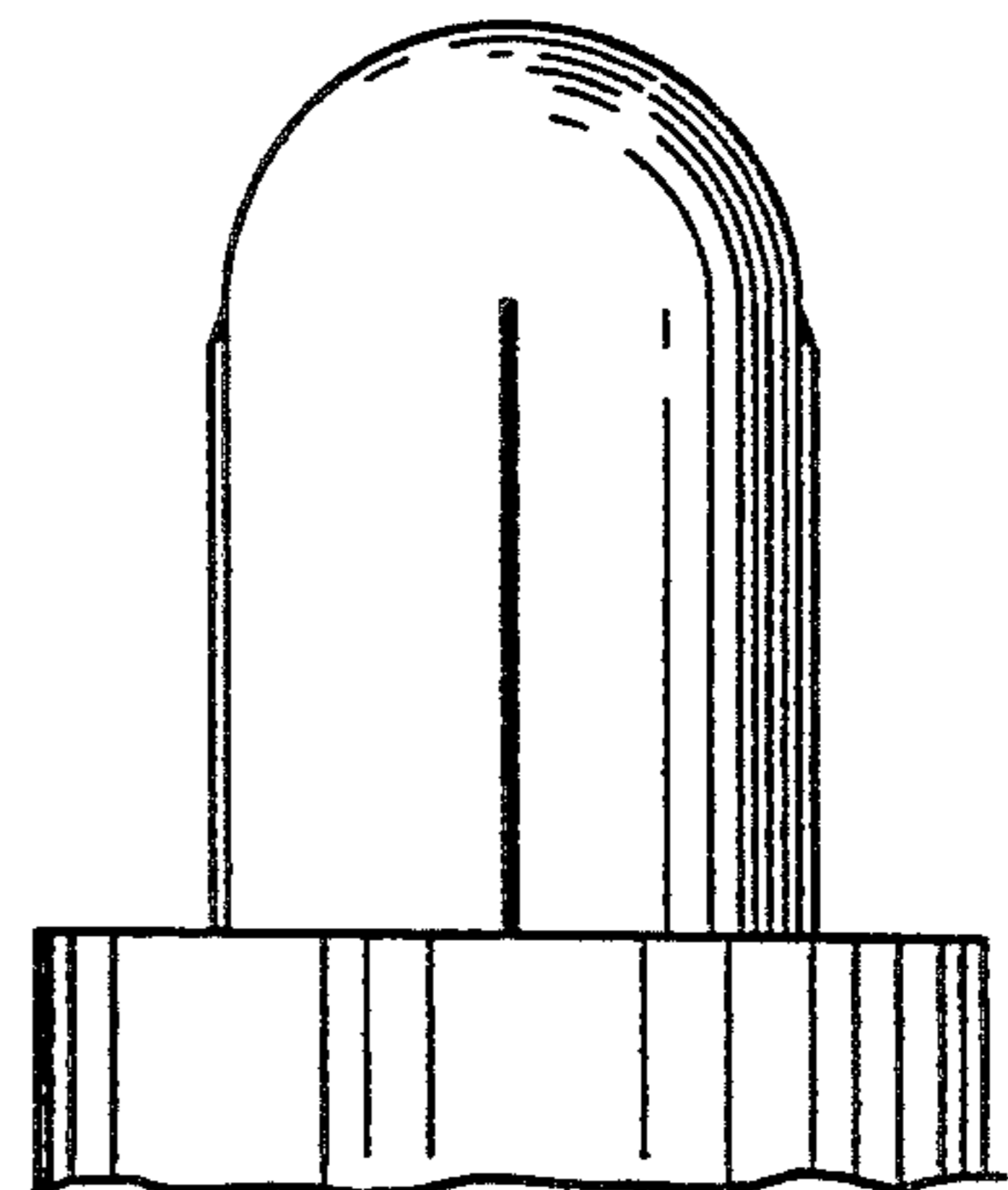


FIG. 9