



US00D357669S

United States Patent [19]

[11] Patent Number: **Des. 357,669**

Stack et al.

[45] Date of Patent: **** Apr. 25, 1995**

[54] **SHIELDED RESET LEVER FOR A FIREWALL-MOUNT HIGH AMP CIRCUIT BREAKER**

5,004,994 4/1991 Korczynski et al. 337/66
5,021,761 6/1991 Stack et al. 337/68

[75] Inventors: **Thomas J. Stack, Chicago; Jacek M. Korczynski, Niles, both of Ill.**

Primary Examiner—Joel Sincavage
Attorney, Agent, or Firm—Laff, Whitesel, Conte & Saret, Ltd.

[73] Assignee: **Cooper Industries, Inc., Houston, Tex.**

[57] **CLAIM**

[**] Term: **14 Years**

The ornamental design for a shielded reset lever for a firewall-mount high amp circuit breaker, as shown and described.

[21] Appl. No.: **5,130**

DESCRIPTION

[22] Filed: **Feb. 24, 1993**

[52] U.S. Cl. **D13/178; D13/160; D13/169**

[58] Field of Search **D13/160, 169, 171; 337/66, 68, 91, 105; 200/43.01, 43.16**

FIG. 1 is a top, front and right side perspective view of a shielded reset lever for a firewall-mount high amp circuit breaker showing our new design with the lever in the tripped position;

FIG. 2 is a top plan view thereof;

FIG. 3 is a right side elevational view thereof;

FIG. 4 is a left side elevational view thereof;

FIG. 5 is a front elevational view thereof; and,

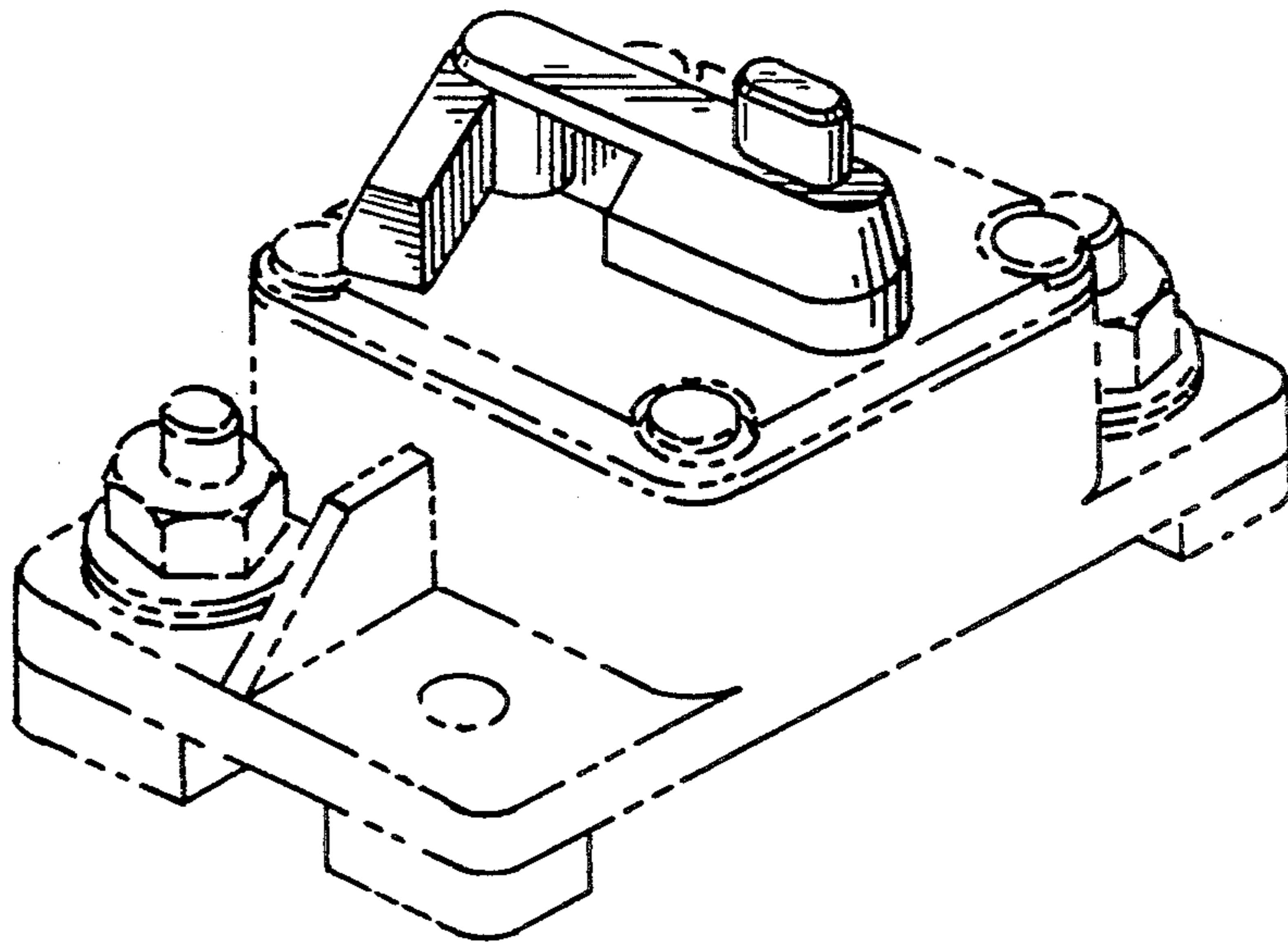
FIG. 6 is a rear elevational view thereof.

The broken line showing of the circuit breaker is included for the purpose of illustrating environmental structure only and forms no part of the claimed design.

[56] **References Cited**

U.S. PATENT DOCUMENTS

- D. 314,177 1/1991 Heiligenstein et al. D13/171 X
- D. 321,399 11/1991 Stack et al. D13/160
- D. 344,929 3/1994 Fesmire D13/160
- 4,751,401 6/1988 Beigel et al. 307/115 X



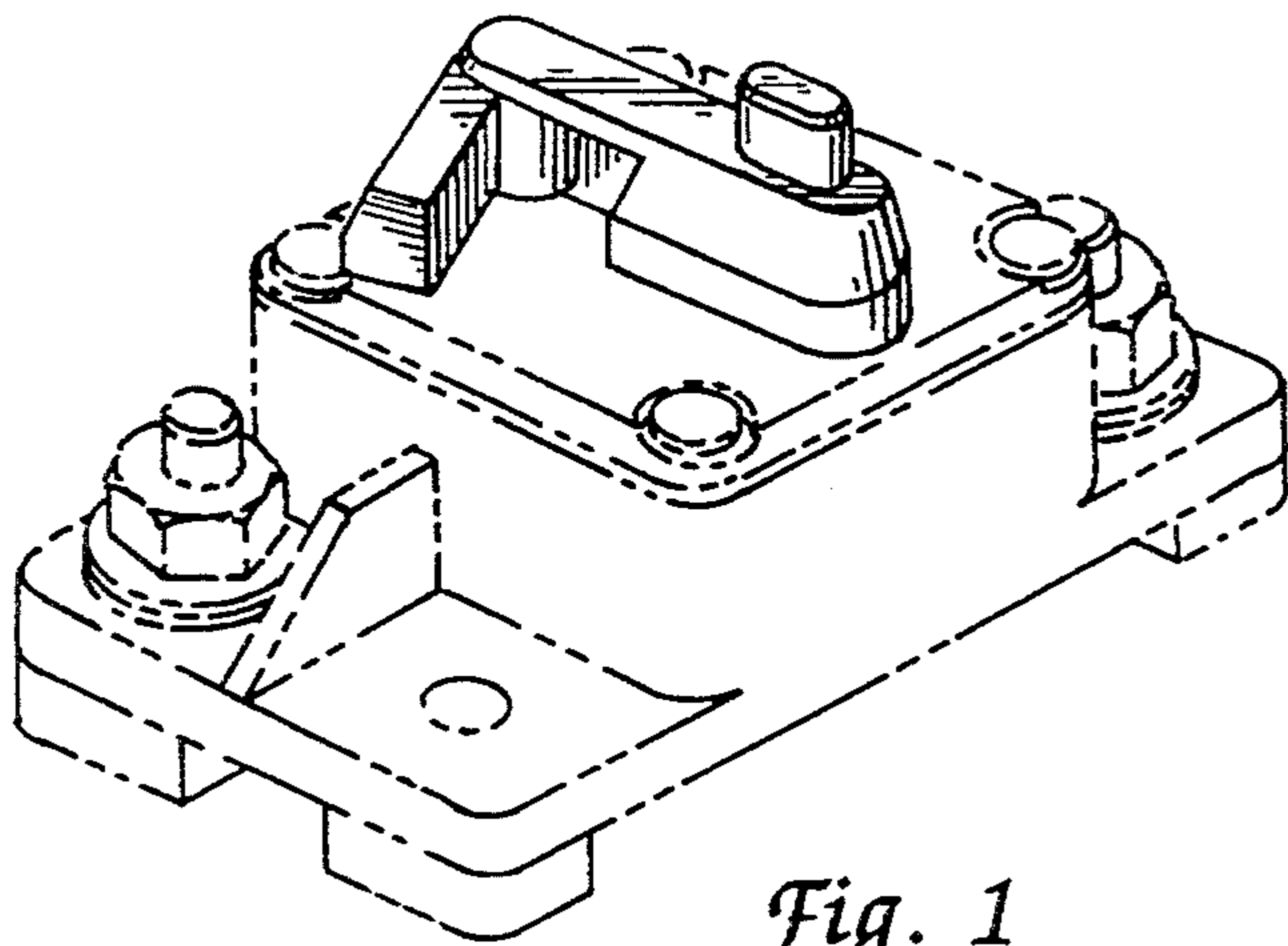


Fig. 1

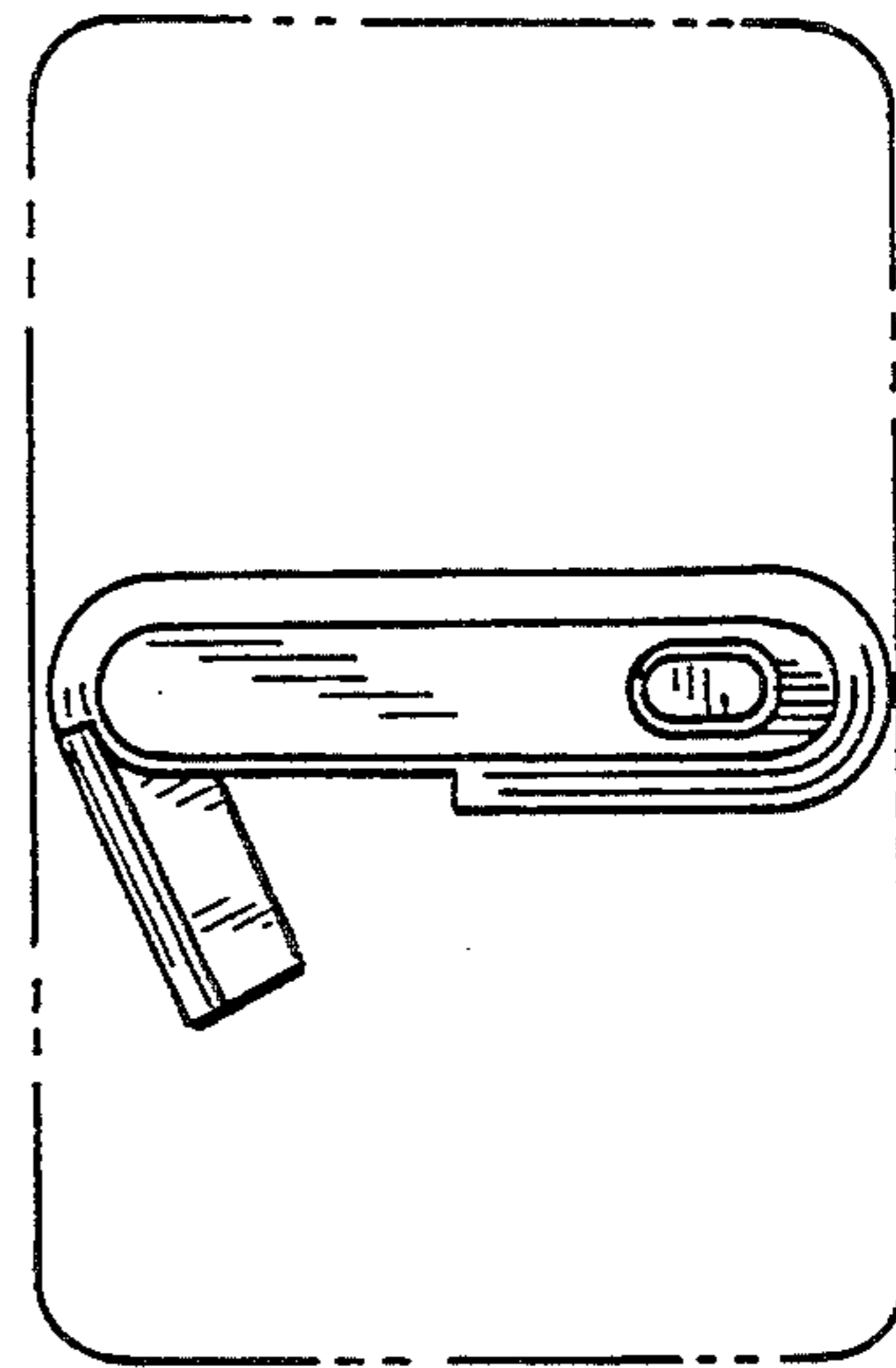


Fig. 2

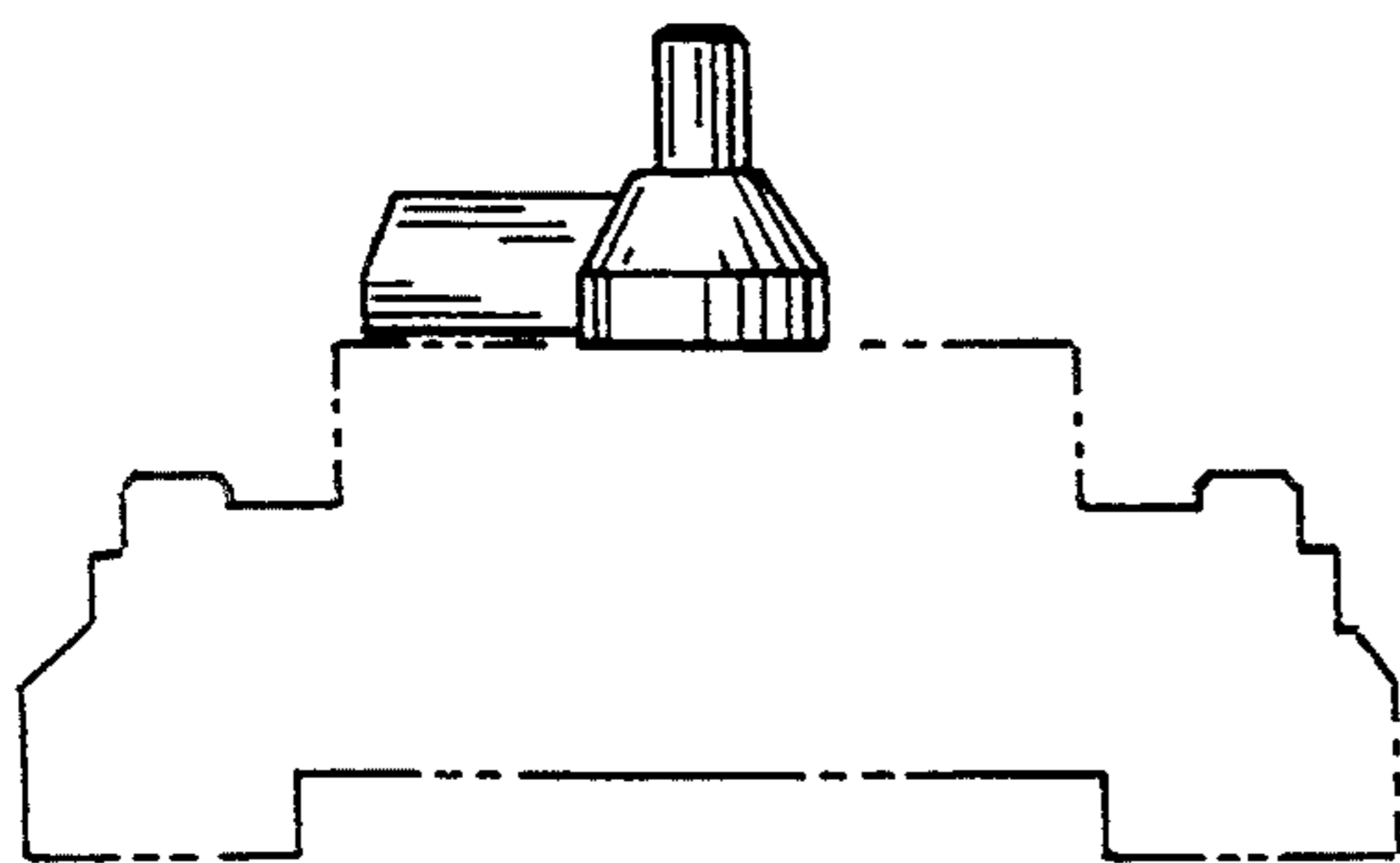


Fig. 3

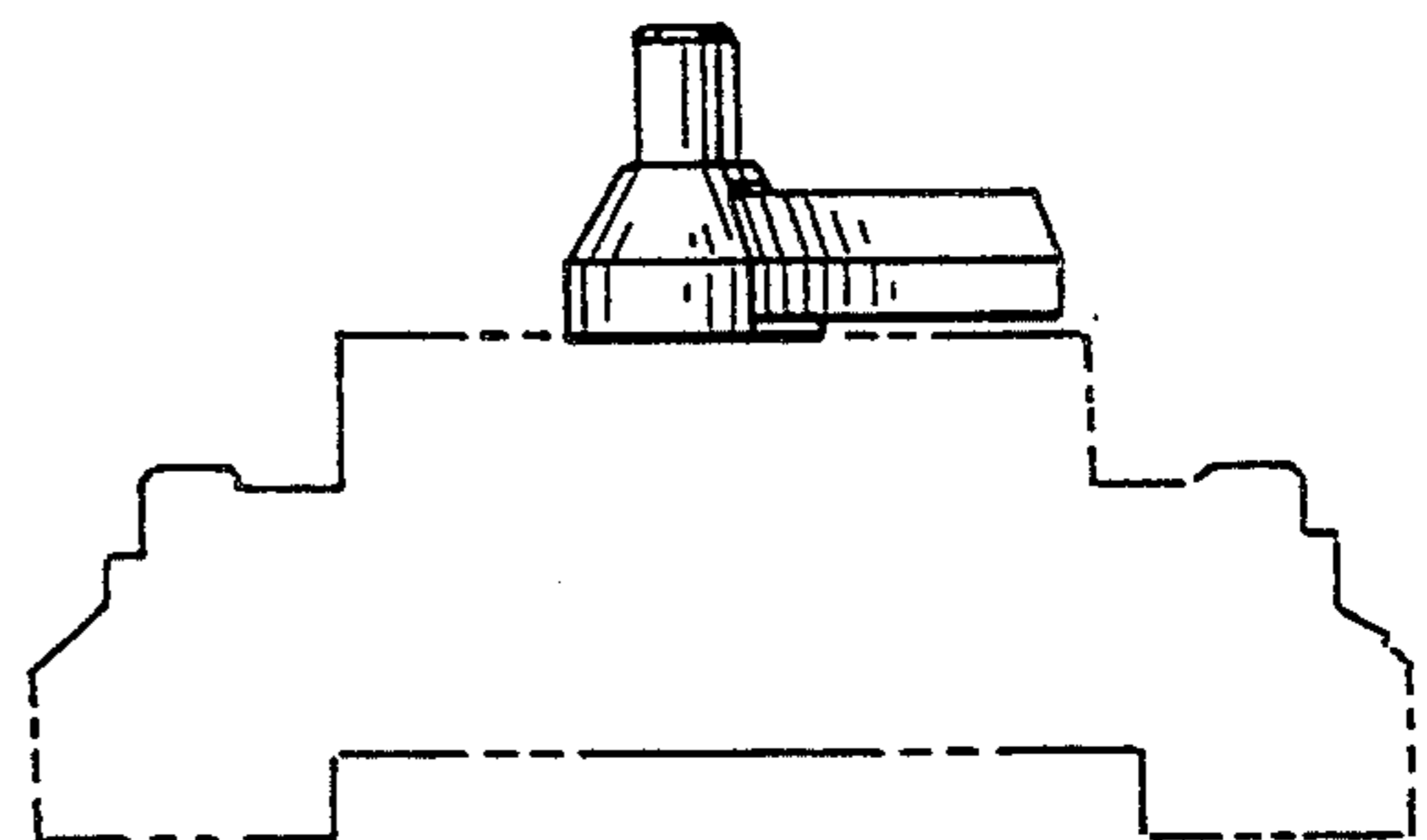


Fig. 4

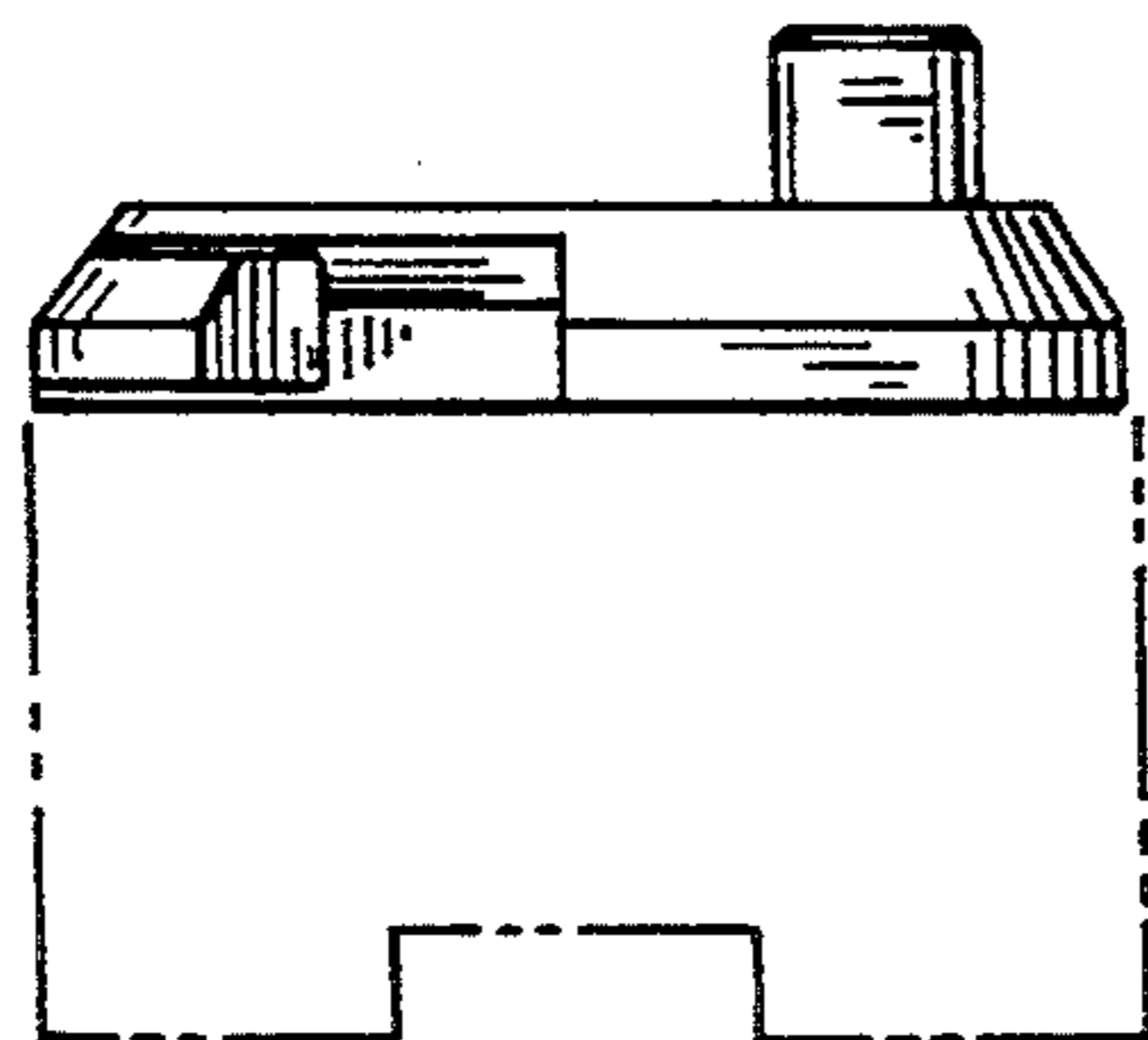


Fig. 5

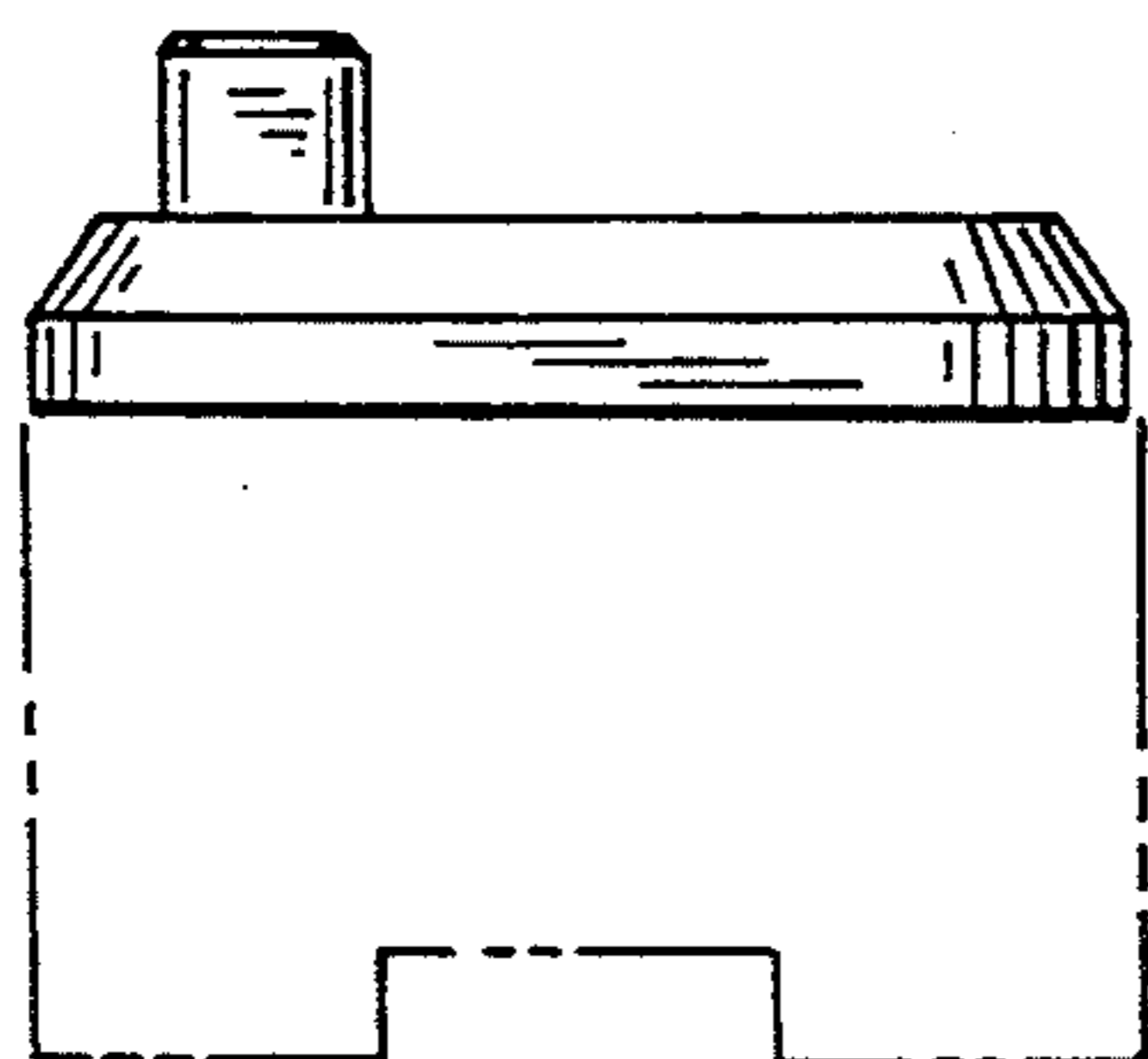


Fig. 6