



US00D357668S

# United States Patent [19]

Lucey et al.

[11] Patent Number: **Des. 357,668**

[45] Date of Patent: **\*\* Apr. 25, 1995**

[54] **PORTION OF A HEADSET CABLE**

[75] Inventors: **Robert E. Lucey, Sudbury, Mass.;**  
**Timothy A. Scarpa, Walpole, N.H.**

[73] Assignee: **Unex Corporation, Chelmsford, Mass.**

[\*\*] Term: **14 Years**

[21] Appl. No.: **7,433**

[22] Filed: **Apr. 22, 1993**

[52] U.S. Cl. .... **D13/153**

[58] Field of Search ..... **D13/153; 174/68.1, 115, 174/116**

[56] **References Cited**

### U.S. PATENT DOCUMENTS

1,921,606 8/1933 Cremer ..... 147/116 X

1,981,612 11/1934 Chase ..... 174/116 X  
3,288,916 11/1966 Koon ..... 174/116  
3,602,636 8/1971 Evans ..... 174/115  
4,549,042 10/1985 Akiba et al. .... 174/115 X

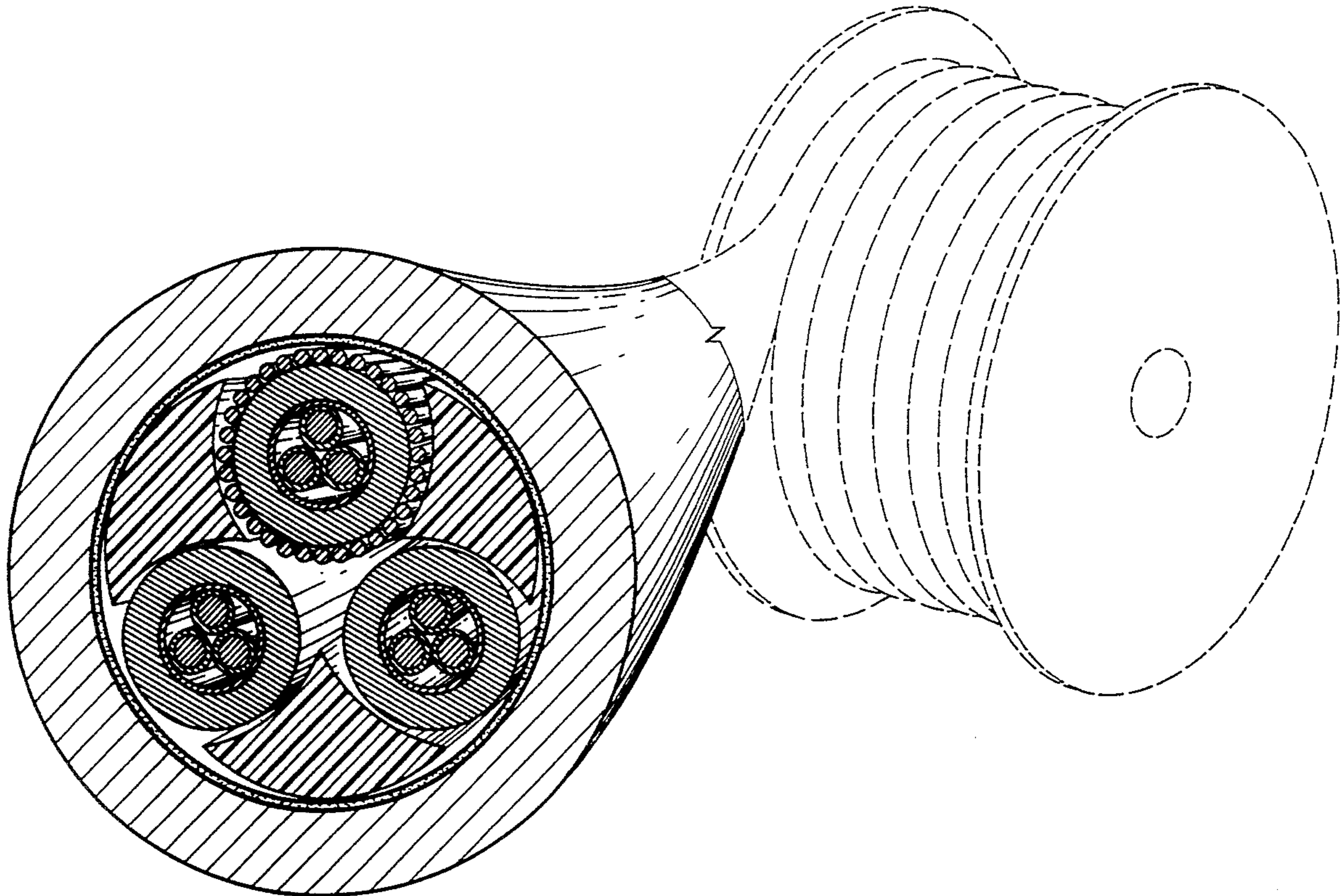
*Primary Examiner*—Joel Sincavage  
*Attorney, Agent, or Firm*—Weingarten, Schurgin,  
Gagnebin & Hayes

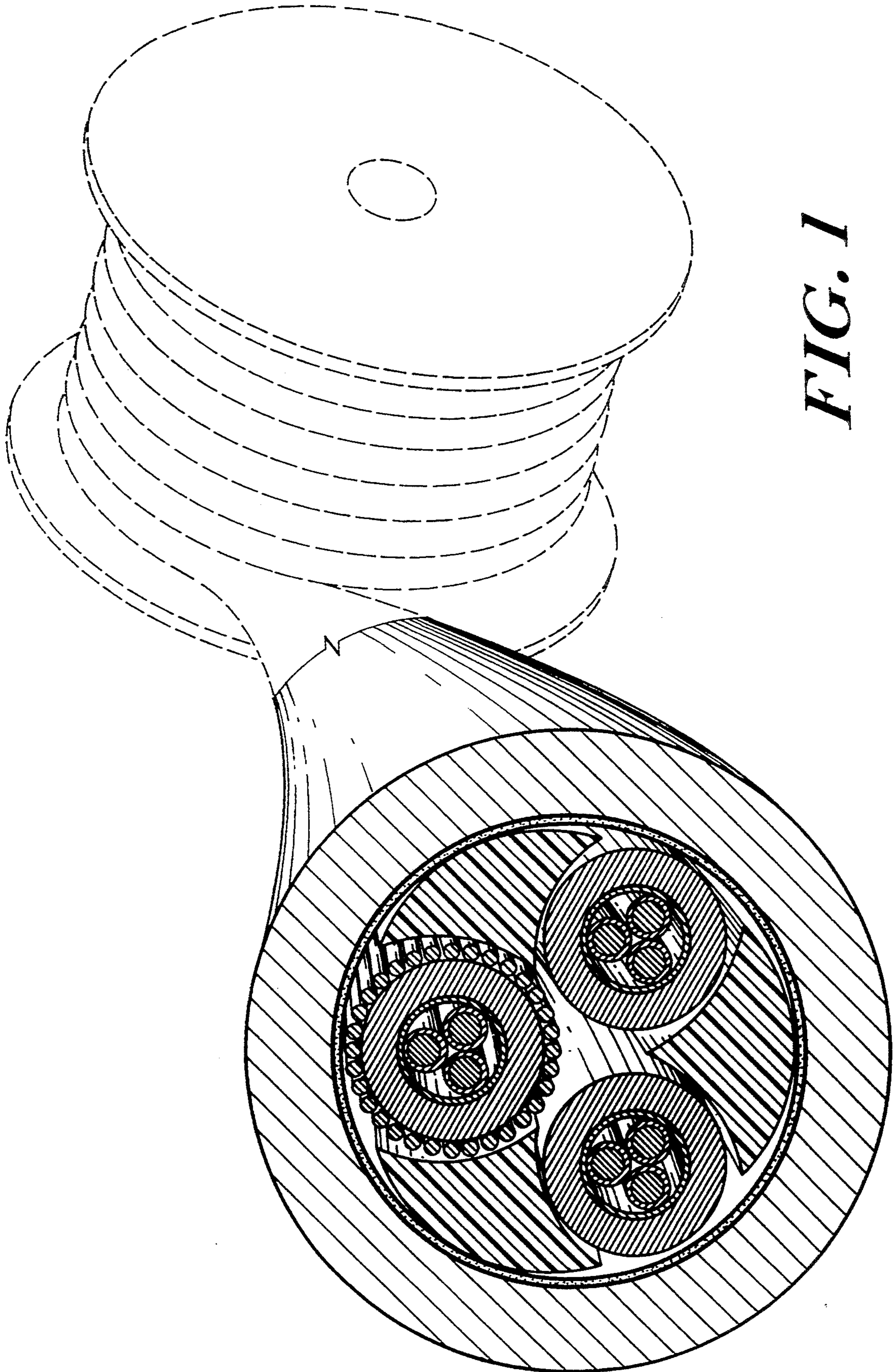
### [57] CLAIM

The ornamental design for a portion of a headset cable, as shown and described.

### DESCRIPTION

FIG. 1 is a cross-sectional view of a headset cable taken perpendicular to the cable as it would be seen anywhere along the length of the cable. The broken line showing of the cable and spool is included for the purpose of illustrating environmental structure only and forms no part of the claimed design.





*FIG. 1*