



US00D357664S

# United States Patent [19]

[11] Patent Number: **Des. 357,664**

**Lupo**

[45] Date of Patent: **\*\* Apr. 25, 1995**

[54] **VEHICLE EXTERNAL REARVIEW MIRROR.**

D. 318,668	7/1991	Hervatin	.....	D14/188
4,856,886	8/1989	Polzer et al.	.....	359/876
4,863,255	9/1989	Seitz	.....	359/876

[75] Inventor: **Elio Lupo**, Collegno, Italy

[73] Assignee: **Gilardini S.p.A.**, Turin, Italy

### FOREIGN PATENT DOCUMENTS

[\*\*] Term: **14 Years**

63434 3/1989 Japan ..... 359/873

[21] Appl. No.: **945,347**

*Primary Examiner*—James M. Gandy  
*Attorney, Agent, or Firm*—Kane, Dalsimer, Sullivan,  
Kurucz, Levy, Eisele & Richard

[22] Filed: **Sep. 15, 1992**

### [30] Foreign Application Priority Data

### [57] CLAIM

Jul. 24, 1992 [IT] Italy ..... TO9200166

The ornamental design for a vehicle external review mirror, as shown and described.

[52] U.S. Cl. .... **D12/187**

[58] Field of Search ..... D12/187; D6/314;  
D14/142, 188; 248/480, 481, 485-487;  
359/838, 842, 843, 844, 849, 850, 854, 860,  
862-866, 868, 871-874, 876, 881

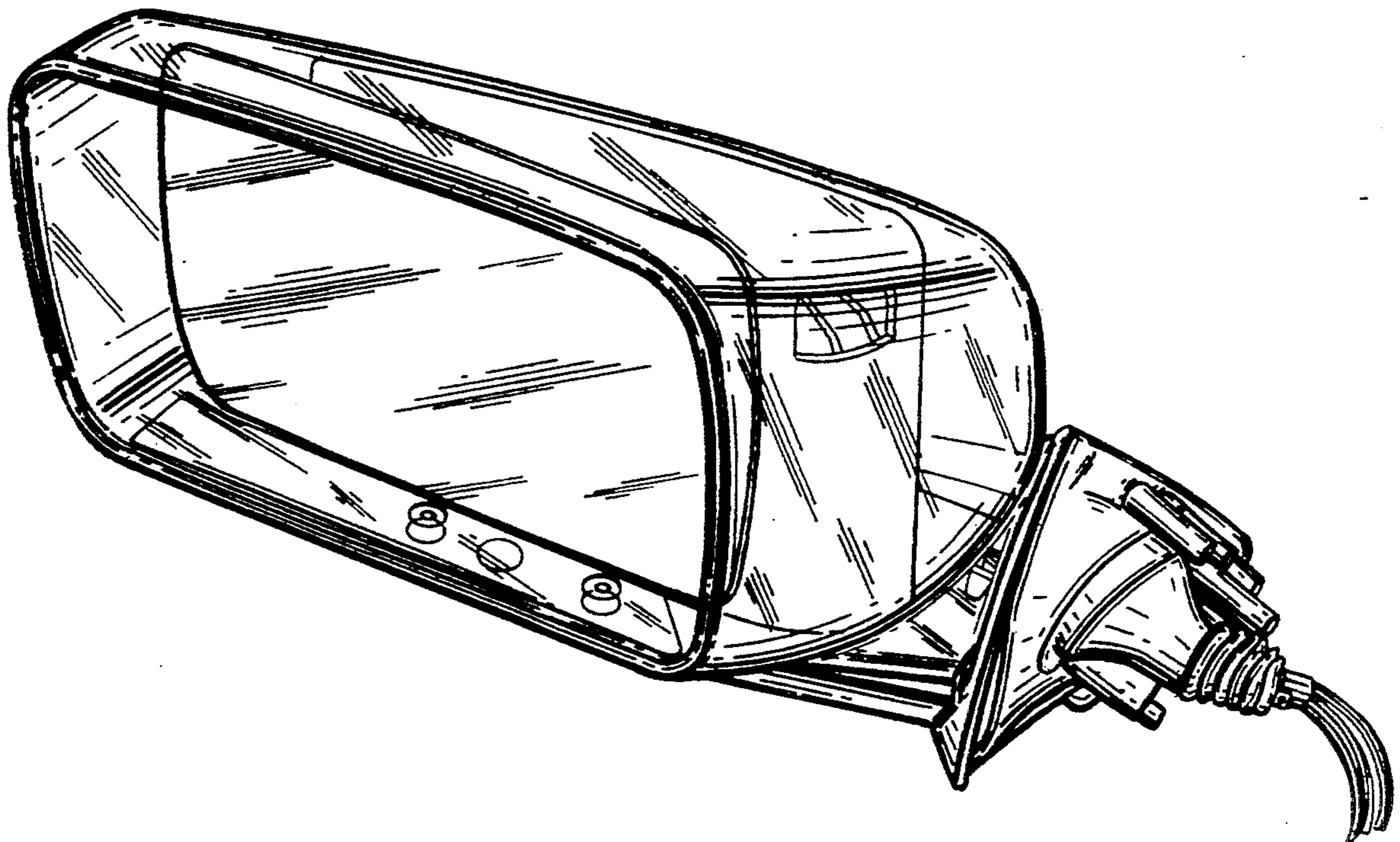
### DESCRIPTION

### [56] References Cited

#### U.S. PATENT DOCUMENTS

D. 166,228	3/1952	Salmon	.....	D6/314
D. 318,663	7/1991	Frisinger	.....	D14/142

FIG. 1 is a top right front perspective view of a vehicle external rearview mirror showing my design; FIG. 2 is a front perspective view thereof; FIG. 3 is a rear perspective view thereof; FIG. 4 is a bottom perspective view thereof; FIG. 5 is a top perspective view thereof; FIG. 6 is a left end perspective view thereof; and, FIG. 7 is a right end perspective view thereof.



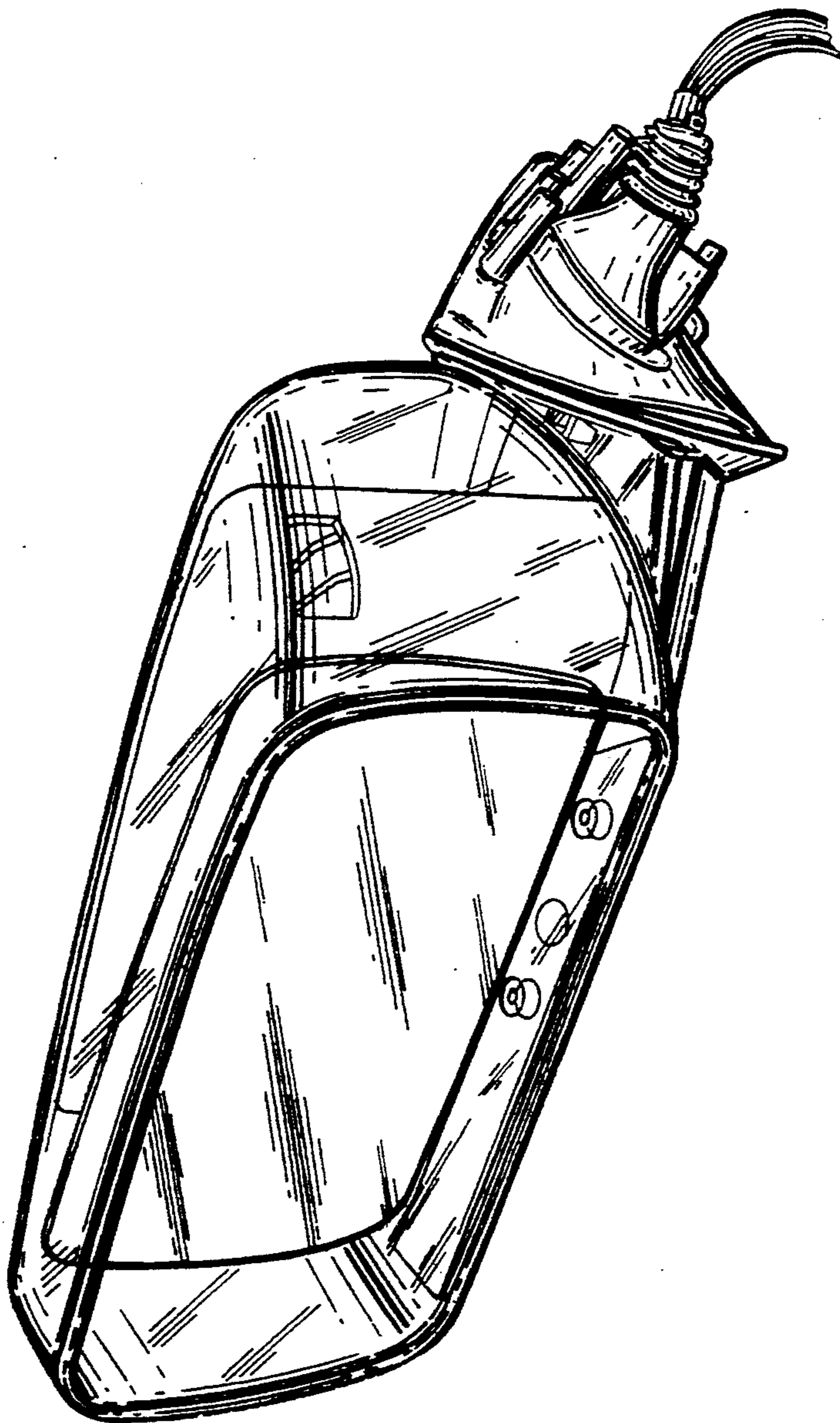


Fig. 1

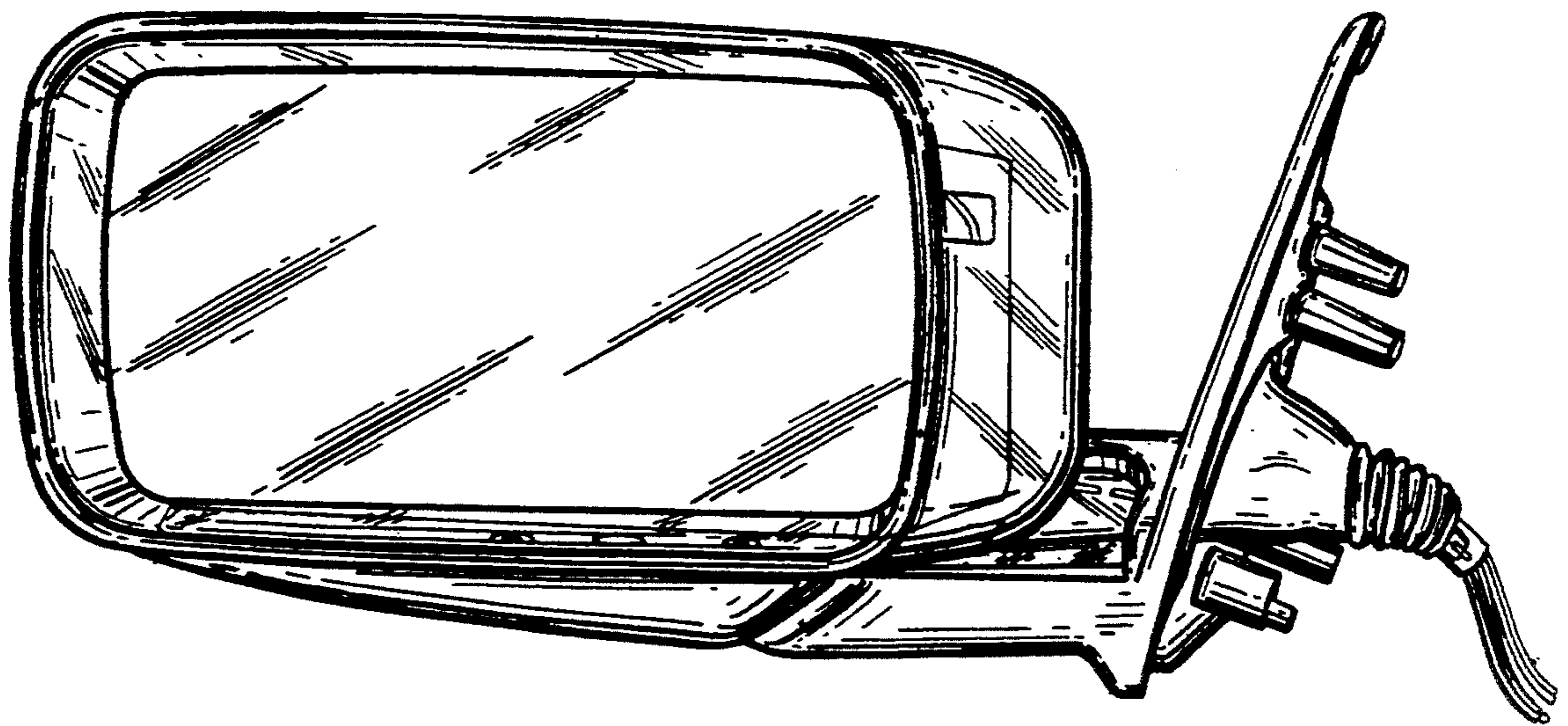


Fig. 2

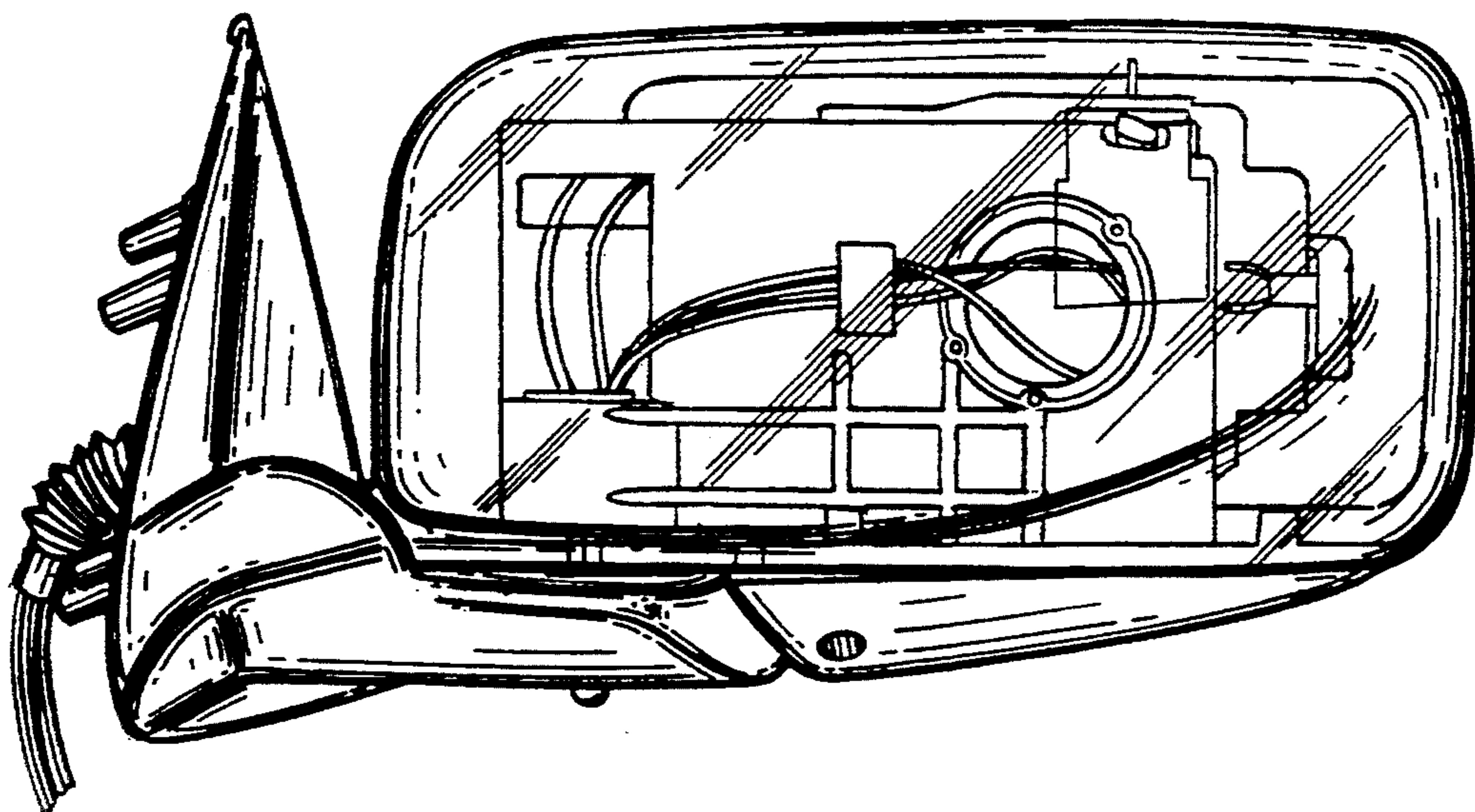


Fig. 3

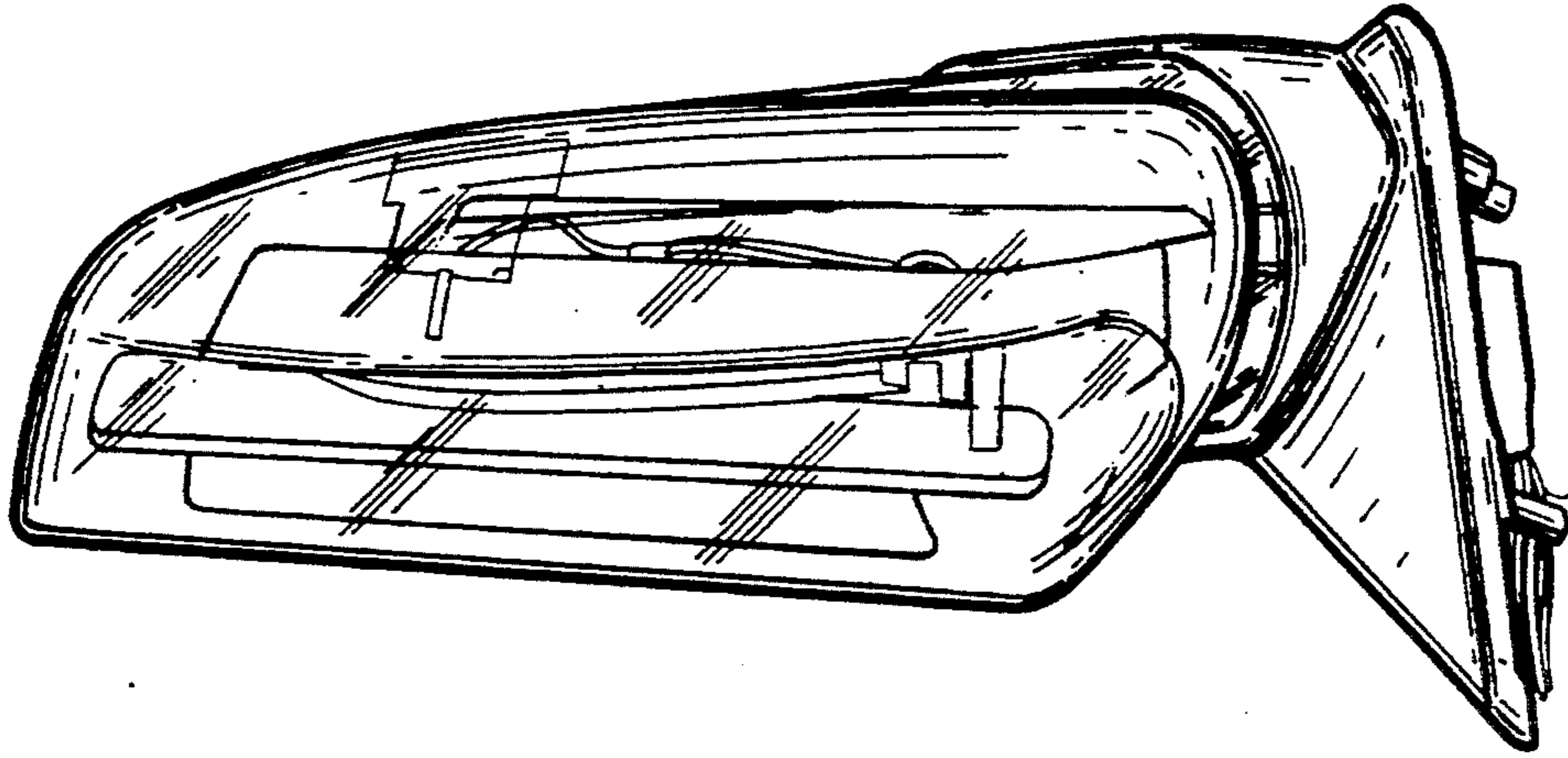


Fig. 5

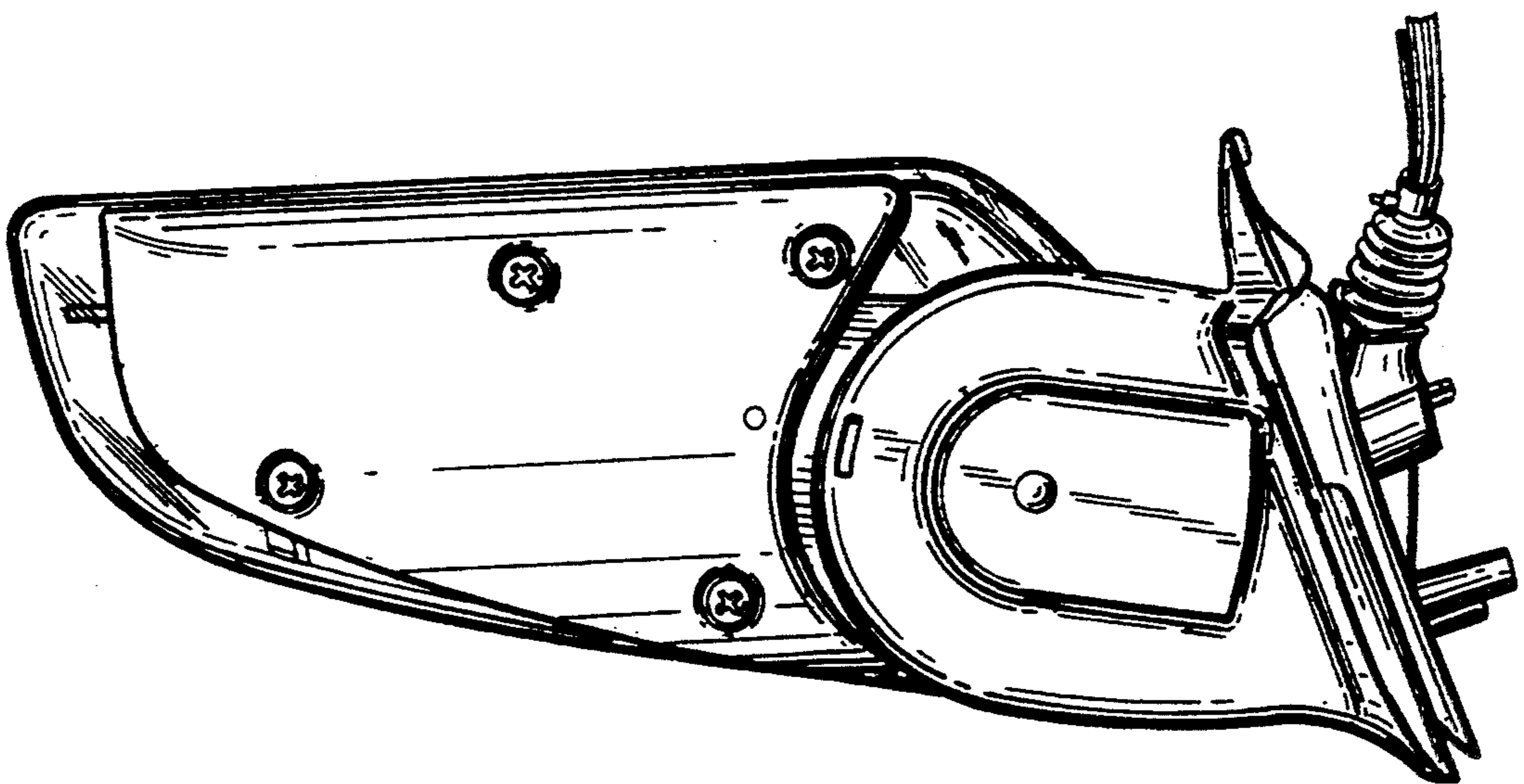


Fig. 4

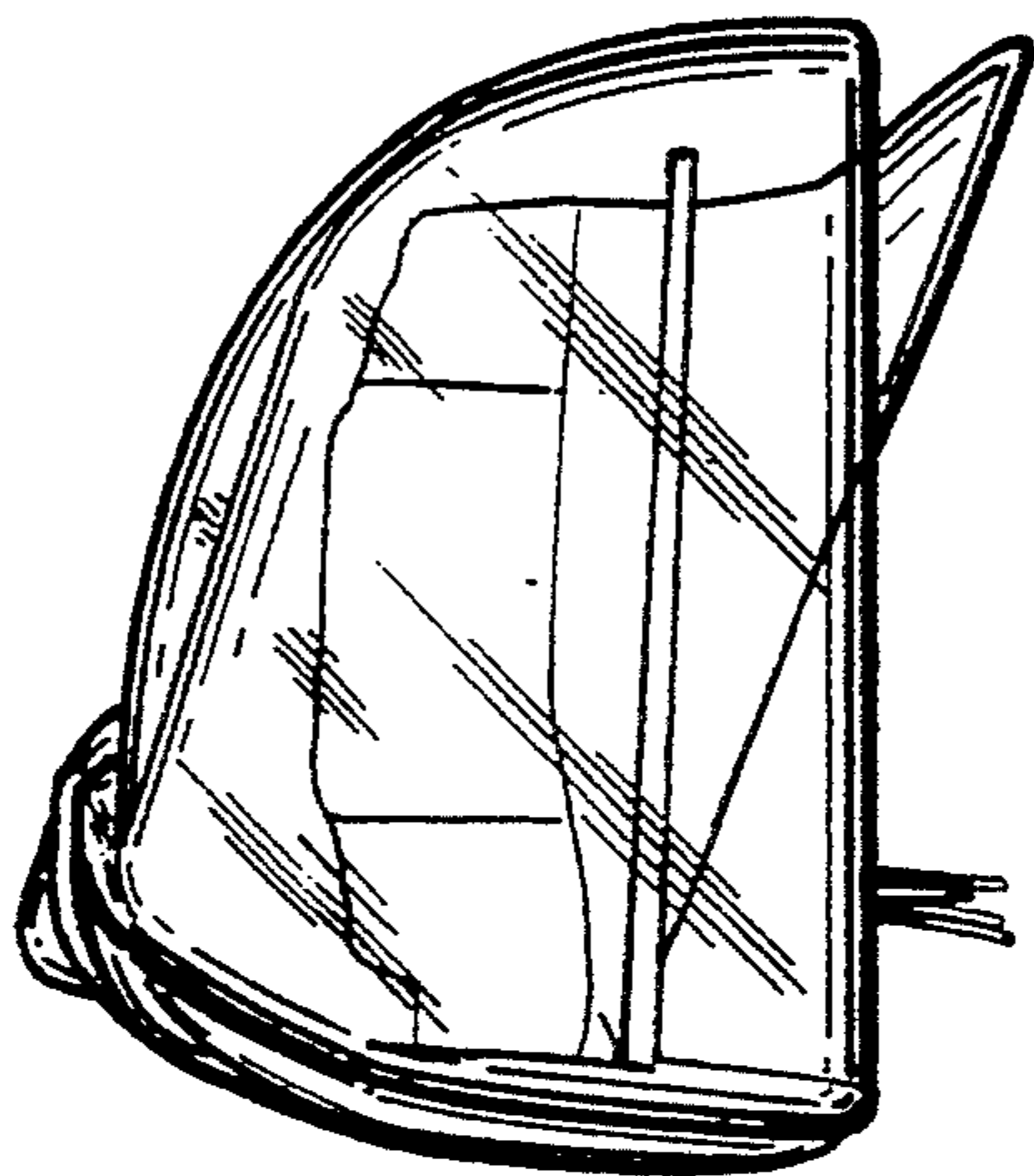


Fig. 6

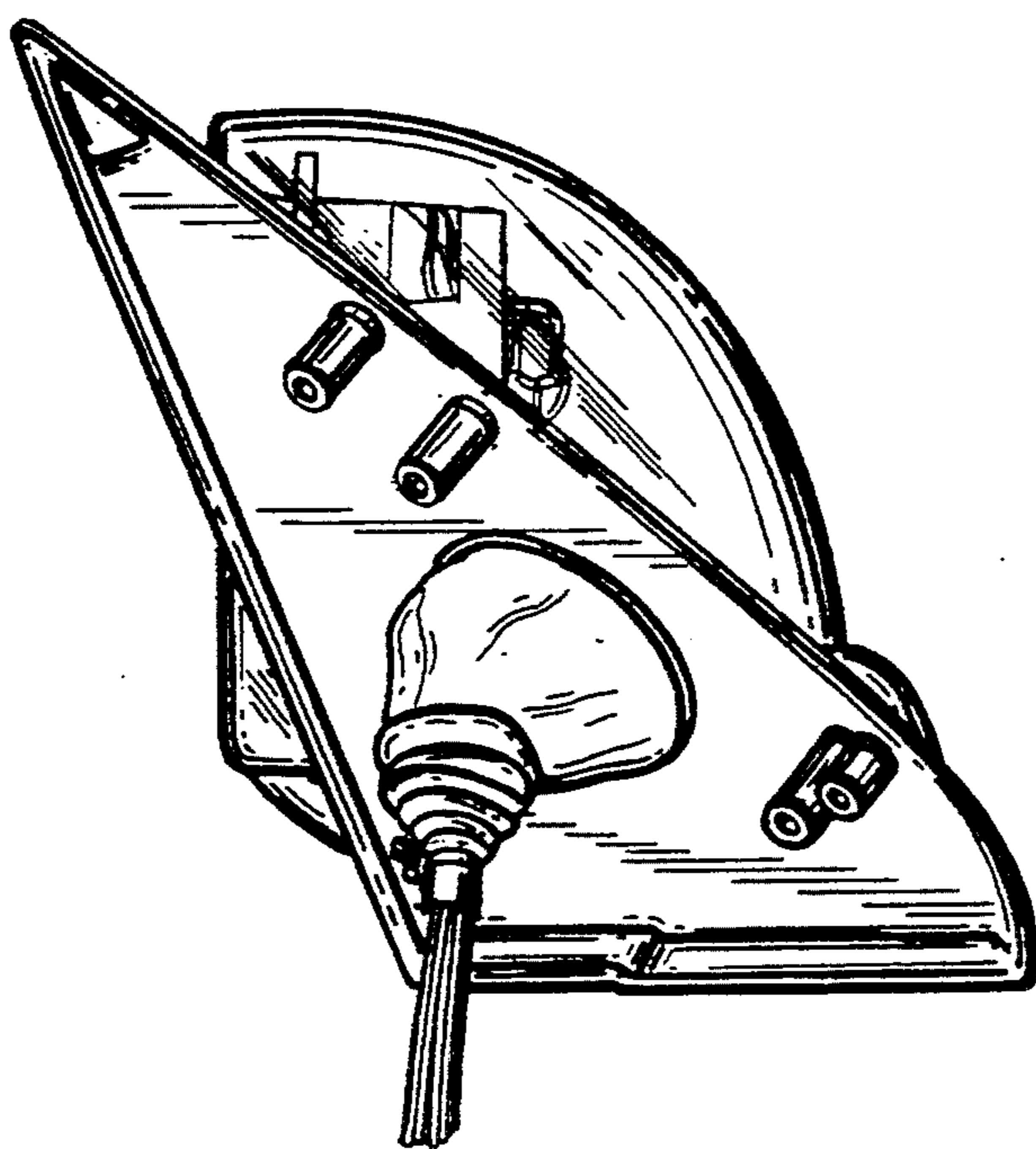


Fig. 7