



US00D357662S

# United States Patent [19]

[11] Patent Number: **Des. 357,662**

Steinke et al.

[45] Date of Patent: **\*\* Apr. 25, 1995**

[54] **DISC BRAKE SHIM**

[75] Inventors: **Gustav J. Steinke; Starla D. Huffer,**  
both of Lima, Ohio

[73] Assignee: **International Brake Industries, Inc.,**  
Lima, Ohio

[\*\*] Term: **14 Years**

[21] Appl. No.: **19,510**

[22] Filed: **Mar. 3, 1994**

[52] U.S. Cl. .... **D12/180**

[58] Field of Search ..... **D12/180; 188/73.1, 250 B**

|            |         |                       |           |
|------------|---------|-----------------------|-----------|
| D. 337,982 | 8/1993  | Steinke et al. ....   | D12/180   |
| D. 338,648 | 8/1993  | Steinke et al. ....   | D12/180   |
| D. 341,120 | 11/1993 | Steinke et al. ....   | D12/180   |
| D. 341,350 | 11/1993 | Steinke et al. ....   | D12/180   |
| D. 341,807 | 11/1993 | Steinke et al. ....   | D12/180   |
| D. 341,808 | 11/1993 | Steinke et al. ....   | D12/180   |
| 4,230,207  | 10/1980 | Stahl .....           | 188/73.1  |
| 4,537,290  | 8/1985  | Evans .....           | 188/250 B |
| 4,995,482  | 2/1991  | Kobayashi et al. .... | 188/73.1  |
| 5,129,487  | 7/1992  | Kobayashi et al. .... | 188/73.1  |
| 5,141,083  | 8/1992  | Buryoon .....         | 188/250 B |

### FOREIGN PATENT DOCUMENTS

858302714 5/1986 European Pat. Off. .... 188/73.1

### [56] References Cited

#### U.S. PATENT DOCUMENTS

|            |         |                     |         |
|------------|---------|---------------------|---------|
| D. 331,119 | 11/1993 | Steinke et al. .... | D12/180 |
| D. 336,741 | 6/1993  | Steinke et al. .... | D12/180 |
| D. 336,882 | 6/1993  | Steinke et al. .... | D12/180 |
| D. 336,883 | 6/1993  | Steinke et al. .... | D12/180 |
| D. 337,088 | 7/1993  | Steinke et al. .... | D12/180 |
| D. 337,089 | 7/1993  | Steinke et al. .... | D12/180 |
| D. 337,293 | 7/1993  | Steinke et al. .... | D12/180 |
| D. 337,294 | 7/1993  | Steinke et al. .... | D12/180 |
| D. 337,295 | 7/1993  | Steinke et al. .... | D12/180 |
| D. 337,296 | 7/1993  | Steinke et al. .... | D12/180 |
| D. 337,557 | 7/1993  | Steinke et al. .... | D12/180 |
| D. 337,558 | 7/1993  | Steinke et al. .... | D12/180 |
| D. 337,559 | 7/1993  | Steinke et al. .... | D12/180 |
| D. 337,560 | 7/1993  | Steinke et al. .... | D12/180 |
| D. 337,750 | 7/1993  | Steinke et al. .... | D12/180 |
| D. 337,981 | 8/1993  | Steinke et al. .... | D12/180 |

*Primary Examiner*—James M. Gandy

*Assistant Examiner*—M. Brown

*Attorney, Agent, or Firm*—Edgar A. Zarins; Malcolm L. Sutherland

### [57] CLAIM

The ornamental design for a disc brake shim, as shown and described.

### DESCRIPTION

FIG. 1 is a perspective view of a disc brake shim showing our new design;

FIG. 2 is a rear elevational view thereof;

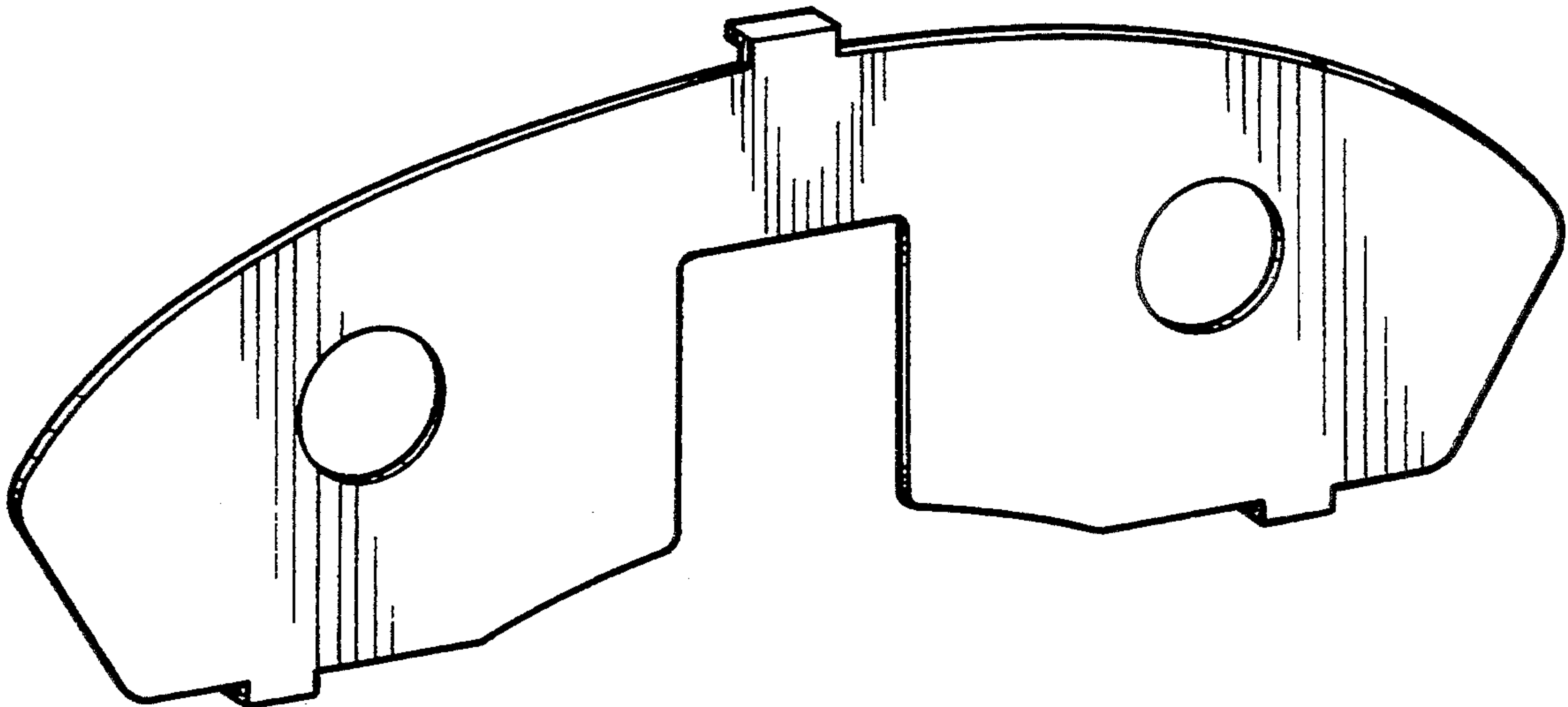
FIG. 3 is a front elevational view thereof;

FIG. 4 is a top plan view thereof;

FIG. 5 is a bottom plan view thereof;

FIG. 6 is a left side view thereof; and,

FIG. 7 is a right side view thereof.



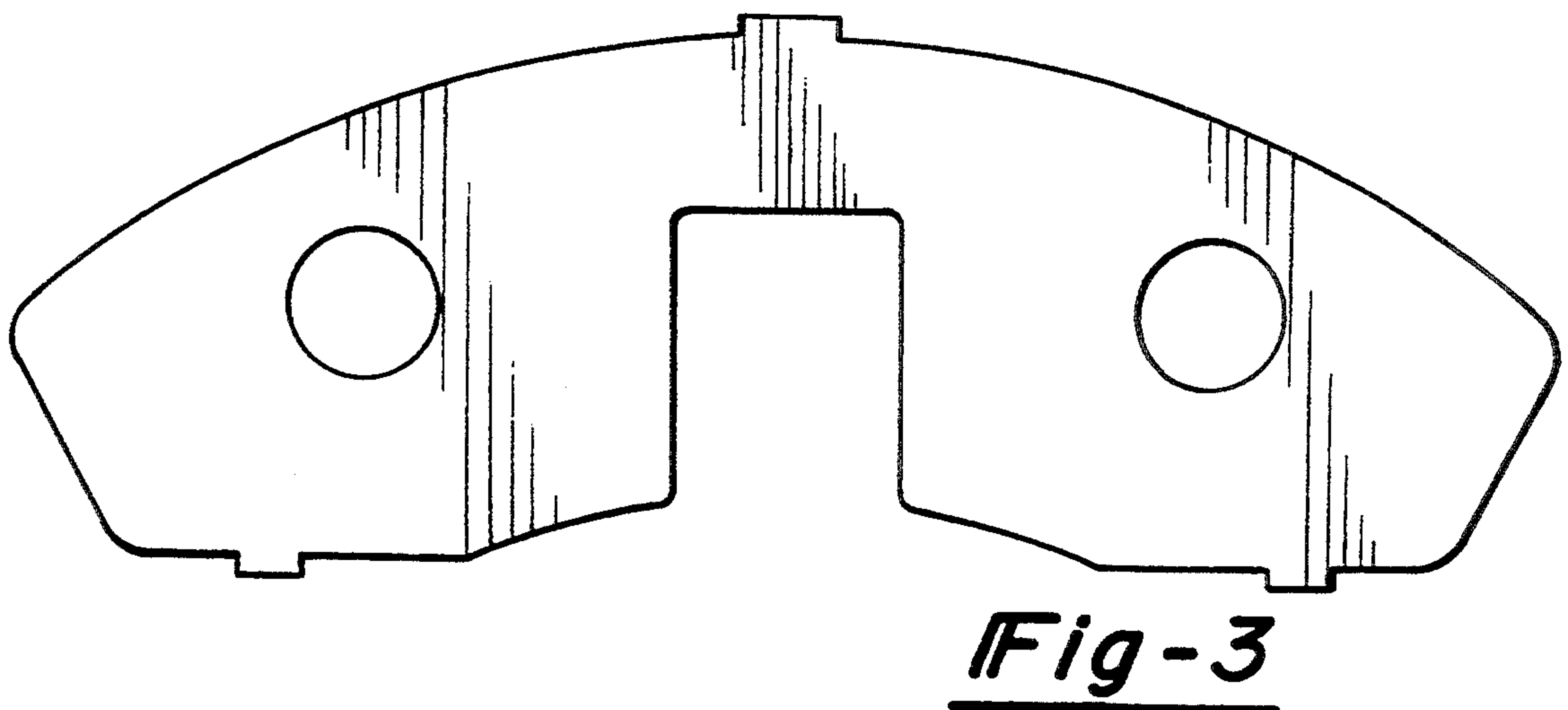
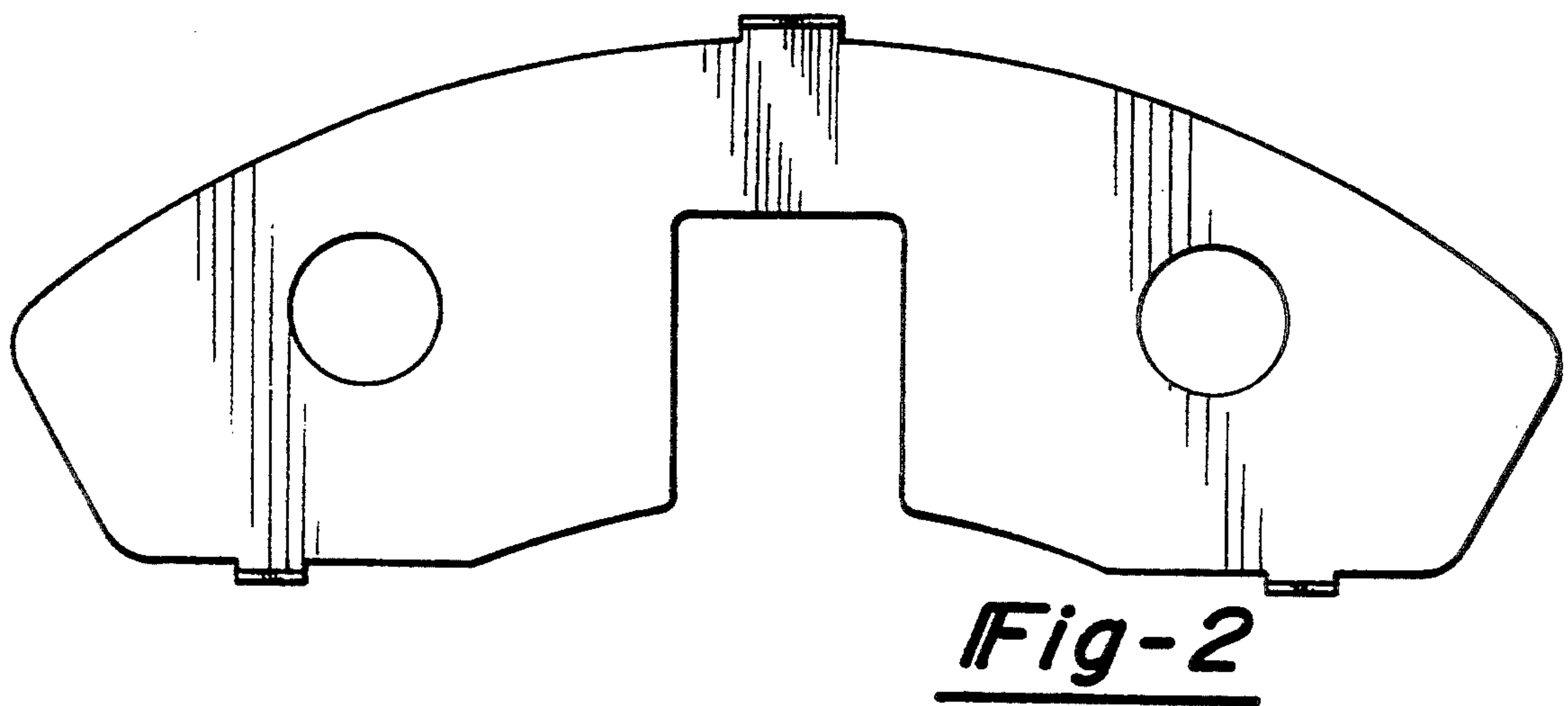
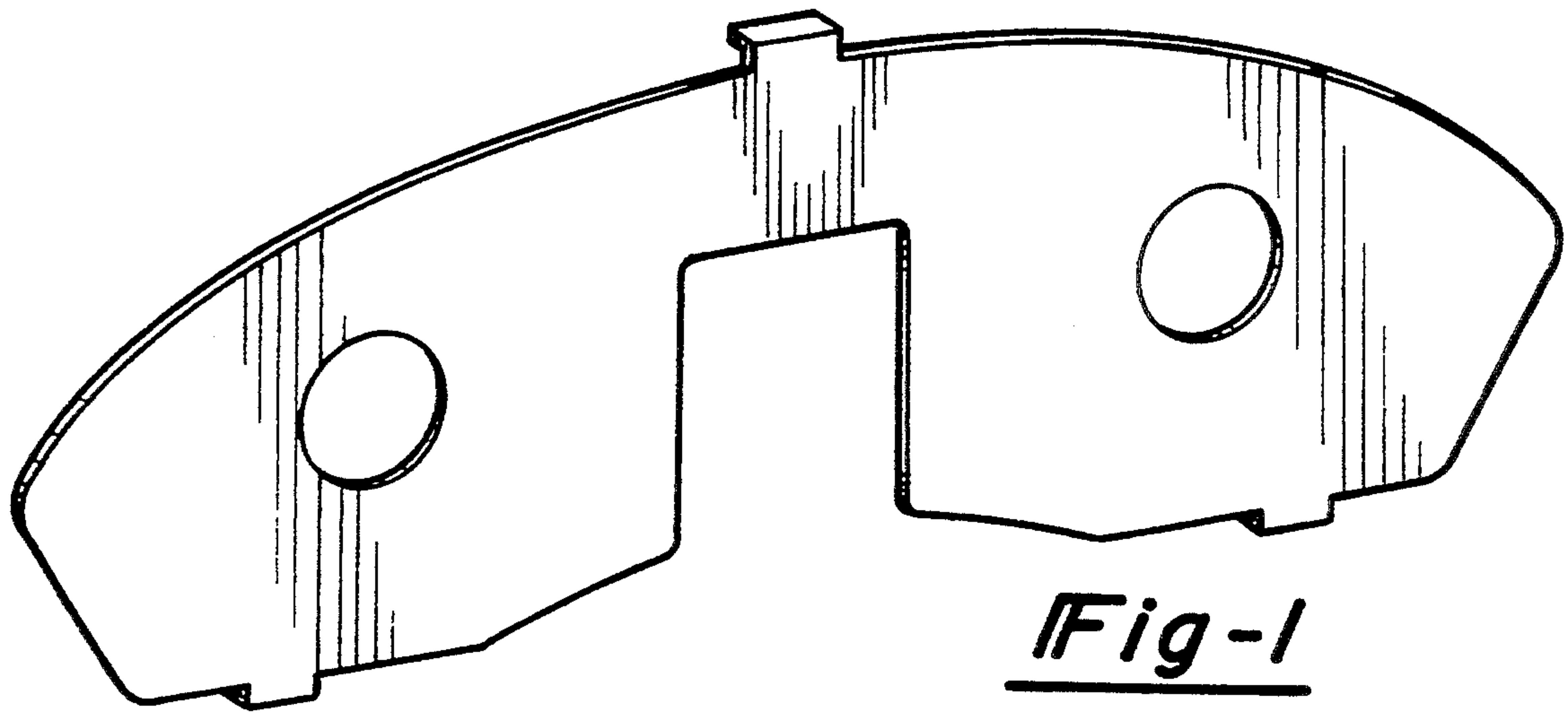




Fig-4

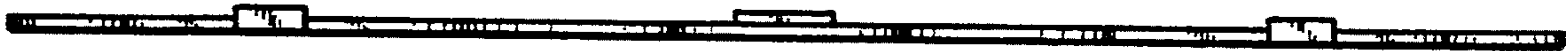


Fig-5



Fig-6



Fig-7