



US00D357657S

United States Patent [19]

Steinke et al.

[11] Patent Number: **Des. 357,657**

[45] Date of Patent: **** Apr. 25, 1995**

- [54] **DISC BRAKE SHIM**
- [75] Inventors: **Gustav J. Steinke; Starla D. Huffer,**
both of Lima, Ohio
- [73] Assignee: **International Brake Industries, Inc.,**
Lima, Ohio
- [**] Term: **14 Years**
- [21] Appl. No.: **19,424**
- [22] Filed: **Mar. 2, 1994**
- [52] U.S. Cl. **D12/180**
- [58] Field of Search **D12/180; 188/73.1, 250 B**

D. 337,750	7/1993	Steinke et al.	D12/180
D. 337,981	8/1993	Steinke et al.	D12/180
D. 337,982	8/1993	Steinke et al.	D12/180
D. 338,648	8/1993	Steinke et al.	D12/180
D. 341,120	11/1993	Steinke et al.	D12/180
D. 341,350	11/1993	Steinke et al.	D12/180
D. 341,807	11/1993	Steinke et al.	D12/180
D. 341,808	11/1993	Steinke et al.	D12/180
4,537,290	8/1985	Evans	188/250 B
5,129,487	7/1992	Kobayashi et al.	188/73.1
5,141,083	8/1992	Burgoon	188/250 B

FOREIGN PATENT DOCUMENTS

858302714 5/1986 European Pat. Off. 188/73.1

Primary Examiner—James M. Gandy

Assistant Examiner—M. Brown

Attorney, Agent, or Firm—Edgar A. Zarins; Malcolm L. Sutherland

[56] References Cited

U.S. PATENT DOCUMENTS

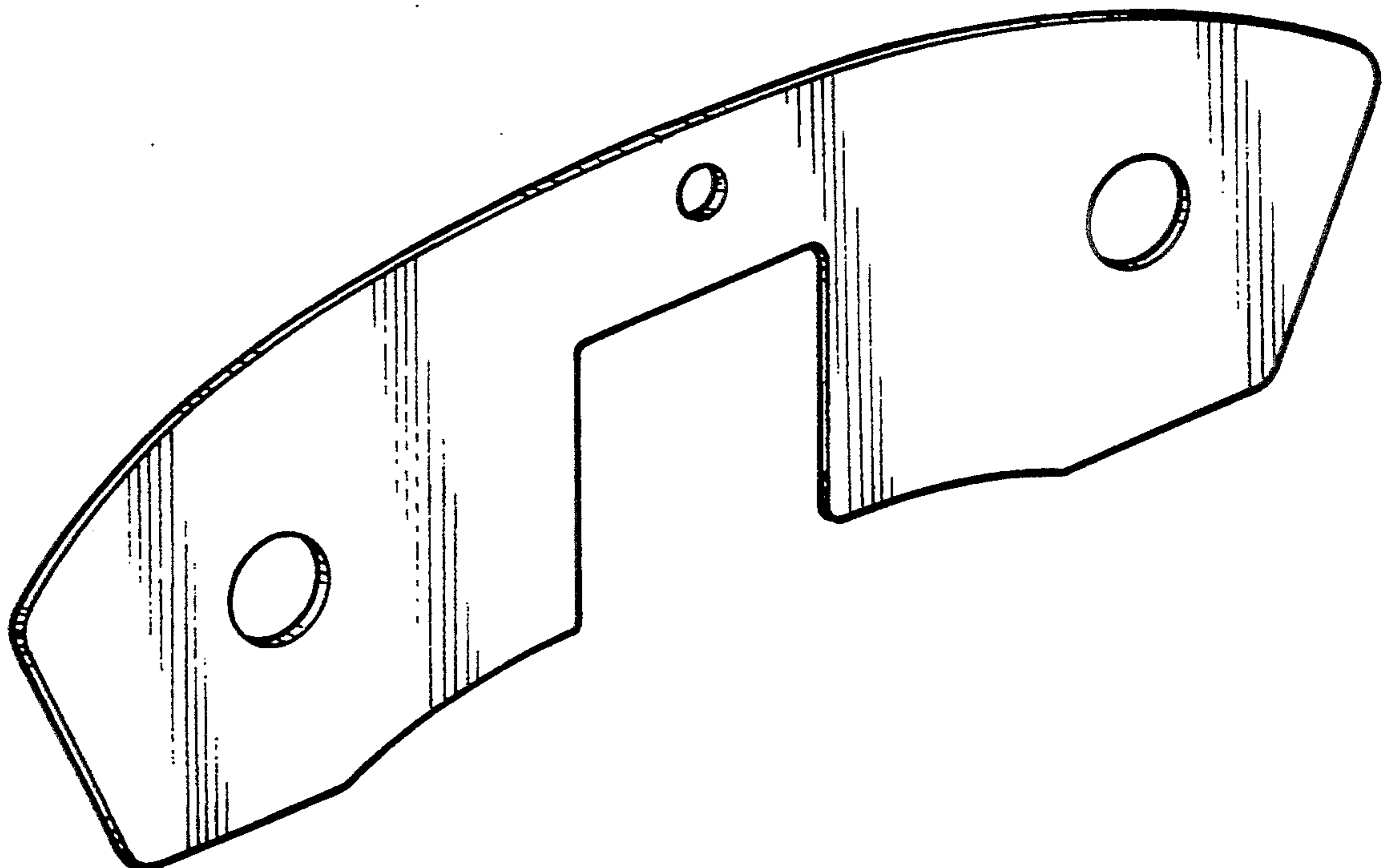
D. 331,119	11/1993	Steinke et al.	D12/180
D. 336,741	6/1993	Steinke et al.	D12/180
D. 336,882	6/1993	Steinke et al.	D12/180
D. 336,883	6/1993	Steinke et al.	D12/180
D. 337,088	7/1993	Steinke et al.	D12/180
D. 337,089	7/1993	Steinke et al.	D12/180
D. 337,293	7/1993	Steinke et al.	D12/180
D. 337,294	7/1993	Steinke et al.	D12/180
D. 337,295	7/1993	Steinke et al.	D12/180
D. 337,296	7/1993	Steinke et al.	D12/180
D. 337,557	7/1993	Steinke et al.	D12/180
D. 337,558	7/1993	Steinke et al.	D12/180
D. 337,559	7/1993	Steinke et al.	D12/180
D. 337,560	7/1993	Steinke et al.	D12/180

[57] CLAIM

The ornamental design for a disc brake shim, as shown and described.

DESCRIPTION

FIG. 1 is a perspective view of a disc brake shim showing our new design;
 FIG. 2 is a front elevational view thereof;
 FIG. 3 is a top plan view thereof;
 FIG. 4 is a bottom plan view thereof; and,
 FIG. 5 is a side view thereof, the opposite side being a mirror image of the side shown.



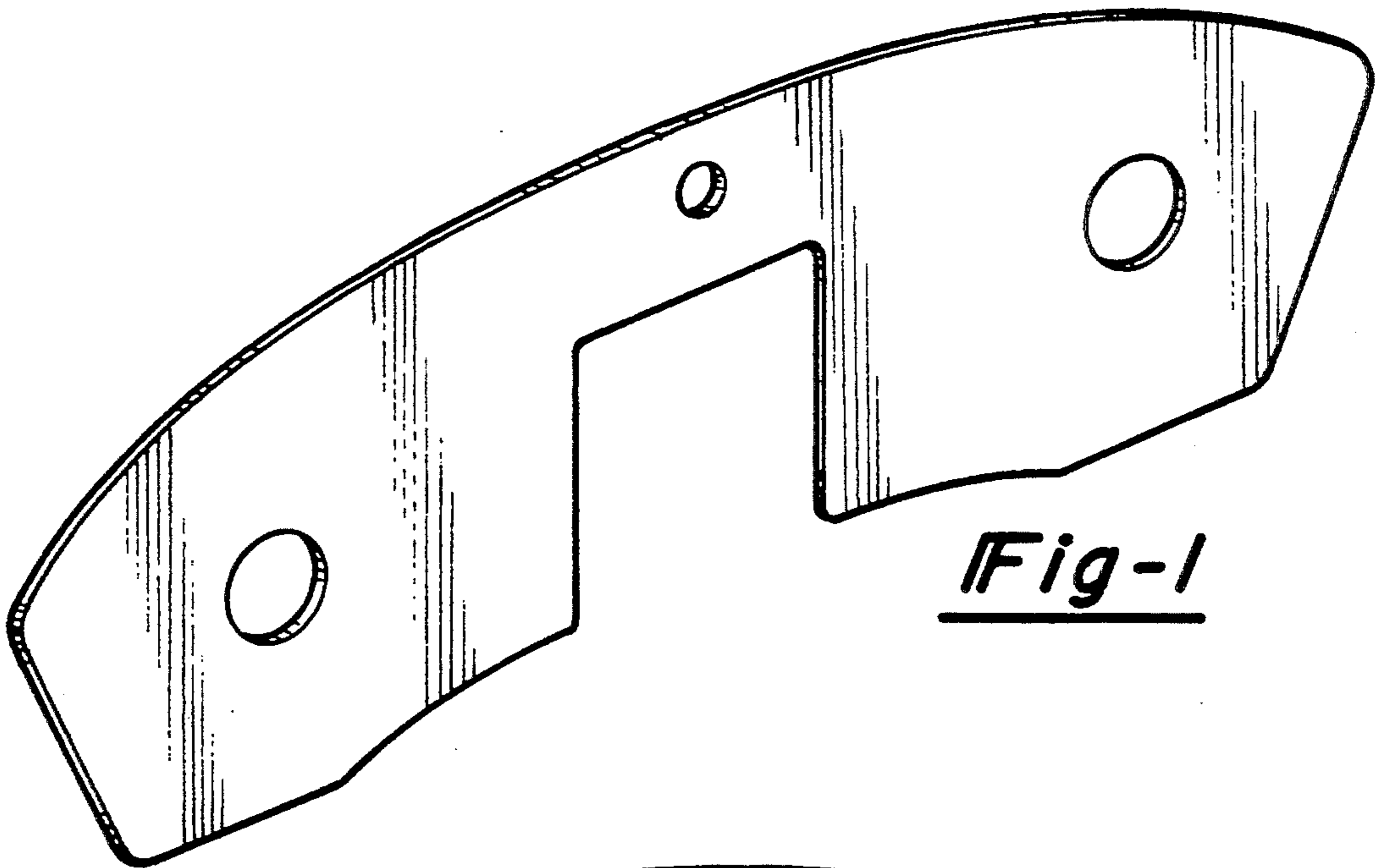


Fig-1

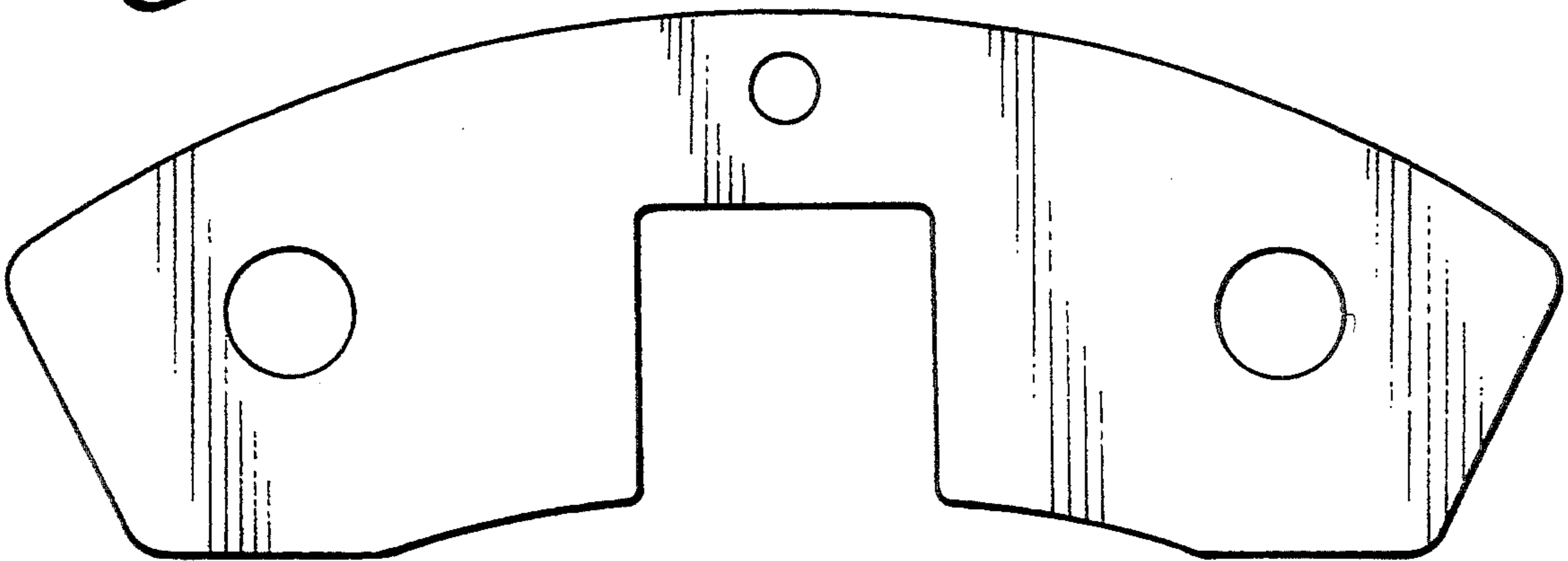


Fig-2



Fig-3



Fig-4

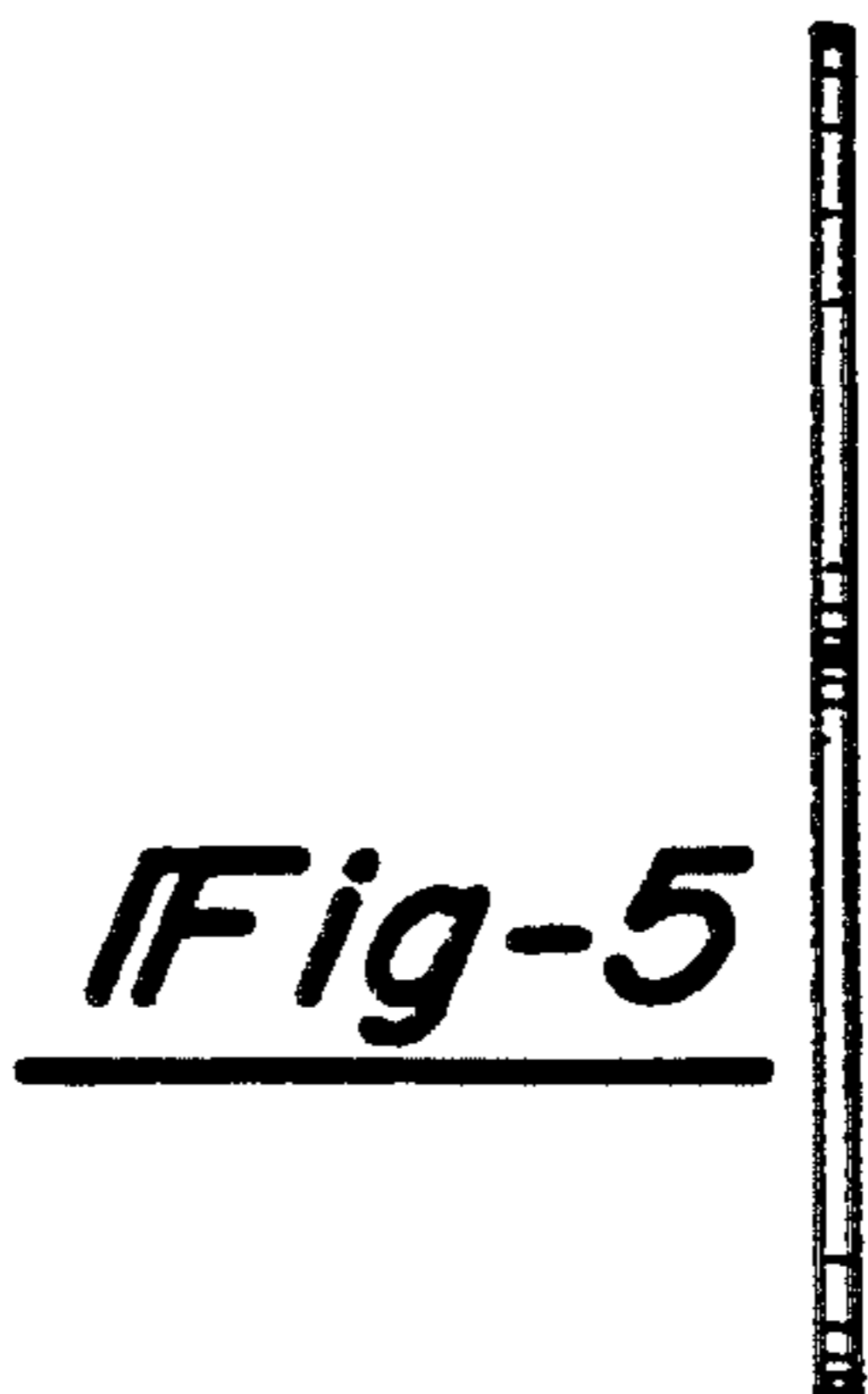


Fig-5