



US00D357650S

United States Patent [19]

[11] Patent Number: **Des. 357,650**

Evans et al.

[45] Date of Patent: **** Apr. 25, 1995**

[54] **WEIGHT DISTRIBUTION PAD FOR TRAILERS**

[76] Inventors: **Leonard W. Evans, Leslie W. Evans;**
both of 405, 9930 Bonaventure Drive
S.E., Calgary, Alberta, Canada, T2J
4L4

[**] Term: **14 Years**

[21] Appl. No.: **5,789**

[22] Filed: **Mar. 12, 1993**

[52] U.S. Cl. **D12/106; D34/31**

[58] Field of Search **D12/106, 120; D8/374;**
D10/113; D34/31; 280/763.1, 293; 248/346,
352, 357, 188.9, 677, 678, 679; 108/901, 902

D. 321,498	11/1991	Jones	D12/217
D. 344,033	2/1994	Davidge	D10/113
3,269,336	8/1966	Naylor et al.	108/901 X
3,470,663	10/1969	Tate	248/357 X
4,189,125	2/1980	Little	248/346
4,254,927	3/1981	Stonhaus	248/346
4,474,387	10/1984	Maranell et al.	280/293
4,824,136	4/1989	Baxter	280/763.1
4,991,811	2/1991	Portnoy	248/346
5,054,805	10/1991	Hunyersuk et al.	280/763.1

Primary Examiner—James M. Gandy
Assistant Examiner—M. Brown
Attorney, Agent, or Firm—Jerry T. Kearns

[57] CLAIM

The ornamental design for a weight distribution pad for trailers, as shown.

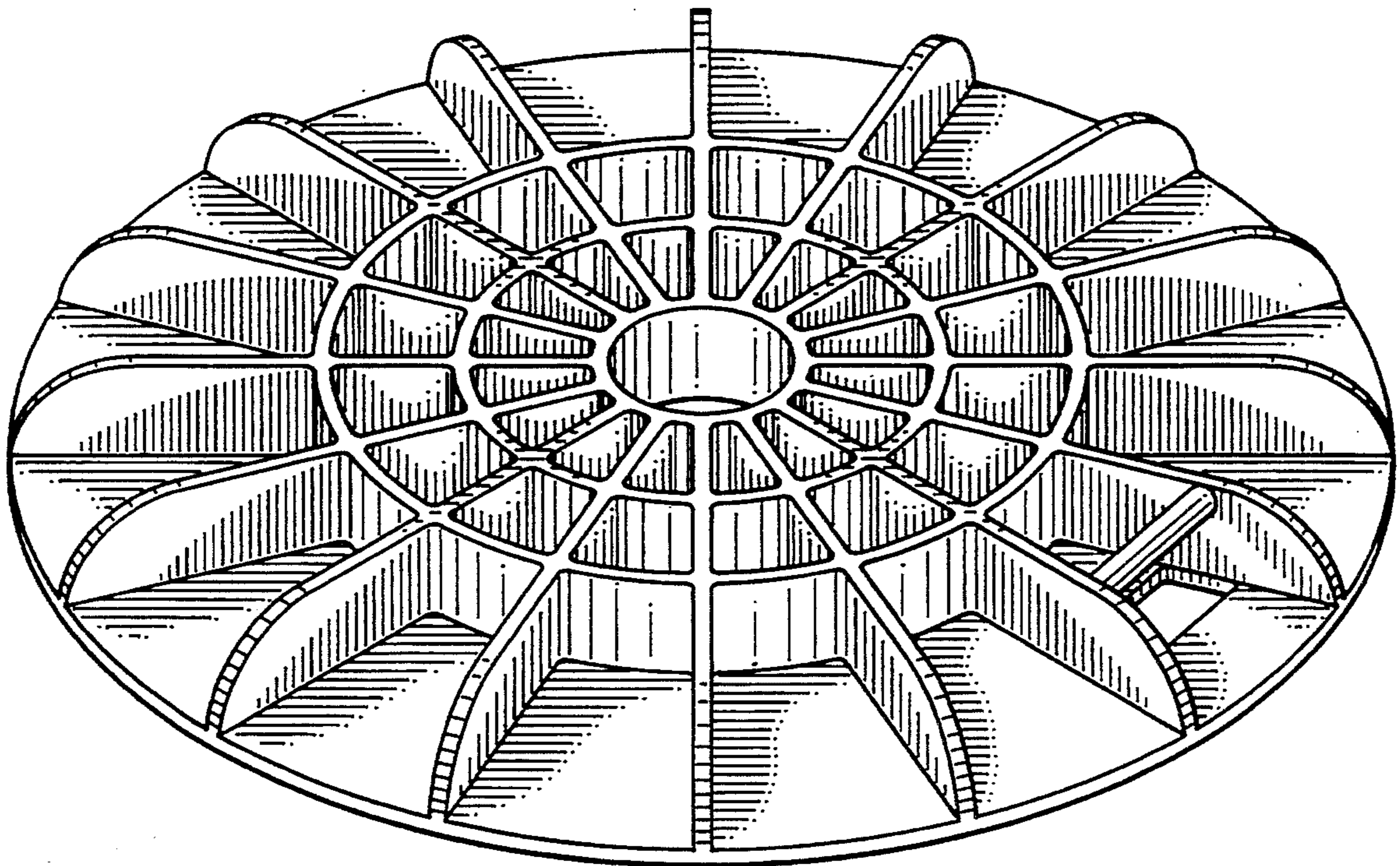
[56] References Cited

U.S. PATENT DOCUMENTS

D. 82,642	11/1930	Rush	D8/374
D. 133,106	7/1942	Phillips	D8/374
D. 154,451	5/1949	Wyatt	D10/113
D. 190,210	4/1961	Angier	D10/113
D. 306,419	3/1990	Meritt	D12/120

DESCRIPTION

FIG. 1 is a top perspective view of a weight distribution pad for trailers showing my new design;
FIG. 2 is a bottom perspective view thereof;
FIG. 3 is a top plan view thereof; and,
FIG. 4 is a cross-sectional view taken along line 4—4 of FIG. 3.



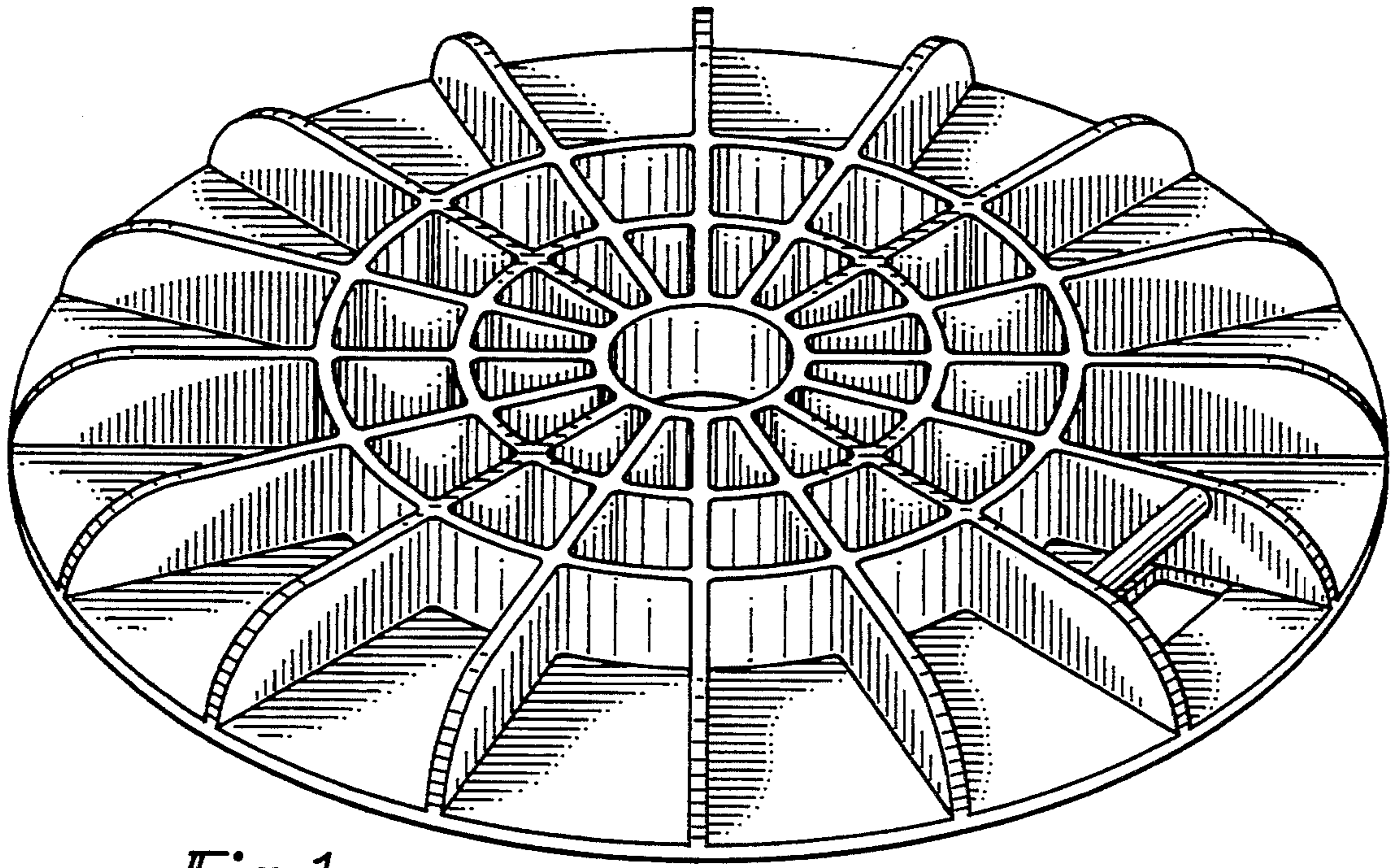


Fig. 1

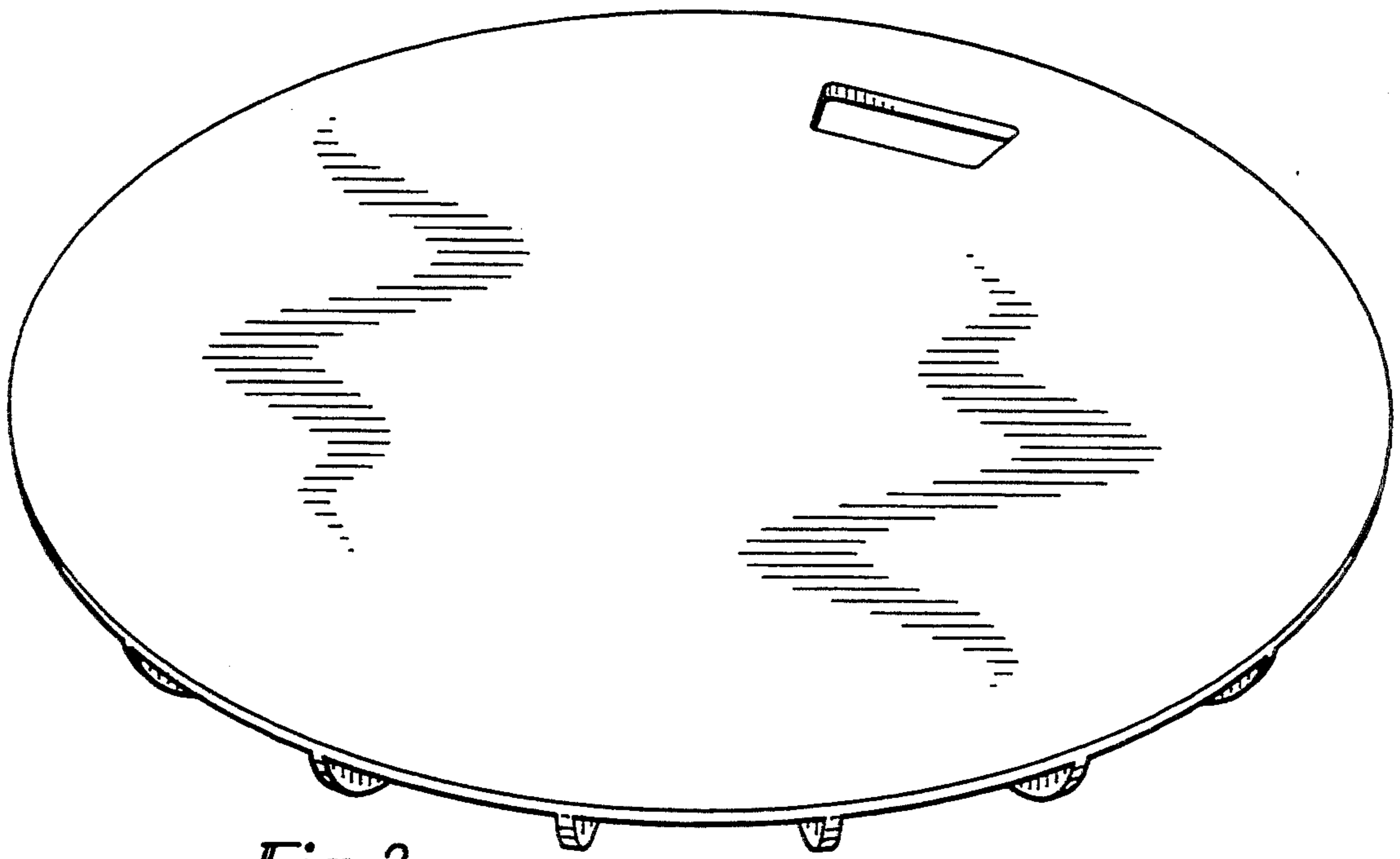


Fig. 2

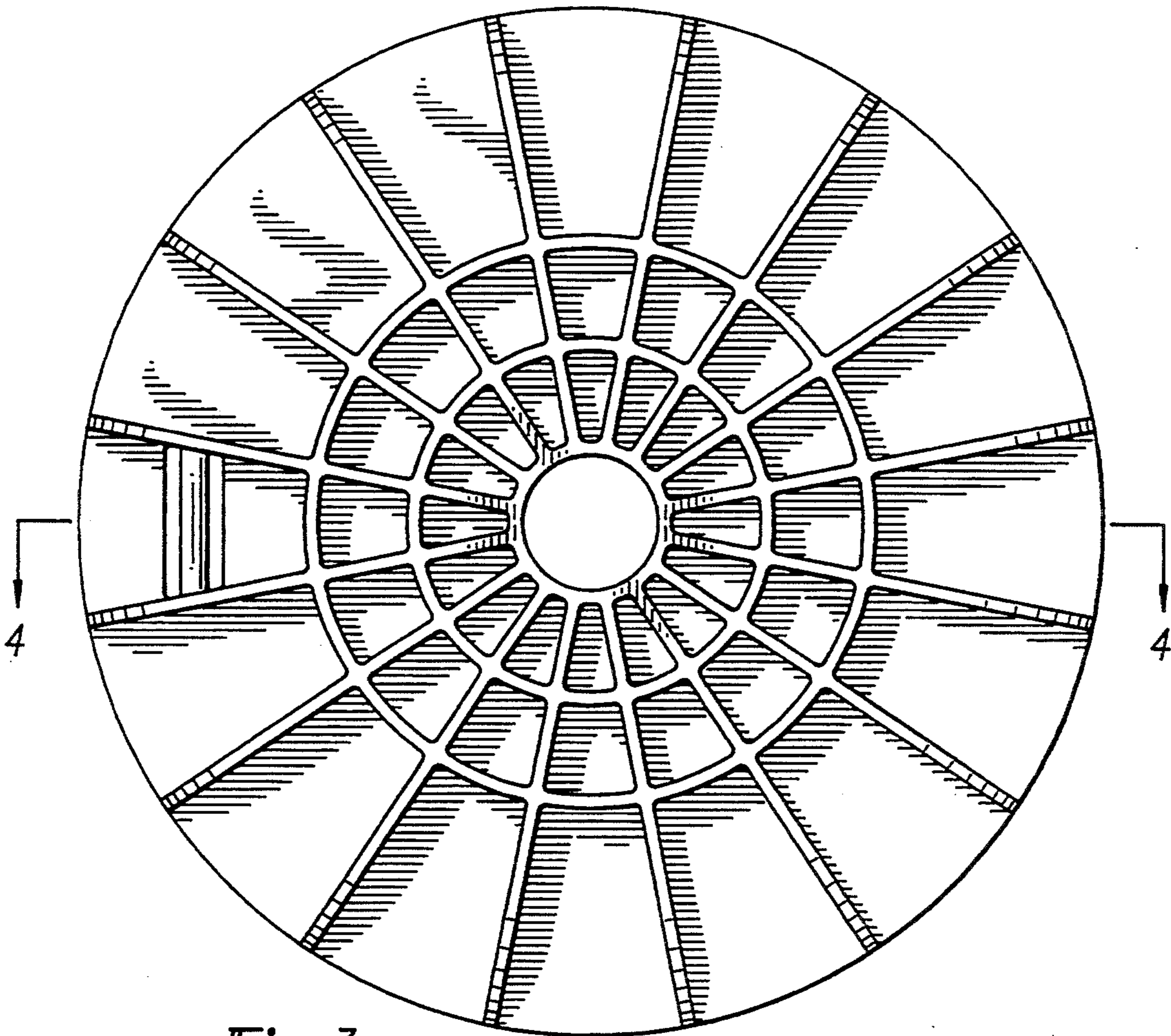


Fig. 3

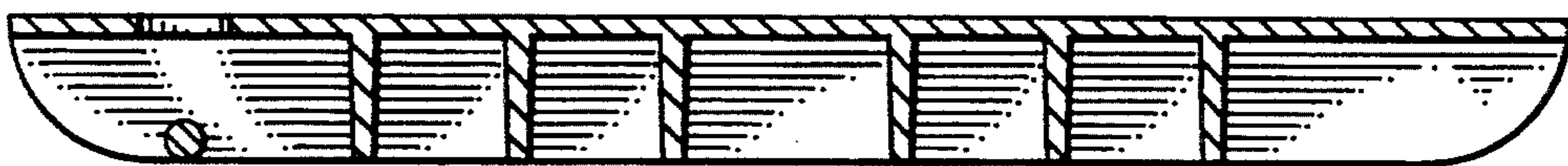


Fig. 4