



US00D357649S

United States Patent [19]

[11] Patent Number: **Des. 357,649**

Neyer

[45] Date of Patent: **** Apr. 25, 1995**

[54] CAMPING TRAILER

DESCRIPTION

[76] Inventor: **Stanley A. Neyer, 234 Green Lea Pl., Thousand Oaks, Calif. 91361**

FIG. 1 is a perspective view looking down and to the rear upon the upper left front of the camping trailer showing my new design, with the trailer doors in the open position;

[**] Term: **14 Years**

FIG. 2 is a left side view, thereof;

[21] Appl. No.: **5,005**

FIG. 3 is a perspective left rear view, thereof;

[22] Filed: **Feb. 19, 1993**

FIG. 4 is a rear view, thereof;

[52] U.S. Cl. **D12/103; D12/104**

FIG. 5 is a perspective right rear view, thereof;

[58] Field of Search **D12/103, 104, 101, 102, D12/96; 296/24 R, 22, 181, 183, 172, 173**

FIG. 6 is a right side view, thereof;

FIG. 7 is a perspective right front view, thereof;

[56] References Cited

FIG. 8 is a front view, thereof;

U.S. PATENT DOCUMENTS

FIG. 9 is a perspective left rear view, with dashed lines that represents a canvas enclosure, but, do not form a part of this invention;

D. 276,326 11/1984 Bell, Jr. **D12/102**

D. 294,474 1/1988 Pellenz **D12/102**

D. 308,033 5/1990 Cornell **D12/102**

3,830,541 8/1974 Bowman et al. **296/173**

FIG. 10 is a perspective right rear view, with dashed lines that represents a canvas enclosure, but, do not form a part of this invention;

Primary Examiner—James M. Gandy

FIG. 11 is a perspective right rear view of the trailer with the doors in the closed position; and,

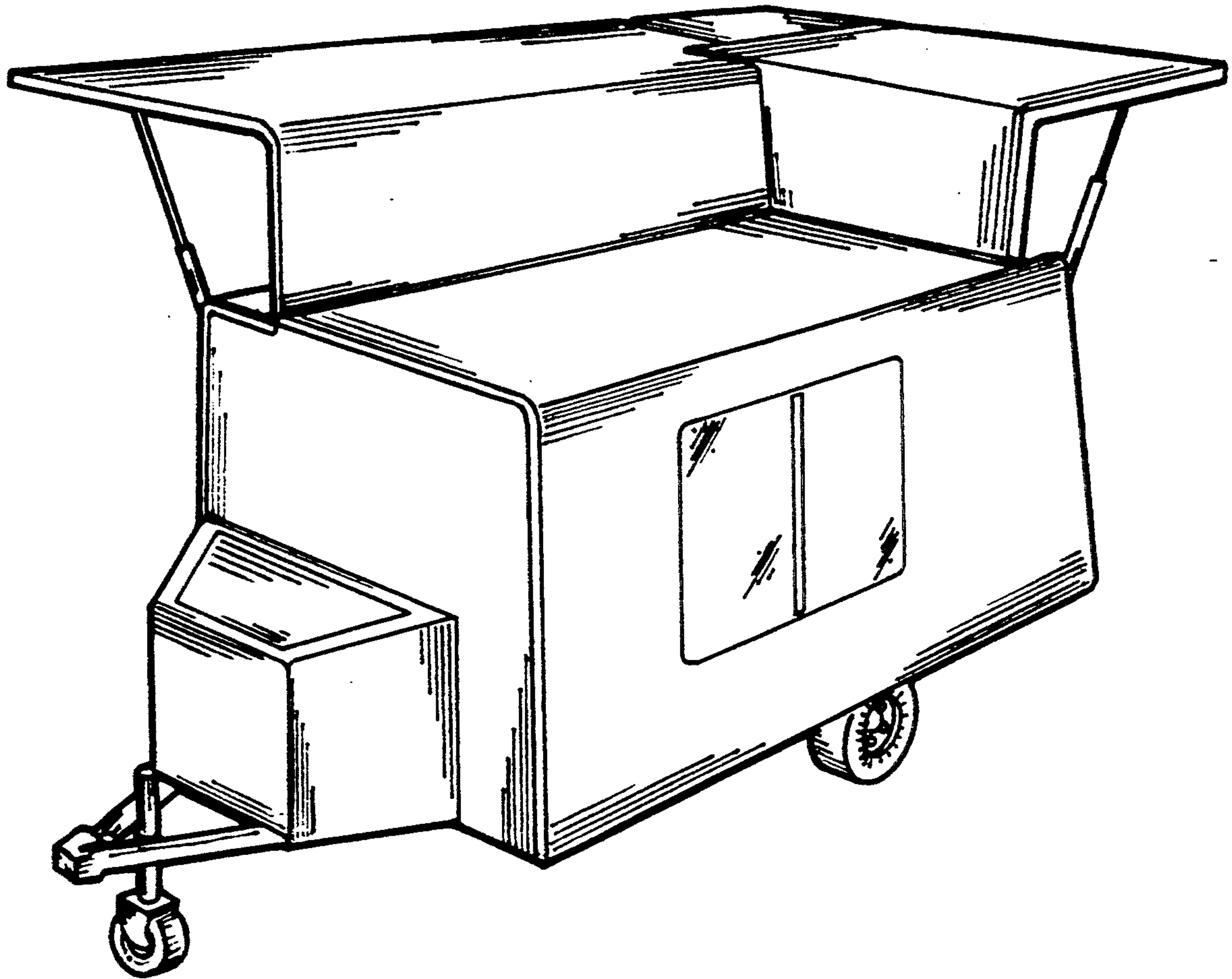
Assistant Examiner—M. Brown

FIG. 12 is a right side view of the trailer with the doors in the closed position.

[57] CLAIM

The ornamental design for a camping trailer, as shown and described.

The characteristic feature of my design resides in the "L" shaped roof, formed by the open doors, between the kitchen area and bed compartment.



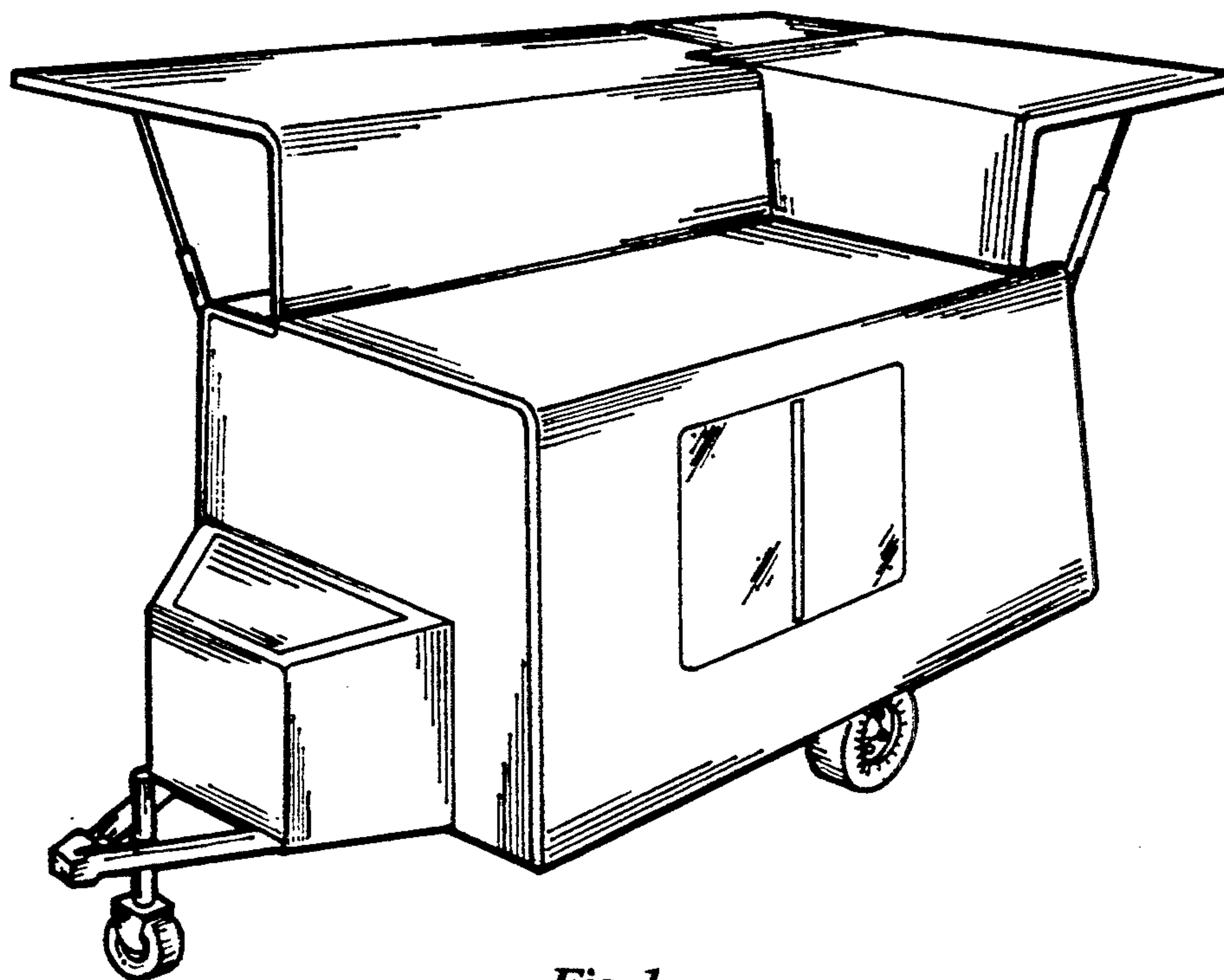


Fig 1

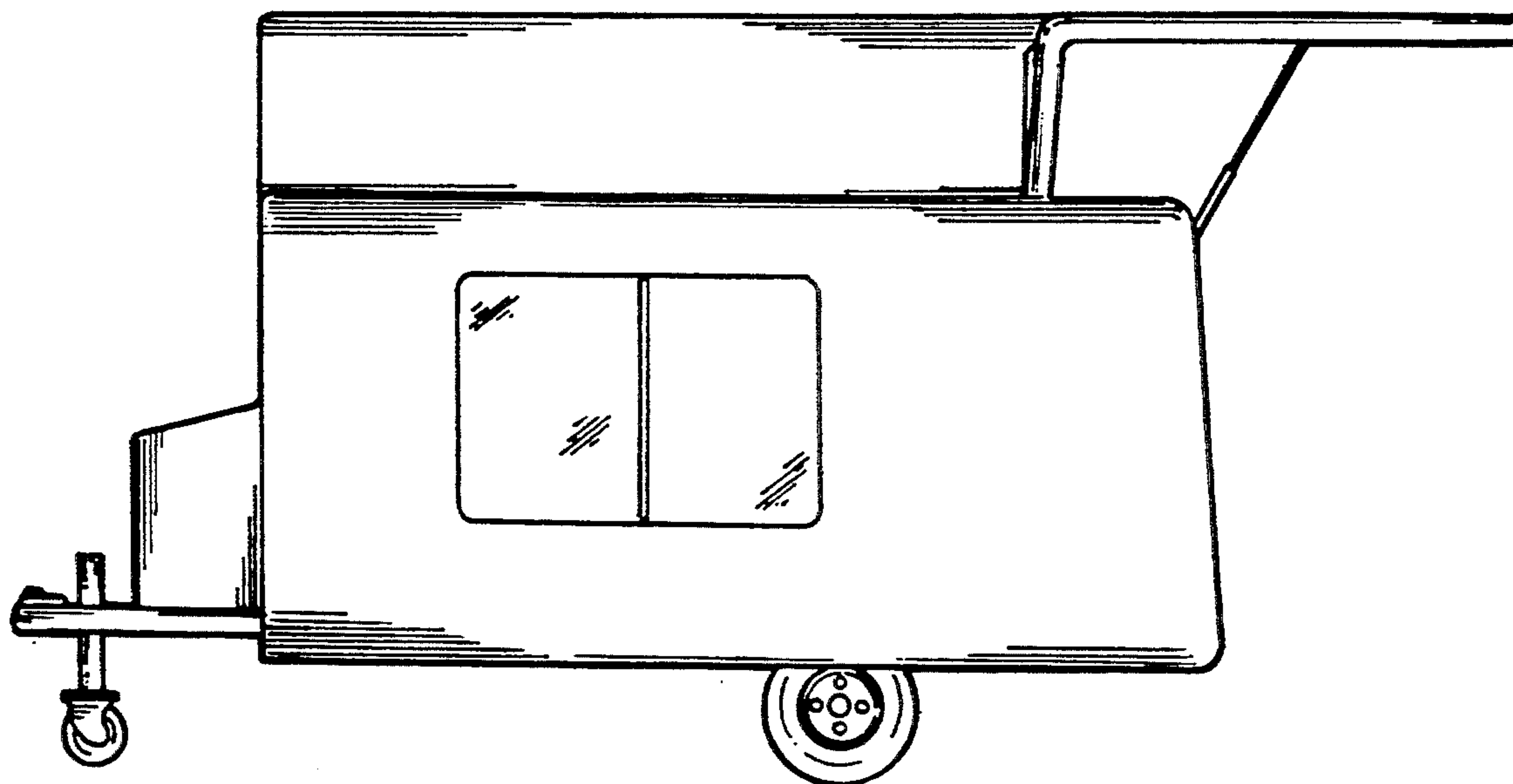


Fig 2

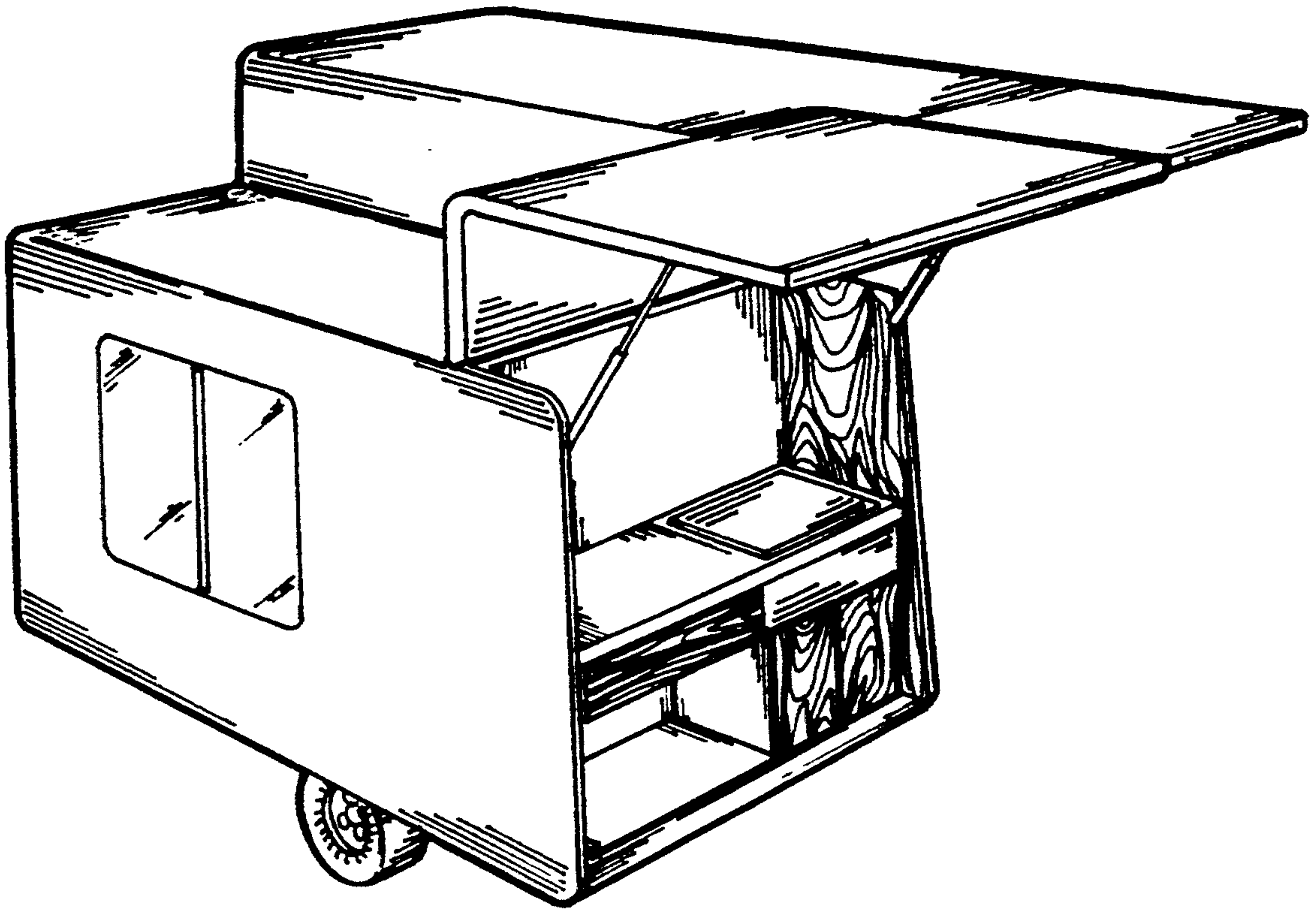


Fig 3

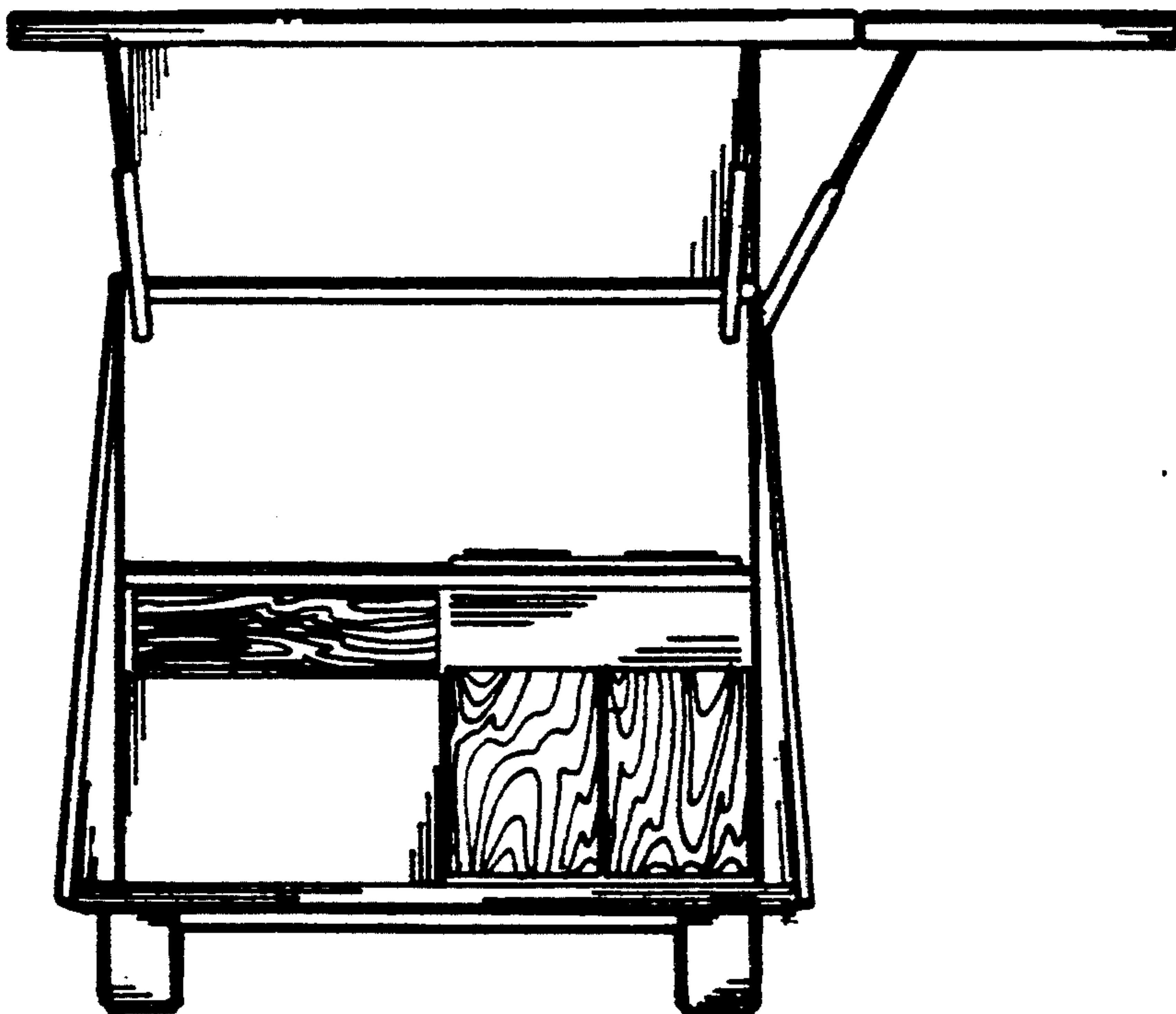


Fig 4

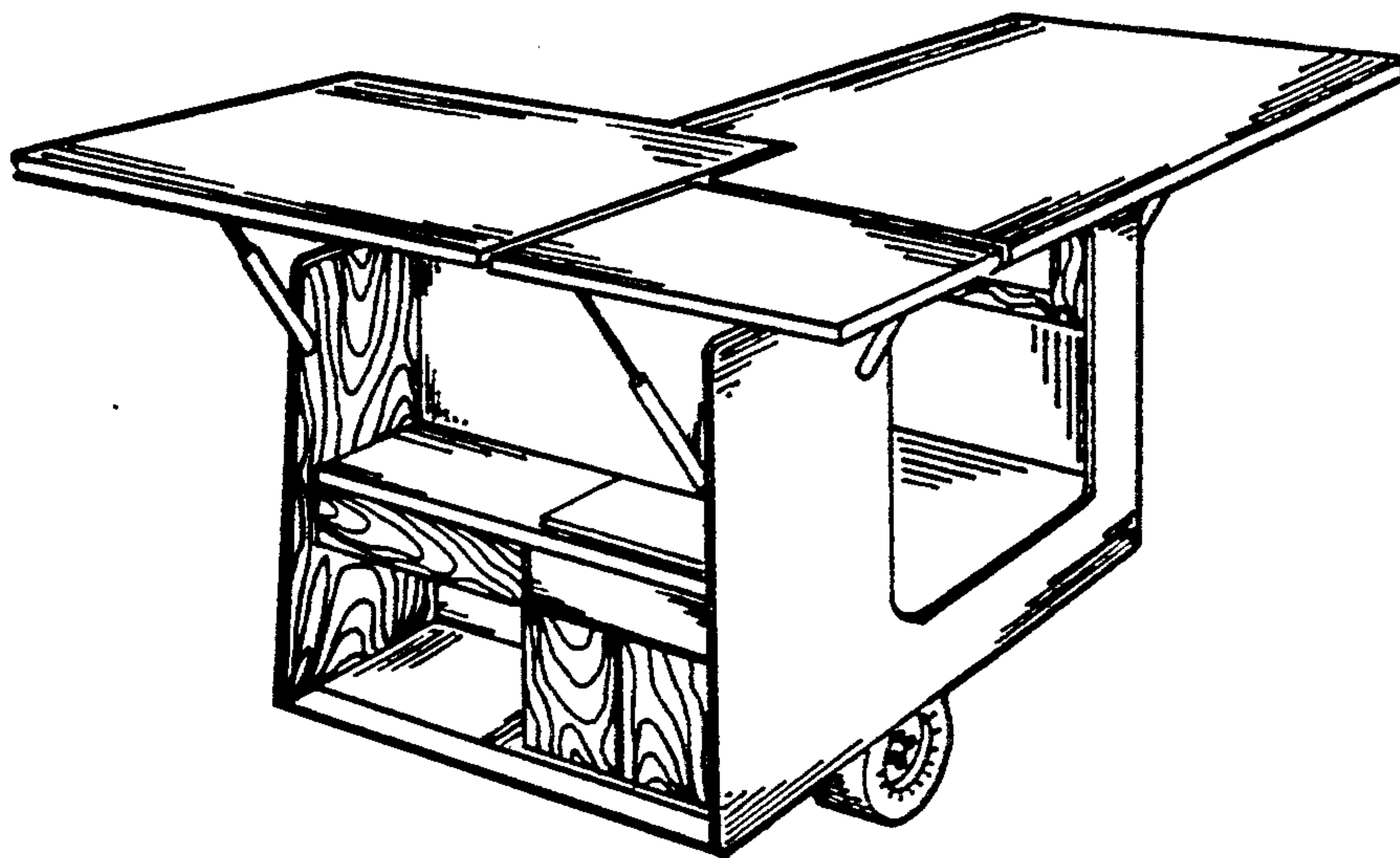


Fig 5

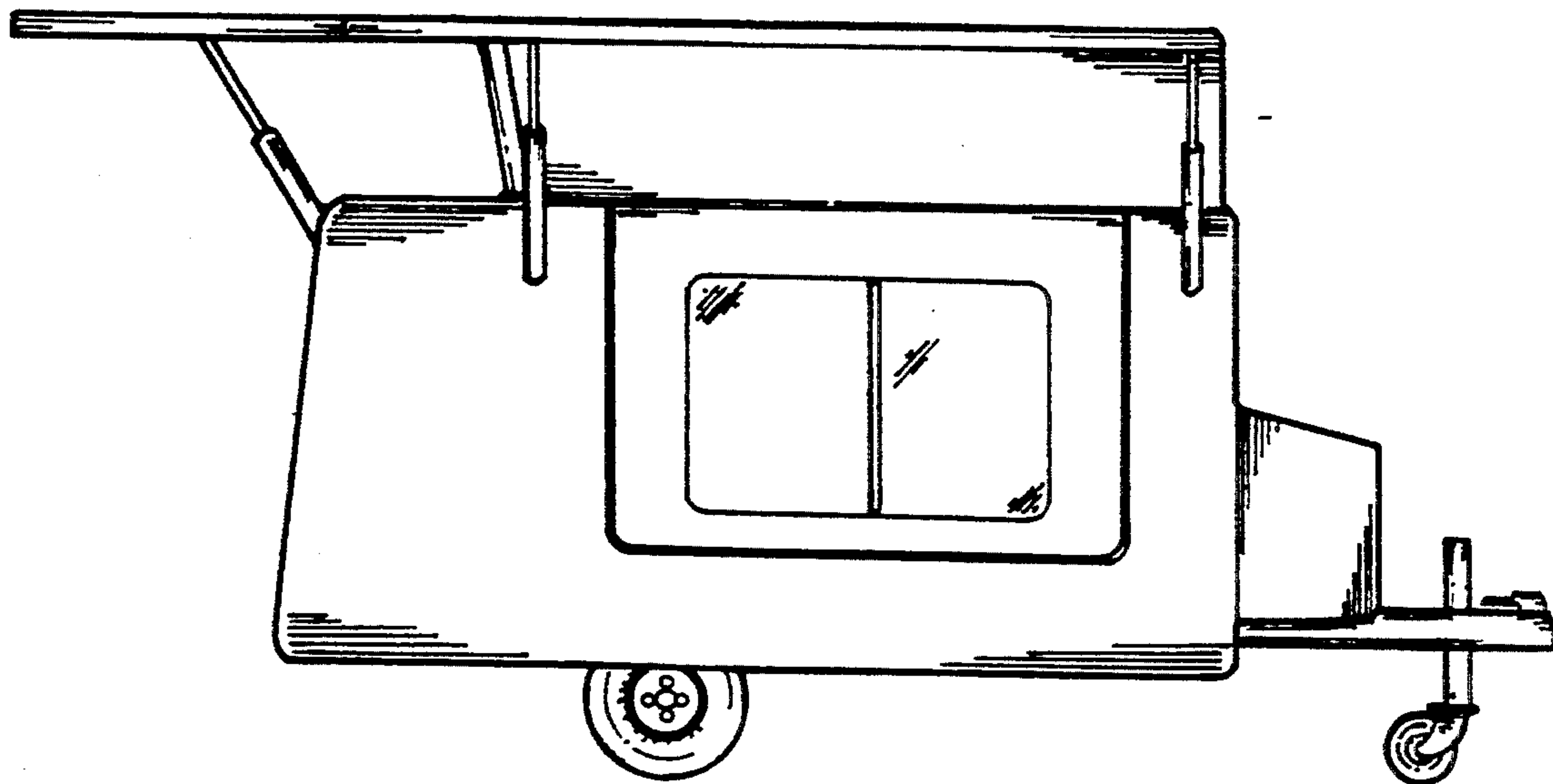


Fig 6

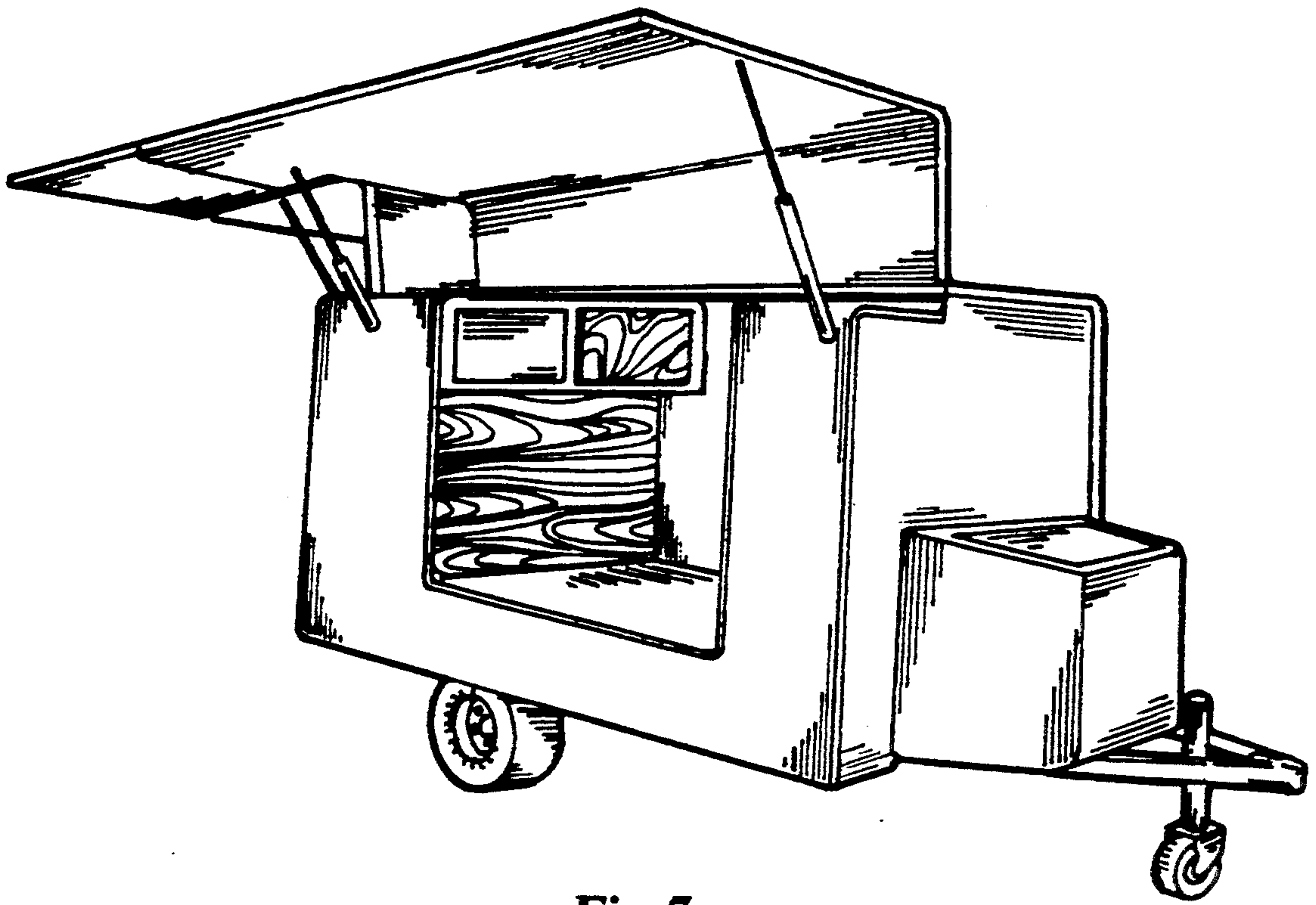


Fig 7

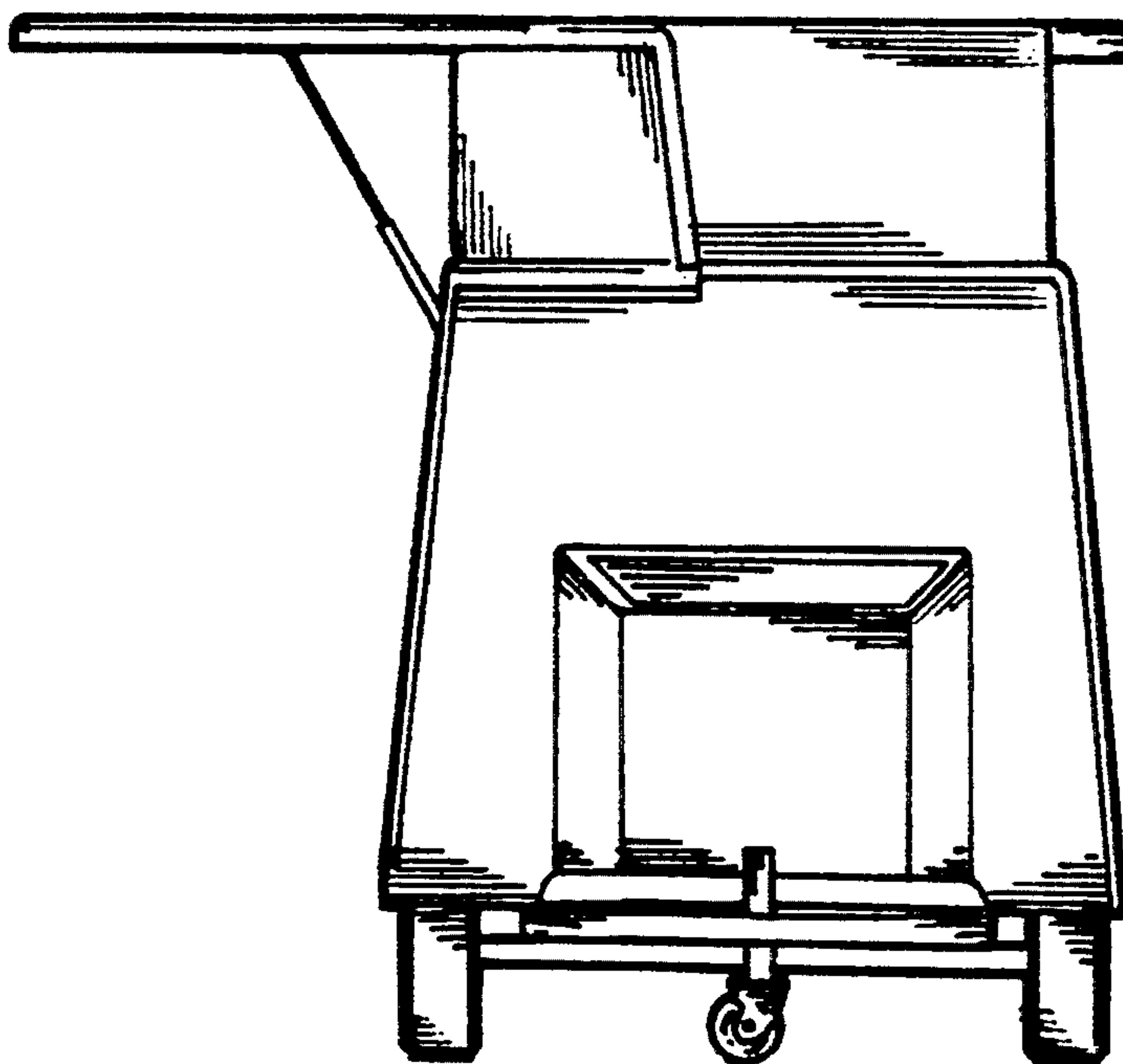


Fig 8

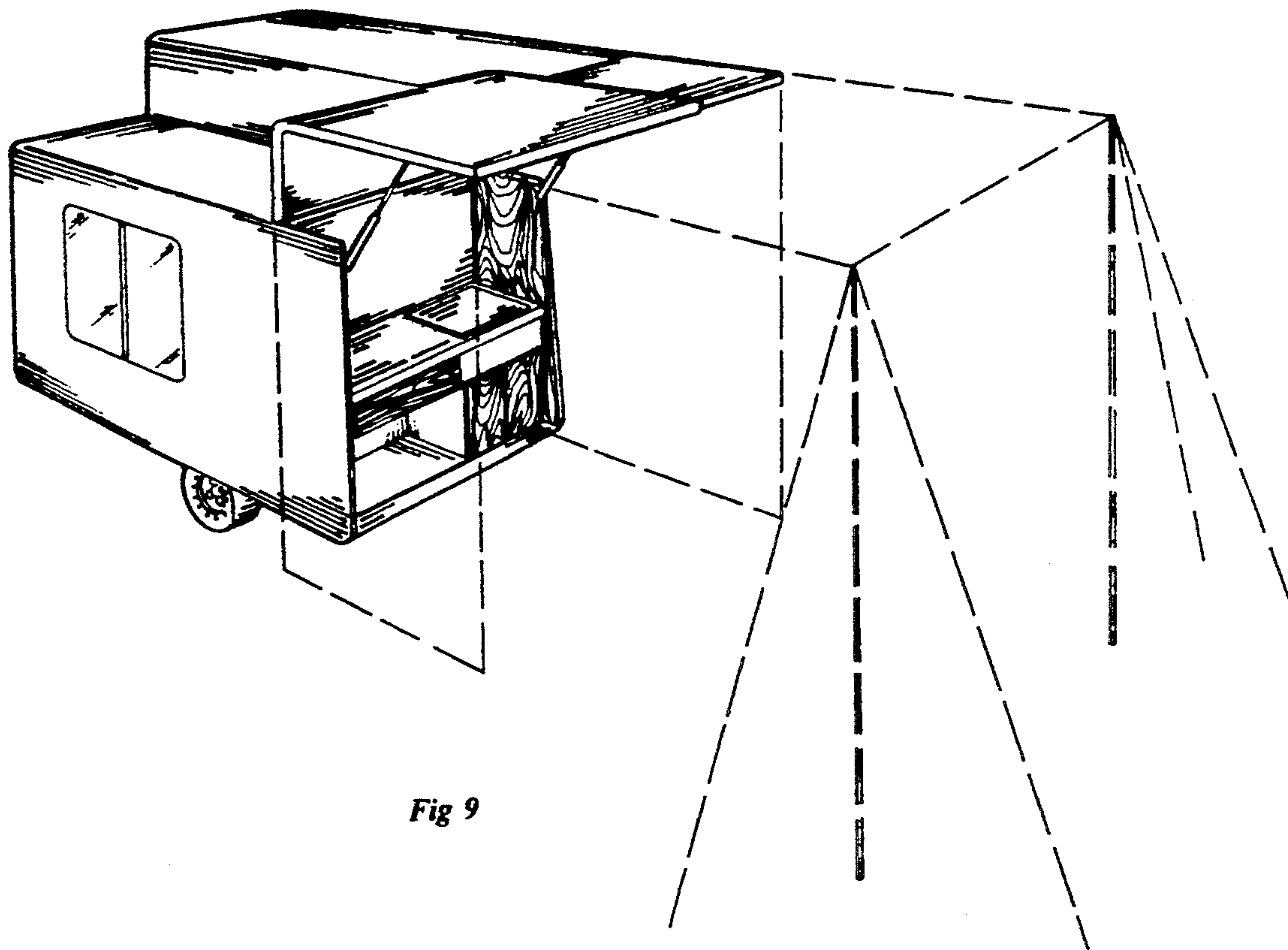


Fig 9

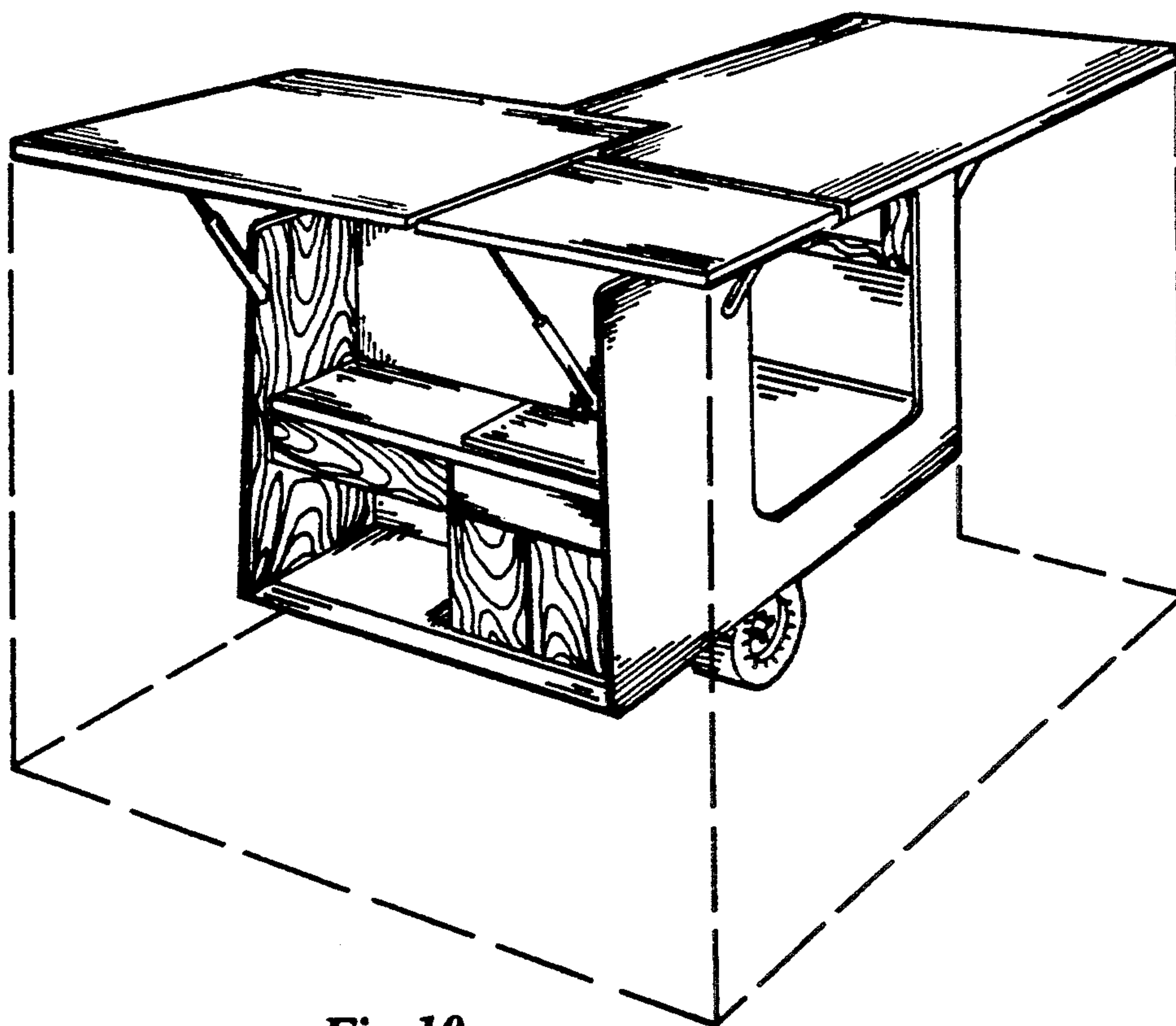


Fig 10

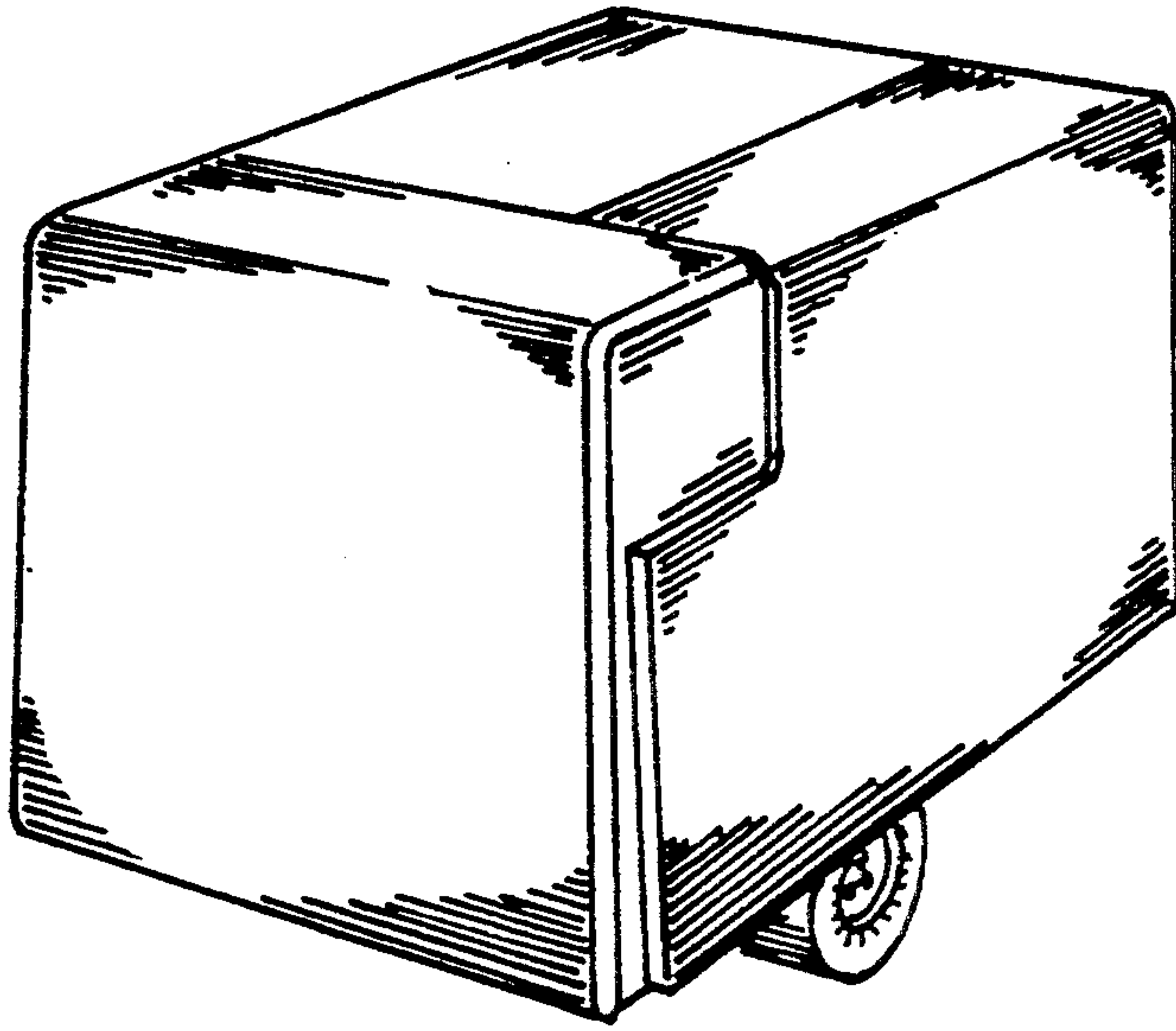


Fig 11

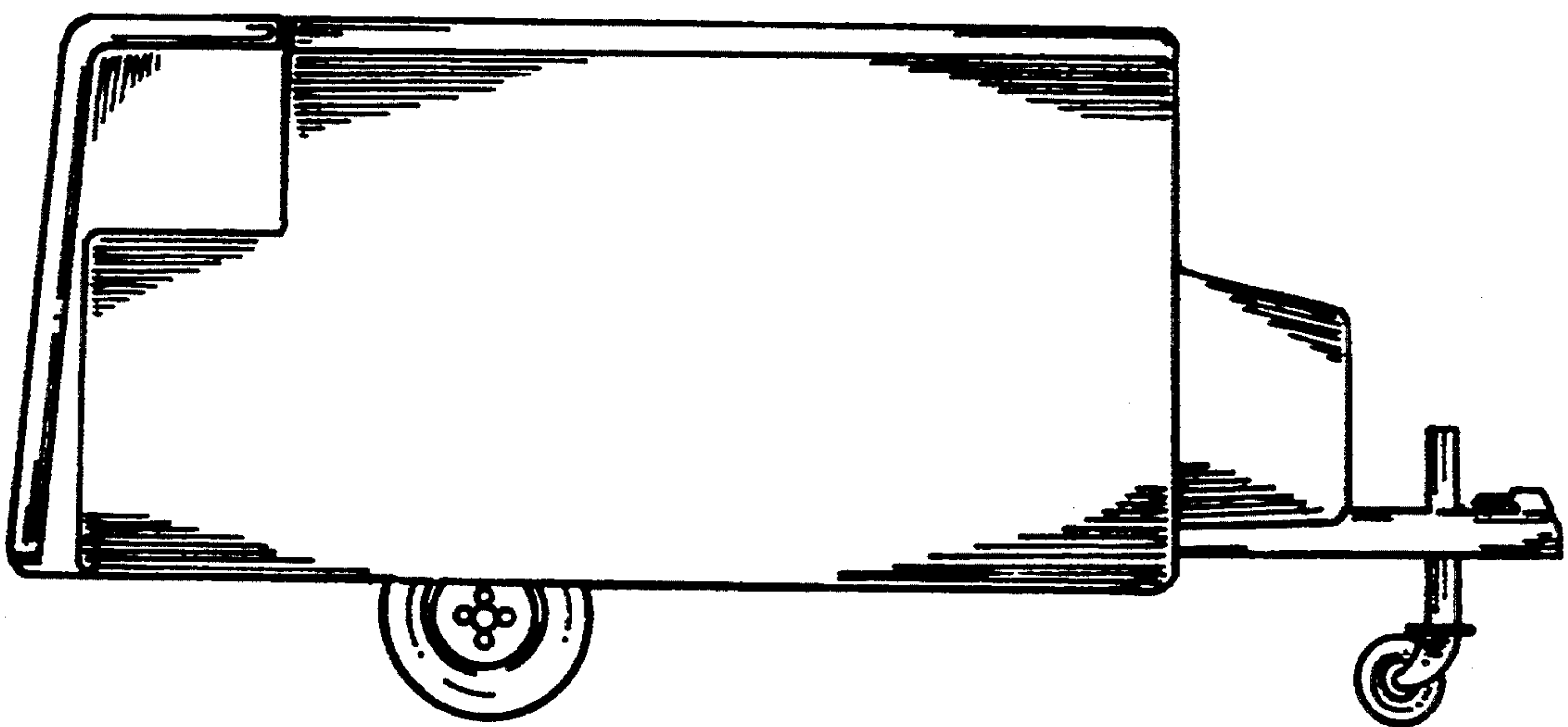


Fig 12