



US00D357634S

# United States Patent [19]

[11] Patent Number: **Des. 357,634**

**Booty, Jr.**

[45] Date of Patent: **\*\* Apr. 25, 1995**

[54] **ELECTRONIC ASSEMBLY HOUSING FOR ALARM CLOCKS, CLOCK RADIOS, TABLE LAMPS OR LIGHTS AND TOYS**

*Primary Examiner*—Nelson C. Holtje

[75] Inventor: **Donald J. Booty, Jr., Chicago, Ill.**

[57] **CLAIM**

The ornamental design for electronic assembly housing for alarm clocks, clock radios, table lamps or lights, and toys, as shown and described.

[73] Assignee: **Phorm Concept & Design, Chicago, Ill.**

[\*\*] Term: **14 Years**

[21] Appl. No.: **10,759**

[22] Filed: **Jul. 19, 1993**

[52] U.S. Cl. .... **D10/7; D10/15; D10/128**

[58] Field of Search ..... **D10/1-40, D10/122-132; 368/276-277, 285**

**DESCRIPTION**

FIG. 1 is a side view (left) of the electronic assembly housing for alarm clocks, clock radios, table lamps or lights, and toys;

FIG. 2 is a side view (right) of the electronic assembly housing for alarm clocks, clock radios, table lamps or lights, and toys rotated 180 degrees from the view in FIG. 1;

FIG. 3 is a top view of the electronic assembly housing for alarm clocks, clock radios, table lamps or lights, and toys;

FIG. 4 is a rear view of the electronic assembly housing for alarm clocks, clock radios, table lamps or lights, and toys of FIG. 1-3;

FIG. 5 is a front view of the electronic assembly housing for alarm clocks, clock radios, table lamps or lights, and toys of FIGS. 1-4; and,

FIG. 6 is a right side perspective view of the electronic assembly housing for alarm clocks, clock radios, table lamps or lights, and toys of FIGS. 1-5.

Photographs of the design are attached and are made part of this application.

[56] **References Cited**

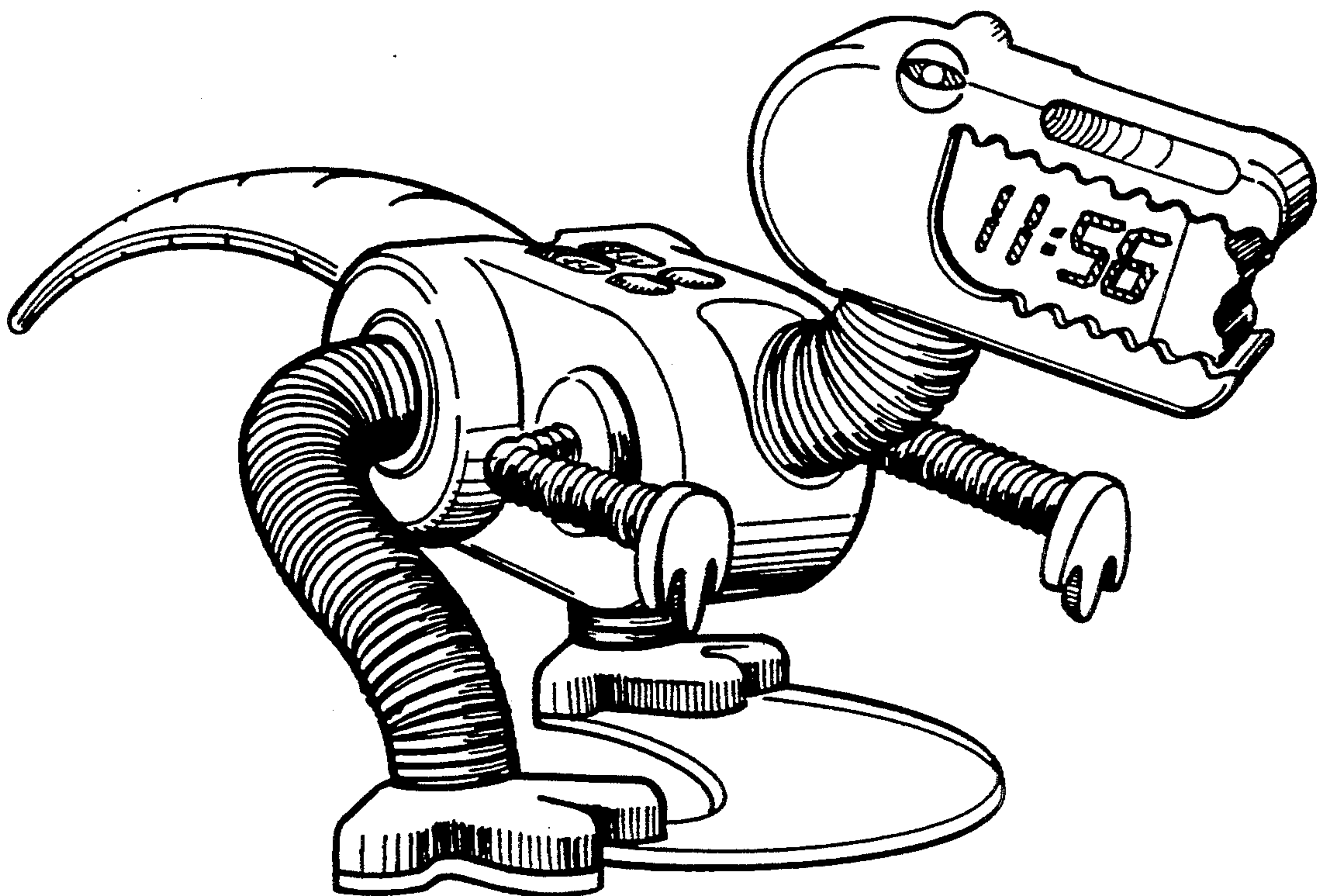
**U.S. PATENT DOCUMENTS**

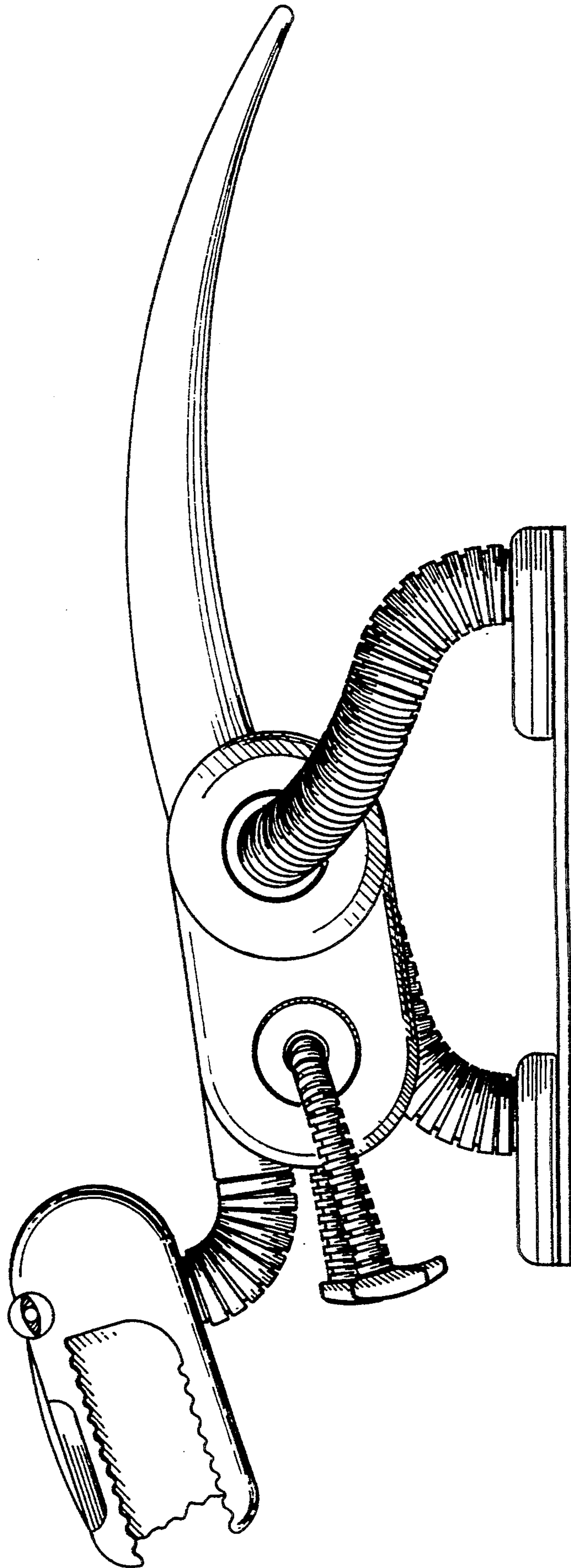
- D. 301,353 5/1989 Matsuda ..... D21/111
- D. 302,692 8/1989 Gobindram ..... D21/111
- D. 340,484 10/1993 Sachetti ..... D21/148

**OTHER PUBLICATIONS**

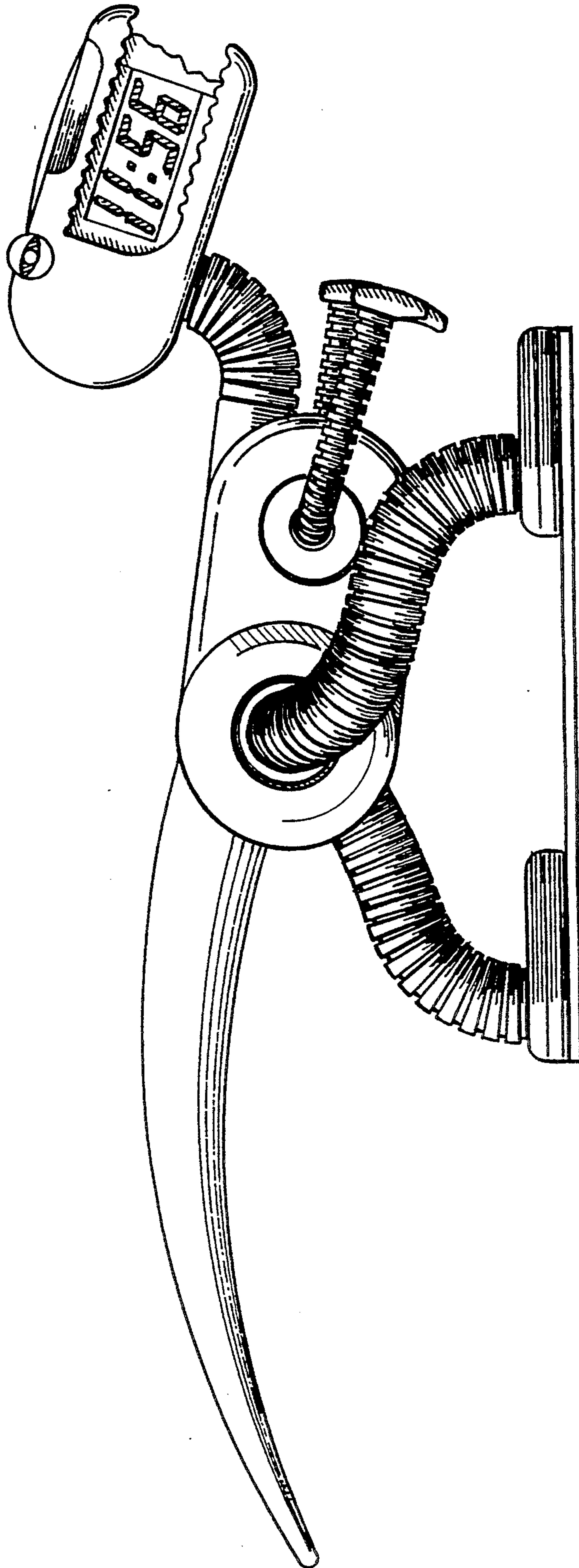
*Home Furn. Daily*—Nov. 10, 1986—p. 79—Clocks At Top.  
*Jeweler's Circular Keystone*—Jan. 1983—p. "G"—Clock At Bottom—Left.

*Housewares Size of Home Furn. Daily*—Jan. 11, 1988—p. 140—Clock At Top—Left.



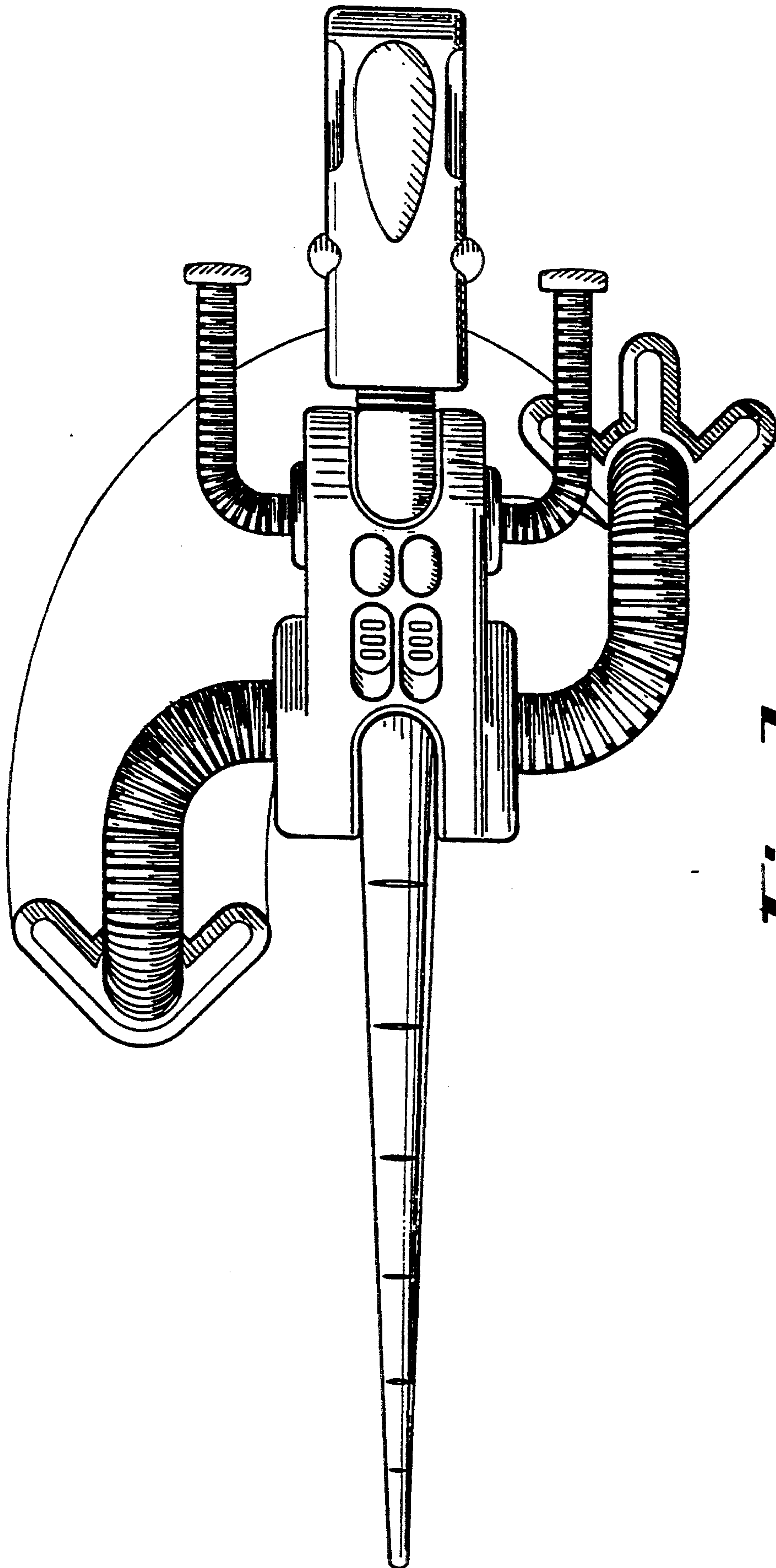


*Fig. 1*

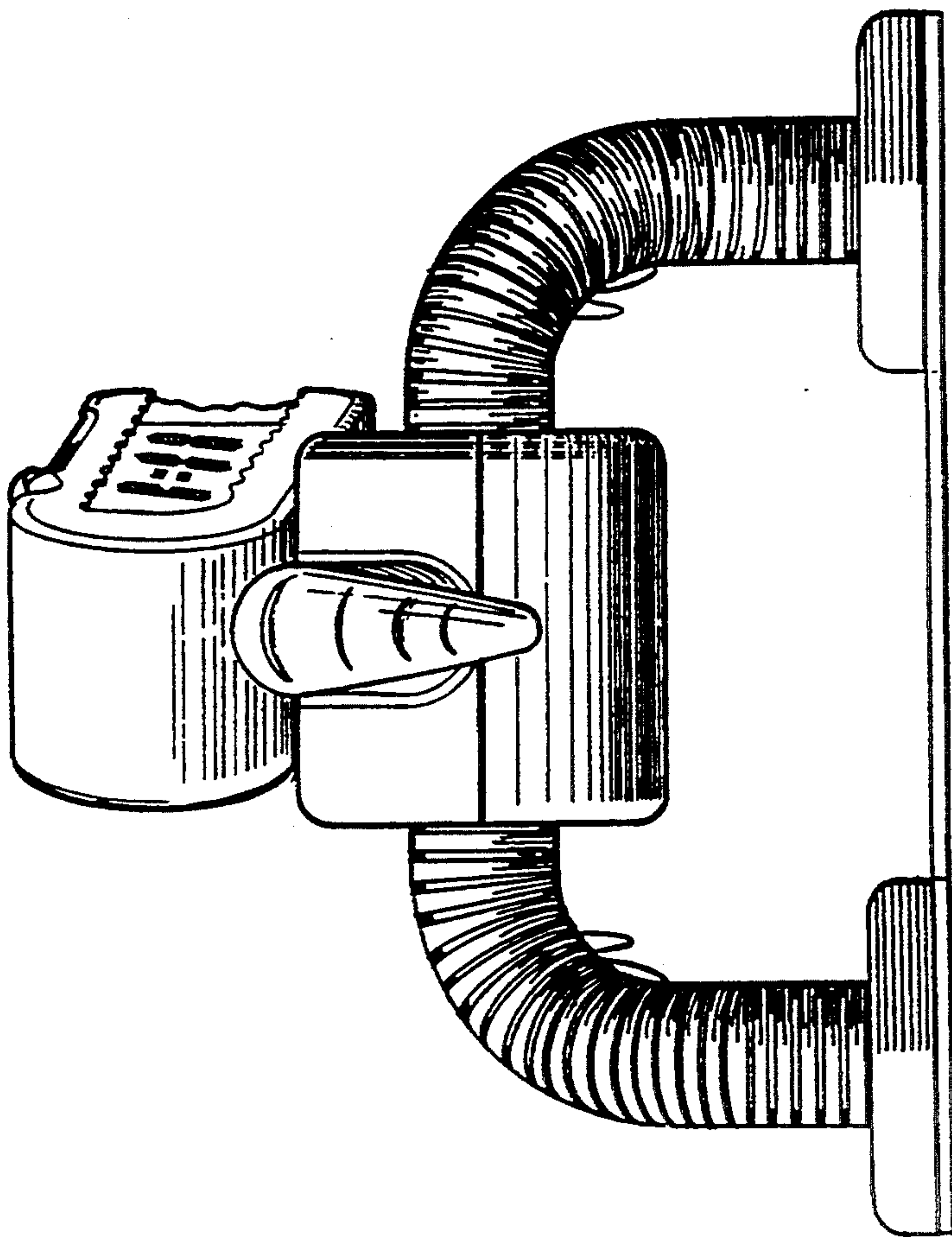


**Fig. 2**

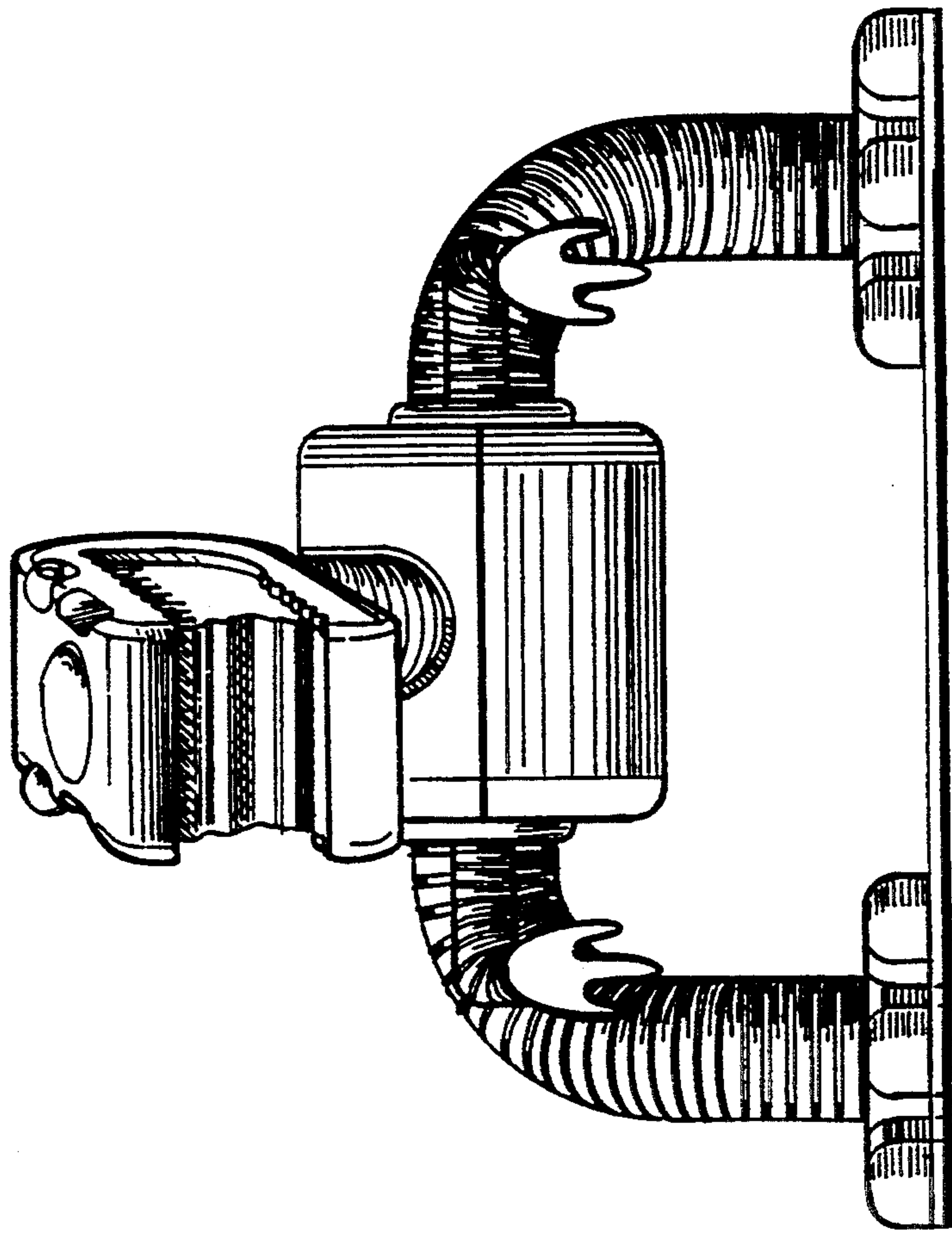




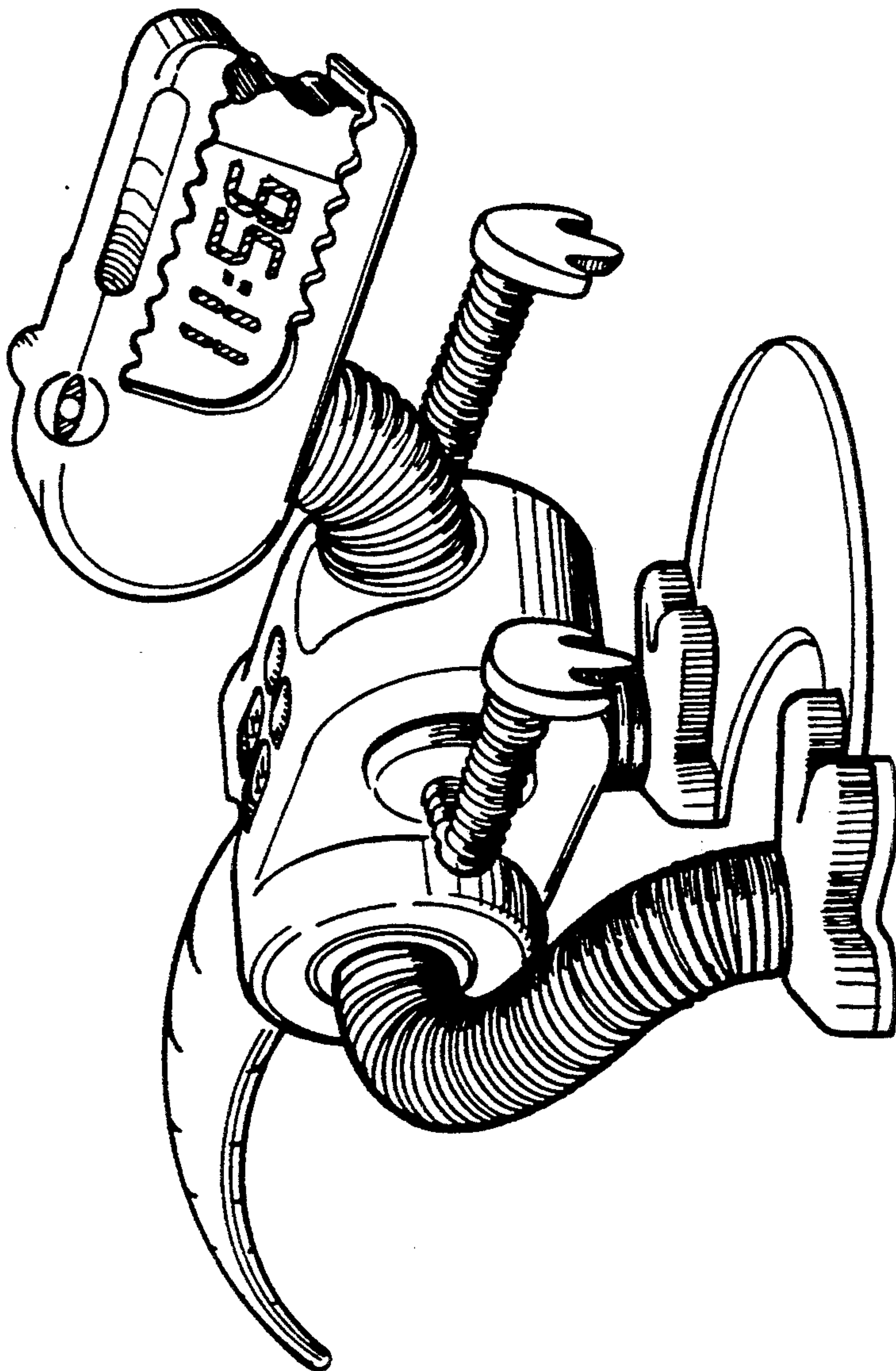
**Fig. 3**



*Fig. 4*



*Fig. 5*



**Fig. 6**