



US00D357626S

# United States Patent [19]

[11] Patent Number: **Des. 357,626**

Snow et al.

[45] Date of Patent: **\*\* Apr. 25, 1995**

[54] **PACKAGE FOR WINDSHIELD WIPER**

[75] Inventors: **Gary L. Snow, Rock Falls; Michael L. Getzendaner, Polo, both of Ill.**

[73] Assignee: **Stant Corporation, Dixon, Ill.**

[\*\*] Term: **14 Years**

[21] Appl. No.: **4,985**

[22] Filed: **Feb. 18, 1993**

[52] U.S. Cl. .... **D9/415**

[58] Field of Search ..... **D9/415, 418, 337, 416, D9/456; 206/461-471, 45.31, 45.34, 45.33, 44 R, 335, 443, 806; 53/420, 397, 449**

- 4,279,376 7/1981 Roccaforte et al. .
- 4,355,578 10/1982 Lavery .
- 4,378,903 4/1983 Sherwood .
- 4,739,353 4/1988 Heuer et al. .
- 4,842,141 6/1989 Segal .
- 4,854,450 8/1989 Fisher .
- 4,895,255 1/1990 Fisher .
- 4,962,849 10/1990 Anderson .
- 5,002,187 3/1991 Rysner et al. .
- 5,027,947 7/1991 Reighart .
- 5,038,944 8/1991 Sorenson et al. .

### FOREIGN PATENT DOCUMENTS

- 2729808 1/1979 Germany .
- 1384547 2/1975 United Kingdom .

### OTHER PUBLICATIONS

- Consumer Packaging, Apr. -1961, p. 57.
- Roberk All-Weather Wiper Blade Container, Epicor Industries, Inc. (1988).
- Tripledge Windshield Wiper Container, Lifetime Automotive Products (1991).
- Lexor Windshield Wiper Container, Pylon Manufacturing (date unknown).
- Anco Aero Vantage Wiper Container, Cooper Industries, (1991).

*Primary Examiner*—Prabhakar G. Deshmukh  
*Attorney, Agent, or Firm*—Allegretti & Witcoff, Ltd.

[57] **CLAIM**

The ornamental design for a package for windshield wiper, as shown and described.

### DESCRIPTION

FIG. 1 is a top plan view of a package for a windshield wiper showing our new design; FIG. 2 is a perspective view thereof; FIG. 3 is a right side elevational view thereof; and, FIG. 4 is a front elevational view thereof. The bottom is unornamented.

[56] **References Cited**

#### U.S. PATENT DOCUMENTS

- D. 92,775 7/1934 Sekine .
- D. 209,953 1/1968 Stehl et al. .... D9/415
- D. 216,251 12/1969 Offray, Jr. .... D9/415
- D. 218,087 7/1970 Arnone ..... D9/418
- D. 218,882 10/1970 Bourke ..... D9/425 X
- D. 242,326 11/1976 Thorman et al. .
- D. 267,544 1/1983 Neto et al. .
- D. 288,907 3/1987 Crawford .
- D. 289,014 3/1987 Crawford .
- D. 295,832 5/1988 Shelton .
- D. 316,673 5/1991 Rysner et al. .
- D. 327,013 6/1992 Reighart .
- 2,026,626 1/1936 Gilfillan .
- 2,796,985 6/1957 Gorton .
- 3,184,319 5/1965 Fritsche ..... 206/462 X
- 3,217,867 11/1965 Harris .
- 3,327,843 6/1967 O'Meara et al. .
- 3,529,718 9/1970 Zaremski .
- 3,910,410 10/1975 Shaw ..... 206/471 X
- 4,106,615 8/1978 Hiroshi .
- 4,180,165 12/1979 Kuchenbecker .
- 4,184,597 1/1980 Gavin .
- 4,239,104 12/1980 Roccaforte et al. .

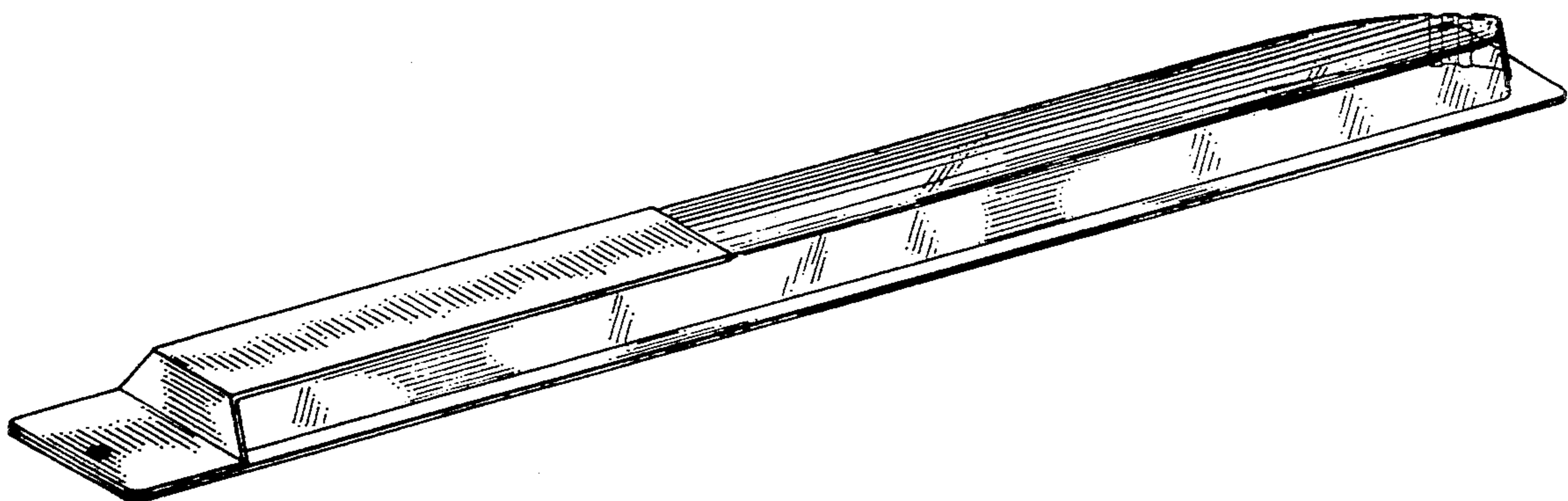


Fig. 1

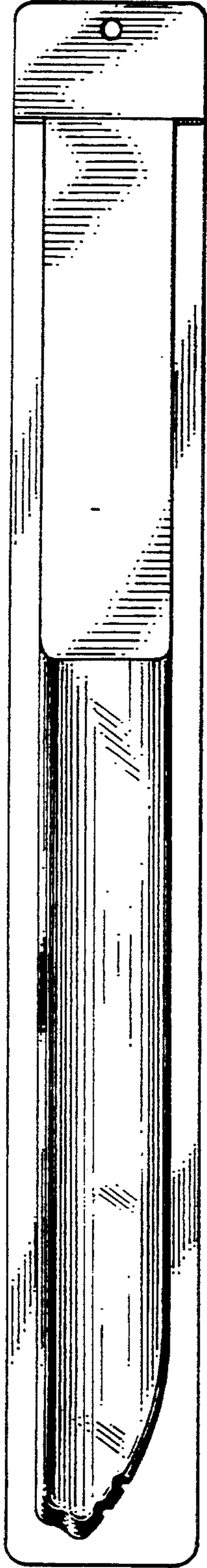


Fig. 2

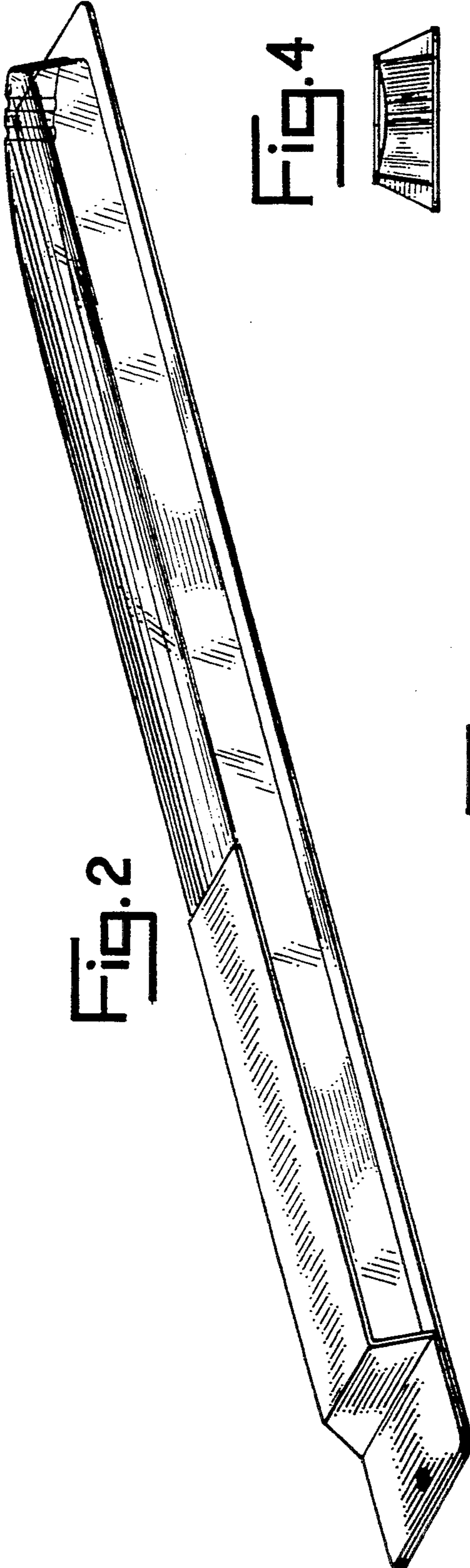


Fig. 4



Fig. 3

