



US00D357624S

United States Patent [19]

[11] Patent Number: **Des. 357,624**

Ferdman

[45] Date of Patent: **** Apr. 25, 1995**

[54] **CURTAIN HANGER**

[76] Inventor: **Morris Ferdman**, 590 Steeprock Drive, Downsview, Ontario, Canada, M3J 2X1

[**] Term: **14 Years**

[21] Appl. No.: **8,299**

[22] Filed: **May 13, 1993**

[30] **Foreign Application Priority Data**

Nov. 13, 1992 [CA] Canada 1311926

[52] U.S. Cl. **D8/368**

[58] Field of Search **D8/368-369;**
160/348-350; 248/302-303

[56] **References Cited**

U.S. PATENT DOCUMENTS

- D. 138,803 4/1944 Herman .
- D. 166,108 7/1949 Vance .
- D. 175,710 10/1955 Brüninghaus .
- D. 198,683 7/1964 Liddell .
- D. 277,055 1/1985 Buchanan D8/363 X
- D. 280,596 9/1985 Keeler D8/370 X
- D. 281,950 12/1985 Sachs D8/370
- D. 286,261 10/1986 Smederöd D8/354
- 409,760 8/1889 Shinn .
- 464,499 12/1891 Grenelle .
- 678,155 7/1901 Bailey .
- 720,430 2/1903 Hoffman .
- 839,729 12/1906 Chance .
- 851,678 4/1907 Levy .
- 932,778 8/1909 Gould .
- 1,146,642 7/1915 Miser .
- 1,171,198 2/1916 Hellberg .
- 1,732,162 10/1929 Griner .
- 2,244,129 6/1941 Stratton 160/349.2 X

- 2,329,446 9/1943 Whitehead et al. 160/349.2
- 2,337,950 12/1943 Werner et al. 160/349.2 X
- 2,431,934 12/1947 Higgins 160/349
- 2,470,233 5/1949 Boye 160/349.2
- 2,596,835 5/1952 Bengé 43/24
- 2,692,018 10/1954 Palm 160/349
- 2,814,861 12/1957 O'Connell 248/339 X
- 3,108,723 10/1963 Hickey 223/66
- 3,532,255 11/1950 Davis 248/215
- 3,740,013 5/1973 Bentley 248/224
- 4,958,646 9/1990 Hannerstag 160/348
- 5,141,045 8/1992 Williams 160/349.1

FOREIGN PATENT DOCUMENTS

- 68244 3/1991 Canada .
- 68245 3/1991 Canada .
- 1196698 11/1959 France 248/304
- 83 37 252.0 4/1984 Germany .
- 60739 2/1948 Netherlands 248/304.2
- 20736 of 1905 United Kingdom 160/349.2
- 26399 of 1913 United Kingdom 160/349.2
- 962775 7/1941 United Kingdom 160/348
- 2247827 3/1992 United Kingdom 160/349.2

OTHER PUBLICATIONS

Holiday Gifts, 1974, p. 87, hanging bracket, circled at bottom left of page.

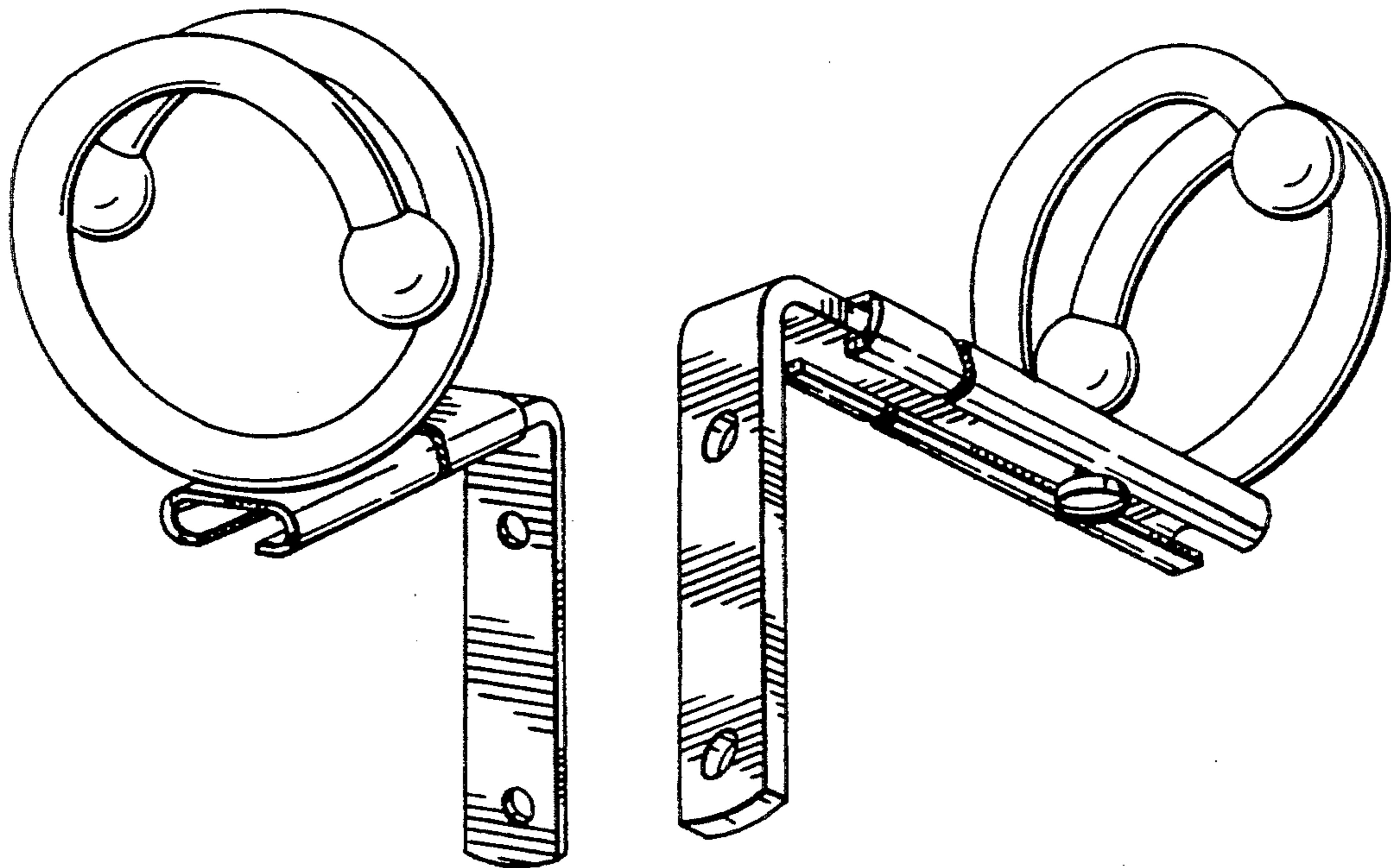
Primary Examiner—Wallace R. Burke
Assistant Examiner—Holly Baynham
Attorney, Agent, or Firm—Bereskin & Parr

[57] **CLAIM**

The ornamental design for a curtain hanger, as shown.

DESCRIPTION

FIG. 1 is a front, right perspective view of a curtain hanger showing my new design; and, FIG. 2 is a rear perspective view thereof.



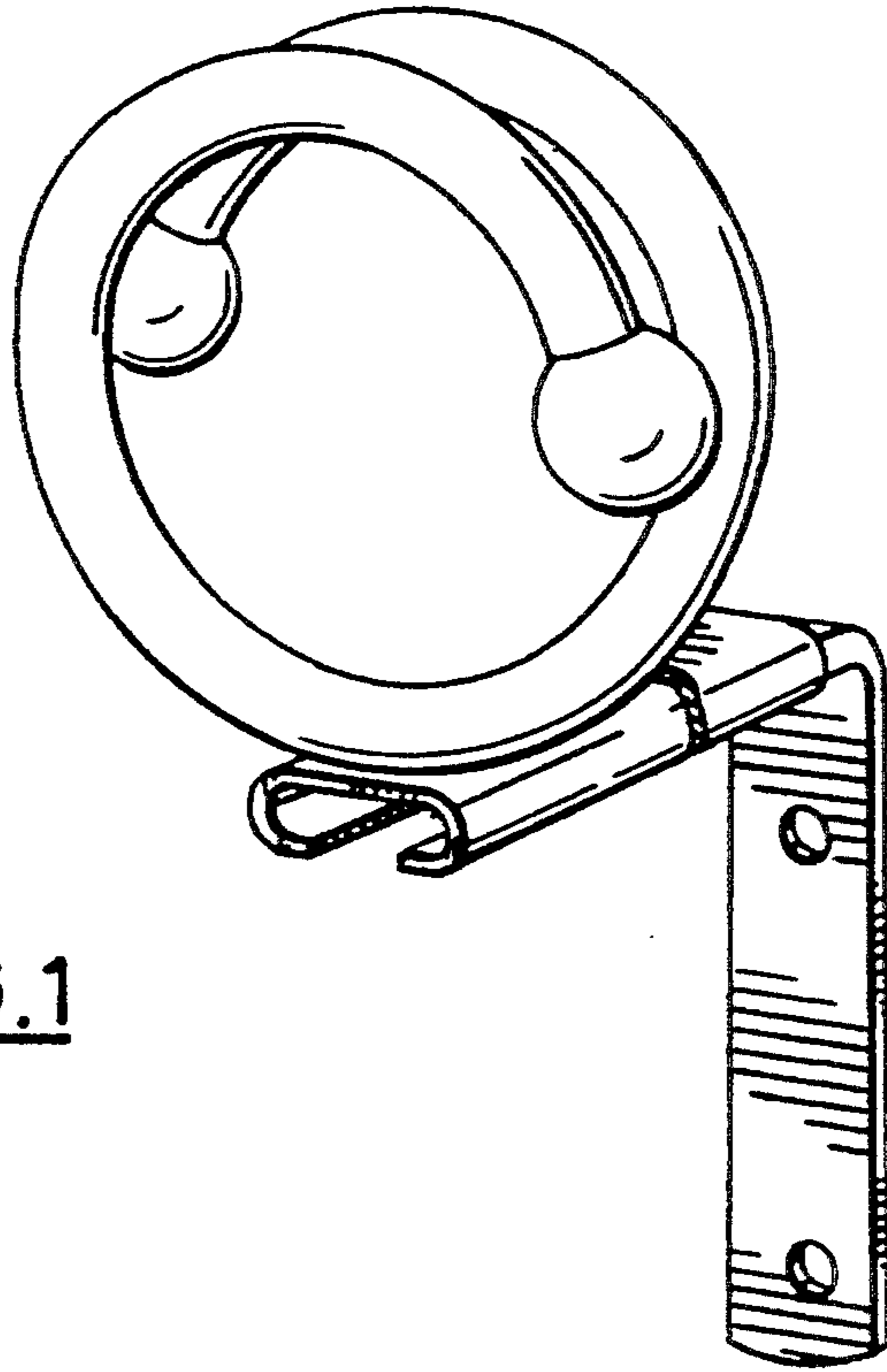


FIG. 1

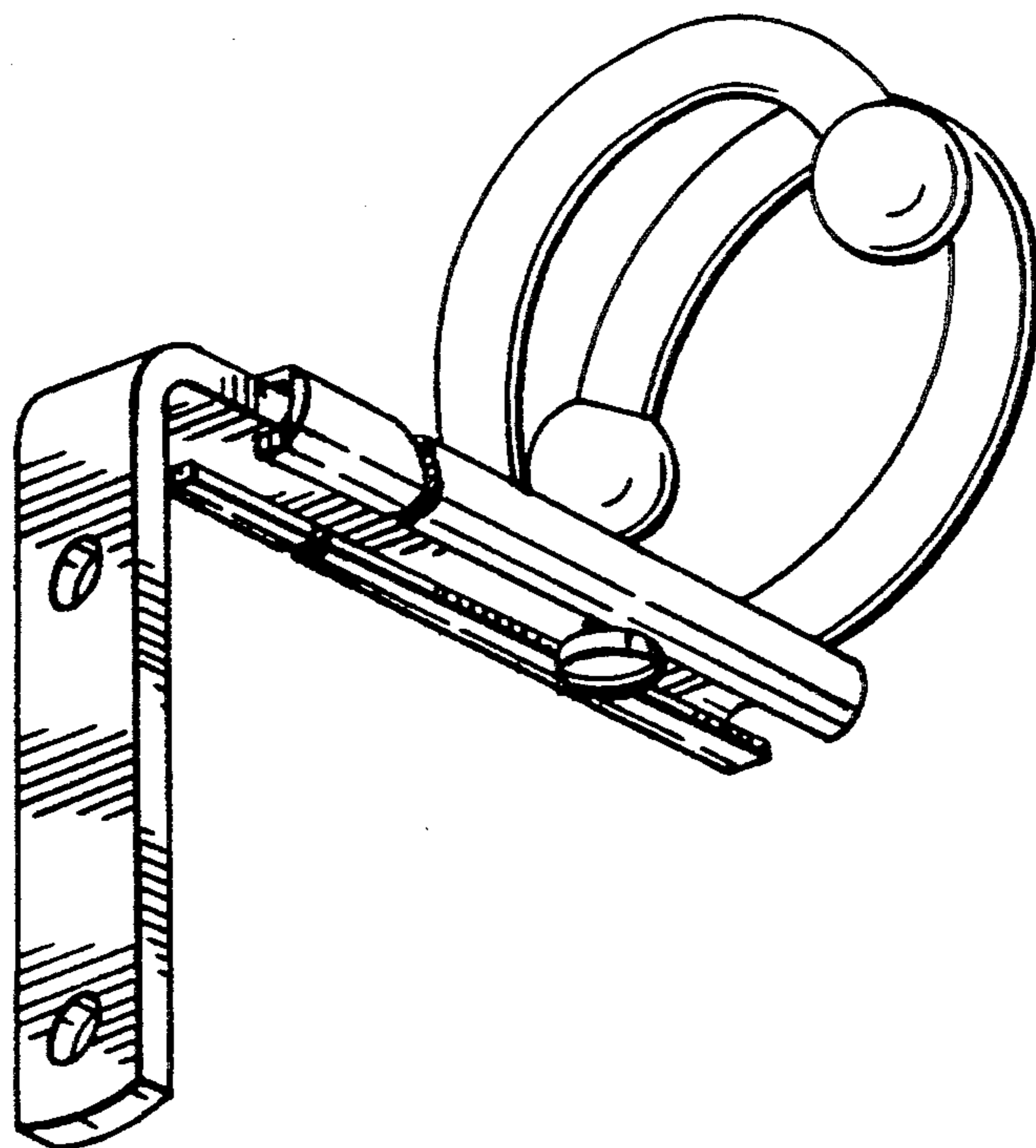


FIG. 2