



US00D357623S

**United States Patent** [19]

[11] **Patent Number: Des. 357,623**

**Davis**

[45] **Date of Patent: \*\* Apr. 25, 1995**

[54] **CORNER CABLE BRACKET**

[76] Inventor: **Terry M. Davis**, 2604 E. Pine St., Orlando, Fla. 32822

[\*\*] Term: **14 Years**

[21] Appl. No.: **17,993**

[22] Filed: **Jan. 27, 1994**

[52] U.S. Cl. .... **D8/354**

[58] Field of Search ..... D8/349, 354; 248/220.1, 248/300, 215, 309.1, 497, 495; D25/102

[56] **References Cited**

**U.S. PATENT DOCUMENTS**

- D. 257,219 10/1980 Cook ..... D8/354
- D. 342,662 12/1993 Lavin, Sr. .... D8/354

**OTHER PUBLICATIONS**

Grammes Catalog, 1941, p. 30, desk pad corner, circled at top of page.

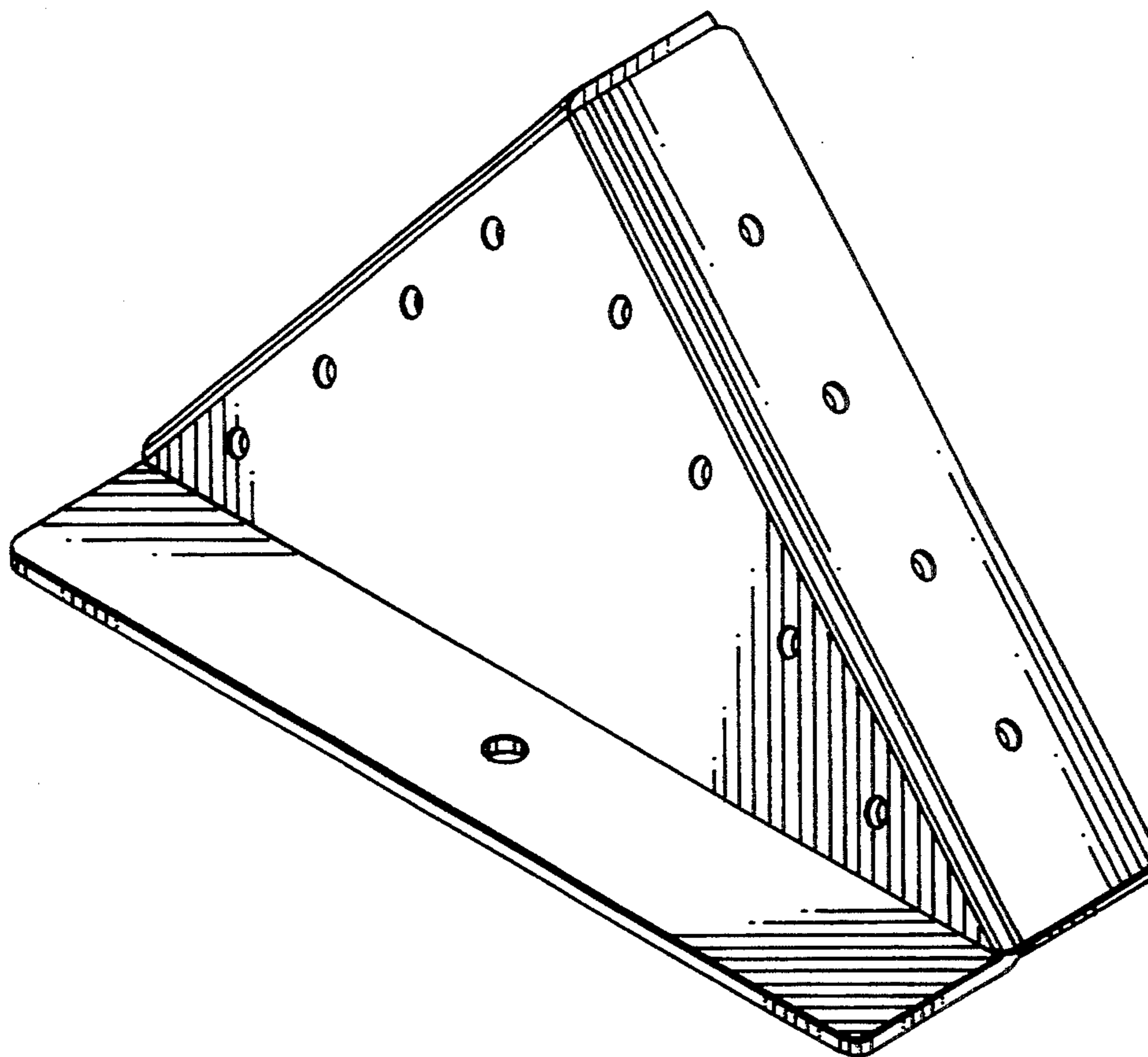
*Primary Examiner*—James M. Gandy  
*Assistant Examiner*—Holly Baynham  
*Attorney, Agent, or Firm*—William M. Hobby, III

[57] **CLAIM**

The ornamental design for a corner cable bracket, as shown.

**DESCRIPTION**

FIG. 1 is a front perspective view of my new corner cable bracket;  
FIG. 2 is a right side elevation;  
FIG. 3 is a front elevation;  
FIG. 4 is a left side elevation;  
FIG. 5 is a bottom plan view;  
FIG. 6 is a rear elevation; and,  
FIG. 7 is a top plan view.



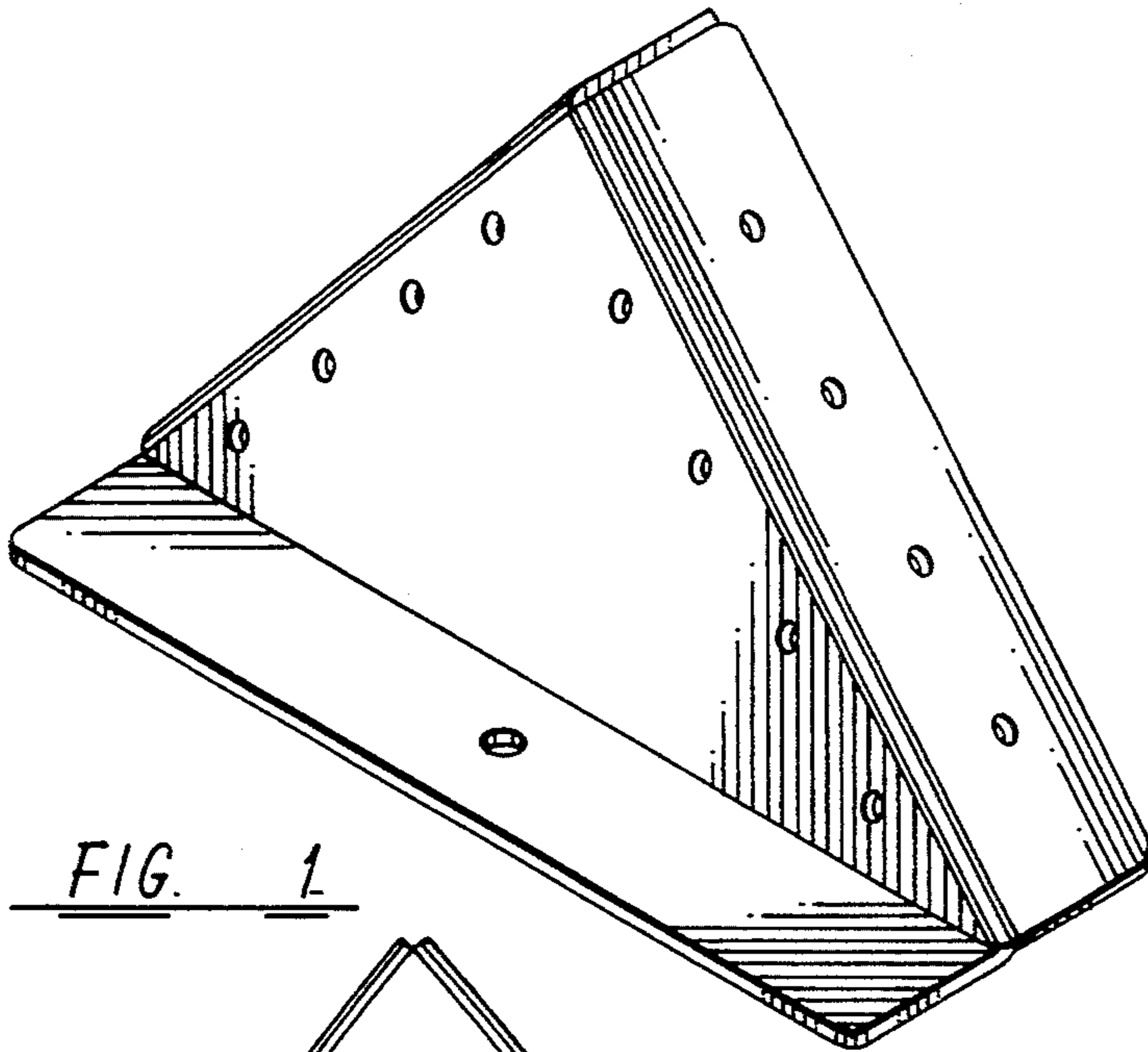


FIG. 1

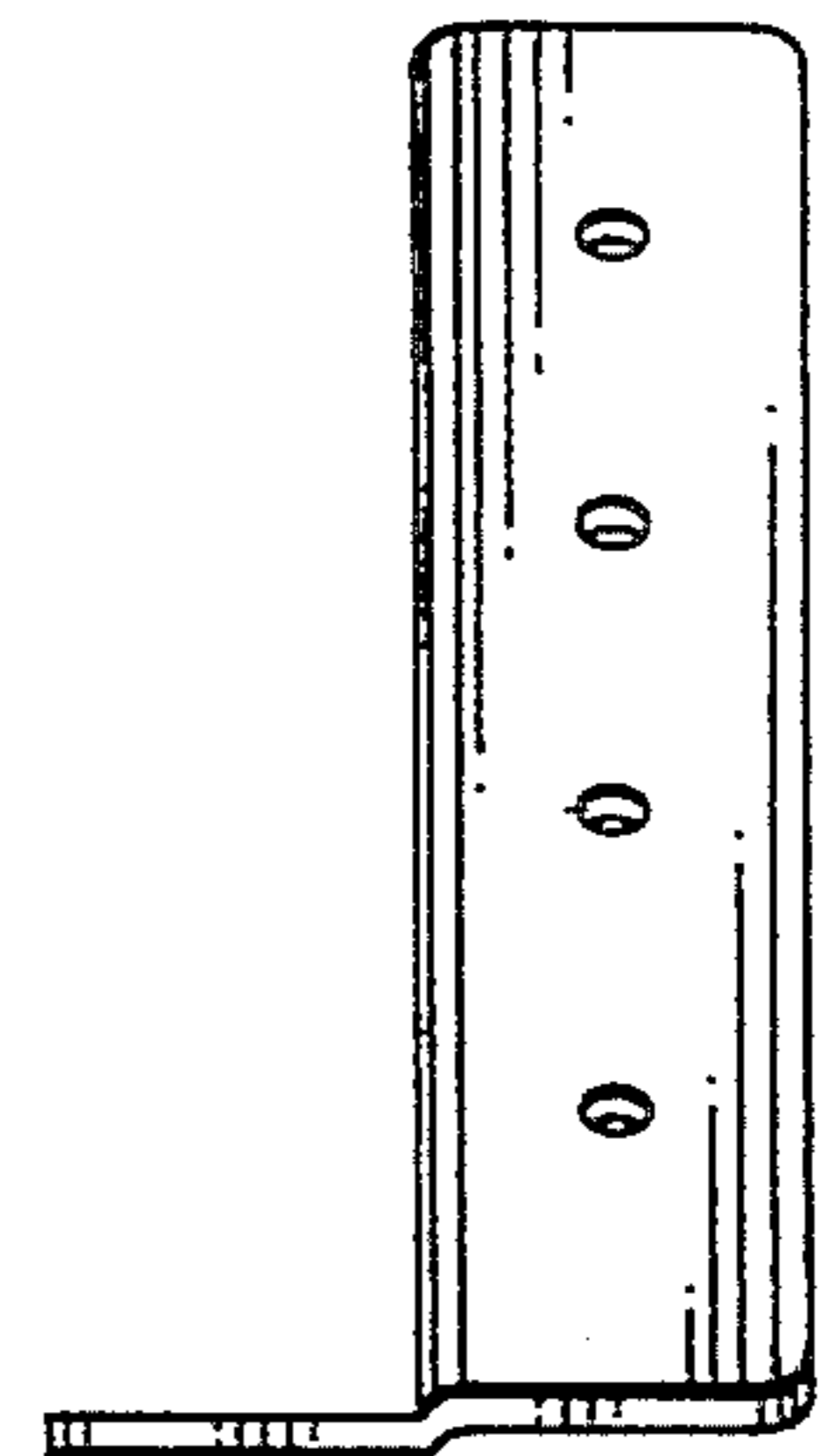


FIG. 2

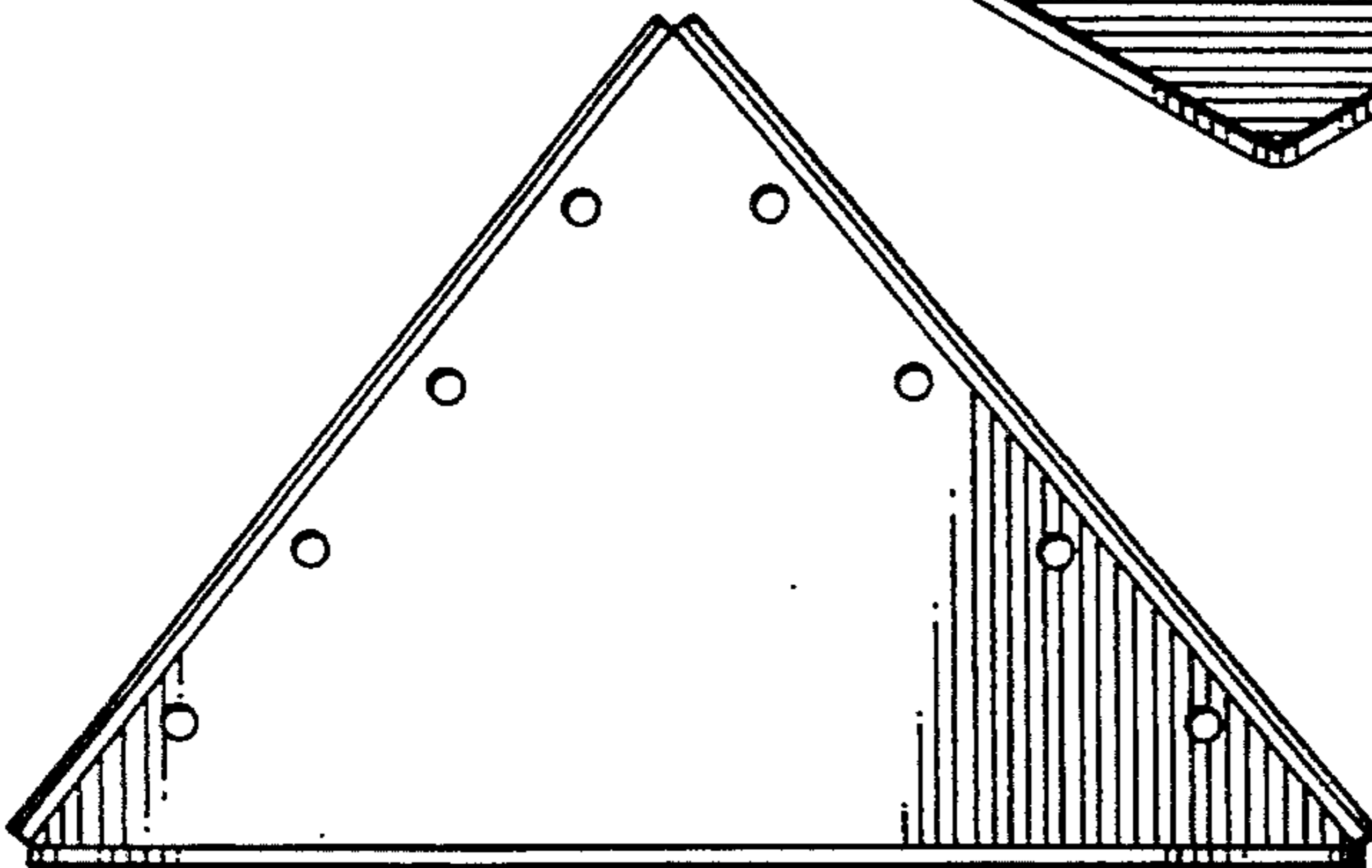


FIG. 3

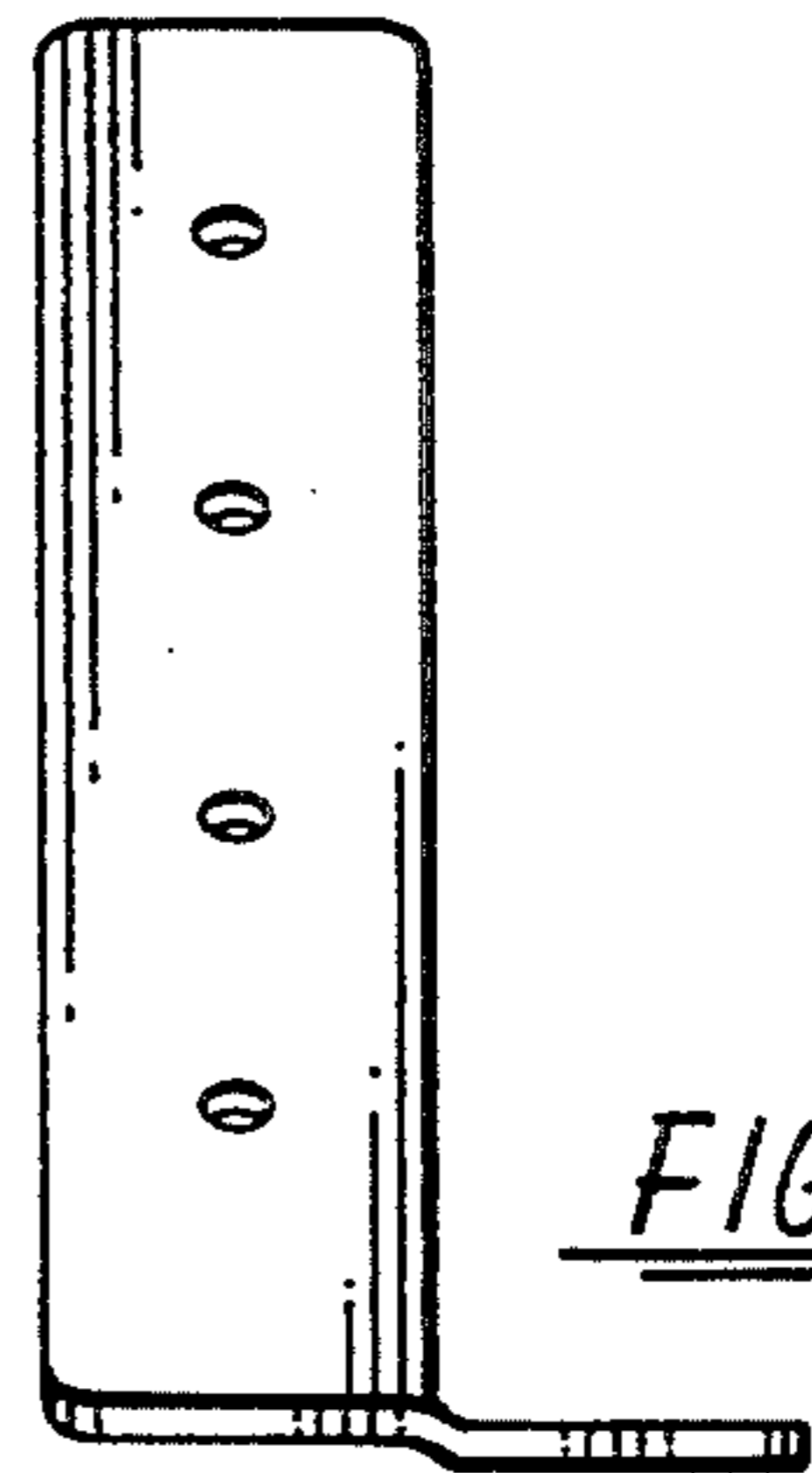


FIG. 4

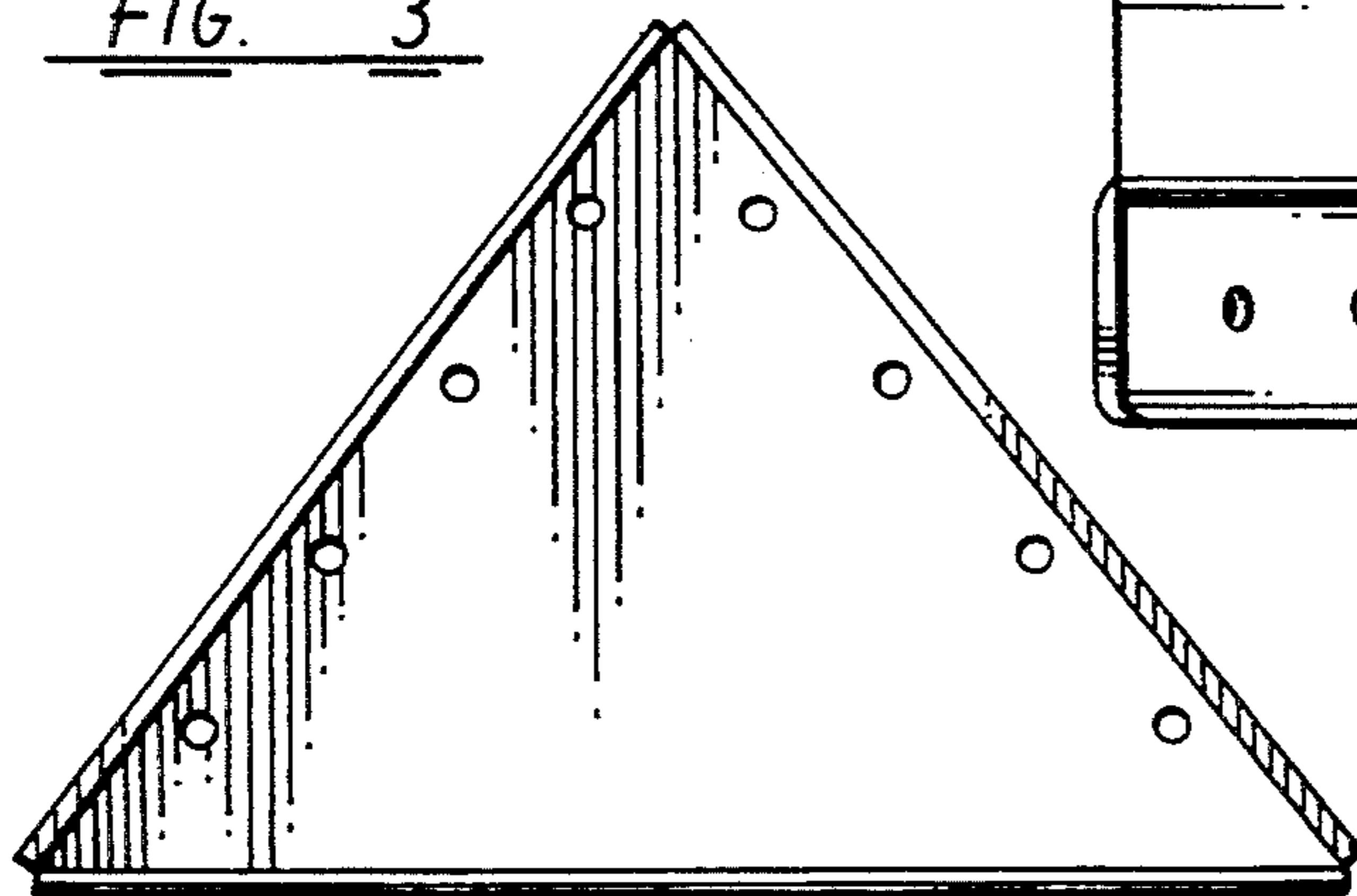


FIG. 6

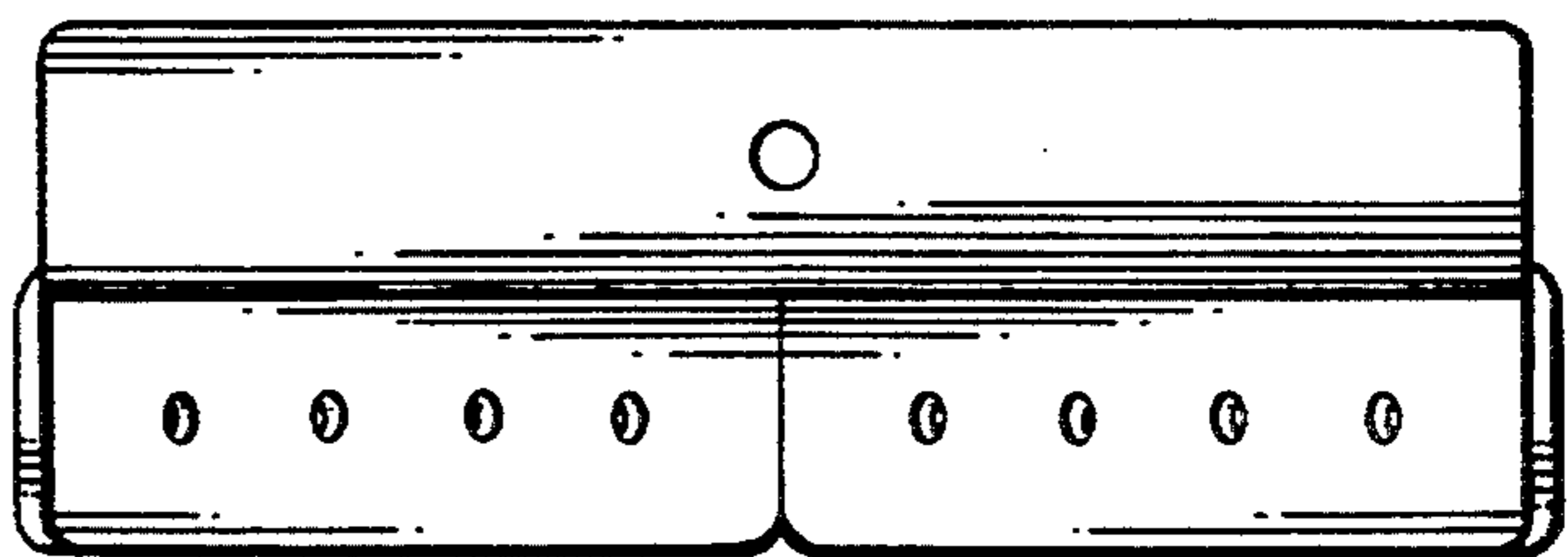


FIG. 5

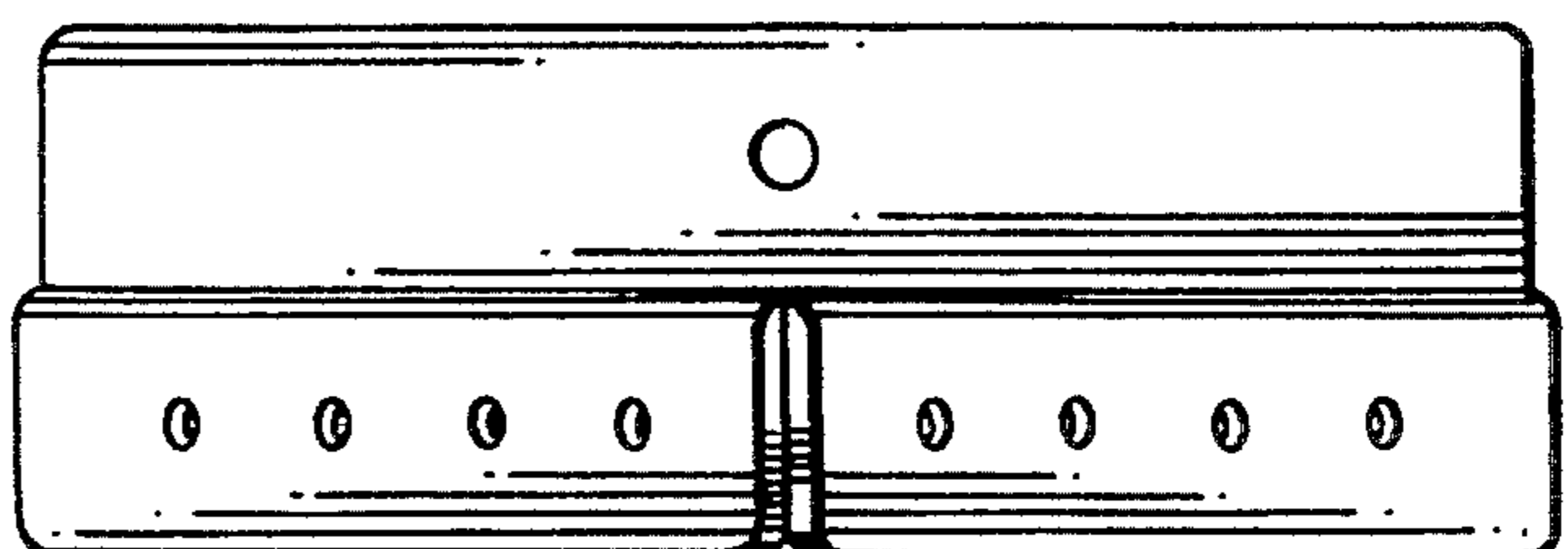


FIG. 7