



US00D357616S

# United States Patent [19]

[11] Patent Number: **Des. 357,616**

Hintze

[45] Date of Patent: **\*\* Apr. 25, 1995**

[54] **DEFLECTOR FOR STRING TYPE GRASS AND WEED CUTTER**

*Primary Examiner*—James M. Gandy  
*Assistant Examiner*—Holly Baynham  
*Attorney, Agent, or Firm*—Lothrop & West

[76] Inventor: **Lawrence H. Hintze**, 12082 Kimberly Rd., Marysville, Calif. 95901

[57] **CLAIM**

[\*\*] Term: **14 Years**

The ornamental design for a deflector for string type grass and weed cutter, as shown and described.

[21] Appl. No.: **26,259**

**DESCRIPTION**

[22] Filed: **Jul. 25, 1994**

[52] U.S. Cl. .... **D8/8**

[58] Field of Search ..... **D8/8; 30/276; 56/12.7, 56/12.1; 30/284, 286**

FIG. 1 is a right rear perspective view of a deflector for string type grass and weed cutter, showing my new design;

[56] **References Cited**

**U.S. PATENT DOCUMENTS**

4,630,371	12/1986	Graham	56/12.7 X
4,864,728	12/1989	Kloft et al.	56/12.7 X
5,029,435	7/1991	Buchanan	56/12.1

FIG. 2 is a top plan view thereof;

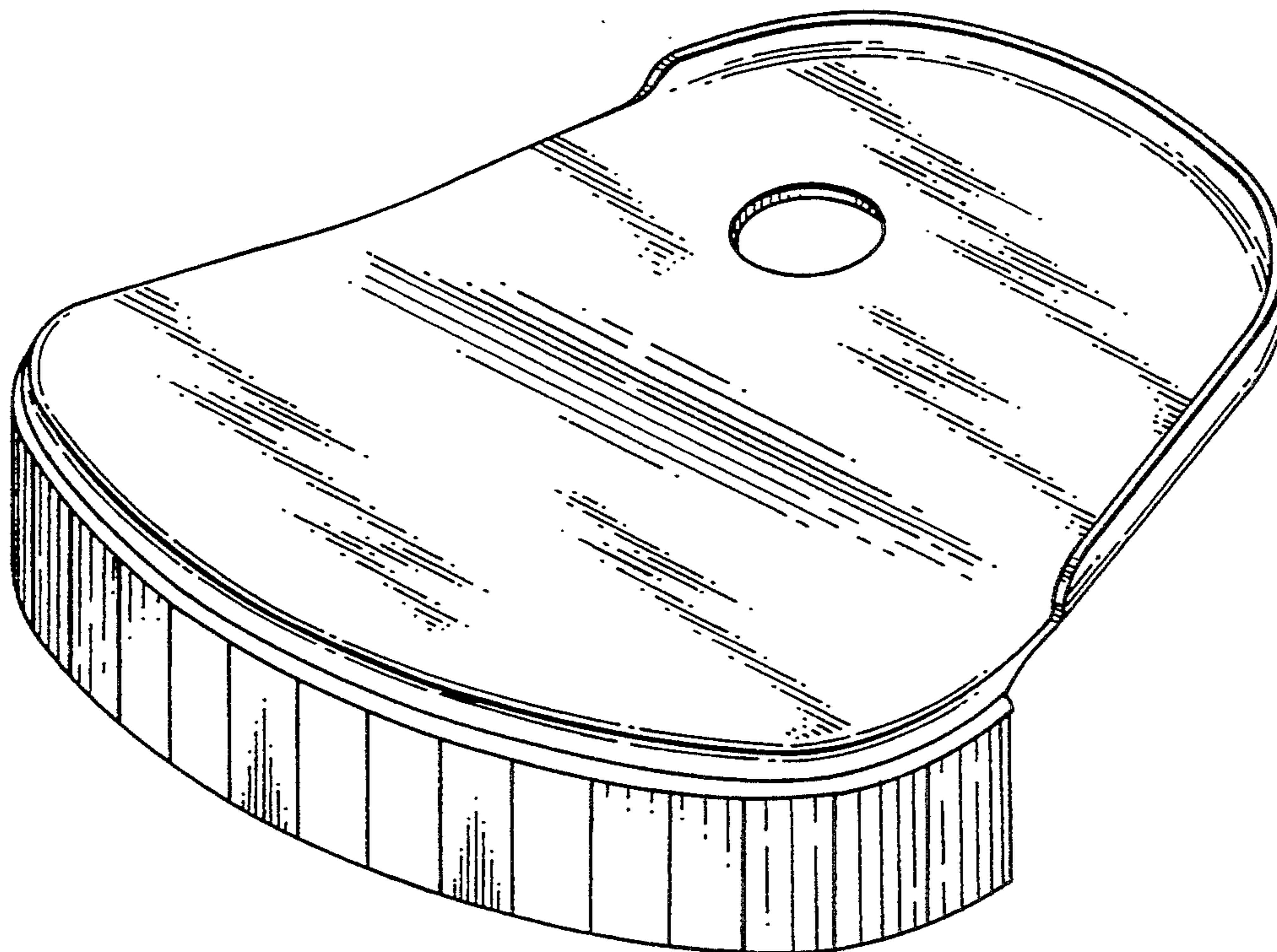
FIG. 3 is a bottom plan view thereof;

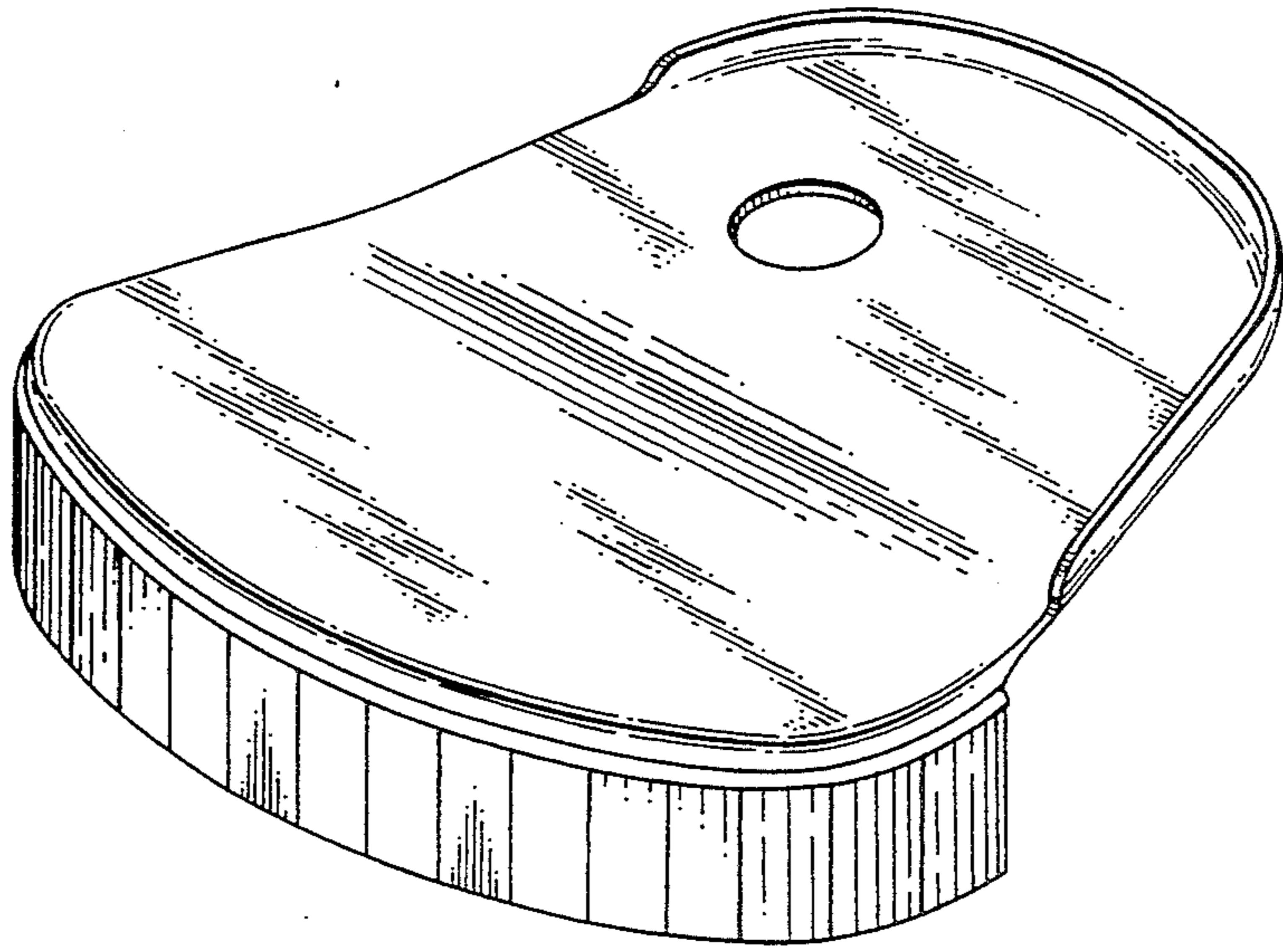
FIG. 4 is a right side elevational view thereof;

FIG. 5 is a left side elevational view thereof;

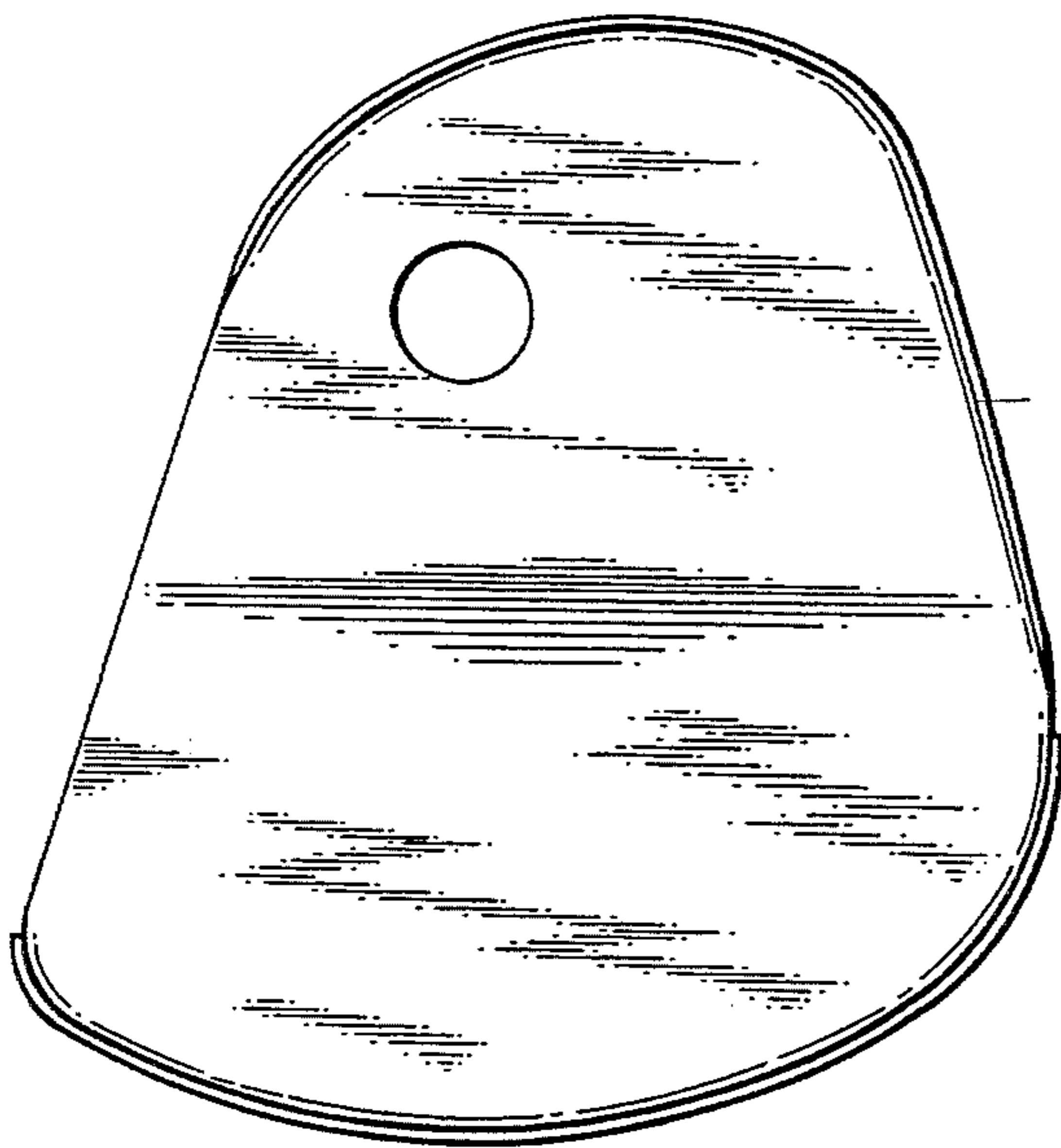
FIG. 6 is a front end elevational view thereof; and,

FIG. 7 is a rear end elevational view thereof.

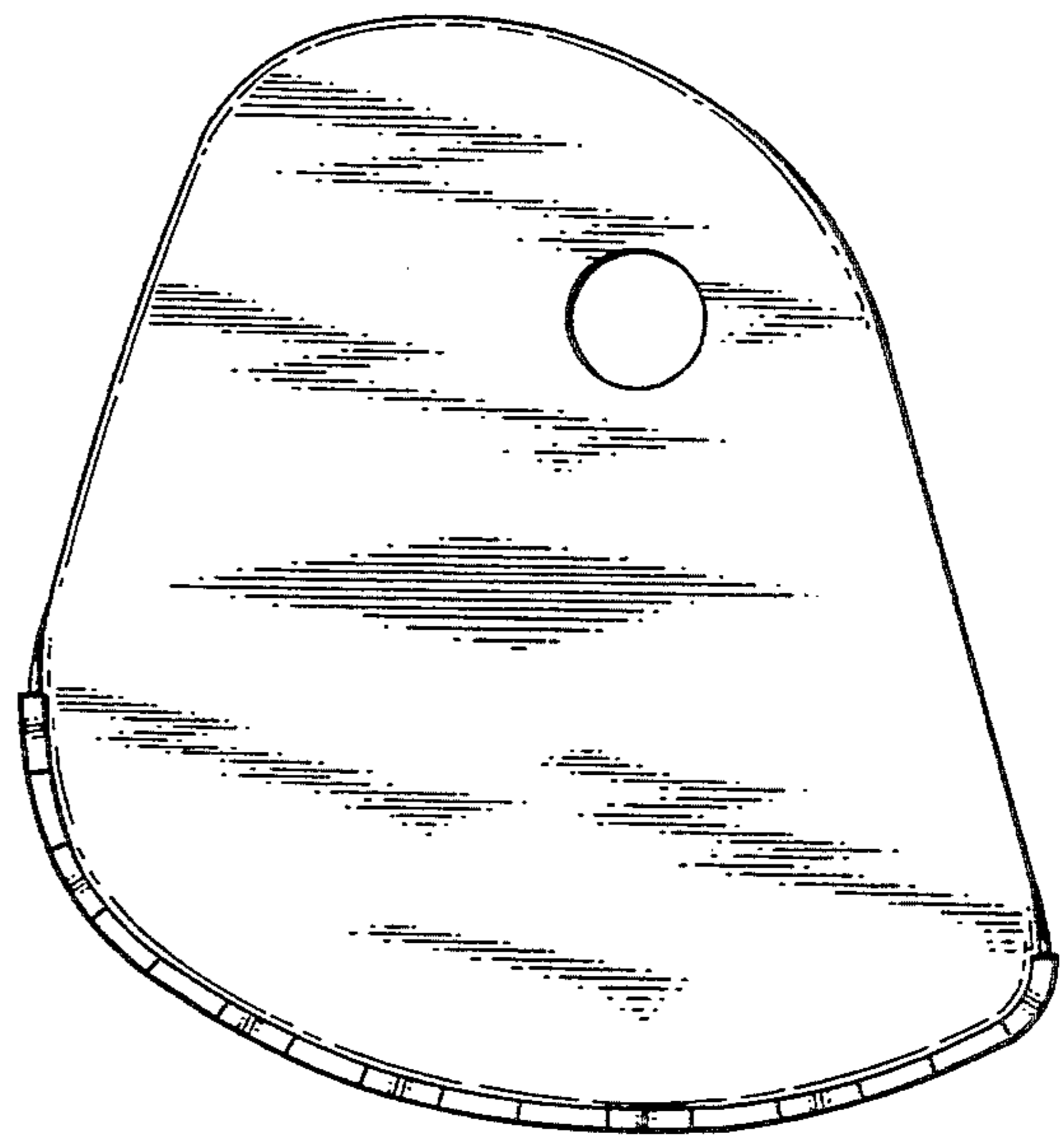




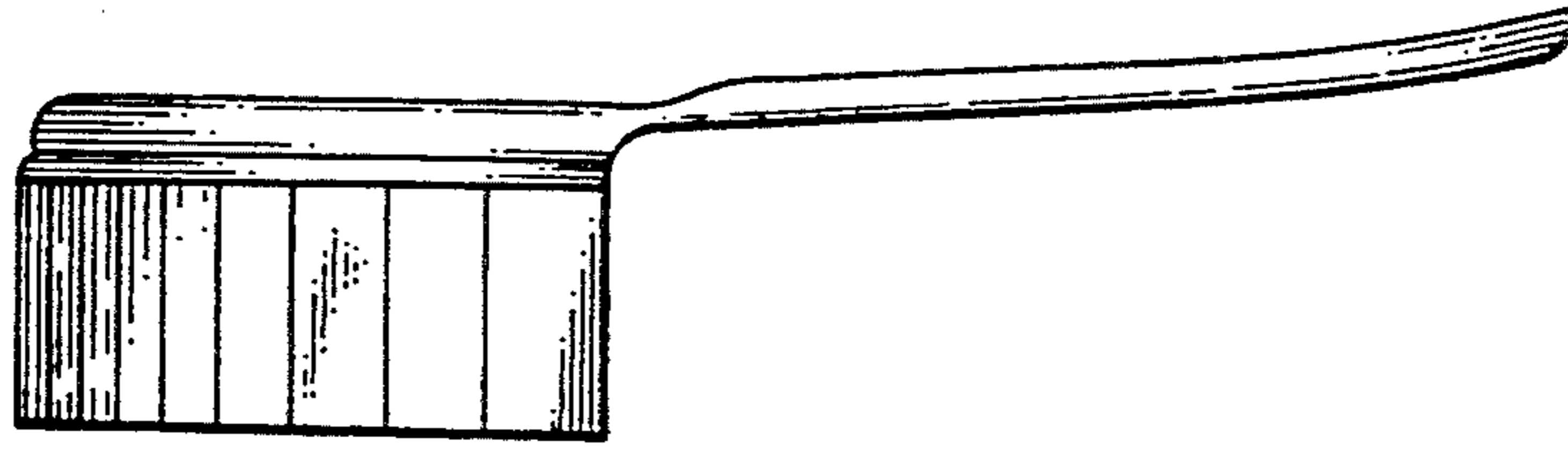
**FIG 1.**



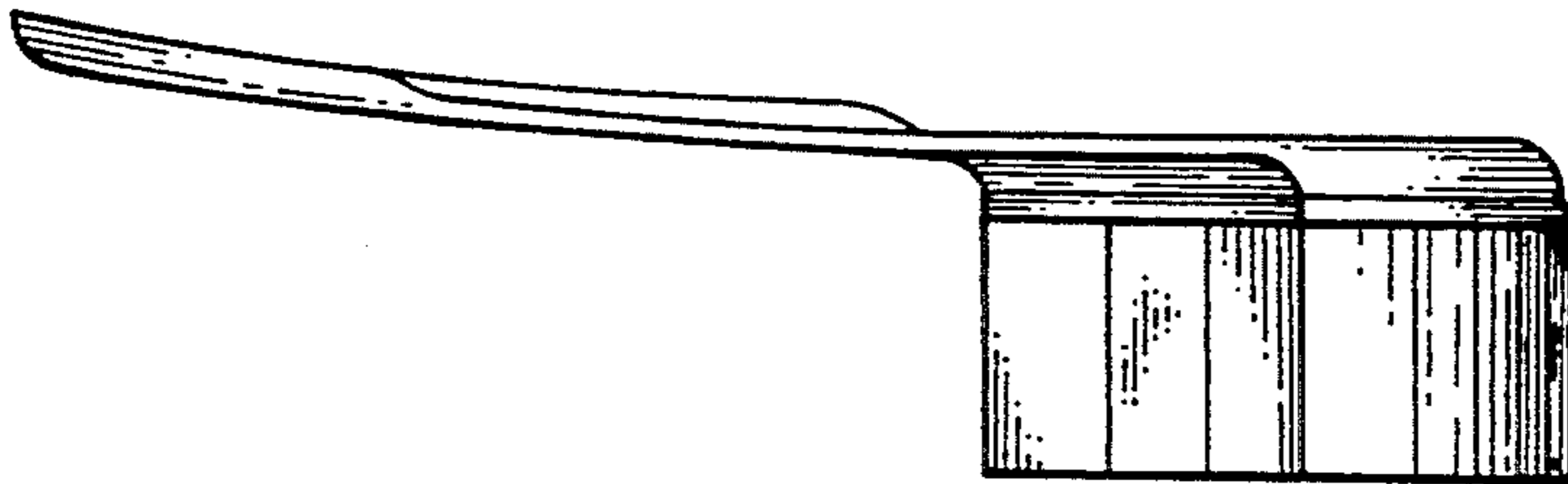
**FIG 2.**



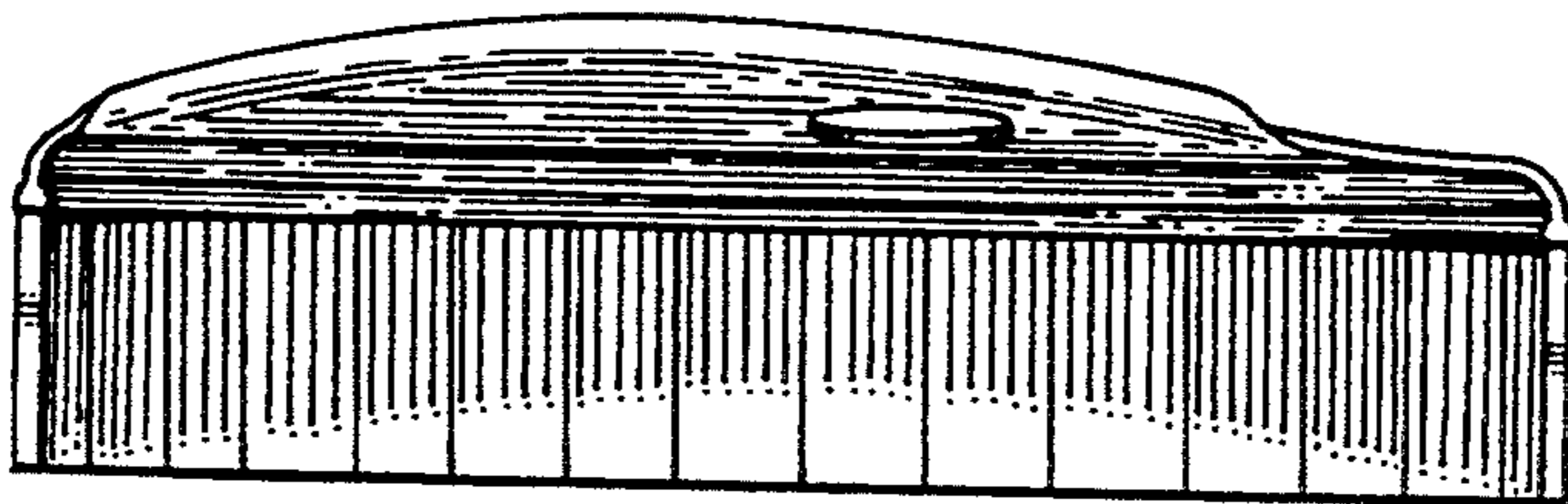
**FIG 3.**



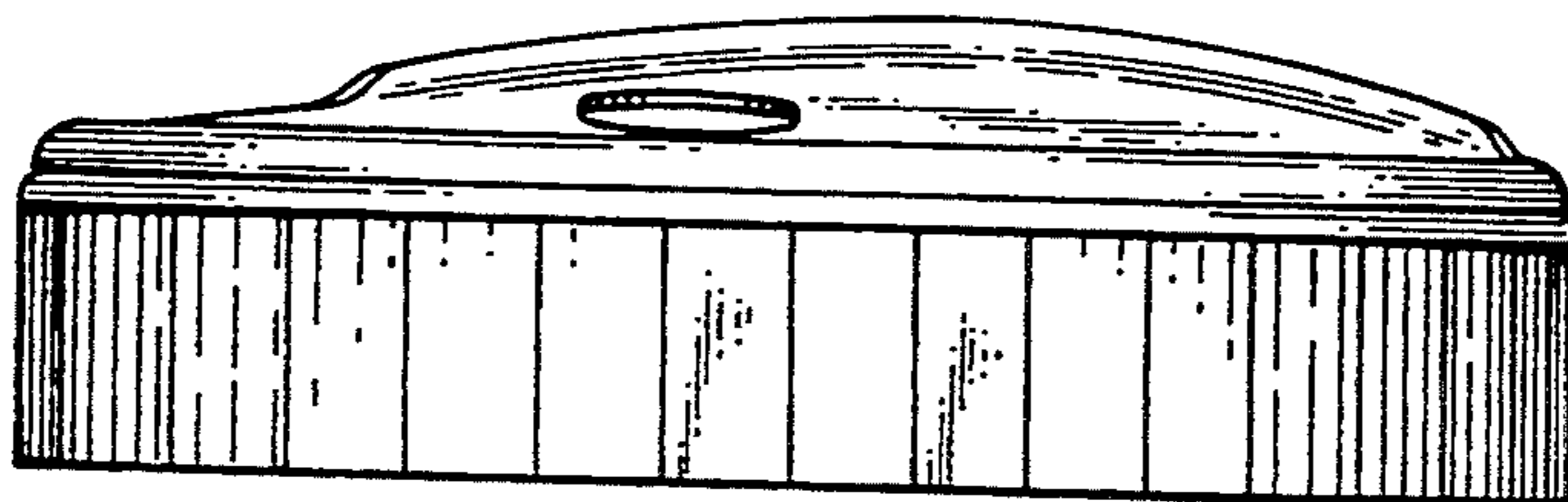
**FIG 4.**



**FIG 5.**



**FIG 6.**



**FIG 7.**