



US00D357613S

United States Patent [19]
Schultz

[11] **Patent Number: Des. 357,613**
[45] **Date of Patent: ** Apr. 25, 1995**

[54] **SEAT MOUNTED DRINK HOLDER**
[76] Inventor: **Jeffrey T. Schultz**, 6121 Becklin Pl.,
Riverview, Fla. 33569
[**] Term: **14 Years**
[21] Appl. No.: **16,359**
[22] Filed: **Dec. 15, 1993**
[52] U.S. Cl. **D7/620**
[58] Field of Search **D7/619-625;**
248/231.7, 311.2, 313, 316.1, 318; 220/737;
211/74, 75

3,269,683 8/1966 Shinaver D7/620 X
4,131,259 12/1978 Franks 211/75 X
5,190,257 3/1993 Gradei et al. 248/231.7

Primary Examiner—Terry A. Wallace
Attorney, Agent, or Firm—H. Jay Spiegel

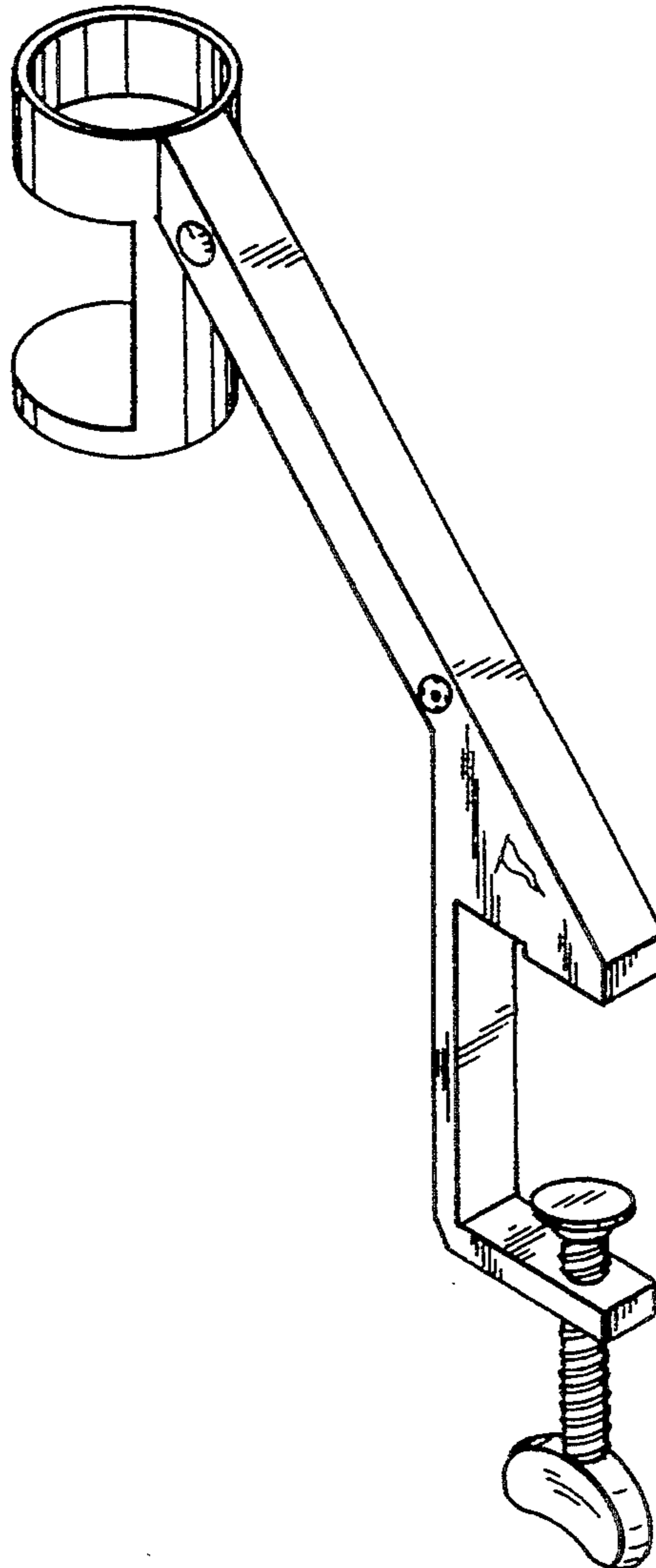
[57] **CLAIM**

The ornamental design for a seat mounted drink holder,
as shown and described.

DESCRIPTION

FIG. 1 is a top, front, right side perspective view of a
seat mounted drink holder showing my new design;
FIG. 2 is a right side elevational view thereof, the cup
and seat arm are shown in broken lines for illustrative
purposes only and form no part of the claimed design;
and,
FIG. 3 is a left side elevational view thereof.

[56] **References Cited**
U.S. PATENT DOCUMENTS
D. 203,055 11/1965 Robinson D7/620
D. 244,302 5/1977 Bradley D7/620 X



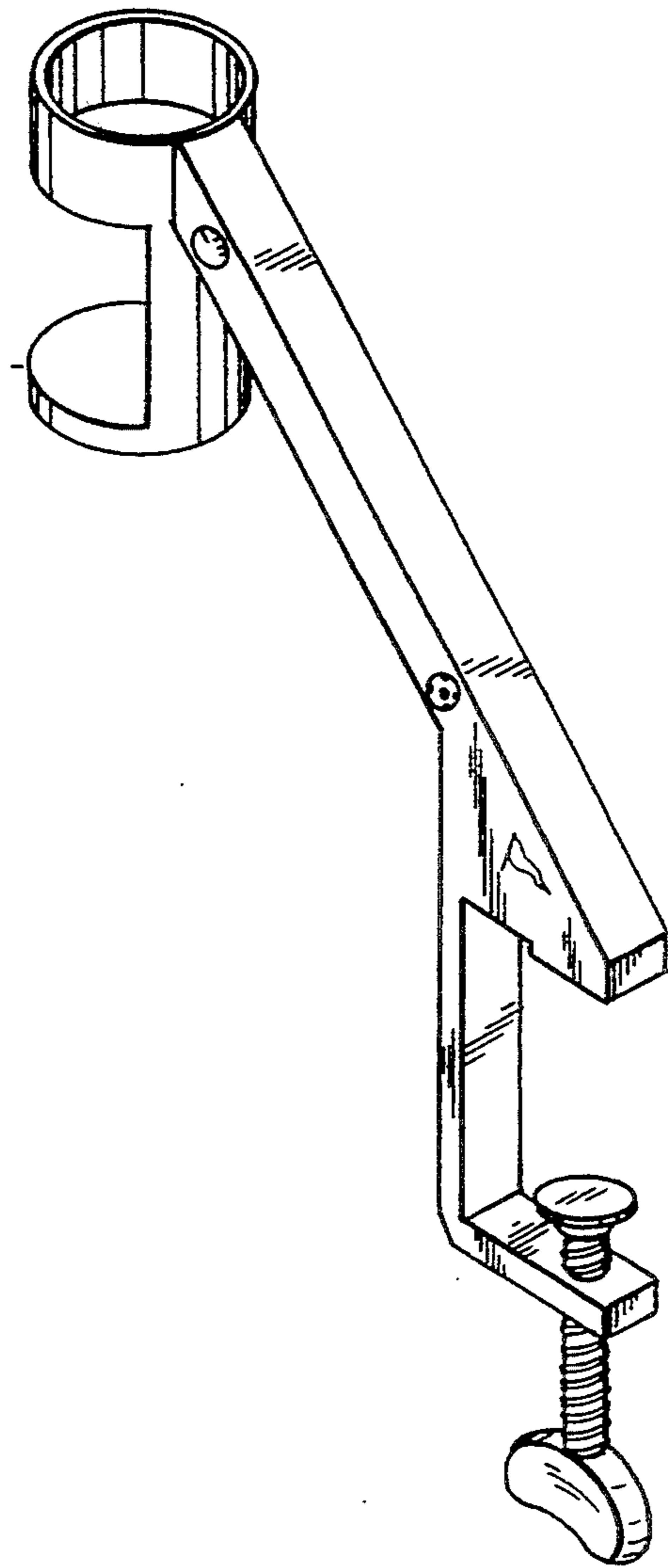


FIG. 1

