



US00D357612S

# United States Patent [19]

[11] Patent Number: **Des. 357,612**

Kyle

[45] Date of Patent: **\*\* Apr. 25, 1995**

[54] **PORTABLE SEALED ENVIRONMENT SNACK DISPENSER**

*Attorney, Agent, or Firm—David L. Baker; Rhodes & Ascolillo*

[76] Inventor: **Roy L. Kyle**, 4300 Landsdowne North, Owensboro, Ky. 42303

[57] **CLAIM**

The ornamental design for a portable sealed environment snack dispenser, as shown and described.

[\*\*] Term: **14 Years**

**DESCRIPTION**

[21] Appl. No.: **15,975**

FIG. 1 is a perspective view of a portable sealed environment snack dispenser showing my new design therefor. The broken line drawings representing snacks in the jars and lettering depicting the word "kyles" in any views in which they appear are for purposes of illustration only and form no part of my design;

[22] Filed: **Dec. 3, 1993**

[52] U.S. Cl. .... **D7/589**

[58] Field of Search ..... **D6/515, 517; D7/589; D20/1, 4; 221/263, 266; 222/368, 352, 350**

FIG. 2 is a right side elevational view; FIG. 3 is a front elevational view; FIG. 4 is a left side elevational view; FIG. 5 is a top plan view; FIG. 6 is a rear elevational view; and, FIG. 7 is a bottom plan view.

[56] **References Cited**

**U.S. PATENT DOCUMENTS**

- D. 286,362 10/1986 Lair ..... D7/589
- D. 297,898 10/1988 Hung ..... D7/589
- 2,903,024 9/1959 Lohse ..... D7/589 X

*Primary Examiner—Terry A. Wallace*

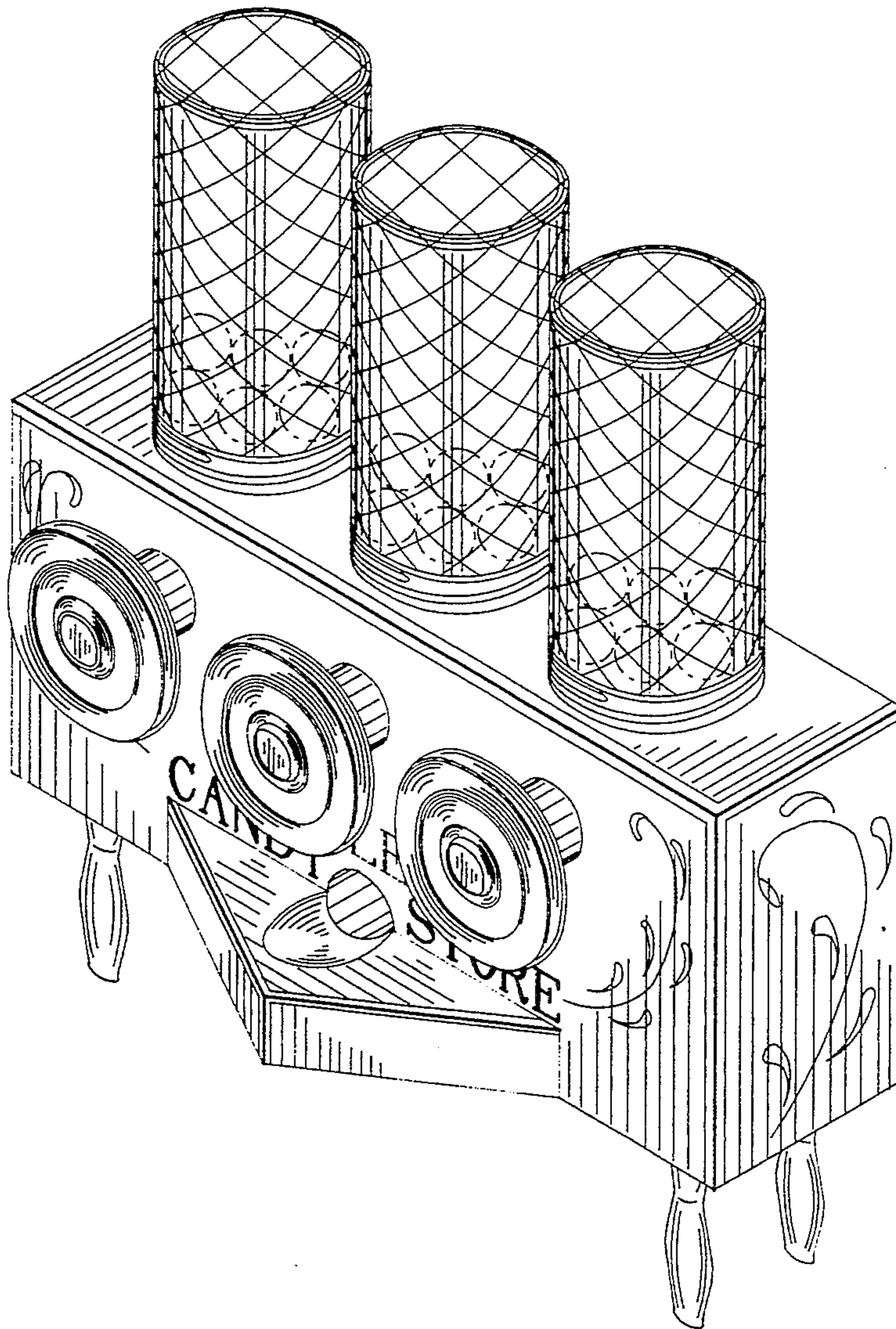


FIG. 1

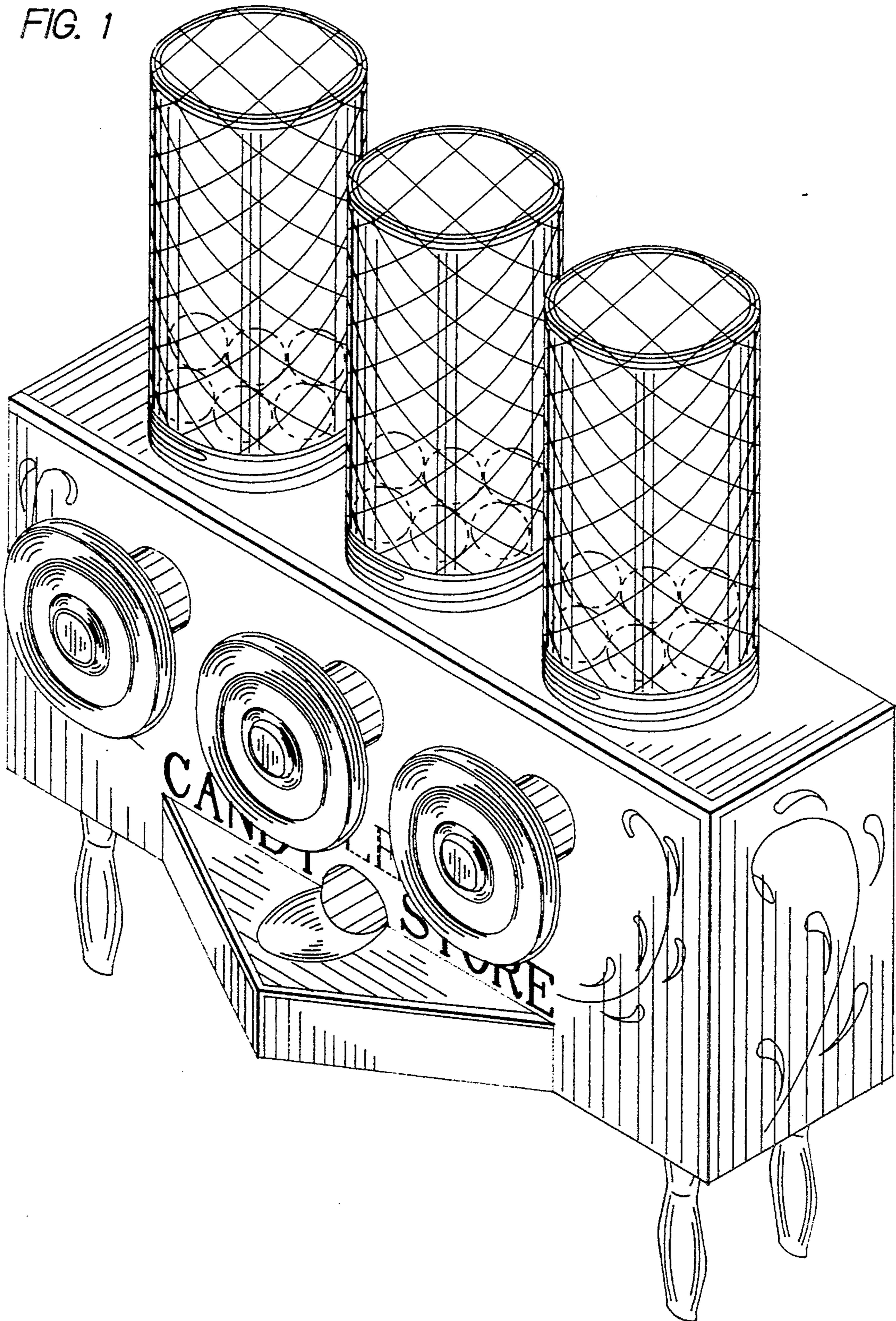


FIG. 4

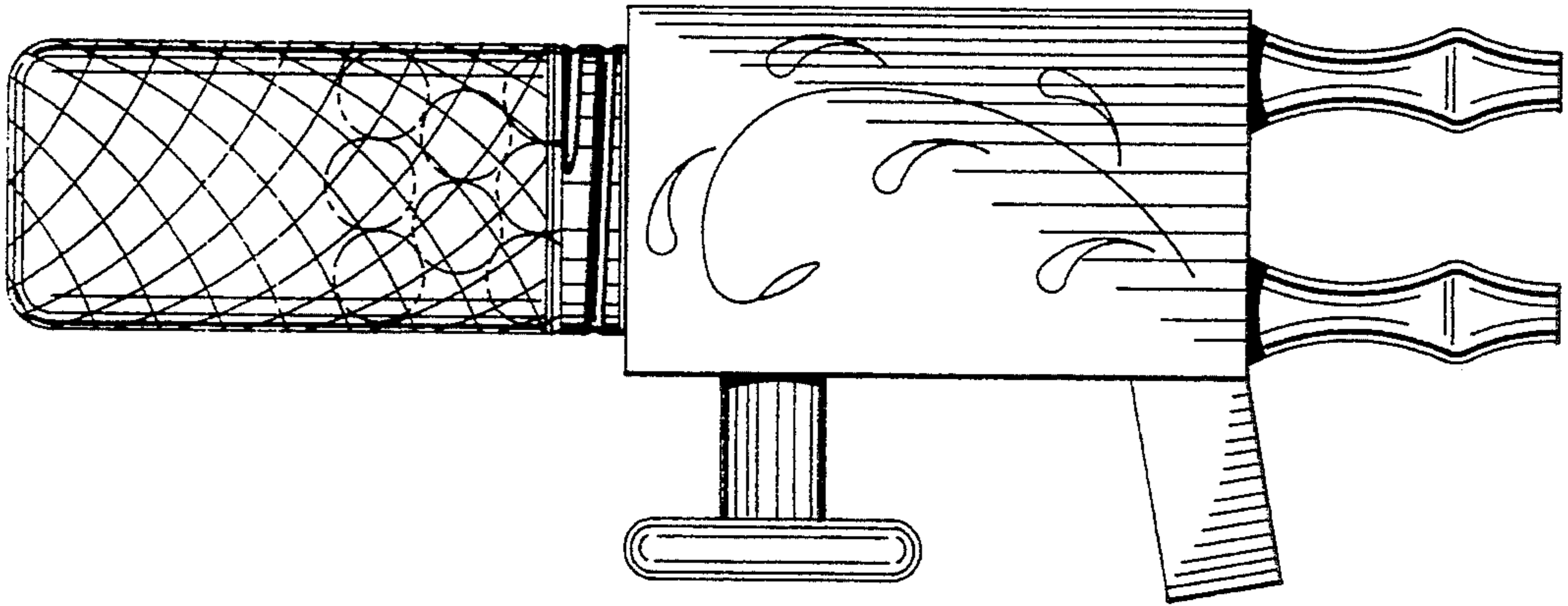


FIG. 3

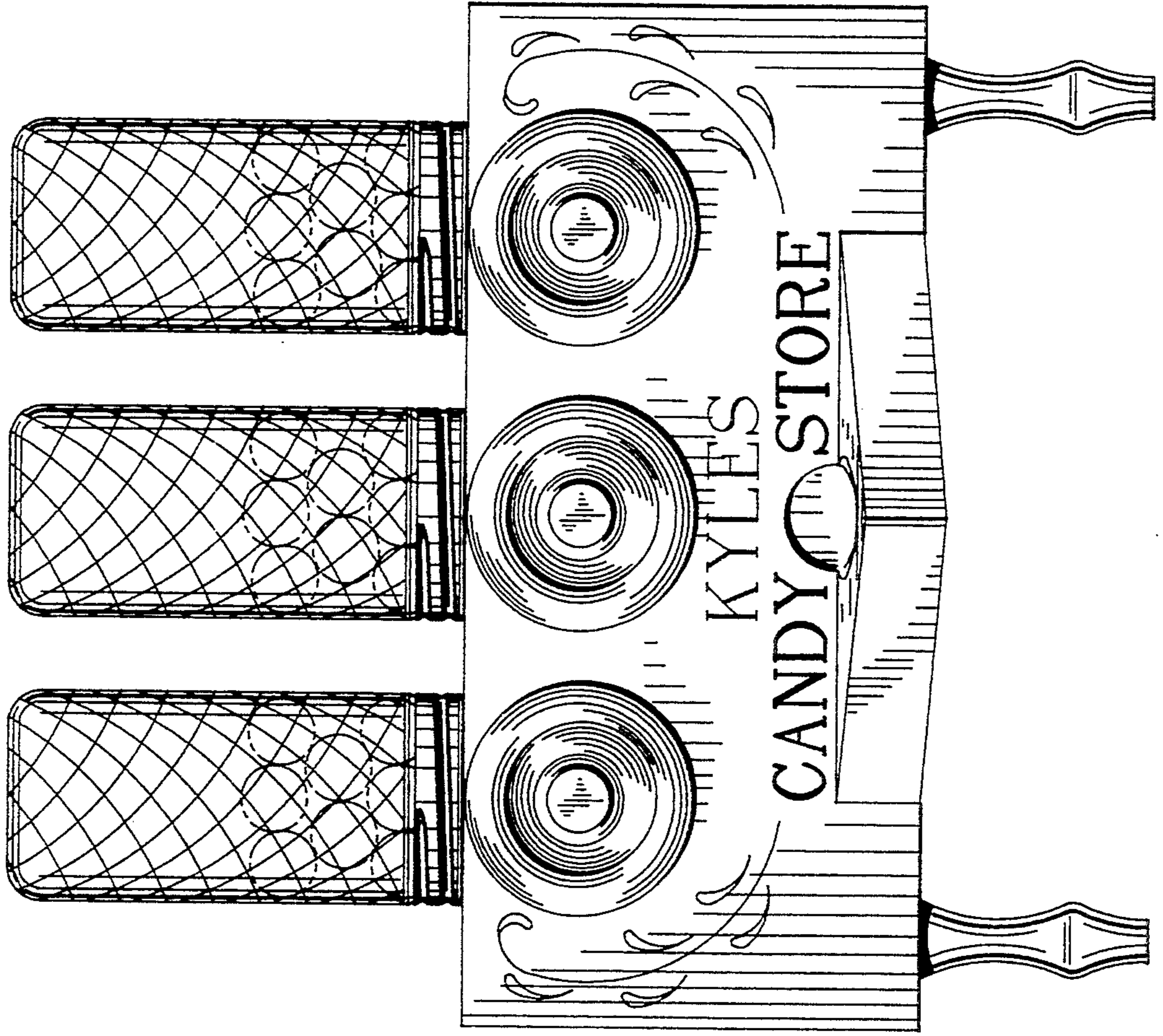


FIG. 2

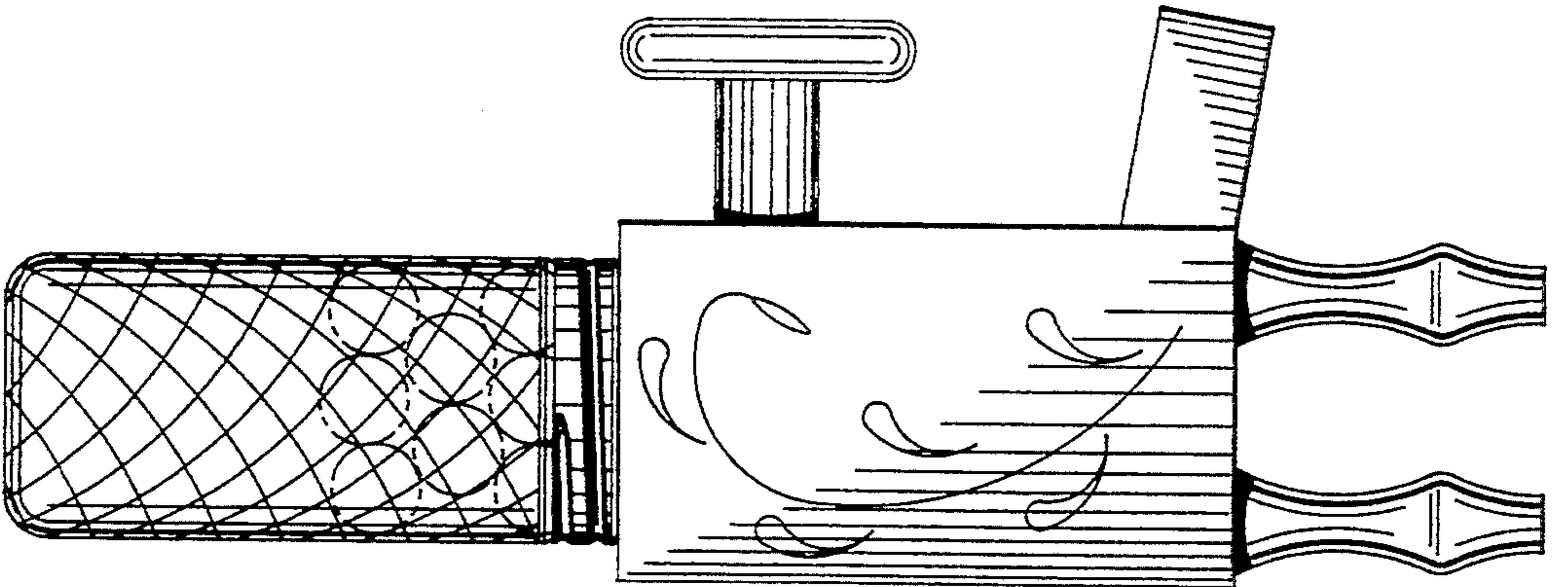


FIG. 5

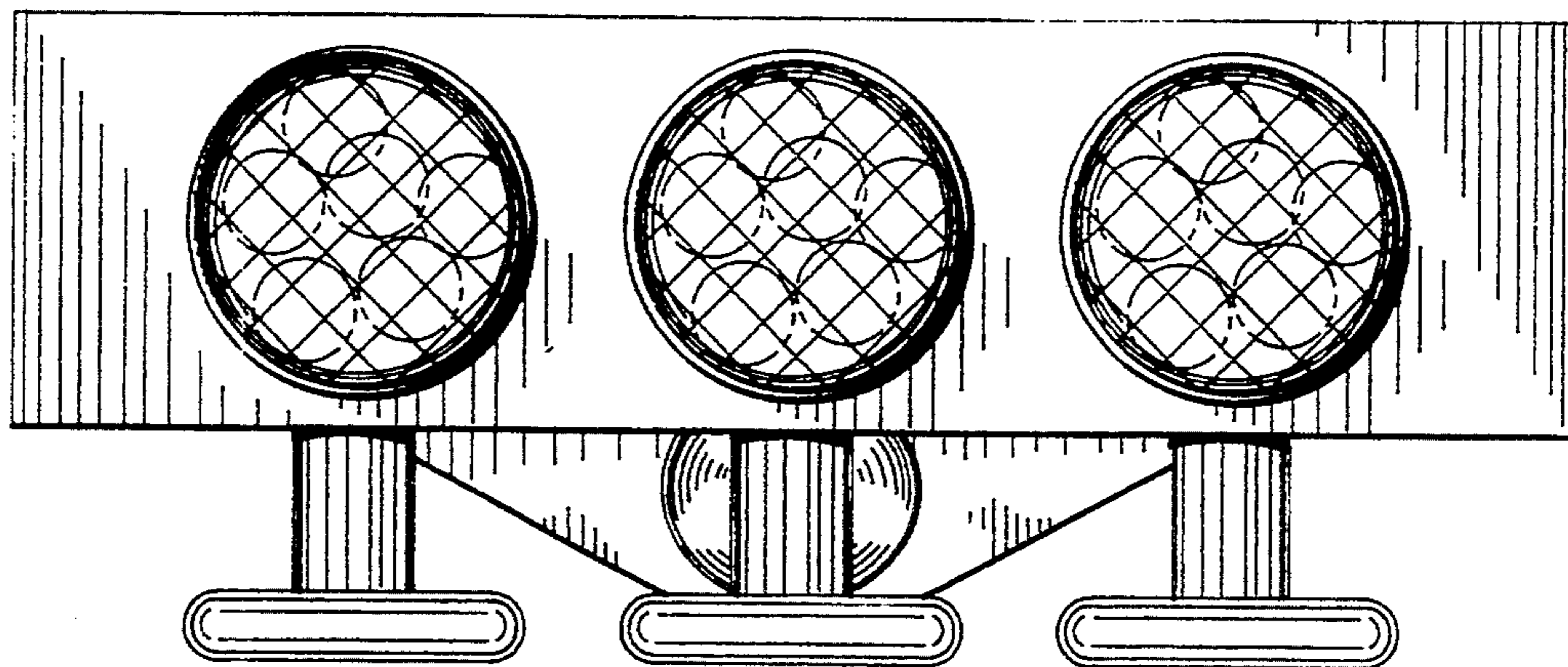


FIG. 6

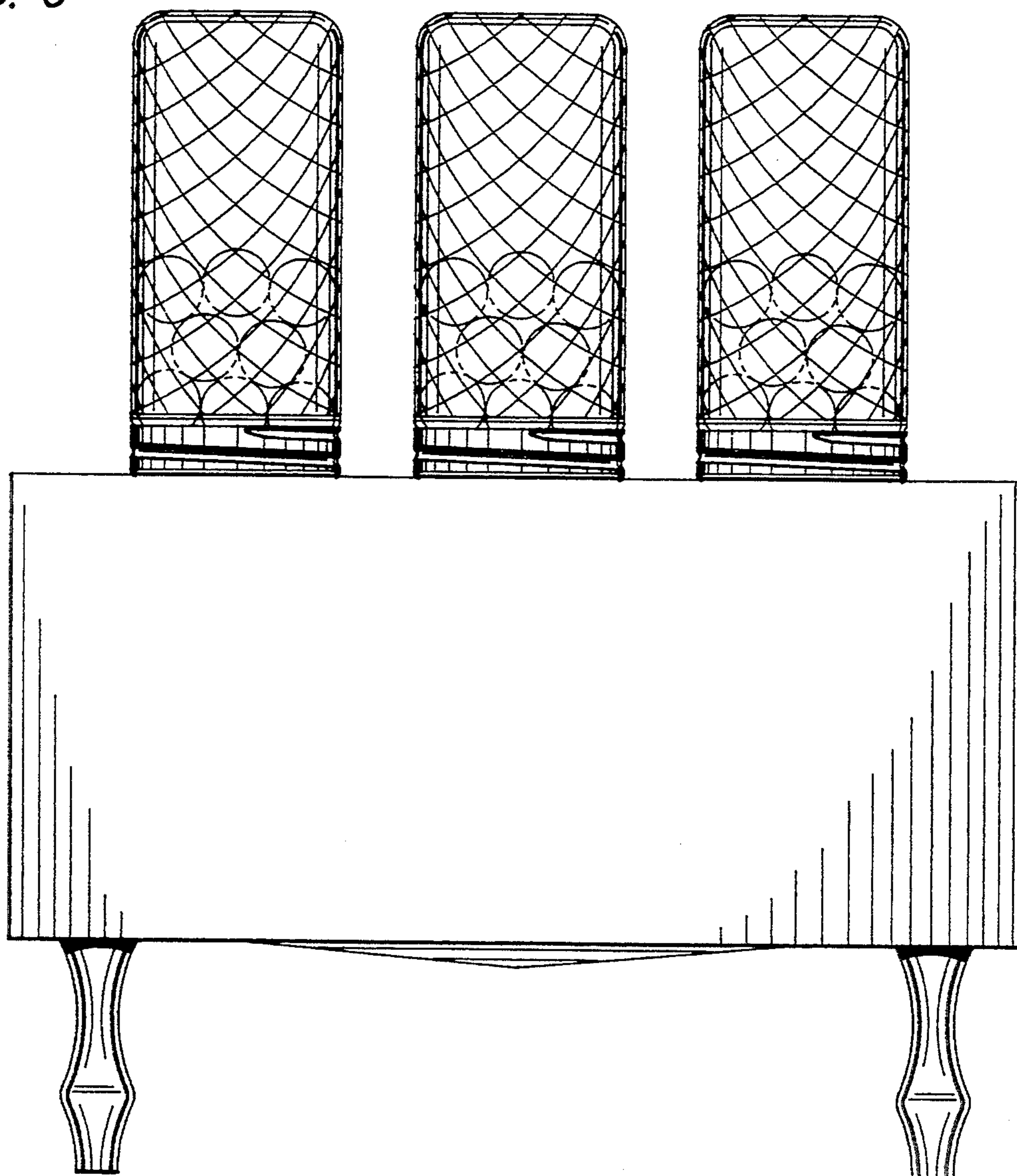


FIG. 7

