



US00D357610S

United States Patent [19]

[11] Patent Number: **Des. 357,610**

Dutro et al.

[45] Date of Patent: **** Apr. 25, 1995**

[54] **SINGLE BURNER COOKER**

[75] Inventors: **William A. Dutro, Cove; Ty Measom, Logan, both of Utah**

[73] Assignee: **Dutro Company, Emeryville, Calif.**

[**] Term: **14 Years**

[21] Appl. No.: **13,515**

[22] Filed: **Sep. 27, 1993**

[52] U.S. Cl. **D7/332**

[58] Field of Search **D7/332-337, D7/407-409; 126/25 R, 25 A, 29-30, 40, 50, 304 R, 305, 214 C, 9 R; D6/462, 487, 499**

[56] **References Cited**

U.S. PATENT DOCUMENTS

D. 120,152	1/1940	Tullis	D7/337
D. 184,450	2/1959	Morton	D7/337
D. 196,018	8/1963	Palmer et al.	D7/337
D. 201,234	5/1965	Busse	D7/337
D. 229,277	11/1973	Ming-Kong	D7/337

D. 328,547	8/1992	Dutro et al.	D7/332
D. 329,162	9/1992	Dutro et al.	D7/332
2,482,797	9/1949	Quinnell et al.	126/305
3,025,849	3/1962	Zimmerman	126/25 A
5,038,749	8/1991	Jerry et al.	126/40
5,065,735	11/1991	Bourgeois et al.	126/30

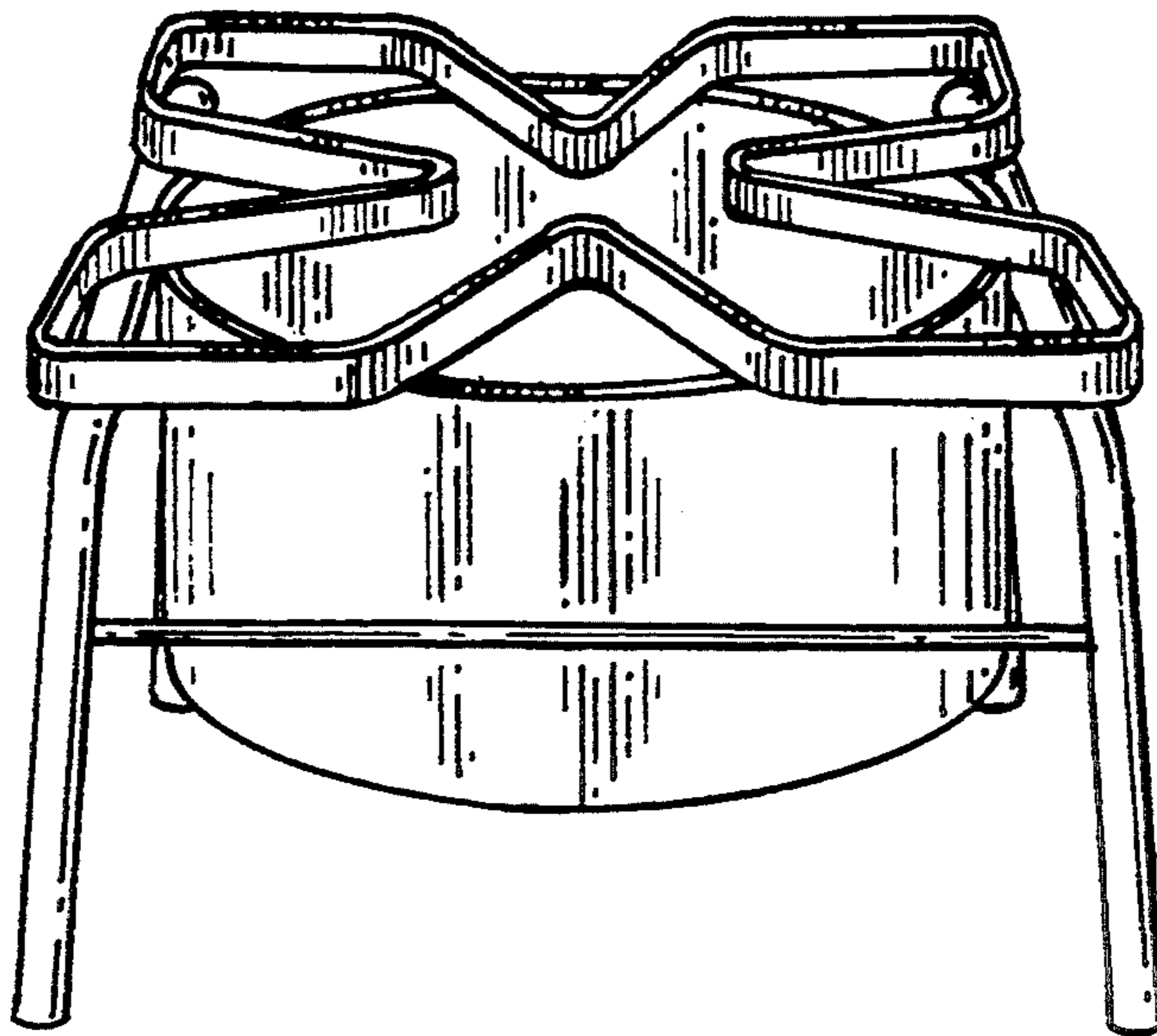
Primary Examiner—Ruth McInroy
Attorney, Agent, or Firm—Harris Zimmerman

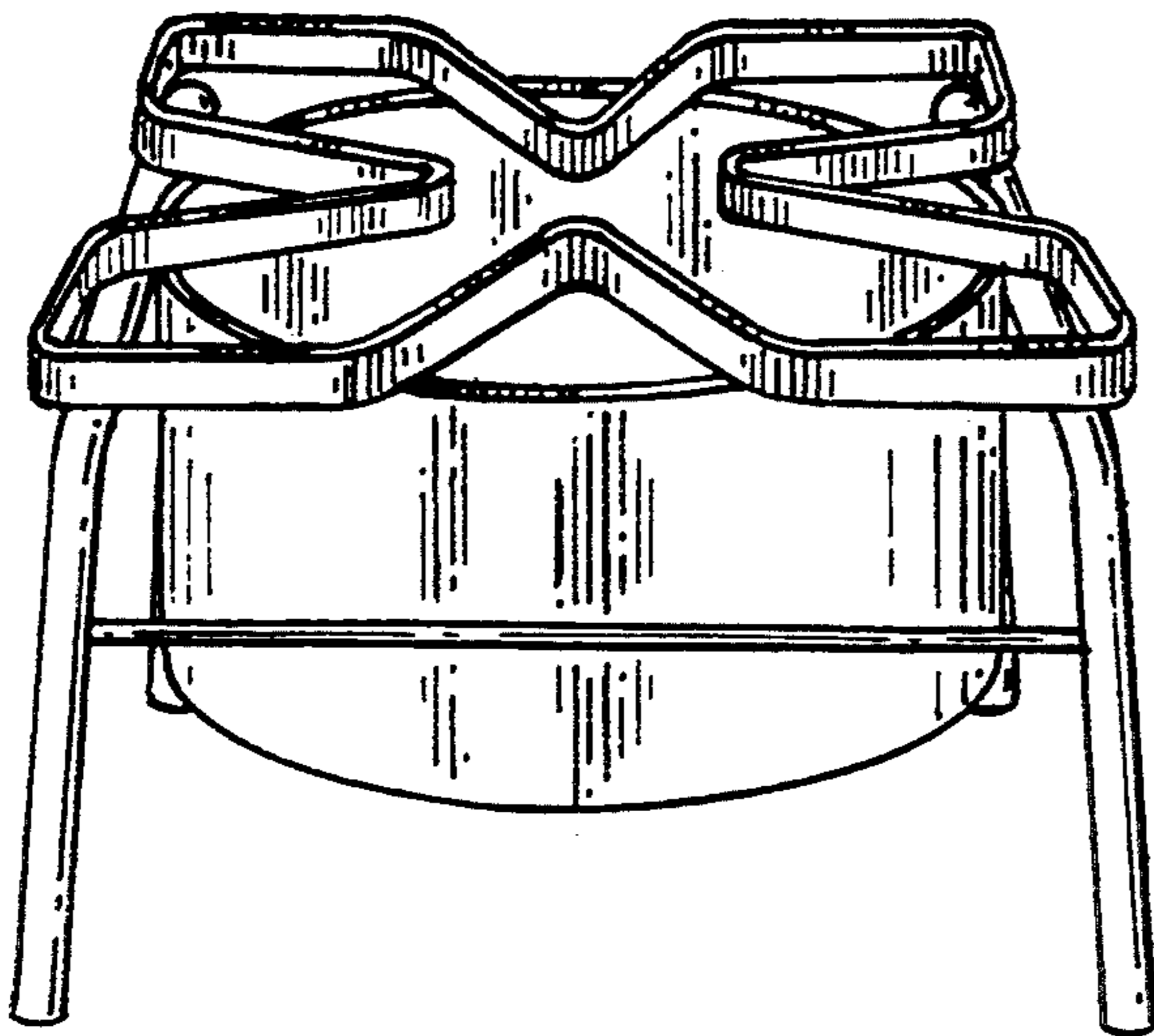
[57] **CLAIM**

The ornamental design for a single burner cooker, as shown and described.

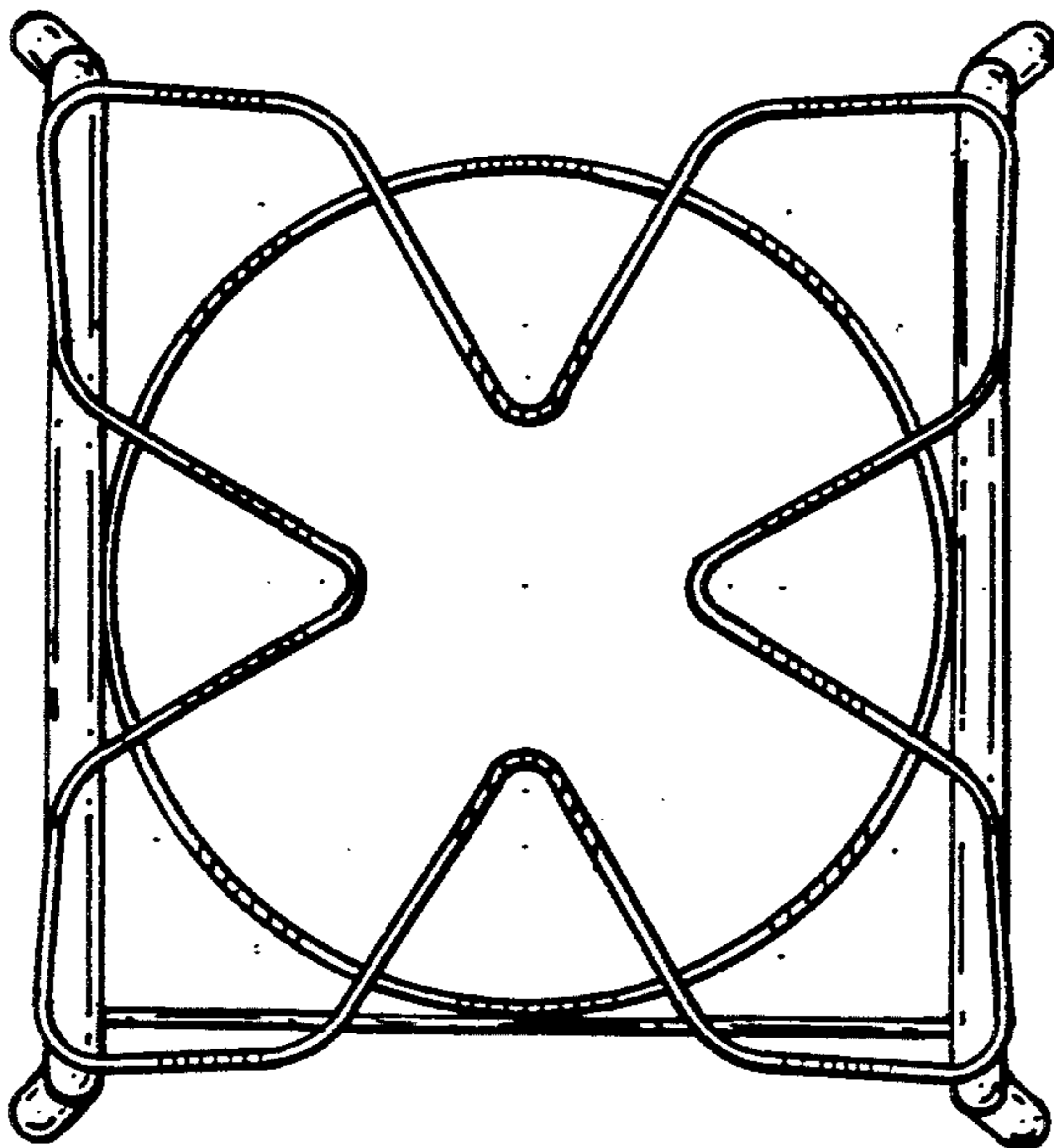
DESCRIPTION

FIG. 1 is a front perspective view of a single burner cooker showing our new design; FIG. 2 is a top plan view thereof; FIG. 3 is a front elevational view thereof; FIG. 4 is an end elevational view thereof, the opposite end being identical; FIG. 5 is a rear elevational view thereof; and, FIG. 6 is a bottom plan view thereof.

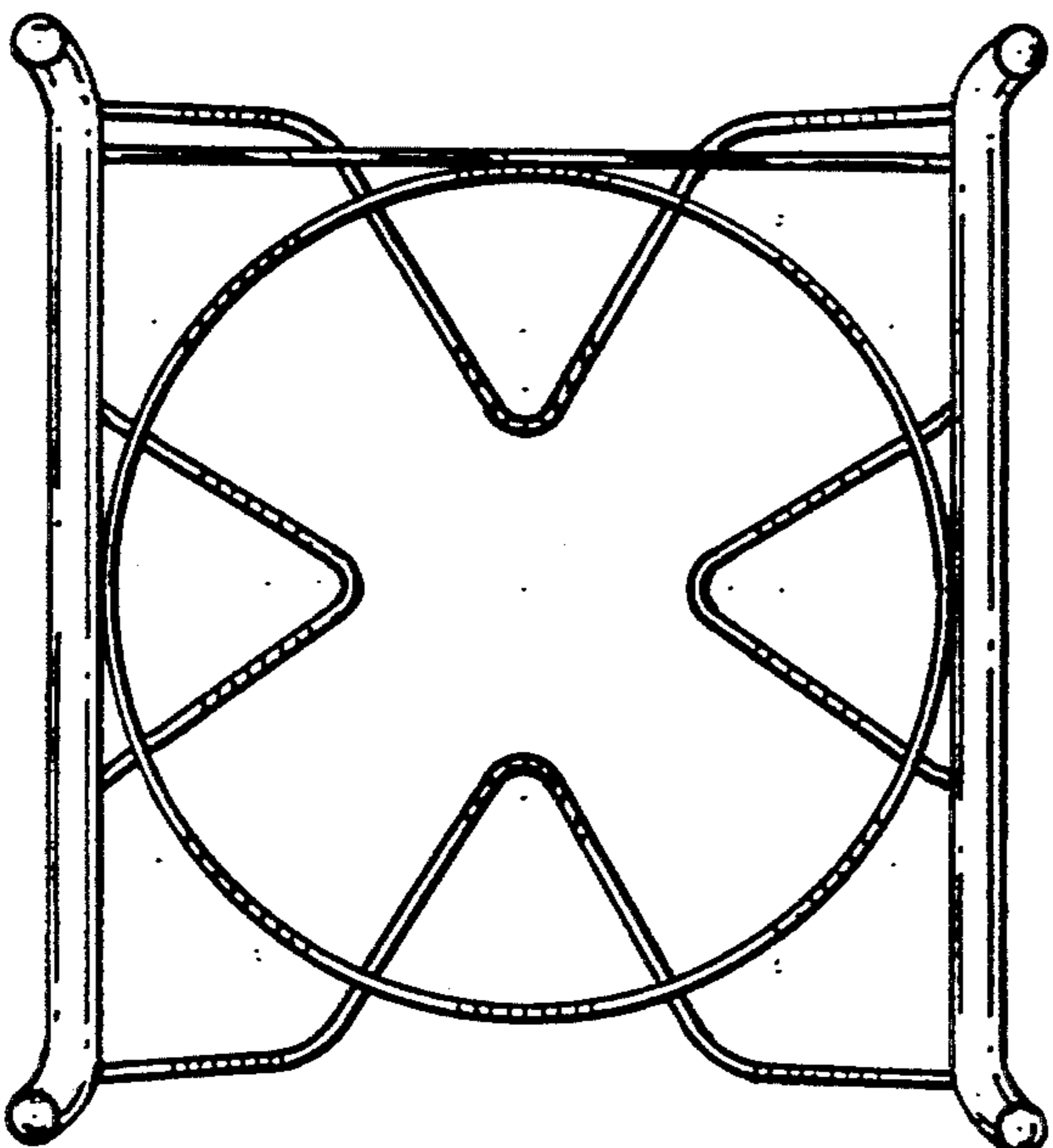




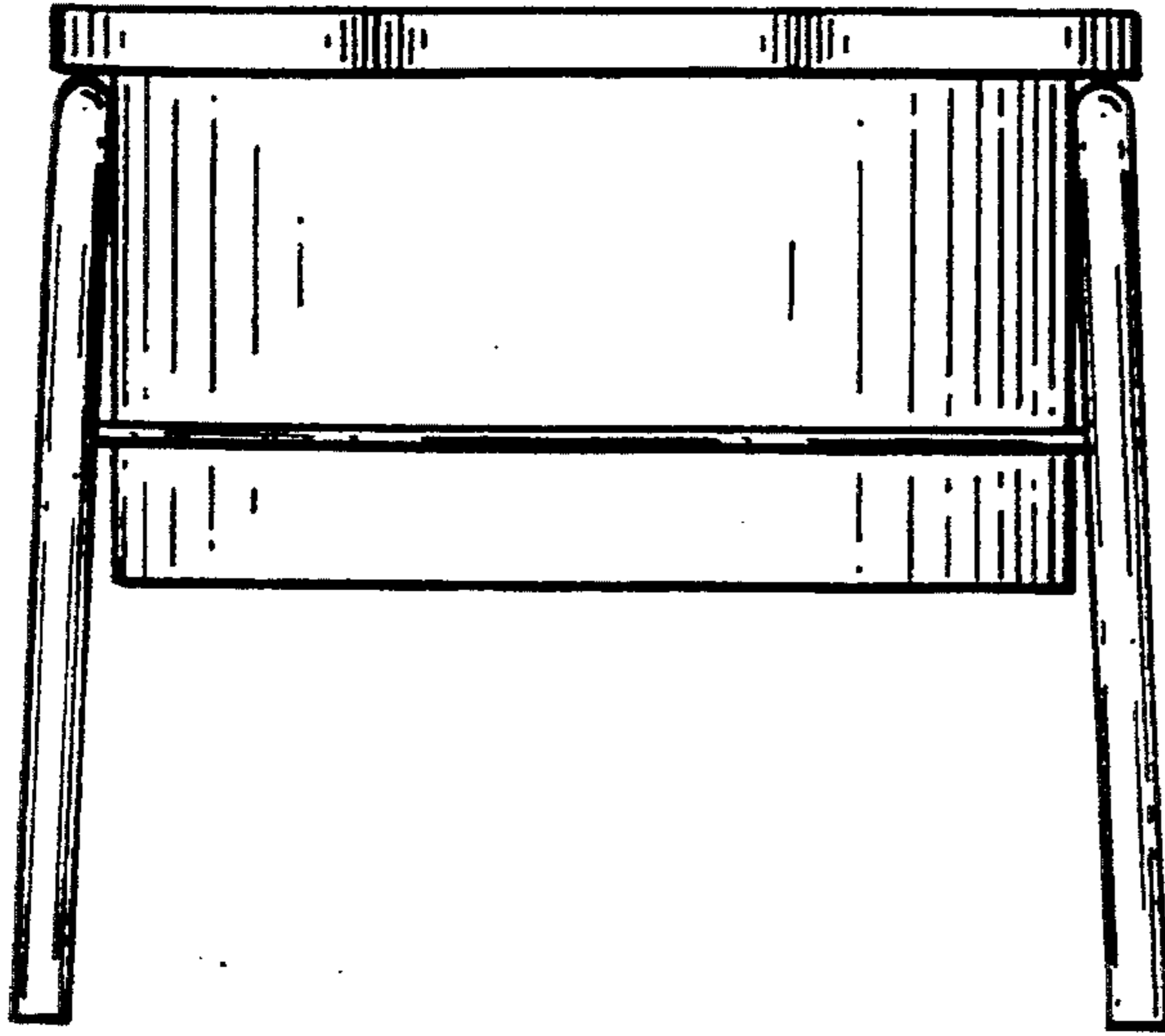
FIG_1



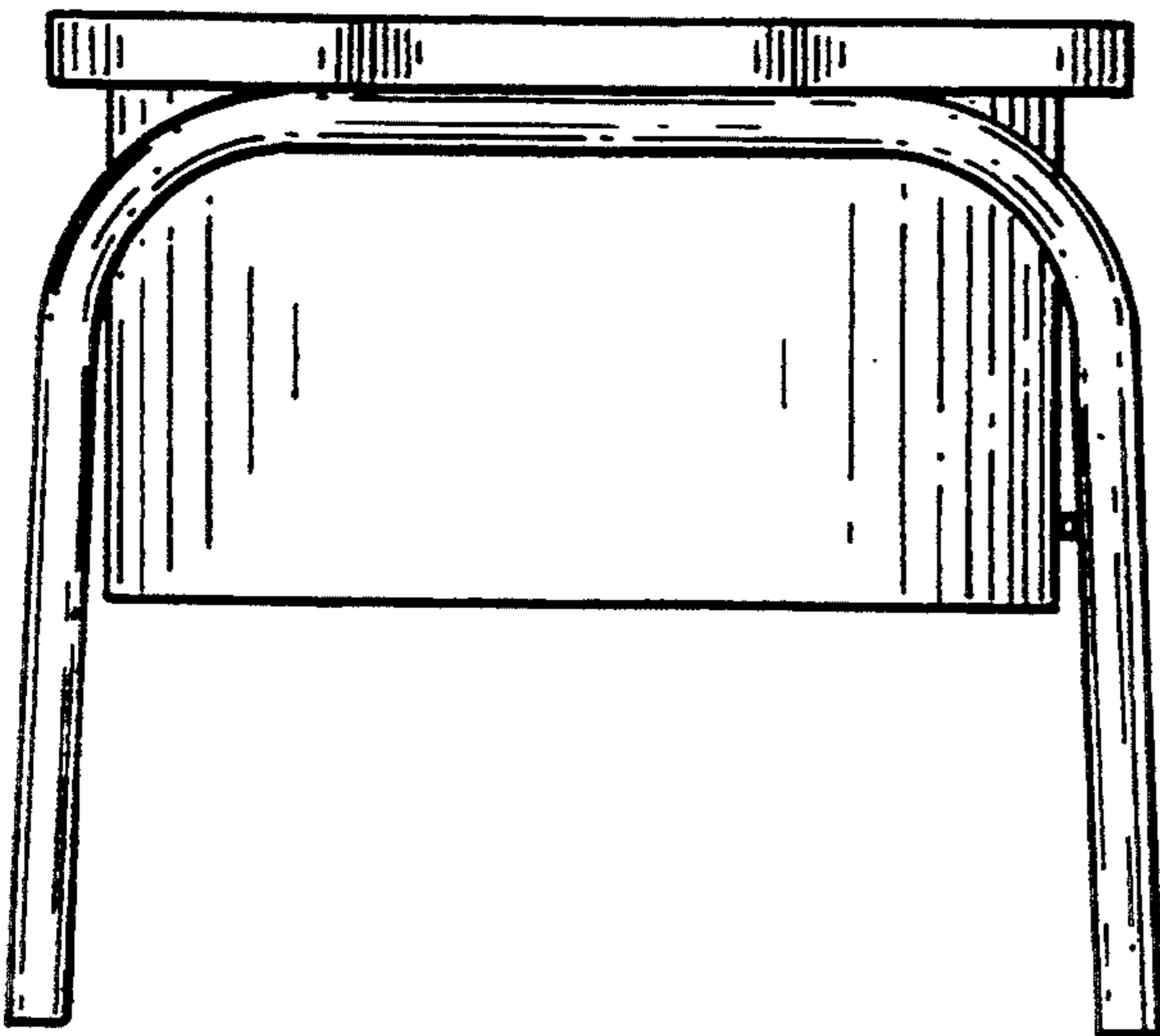
FIG_2



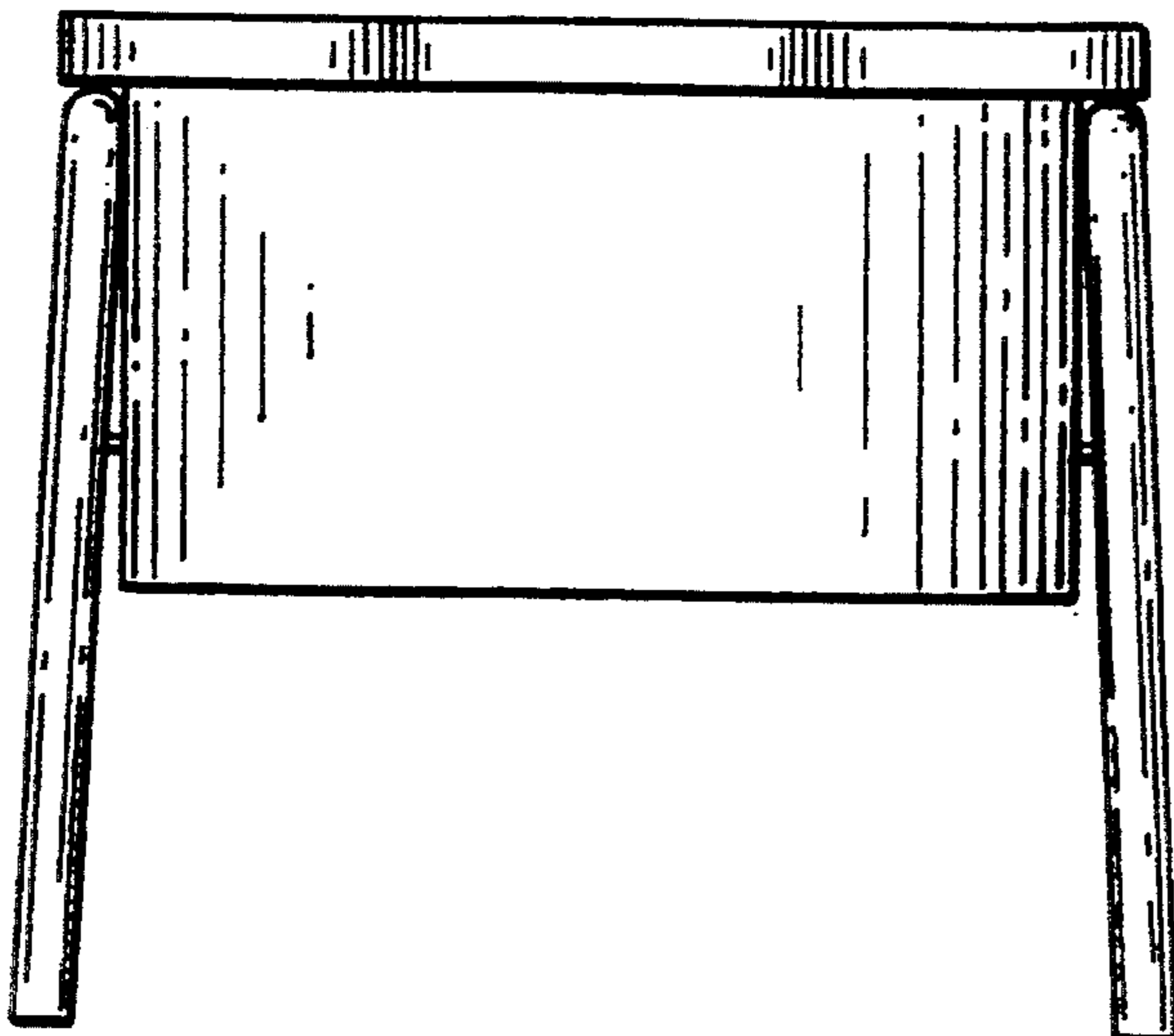
FIG_6



FIG_3



FIG_4



FIG_5