



US00D357608S

United States Patent [19]

[11] Patent Number: **Des. 357,608**

Todd, Jr.

[45] Date of Patent: **** Apr. 25, 1995**

[54] **CEILING FAN PULL DISPLAY RACK WITH SHELF**

[76] Inventor: **Alvin E. Todd, Jr., P.O. Box 924, Pigeon Forge, Tenn. 37863**

[**] Term: **14 Years**

[21] Appl. No.: **19,227**

[22] Filed: **Feb. 25, 1994**

[52] U.S. Cl. **D6/509; D6/457; D6/486**

[58] Field of Search **D6/410-415, D6/450, 462, 455, 457, 466-469, 509-511, 499, 491, 486, 475, 417; 108/150; 211/13, 163, 189**

[56] **References Cited**

U.S. PATENT DOCUMENTS

D. 97,569	11/1935	Trautmann	D6/486 X
D. 063,001	9/1923	Michelbach	.	
D. 115,287	6/1939	Evans	D6/511
D. 201,329	6/1965	Lieptz	D80/9
D. 237,564	11/1975	Laylon	D6/486
D. 281,558	12/1985	Cartwright	D6/469
D. 291,635	9/1987	Dickman	D6/511 X
D. 298,460	11/1988	Pryor	D6/415 X
D. 328,204	7/1992	Todd	D6/457
D. 333,221	2/1993	Wurst	D6/486
D. 333,933	3/1993	Feinbloom	D6/486

D. 336,192	6/1993	Wedeking	D6/511
D. 346,289	4/1994	Todd	D6/457
D. 348,999	7/1994	Bonazza	D6/455 X
2,868,386	1/1959	Seyforth	211/95
3,292,797	12/1966	Berk	211/163
3,502,226	3/1970	Marschak	211/163
4,480,755	11/1984	Cartwright	211/60
4,674,415	6/1987	Smith	108/150

OTHER PUBLICATIONS

PolyPole, APC advertisement, p. 14.

Primary Examiner—Alan P. Douglas

Assistant Examiner—Jeffrey Asch

Attorney, Agent, or Firm—Pitts & Brittan

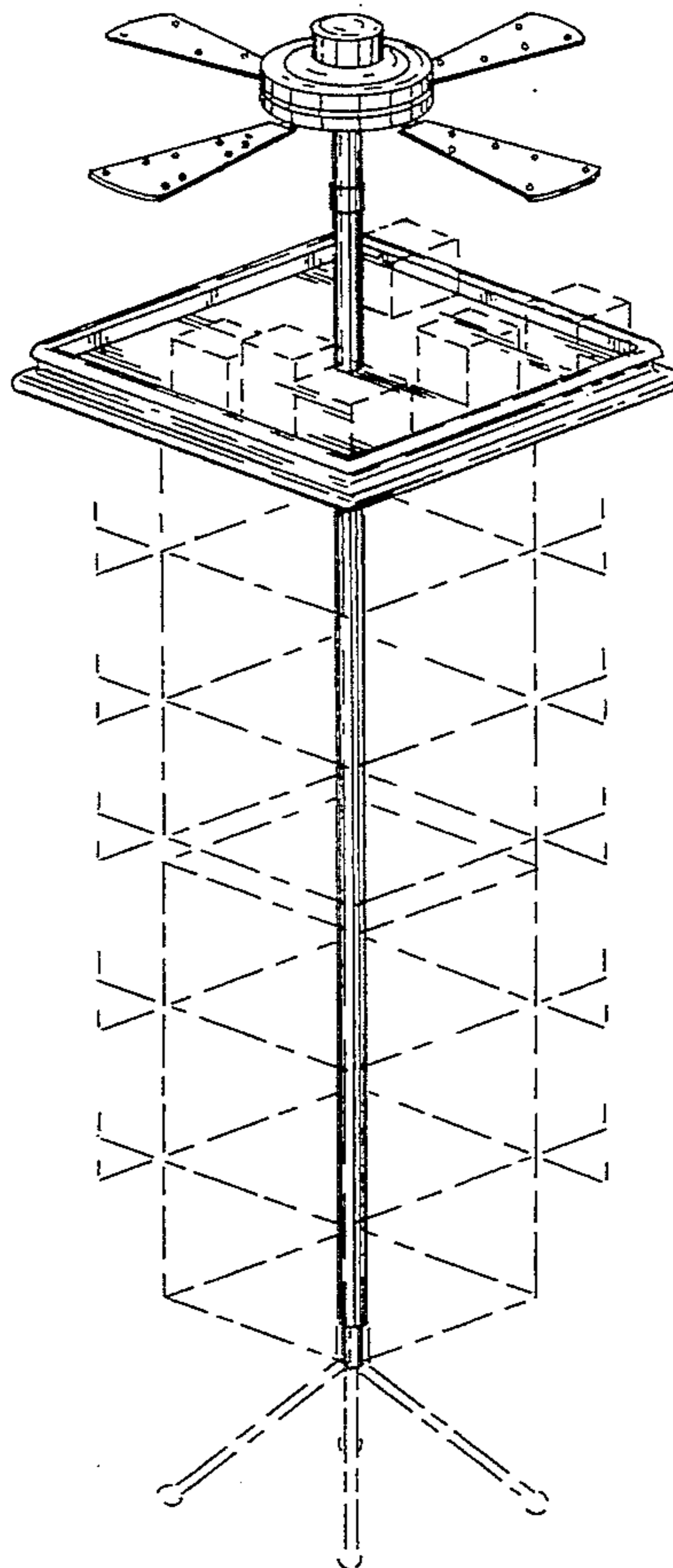
[57] **CLAIM**

The ornamental design of a ceiling fan pull display rack with shelf, as shown and described.

DESCRIPTION

FIG. 1 is a typical side elevational view of a ceiling fan pull display rack with a shelf showing my new design; FIG. 2 is a perspective view thereof; FIG. 3 is a top plan view thereof; and, FIG. 4 is a bottom plan view thereof.

The broken line showings of support members, wire rack and of ceiling fan pulls in FIGS. 1, 2, and 4, are for illustrative purposes only and forms no part of the claimed design.



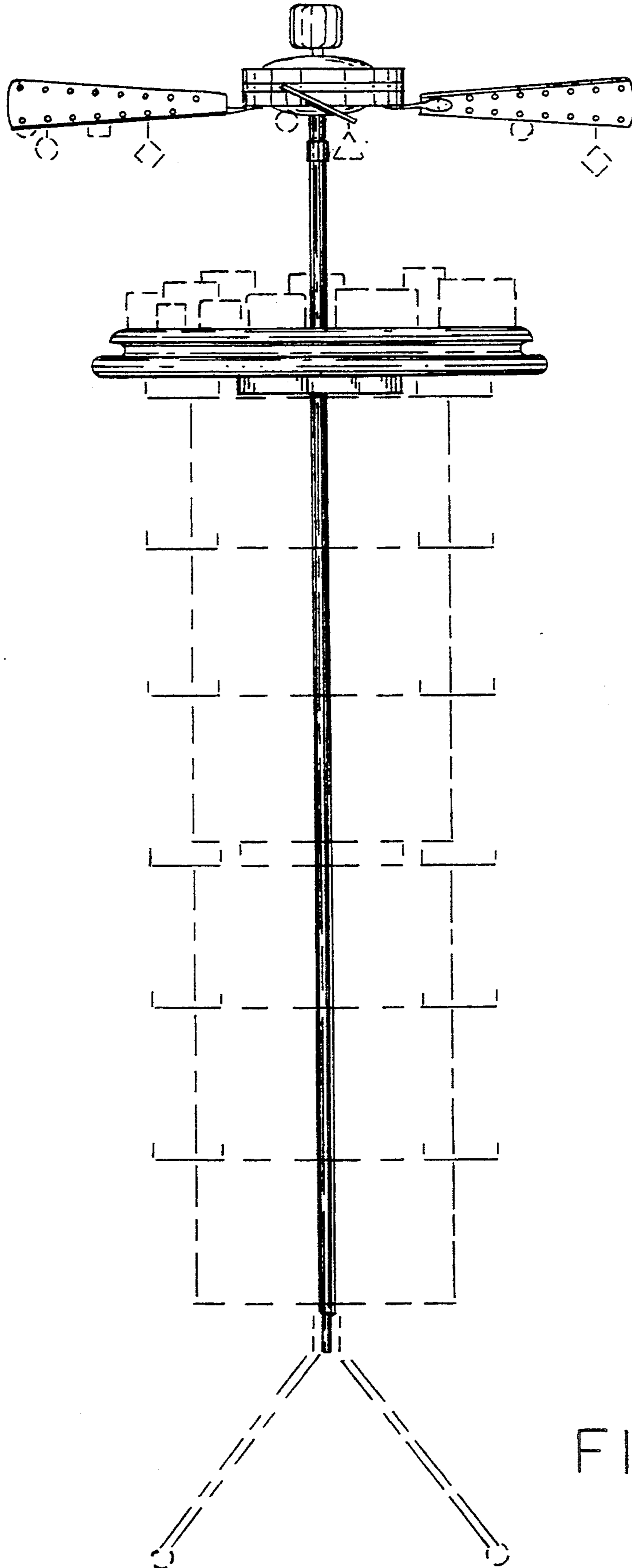


FIG. 1

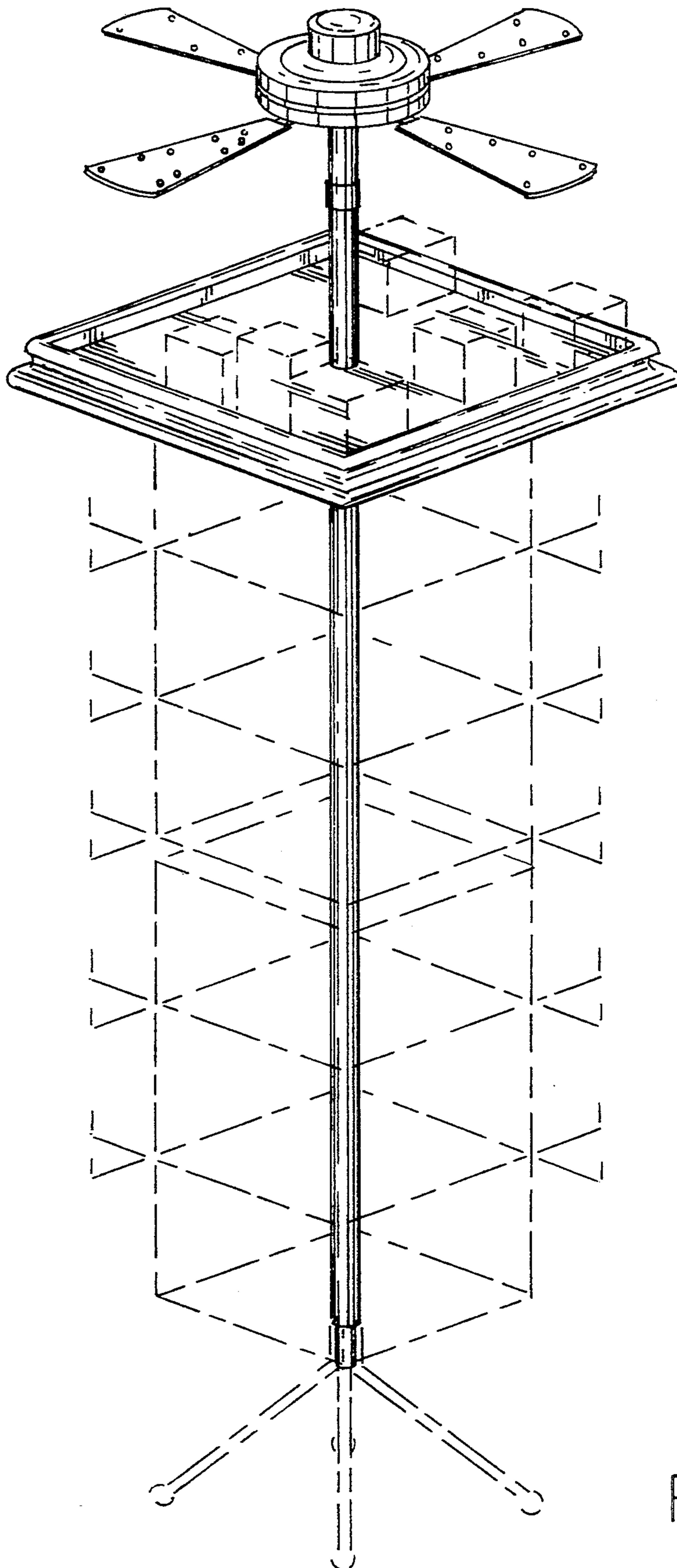


FIG. 2

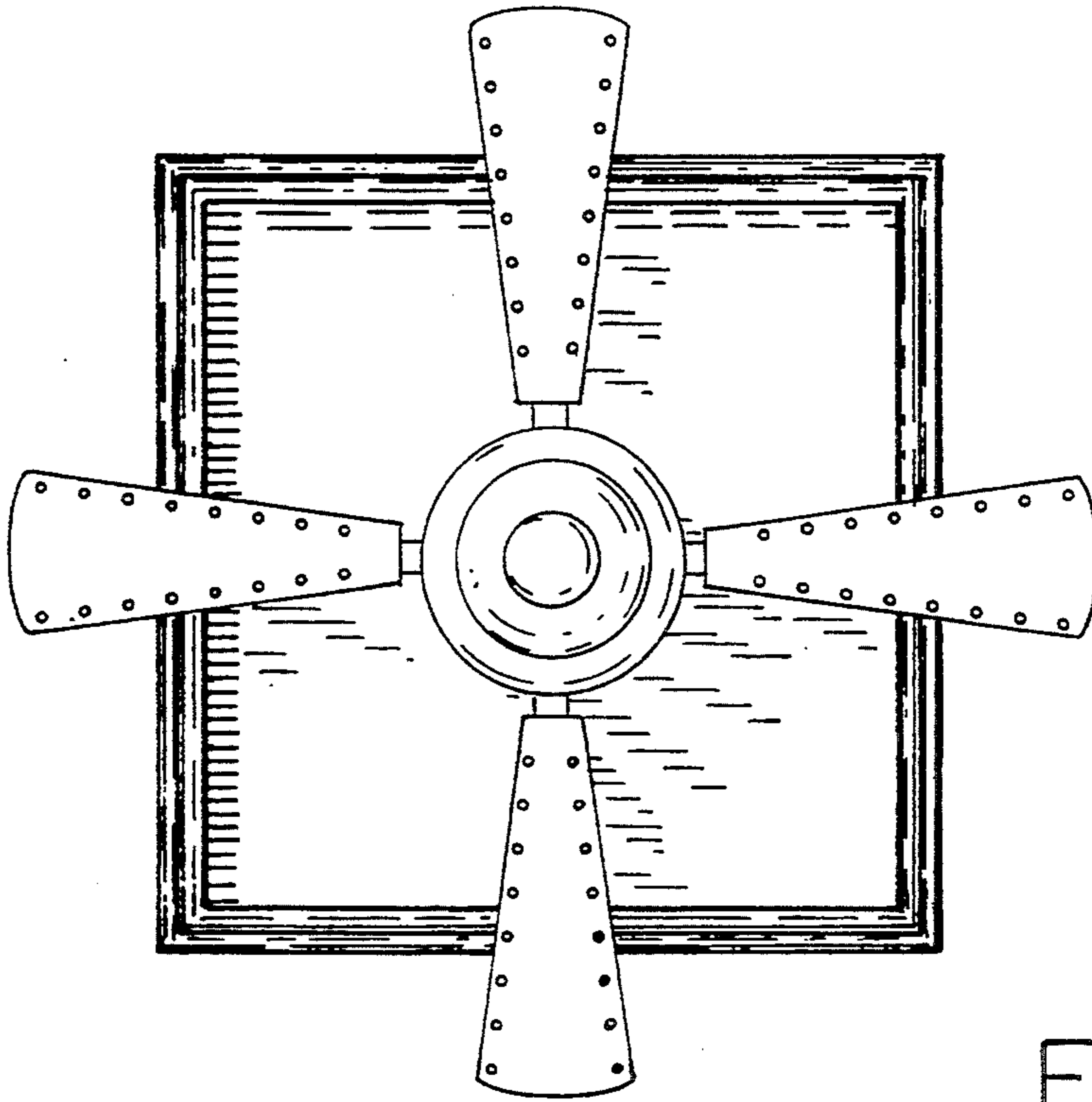


FIG. 3

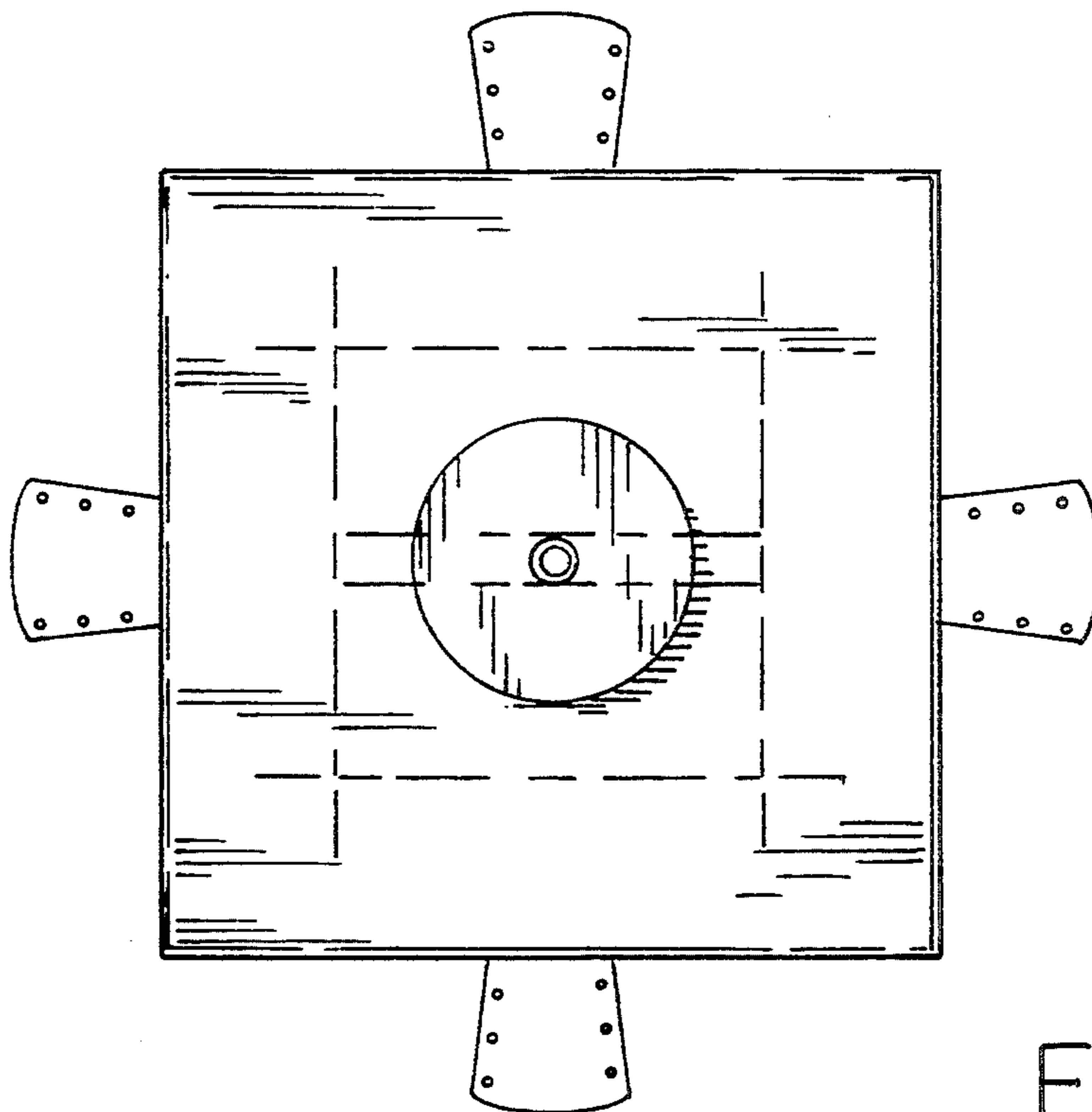


FIG. 4