



US00D357605S

United States Patent [19]

[11] Patent Number: **Des. 357,605**

Kellen

[45] Date of Patent: **** Apr. 25, 1995**

[54] **CAFE TABLE**

[75] Inventor: **Elizabeth C. Kellen**, Santa Monica, Calif.

[73] Assignee: **Westinghouse Electric Corporation**, Pittsburgh, Pa.

[**] Term: **14 Years**

[21] Appl. No.: **16,658**

[22] Filed: **Dec. 21, 1993**

[52] U.S. Cl. **D6/486; D6/488**

[58] Field of Search **D6/480-489, D6/495, 498, 499, 451; 108/150, 153-157, 160, 161**

[56] **References Cited**

U.S. PATENT DOCUMENTS

D. 86,132	2/1932	Kanter	D6/486
D. 296,399	6/1988	Epp	D6/486
D. 315,265	3/1991	Duffey	D6/495

OTHER PUBLICATIONS

Schoner Wahner—Jun. 1988, p. 180, #2 Table in front.
Schoner Wohnen, Nov. 1988, p. 110, Duiti table at left center.

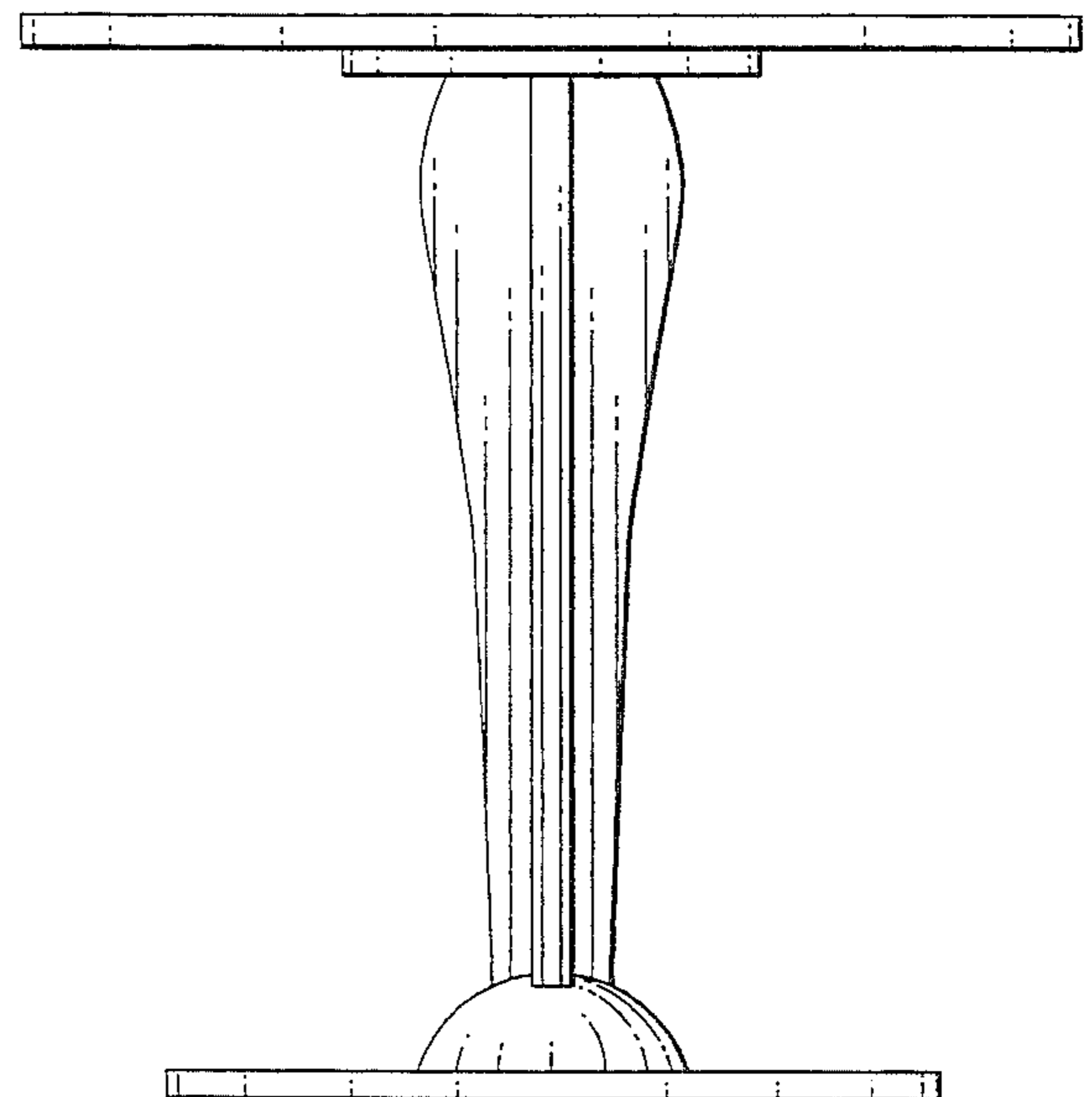
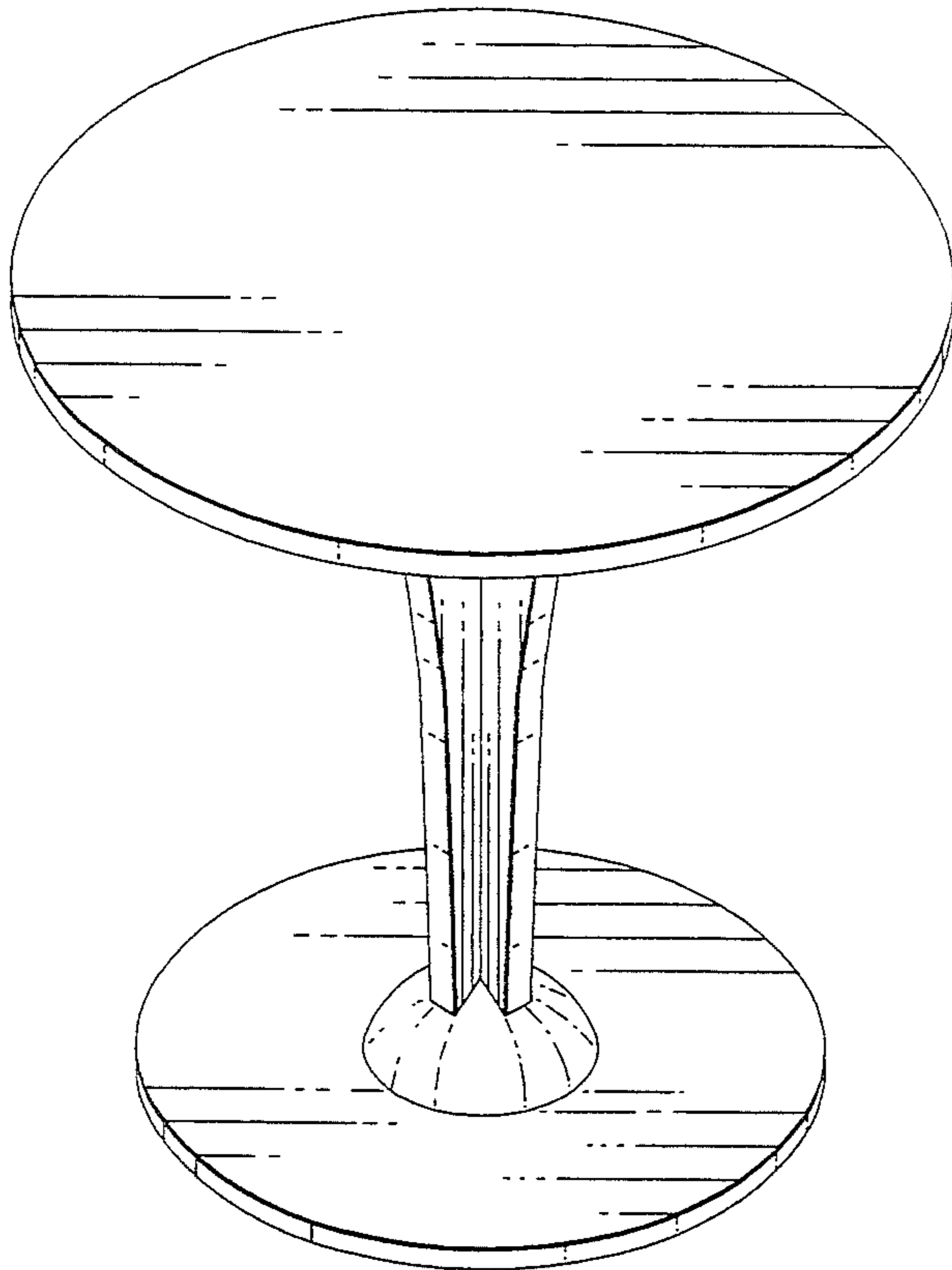
Primary Examiner—Janice E. Seeger
Attorney, Agent, or Firm—Carla J. Vrsansky

[57] **CLAIM**

The ornamental design for a cafe table, as shown and described.

DESCRIPTION

FIG. 1 is a perspective view of a cafe table showing my new design;
FIG. 2 is a front elevational view thereof;
FIG. 3 is a rear elevational view thereof;
FIG. 4 is a right side elevational view thereof, the left side being a mirror image thereof;
FIG. 5 is a bottom plan view thereof; and,
FIG. 6 is a top plan view thereof.



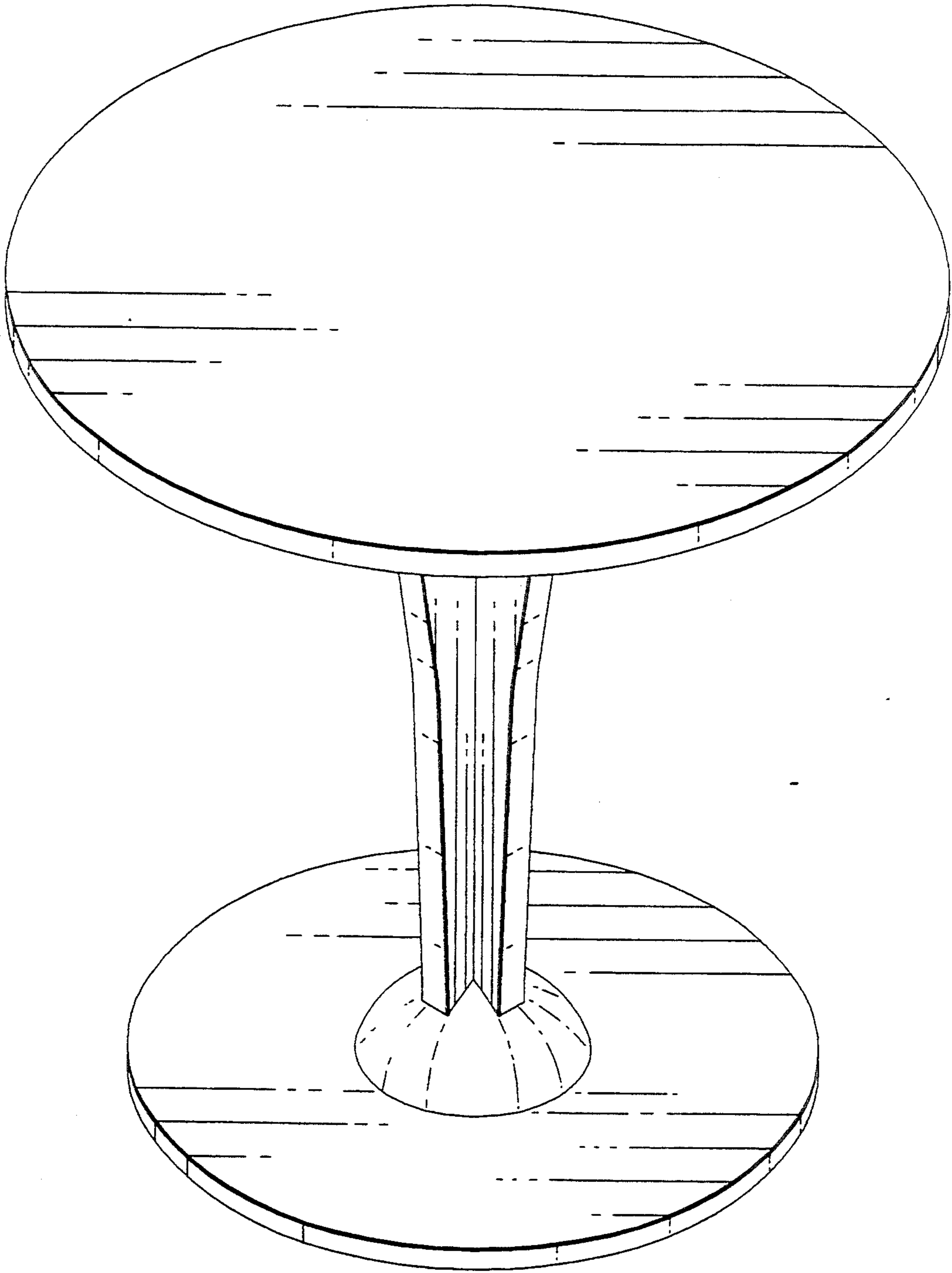


FIG. 1

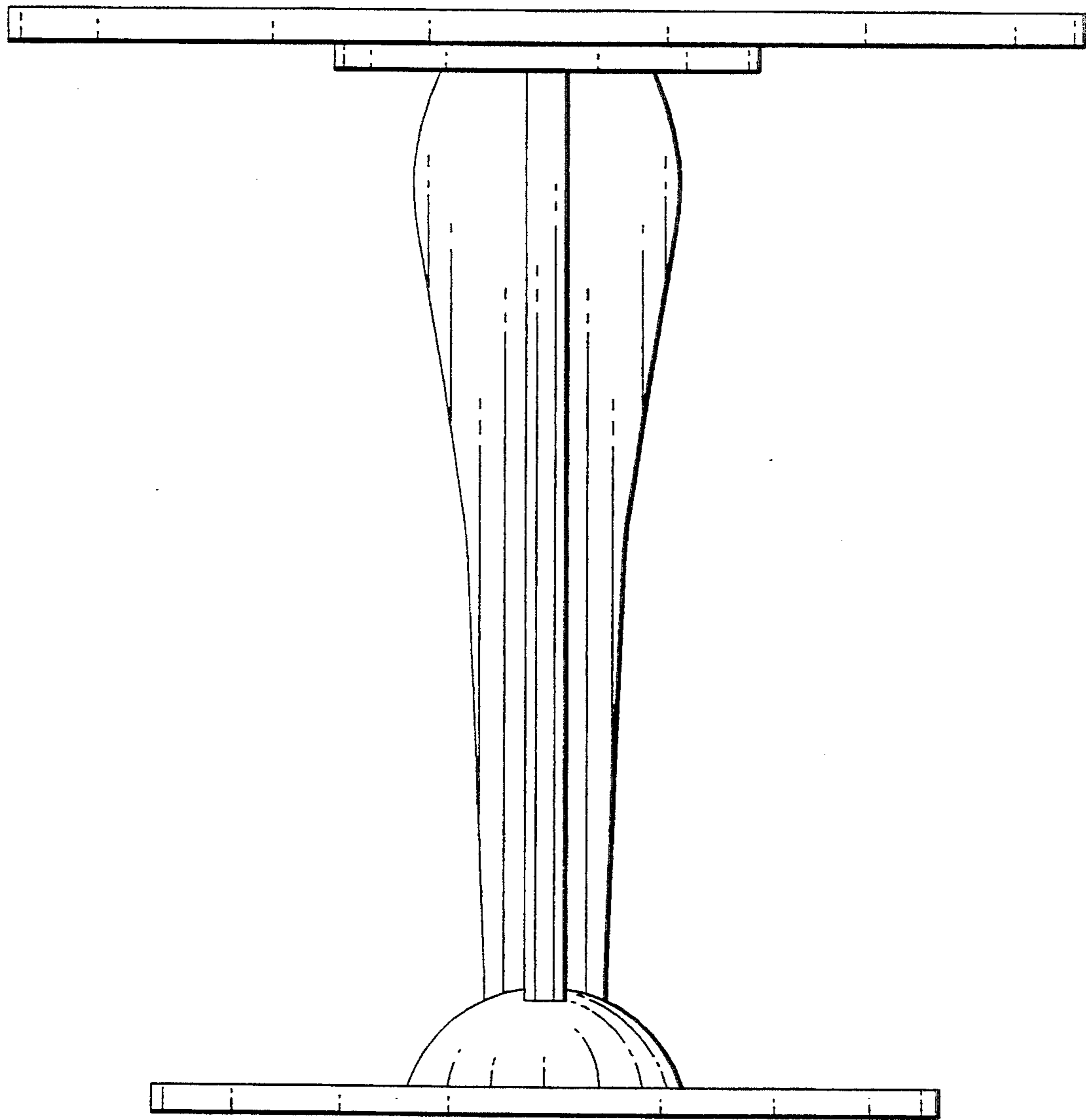


FIG. 2

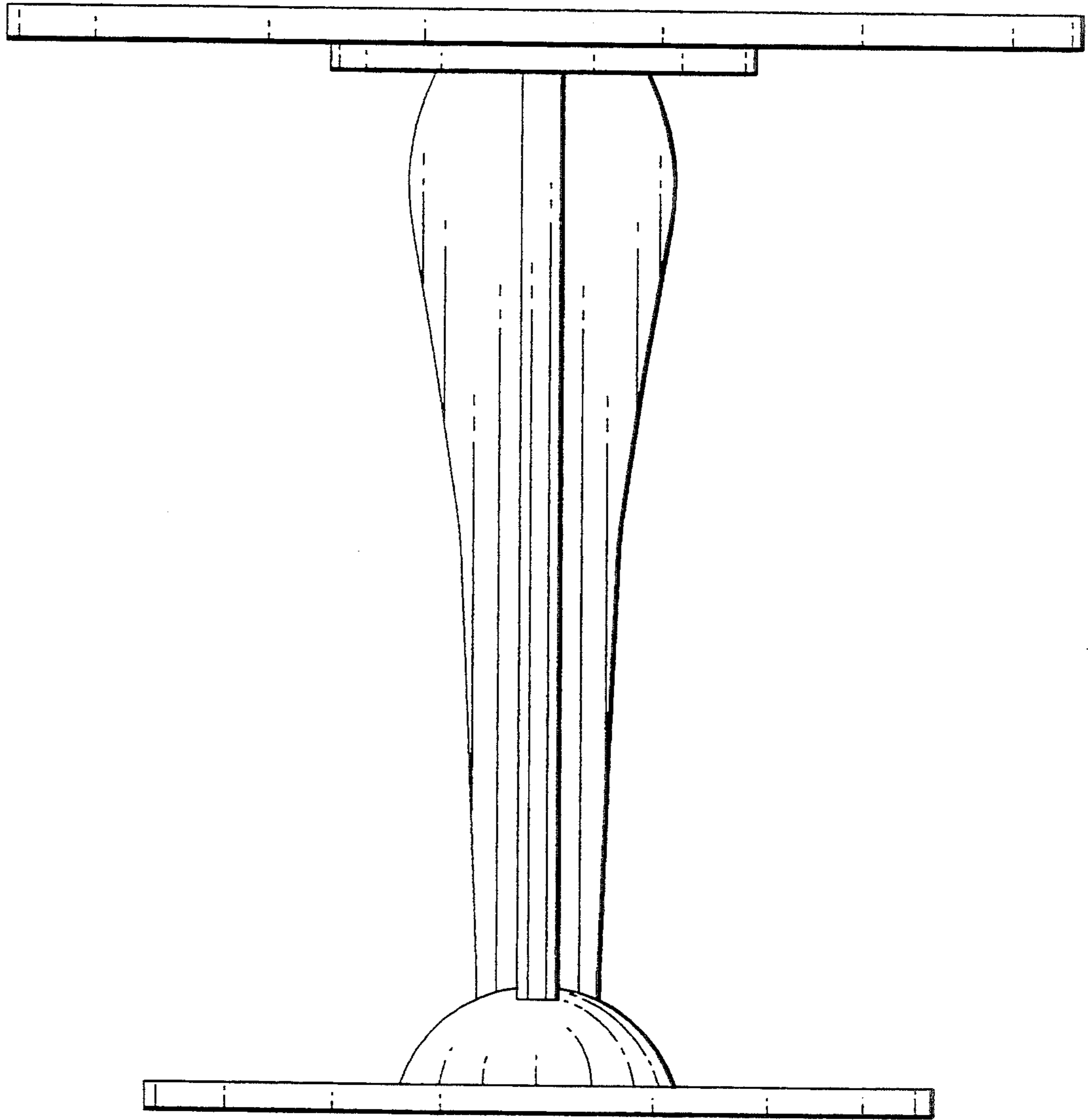


FIG. 3

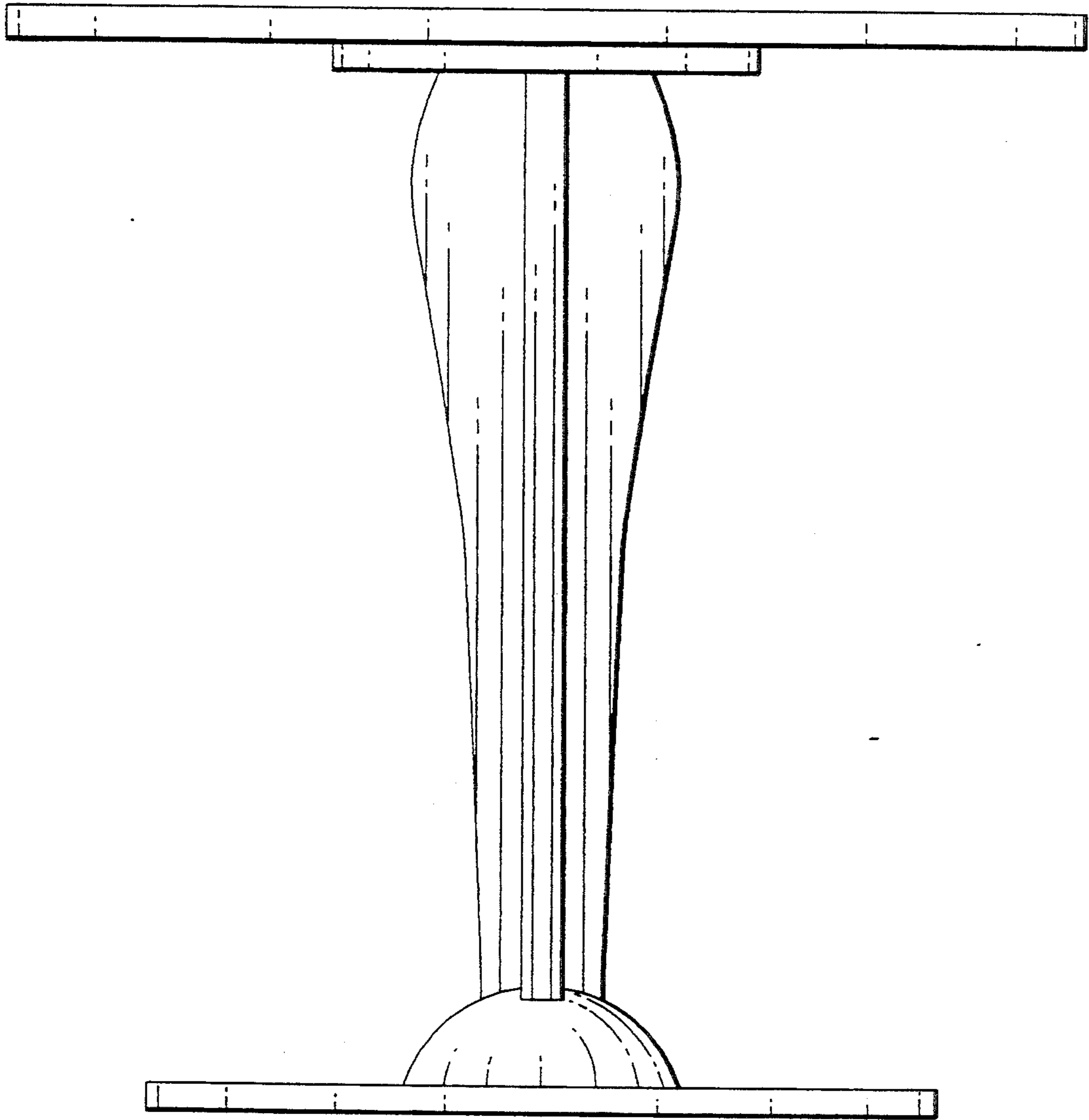


FIG. 4

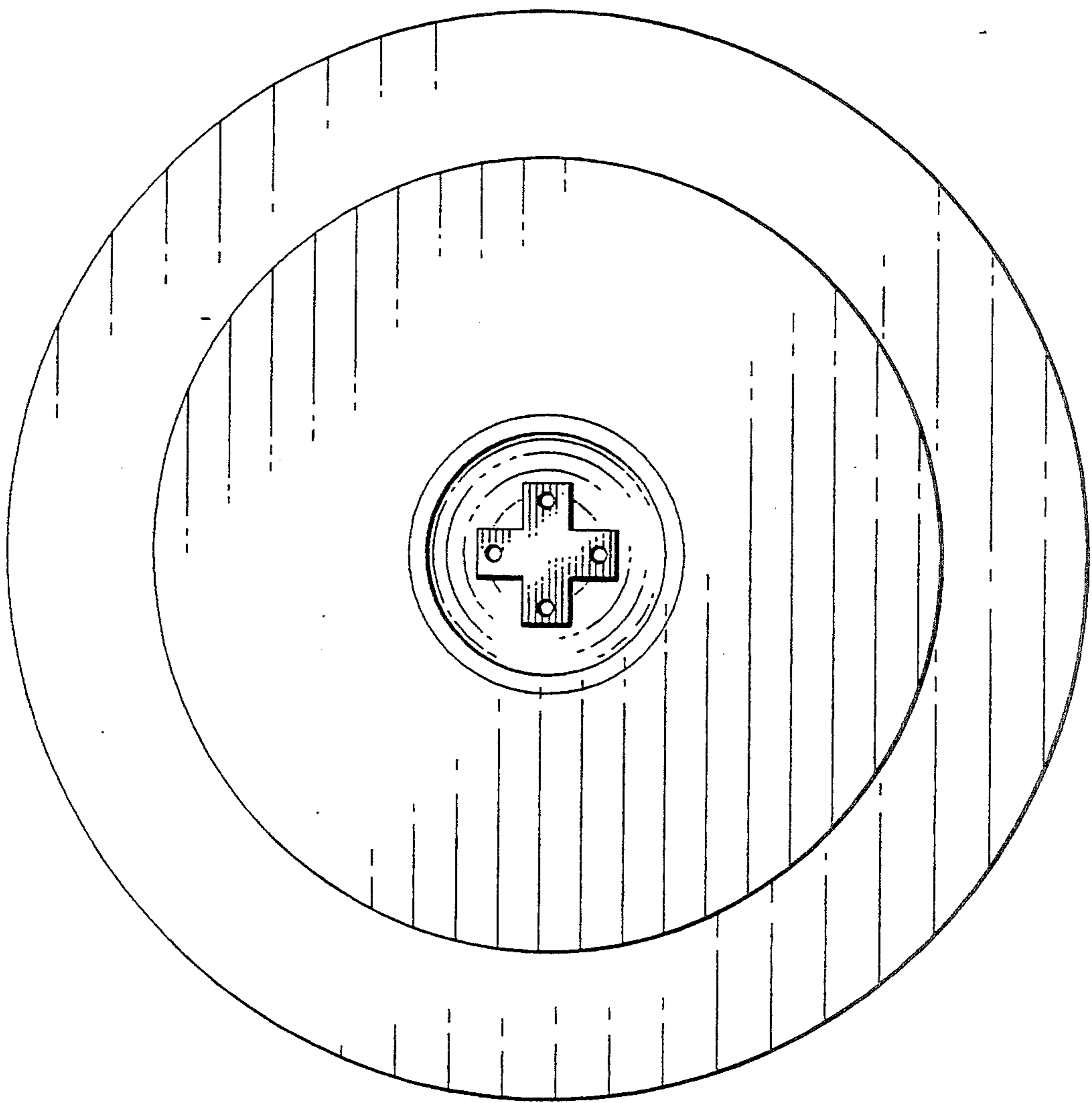


FIG. 5

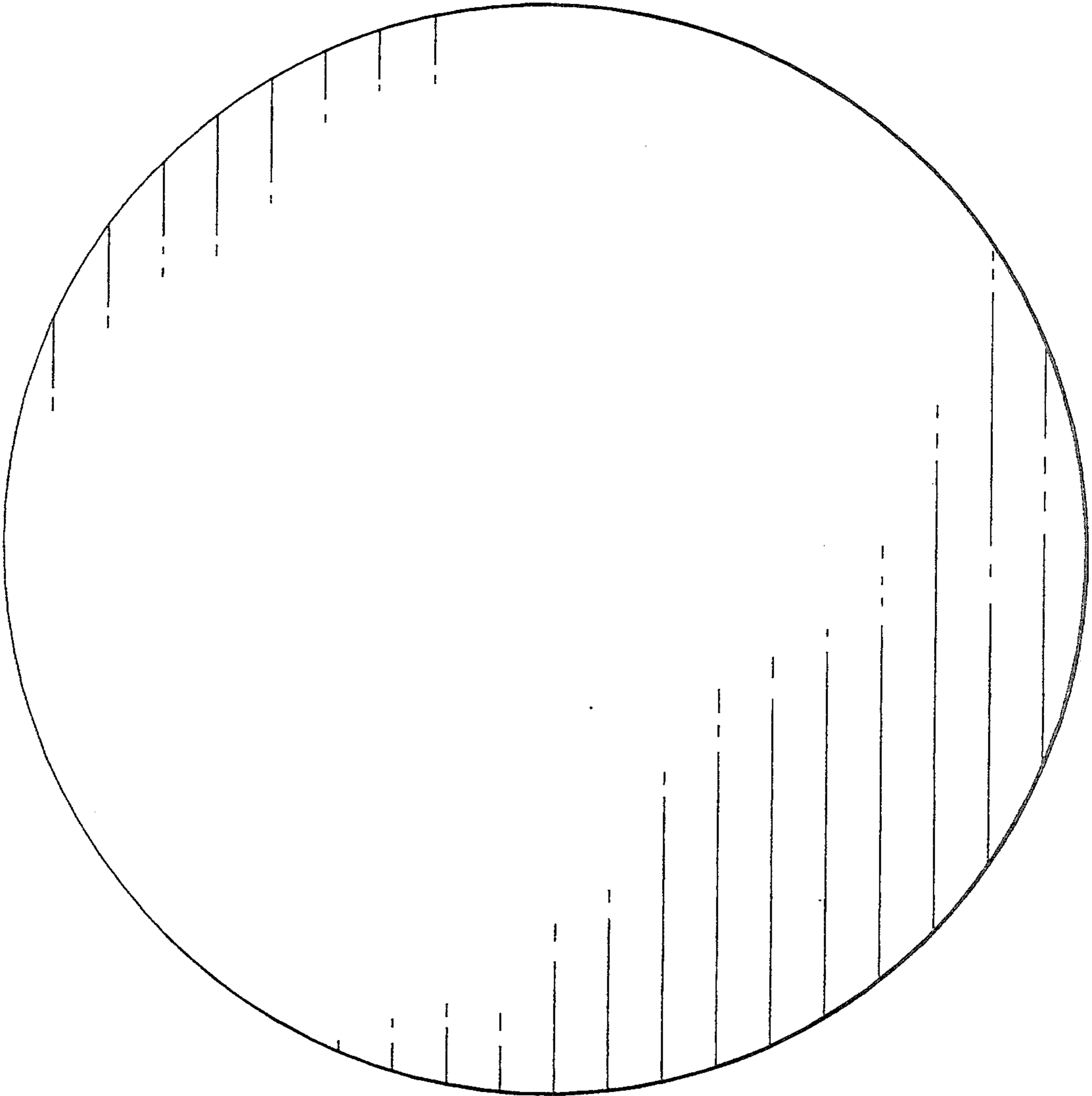


FIG. 6