



US00D357603S

# United States Patent [19]

[11] Patent Number: **Des. 357,603**

Wolff

[45] Date of Patent: **\*\* Apr. 25, 1995**

[54] **BASE FOR DISPLAYING OR HOLDING ITEMS**

1,695,533 12/1928 Caldwell ..... 248/127 X

[76] Inventor: **Stephen H. Wolff, 35 W. 35th St., New York, N.Y. 10001**

*Primary Examiner*—Alan P. Douglas  
*Assistant Examiner*—S. Snapp  
*Attorney, Agent, or Firm*—Lerner, David, Eisenberg, Krumholz & Mentlik

[\*\*] Term: **14 Years**

[57] **CLAIM**

[21] Appl. No.: **16,594**

The ornamental design for a base for displaying or holding items, as shown and described.

[22] Filed: **Dec. 20, 1993**

[52] U.S. Cl. .... **D6/449**

**DESCRIPTION**

[58] Field of Search ..... D6/449, 450, 451, 467, D6/466, 469; D7/701-708; 248/126, 688, 127, 441.1, 346

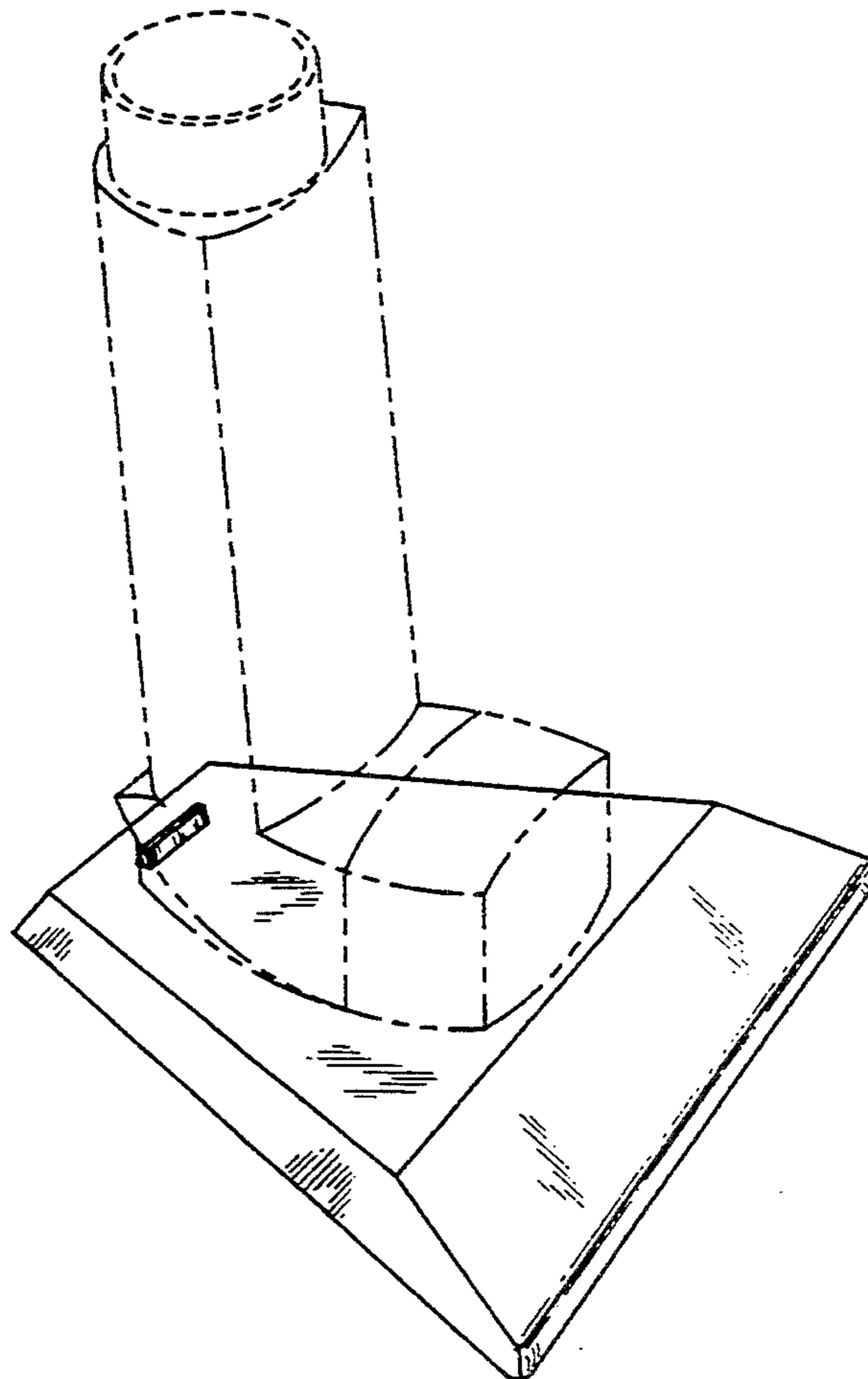
FIG. 1 is a perspective view of the base in accordance with my new design;  
FIG. 2 is a front elevational view thereof;  
FIG. 3 is a rear elevational view thereof;  
FIG. 4 is a side elevational view thereof;  
FIG. 5 is a bottom plan view thereof; and,  
FIG. 6 is a top plan view thereof.

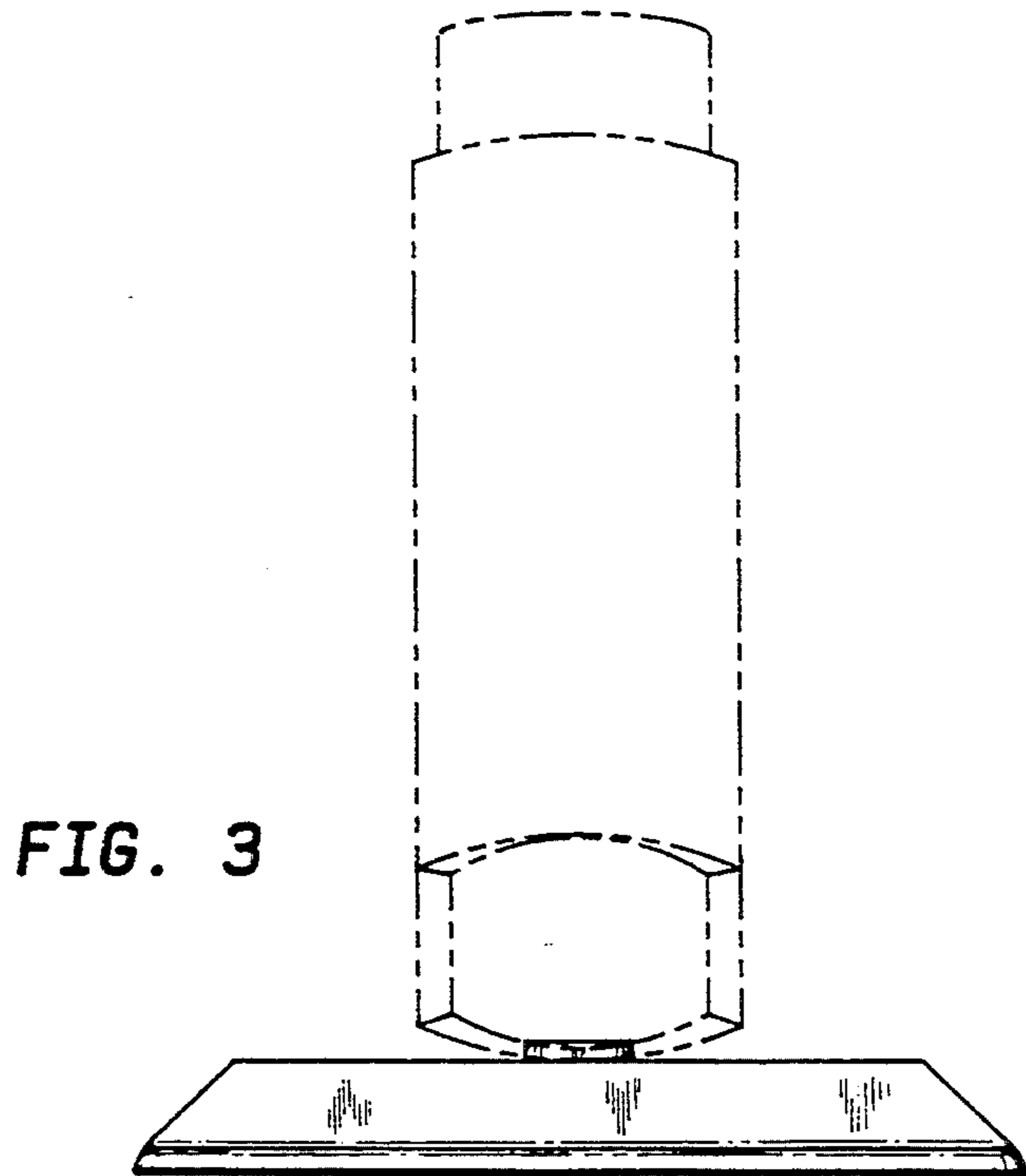
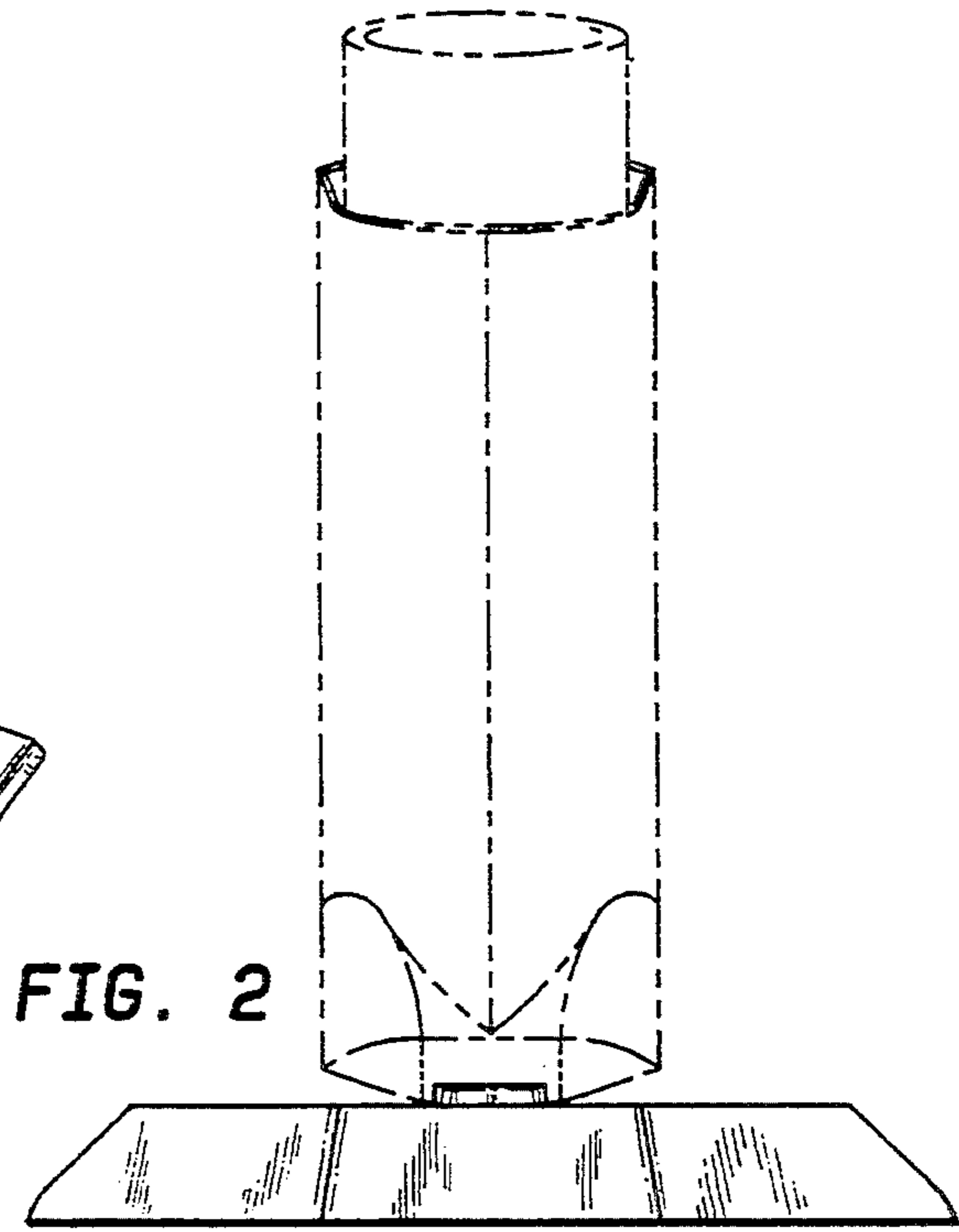
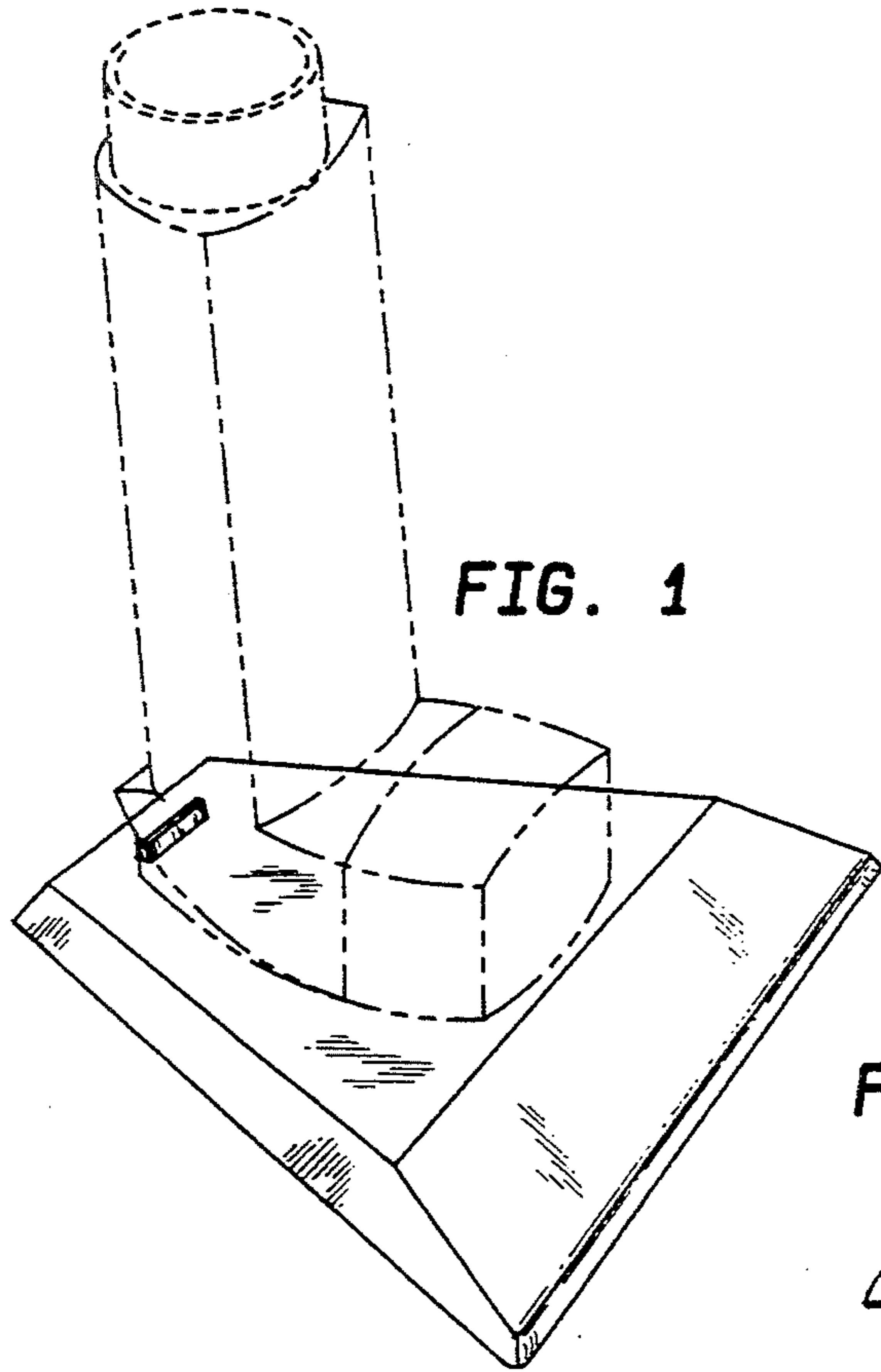
[56] **References Cited**

**U.S. PATENT DOCUMENTS**

D. 140,248	2/1945	Wemyss	.....	D6/466
D. 222,101	9/1971	Bagne	.....	D6/583
D. 260,472	9/1981	Turcotte, Jr.	.....	D7/708
D. 267,513	1/1983	Weigel et al.	.....	D24/183
D. 320,332	10/1991	Fetty	.....	D6/467 X
D. 332,711	1/1993	Olson	.....	D6/449
1,221,939	4/1917	Wirth	.....	248/688 X

The dashed line representations of a paperclip holder in the shape of a medicinal inhaler as shown in FIGS. 1-6 are for illustrative purposes only and do not form any part of the claimed design. In the preferred embodiment, the base is used as a promotional item for pharmaceutical and medical devices.





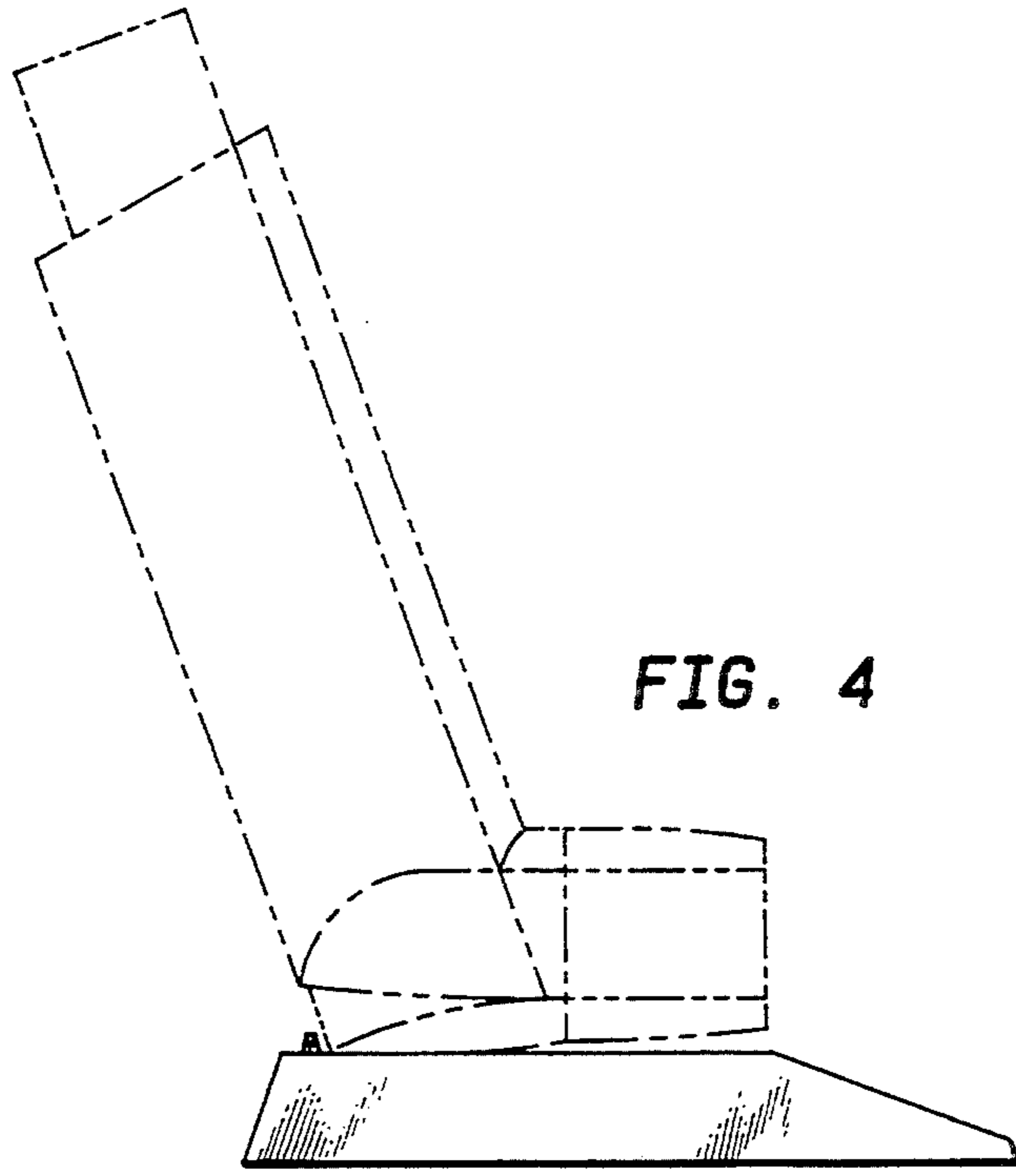


FIG. 4

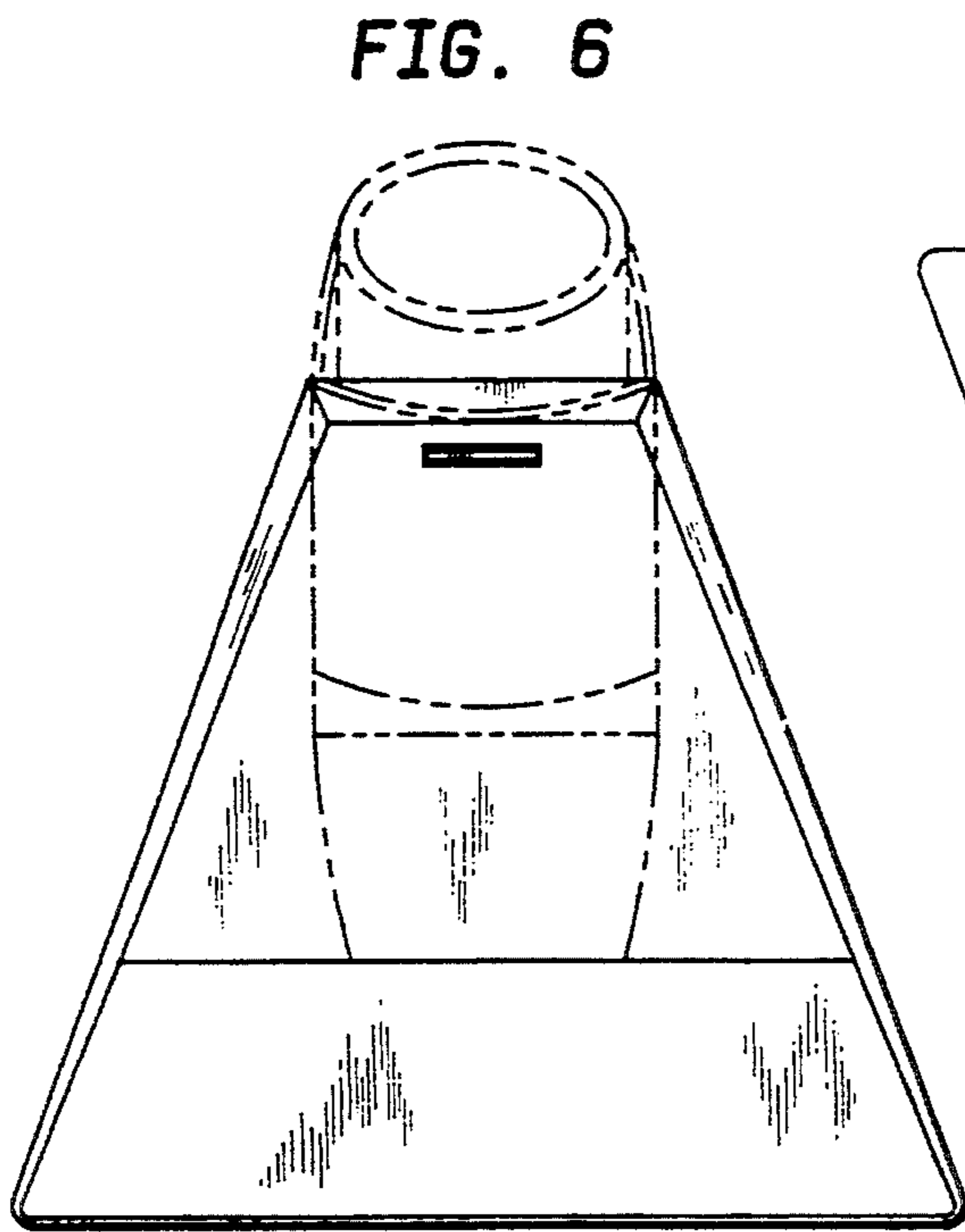


FIG. 6

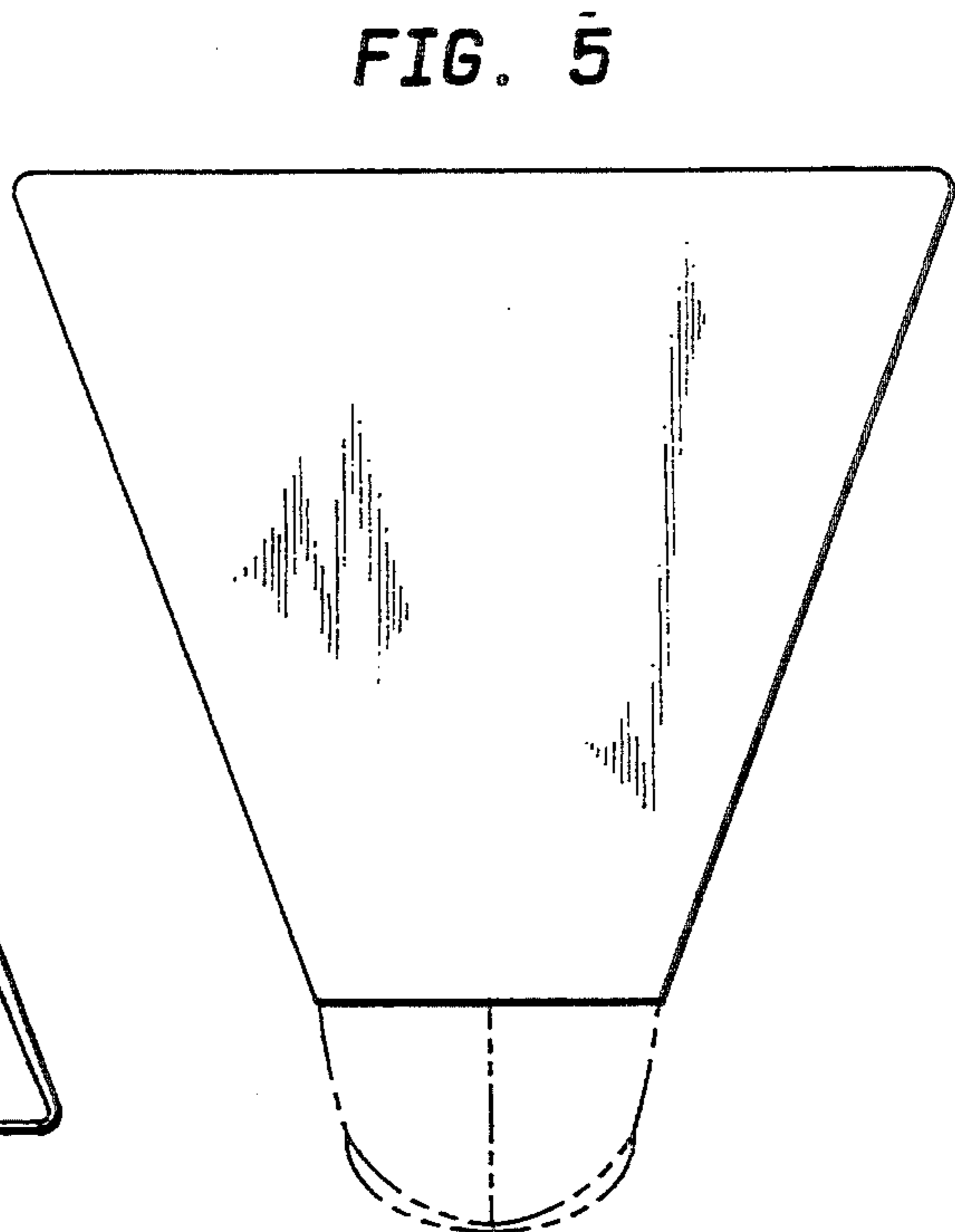


FIG. 5