



US00D357602S

United States Patent [19]

[11] Patent Number: **Des. 357,602**

Brunner et al.

[45] Date of Patent: **** Apr. 25, 1995**

[54] DRESSER

DESCRIPTION

[75] Inventors: **Merlin A. Brunner**, Appleton;
Harvey J. Draheim, Weyauwega,
both of Wis.

[73] Assignee: **Simmons Juvenile Products
Company, Inc.**, New London, Wis.

[**] Term: **14 Years**

[21] Appl. No.: **3,887**

[22] Filed: **Jan. 21, 1993**

[52] U.S. Cl. **D6/446**

[58] Field of Search **D6/432-448;**
312/204, 257

FIG. 1 is a front perspective view of a dresser showing our new design;

FIG. 2 is a top plan view thereof;

FIG. 3 is a front elevation view thereof;

FIG. 4 is a side elevational view thereof, the opposite side being a mirror image thereof;

FIG. 5 is a bottom plan view thereof;

FIG. 6 is a rear elevational view thereof;

FIG. 7 is an enlarged sectional view taken through line 7-7 of FIG. 3; and,

FIG. 8 is an enlarged sectional view taken through line 8-8 of FIG. 3;

FIG. 9 is an enlarged sectional view taken through line 9-9 of FIG. 3;

FIG. 10 is an enlarged front perspective view of a bottom corner of the dresser;

FIG. 11 is a front perspective view of an alternative embodiment of a dresser showing our new design;

FIG. 12 is a side elevational view thereof, the opposite side being a mirror image thereof;

FIG. 13 is a front elevation view thereof;

FIG. 14 is a top plan view thereof;

FIG. 15 is a bottom plan view thereof;

FIG. 16 is a rear elevational view thereof;

FIG. 17 is an enlarged sectional view taken through line 17-17 of FIG. 13;

FIG. 18 is an enlarged sectional view taken through line 18-18 of FIG. 13;

FIG. 19 is an enlarged sectional view taken through line 19-19 of FIG. 13; and,

FIG. 20 is an enlarged front perspective view of a bottom corner thereof.

[56] References Cited

U.S. PATENT DOCUMENTS

D. 141,374	5/1945	Miller	D6/446
D. 177,177	3/1956	Herrmann	D6/446
D. 222,080	9/1971	Carlson	D6/446
D. 243,901	4/1977	Carter	D6/446
D. 272,210	1/1984	Brunner et al.	D6/446
D. 274,963	8/1984	Brunner et al.	D6/446
D. 327,995	7/1992	Brunner et al.	D6/446
D. 331,335	12/1992	Zapf	D6/446
D. 346,712	5/1994	Brunner et al.	D6/446
D. 348,574	7/1994	Brunner et al.	D6/446

Primary Examiner—Carmen H. Vales-Lado
Attorney, Agent, or Firm—Hoffmann & Baron

[57] CLAIM

The ornamental design for a dresser, as shown and described.

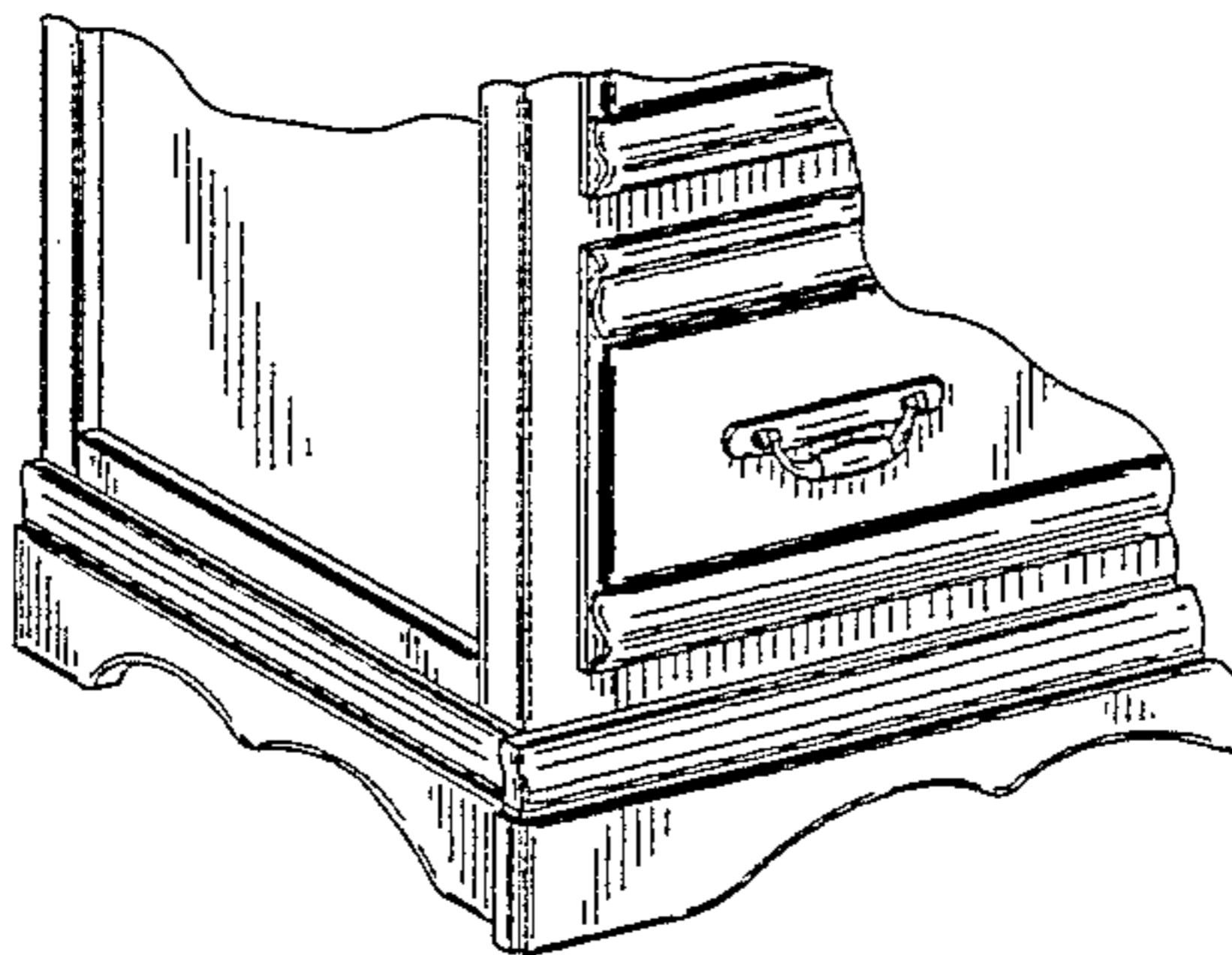
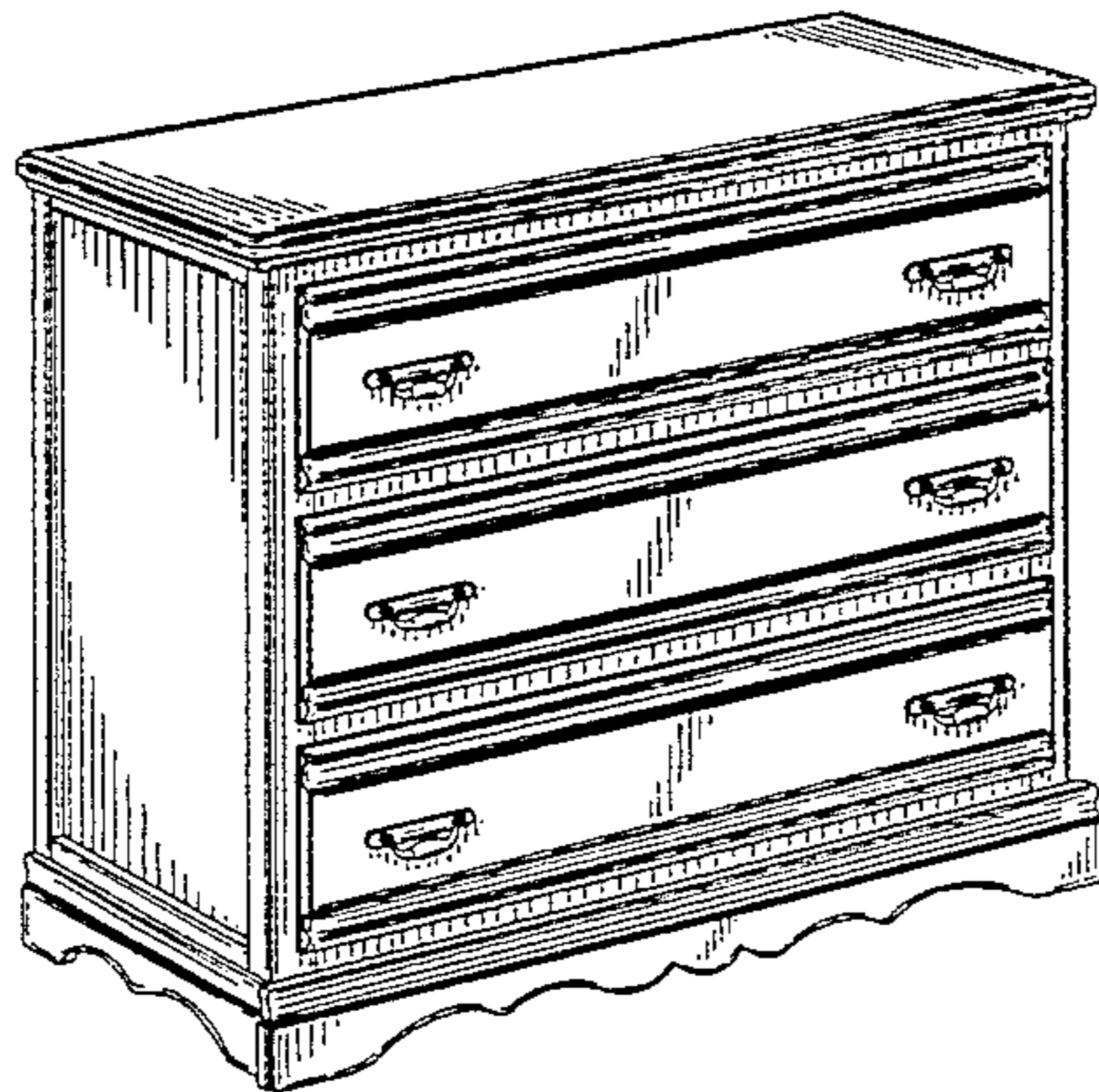


FIG-1

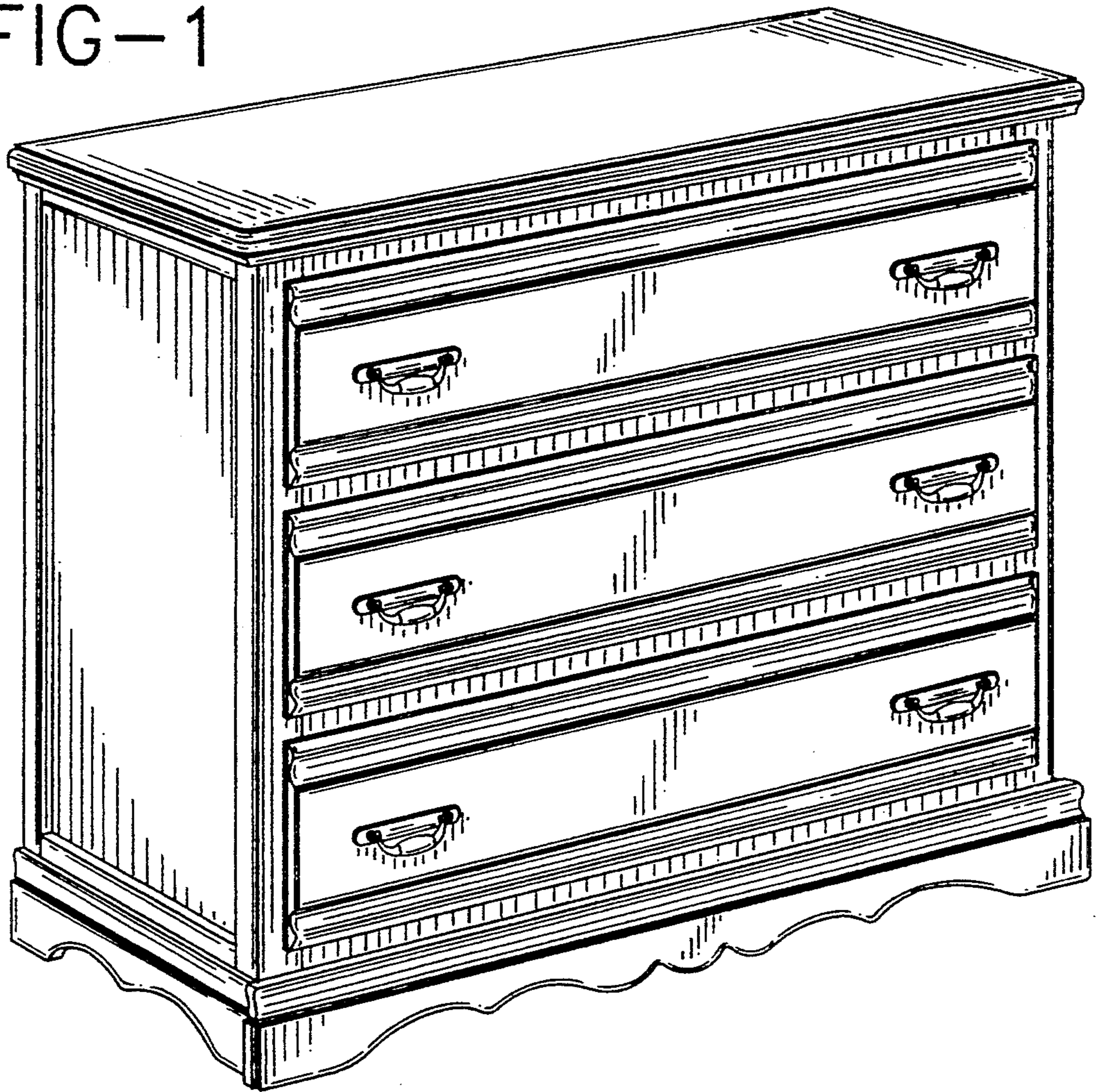
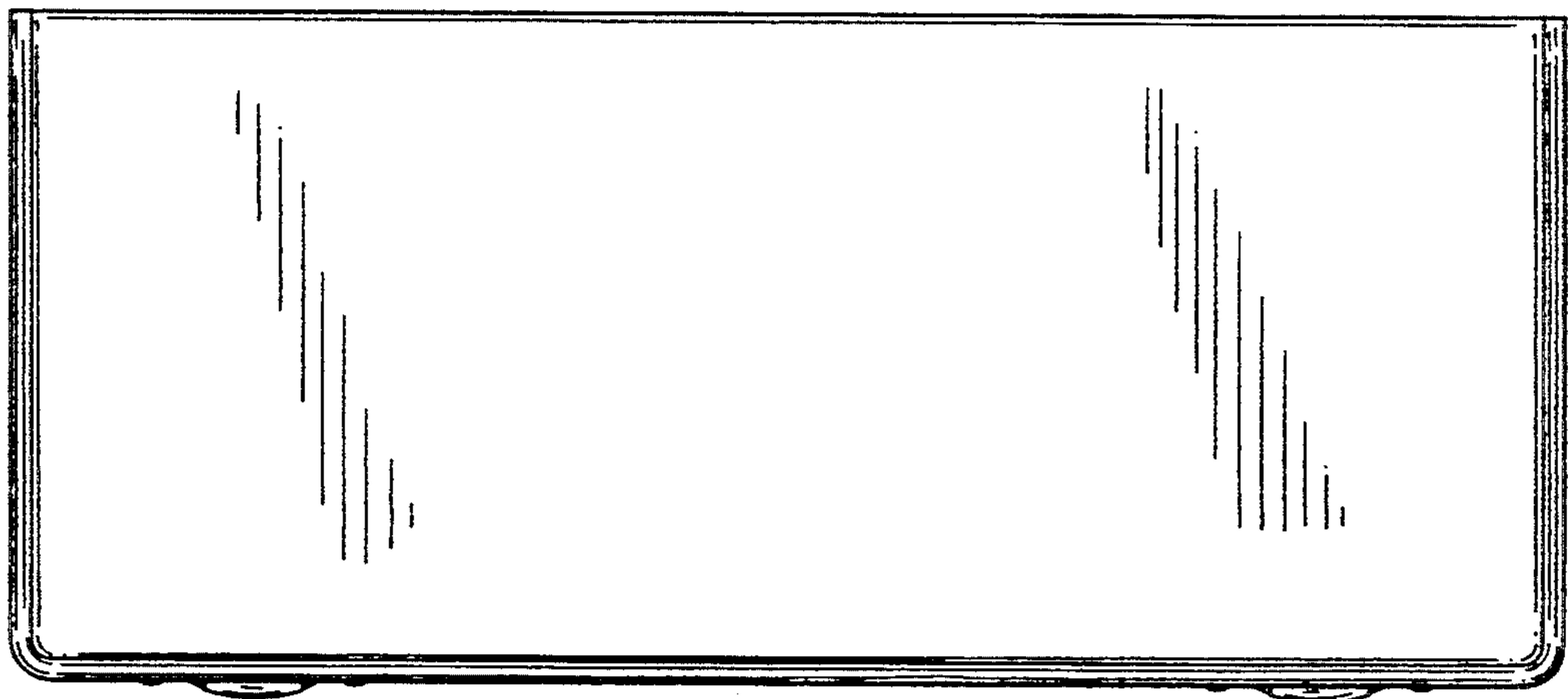


FIG-2



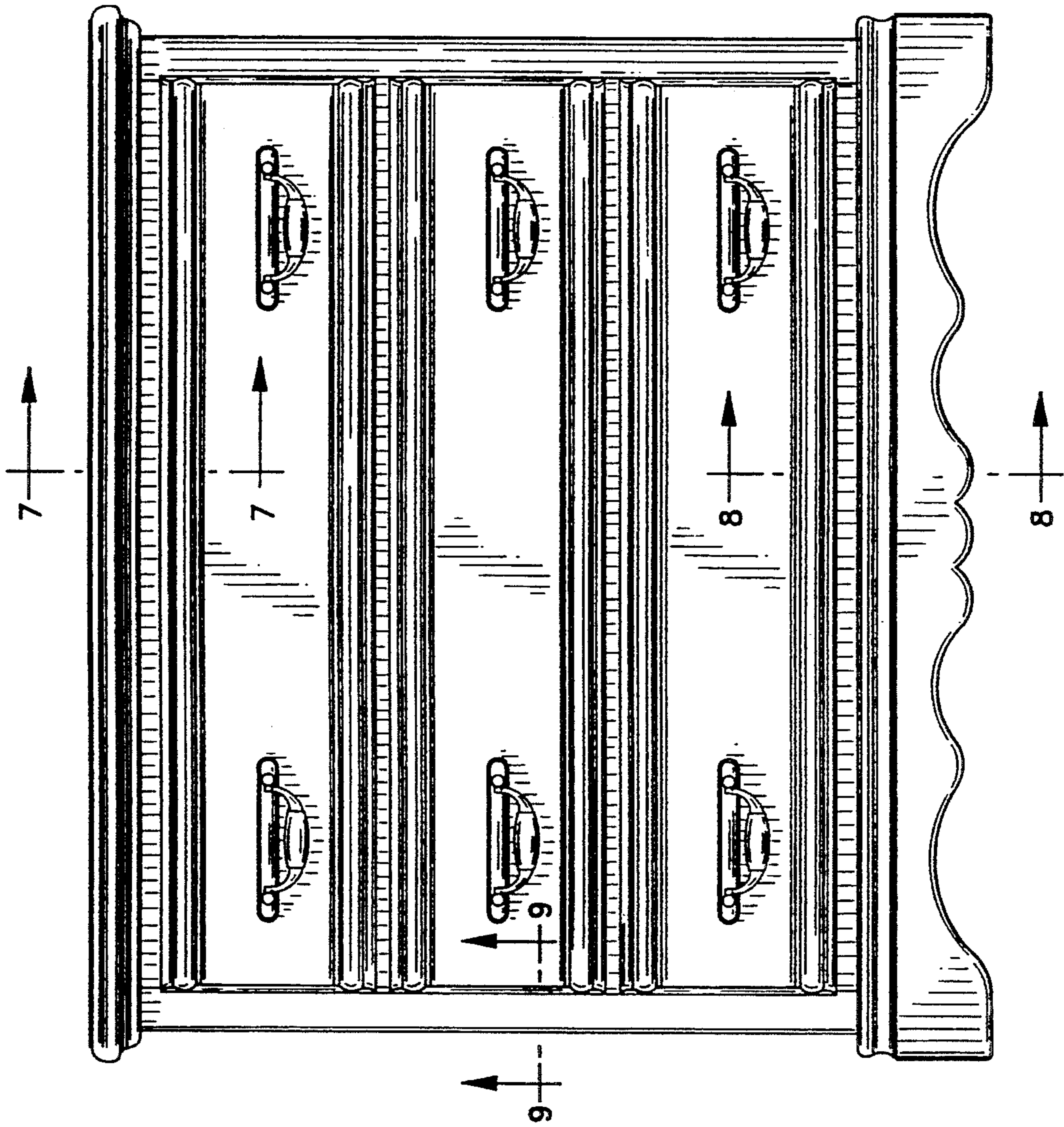


FIG-3

FIG-4

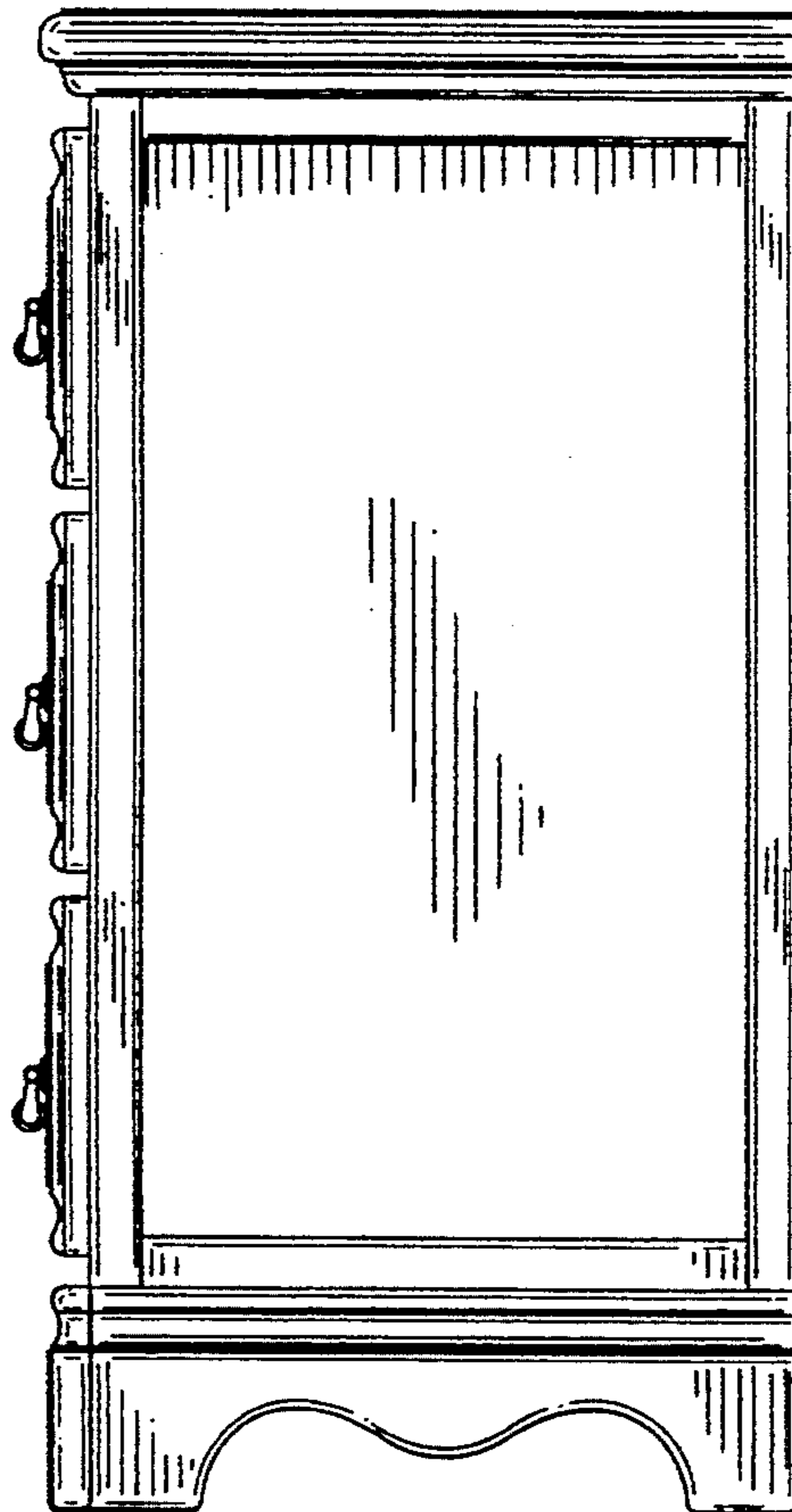


FIG-5

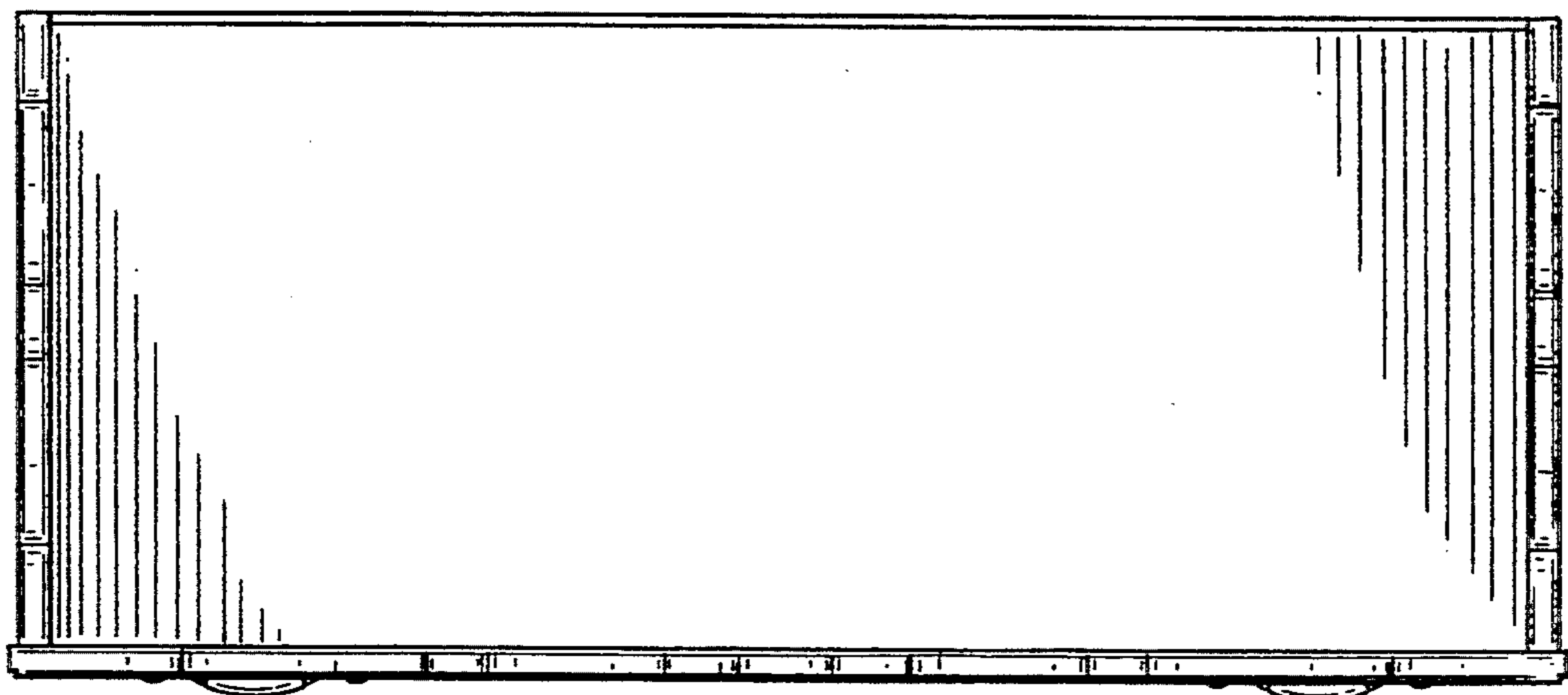


FIG-6

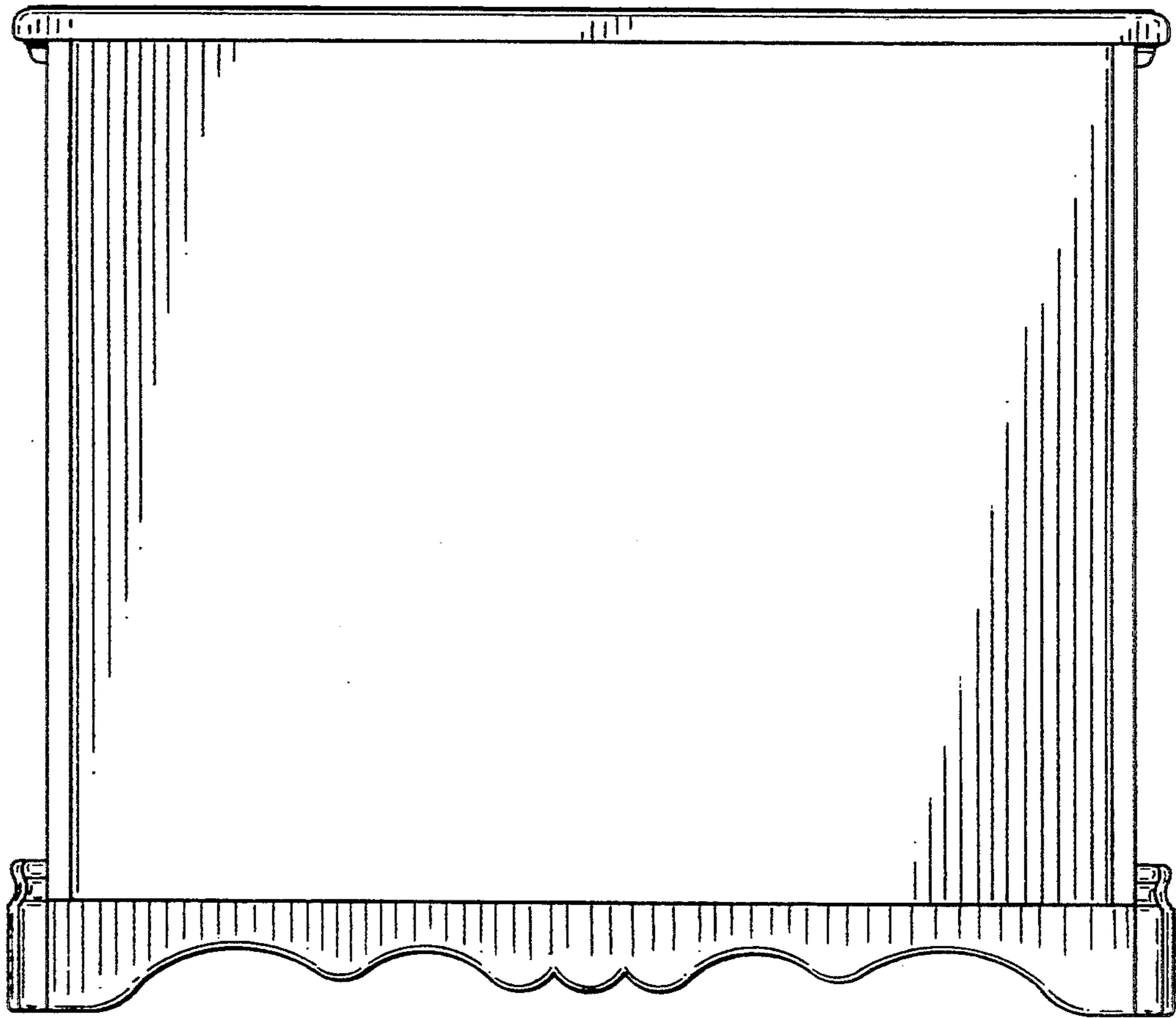


FIG-7

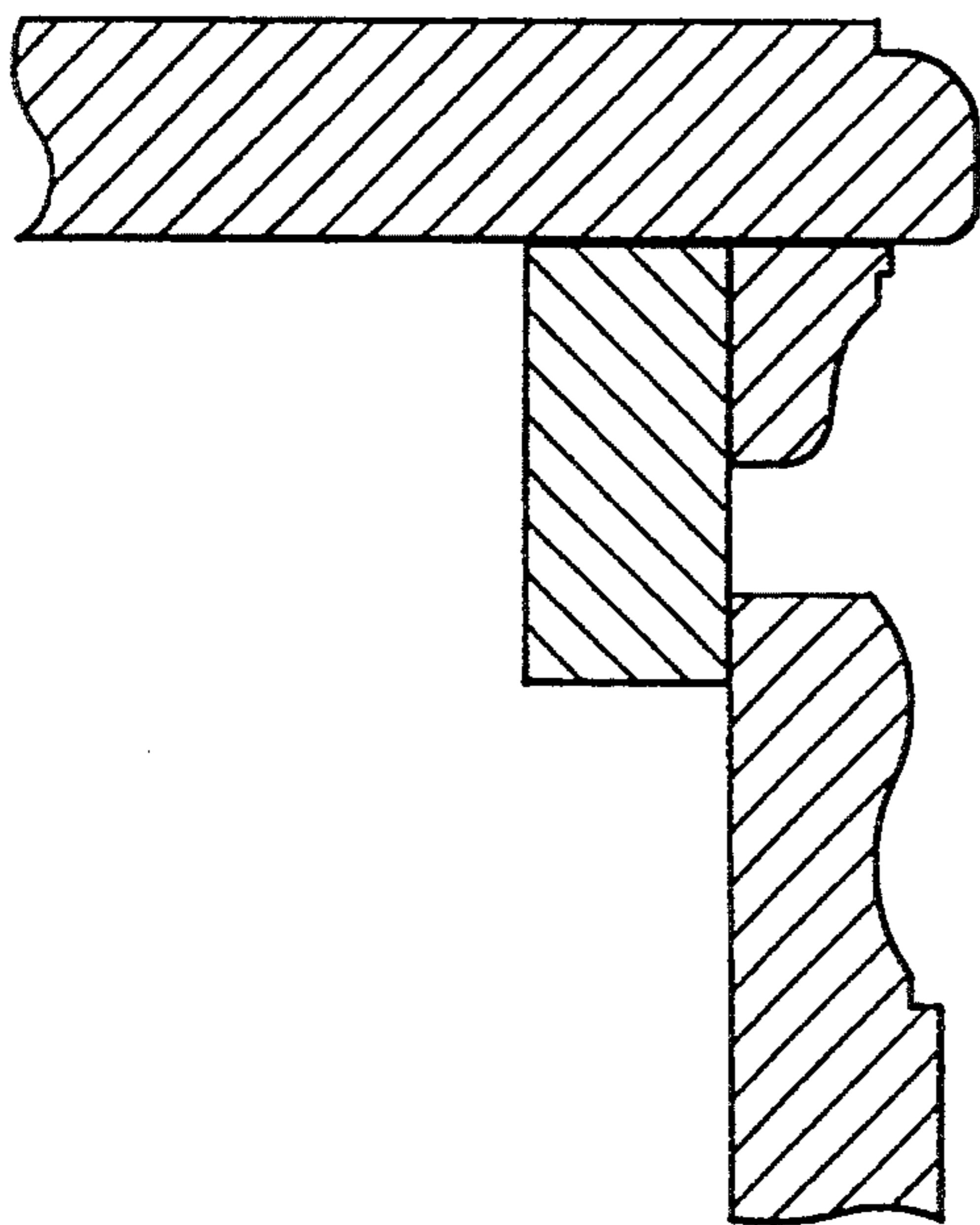


FIG-8

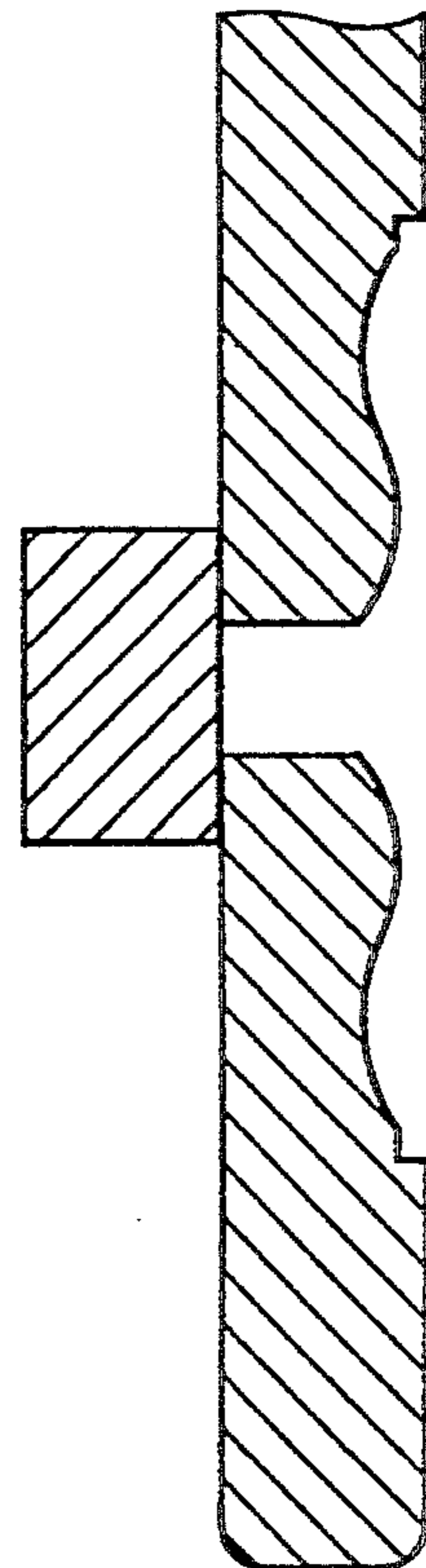


FIG-9

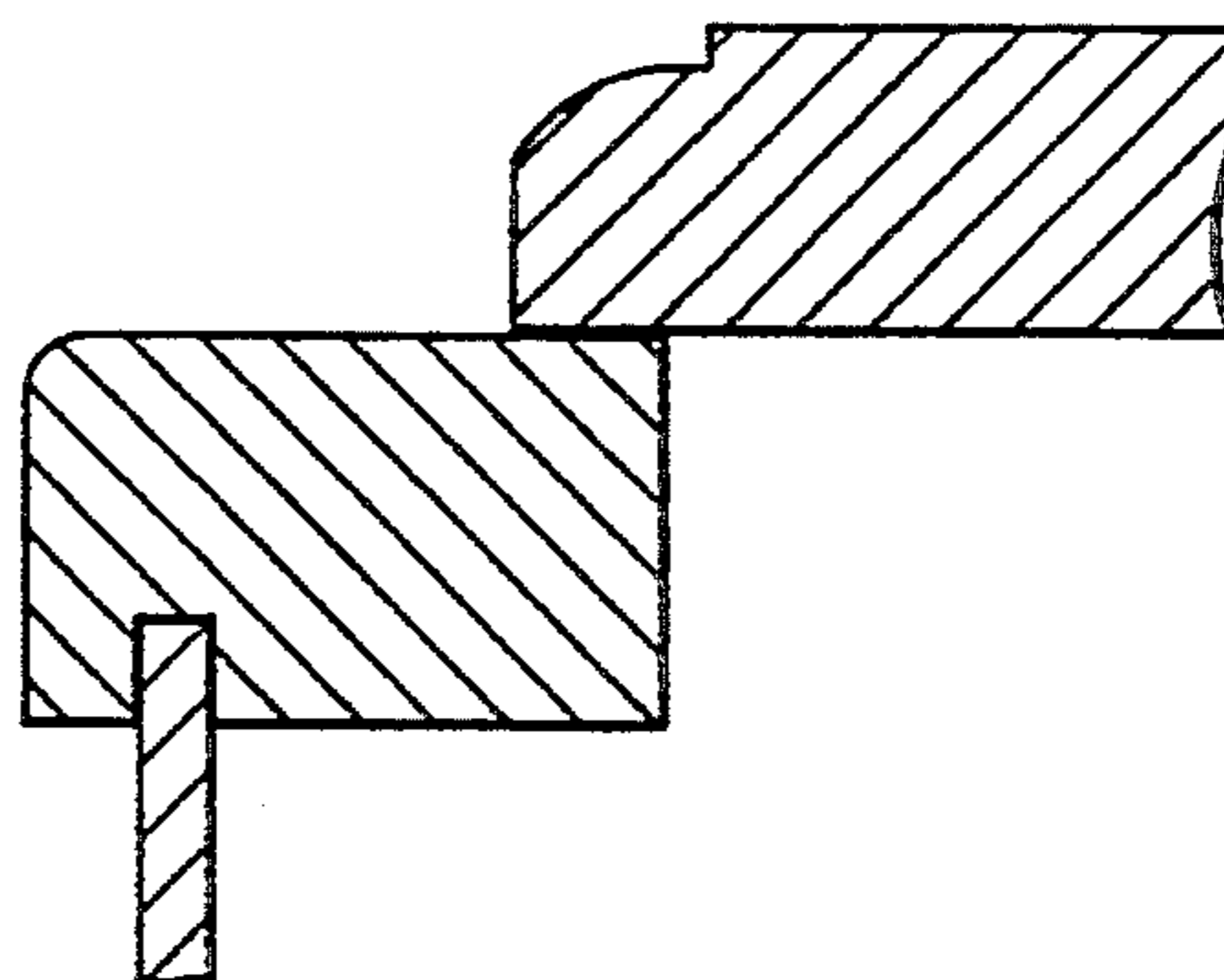


FIG-10

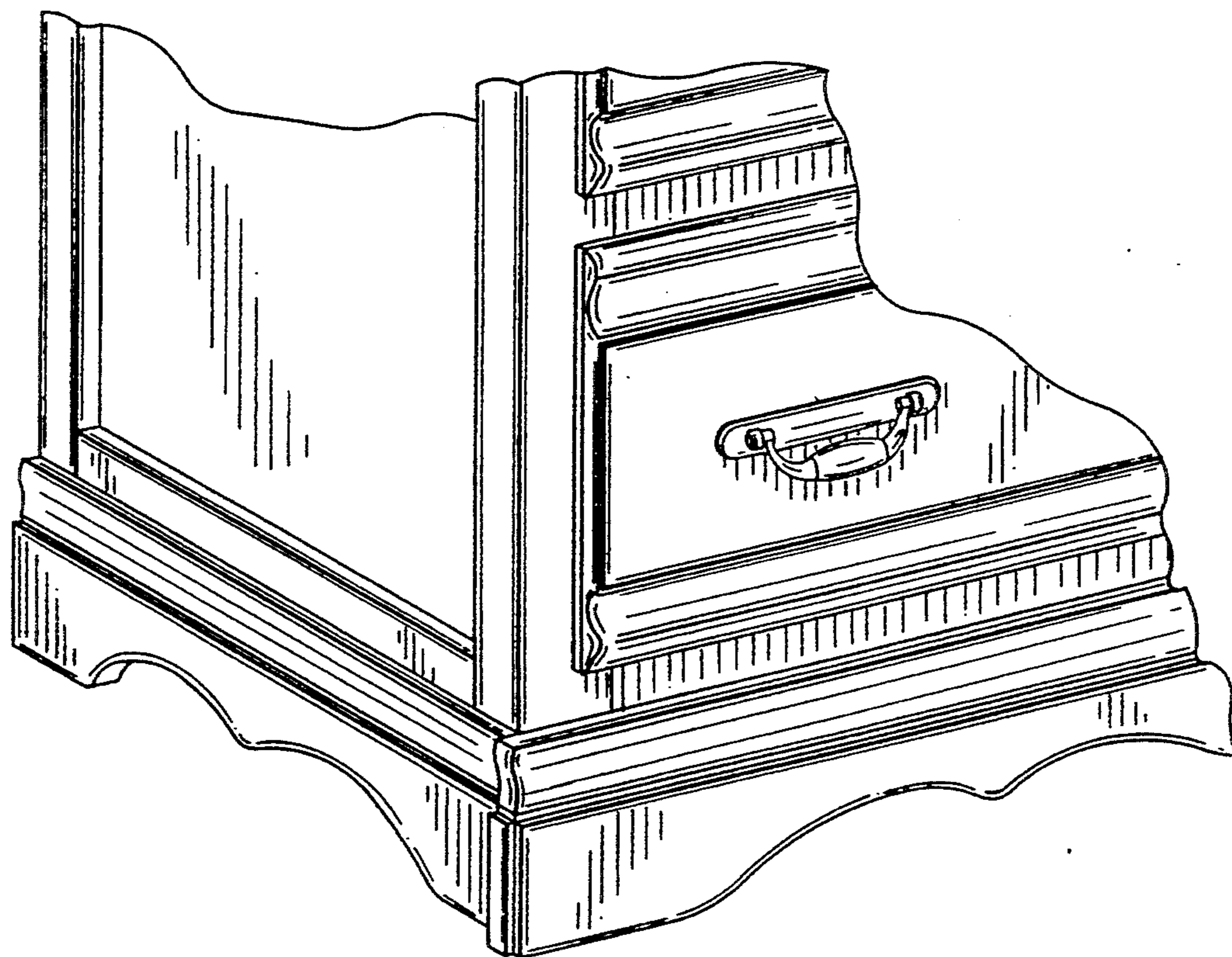


FIG-11

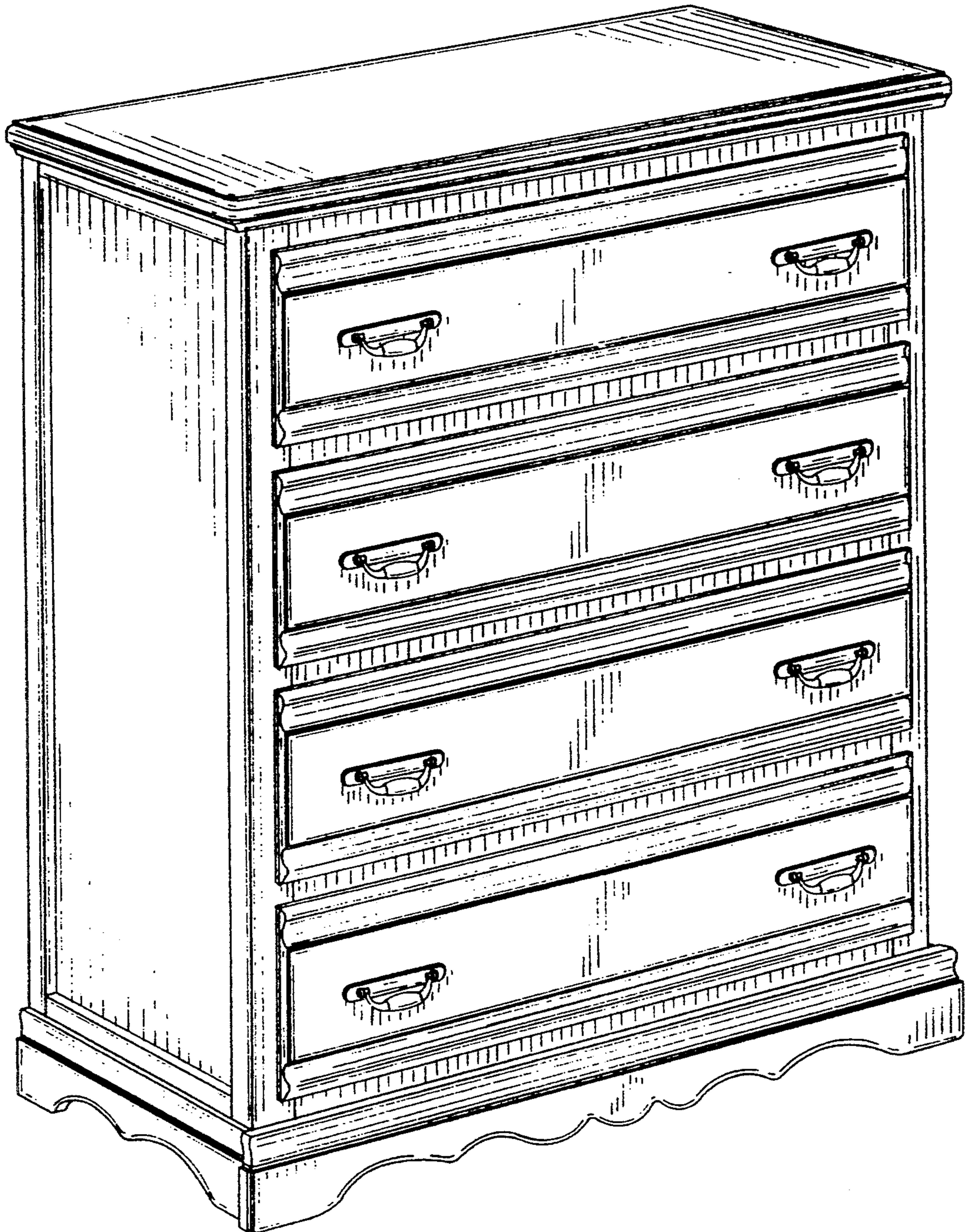


FIG-12

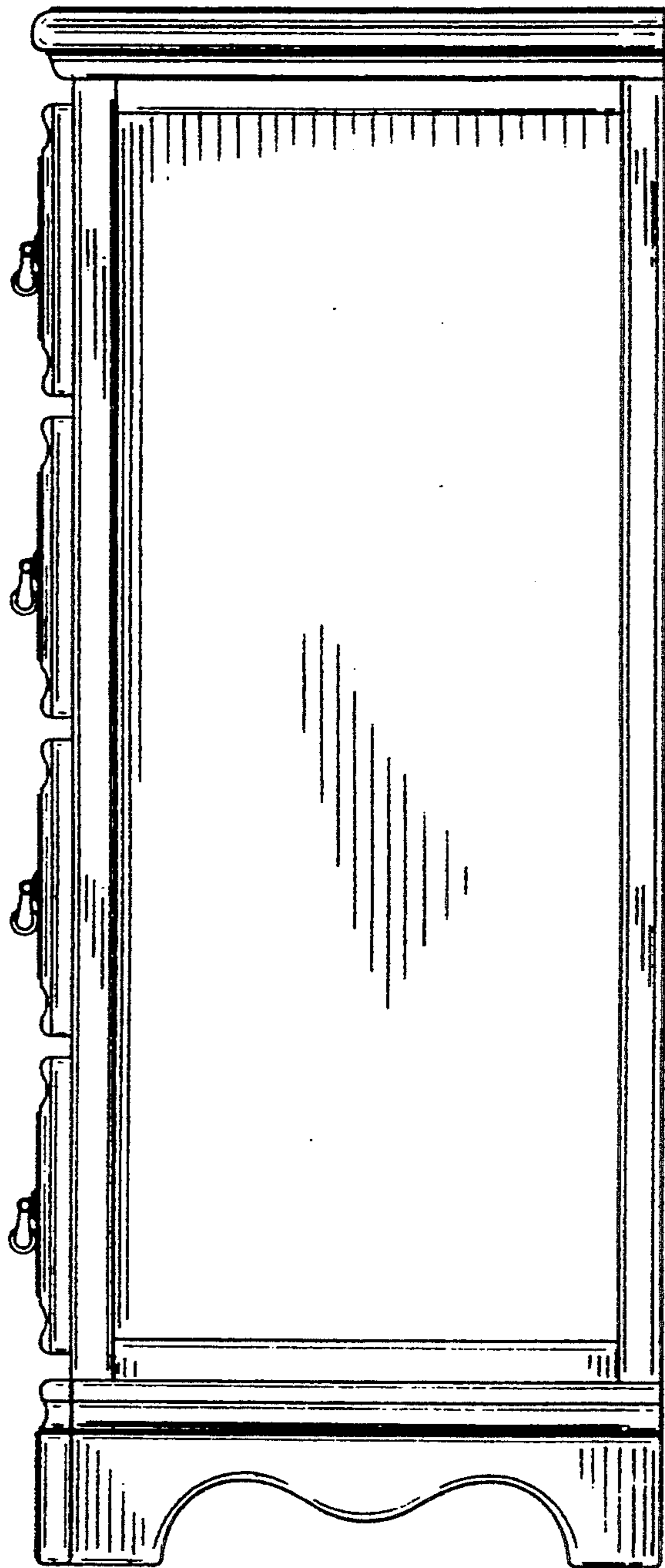


FIG-13

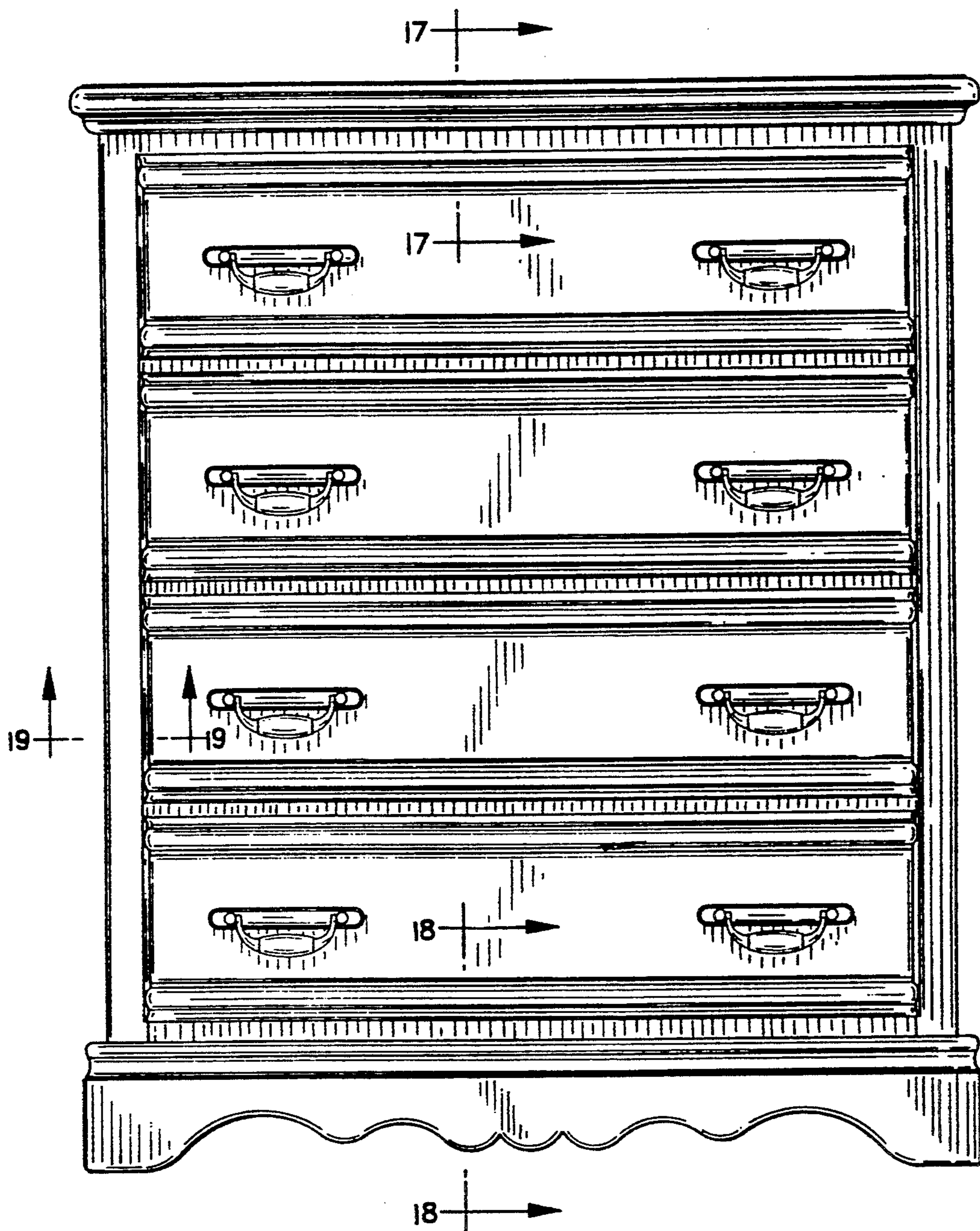


FIG-14

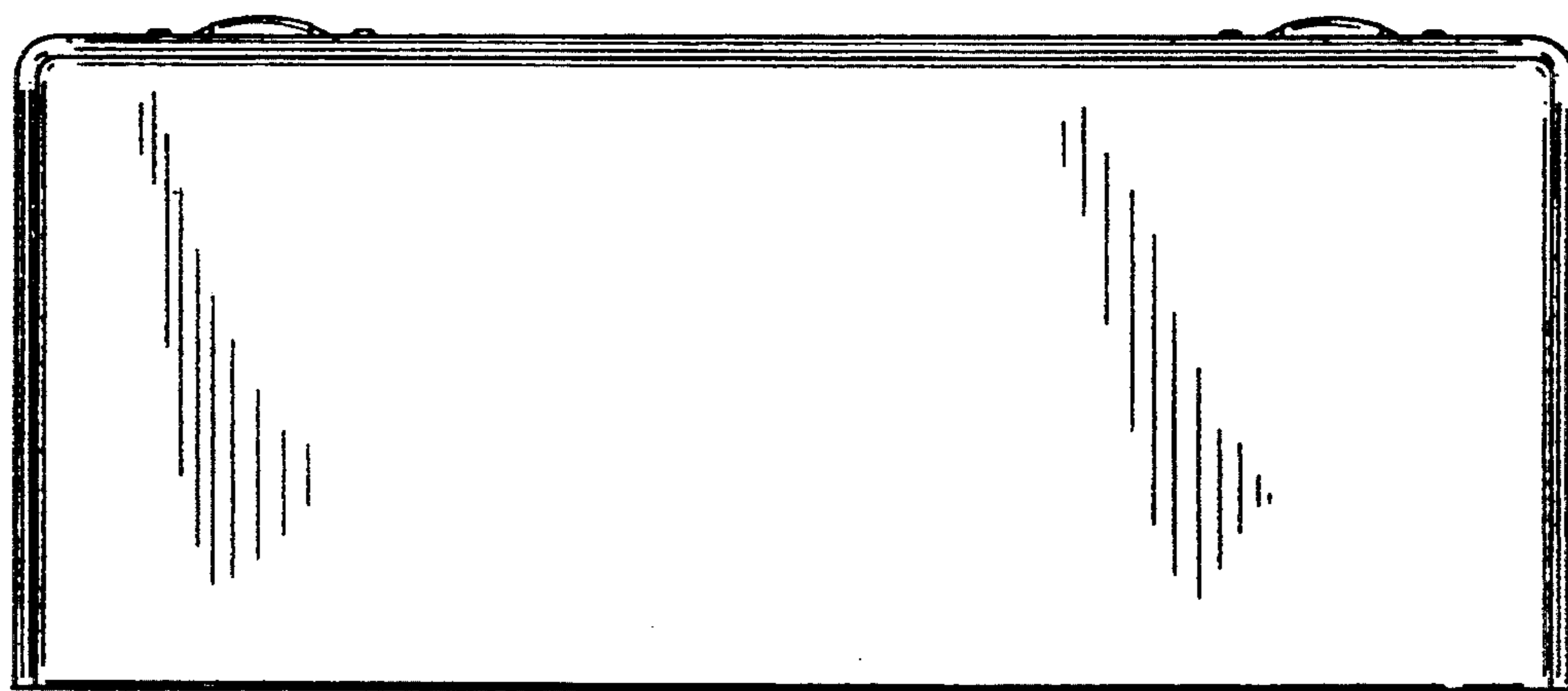


FIG-15

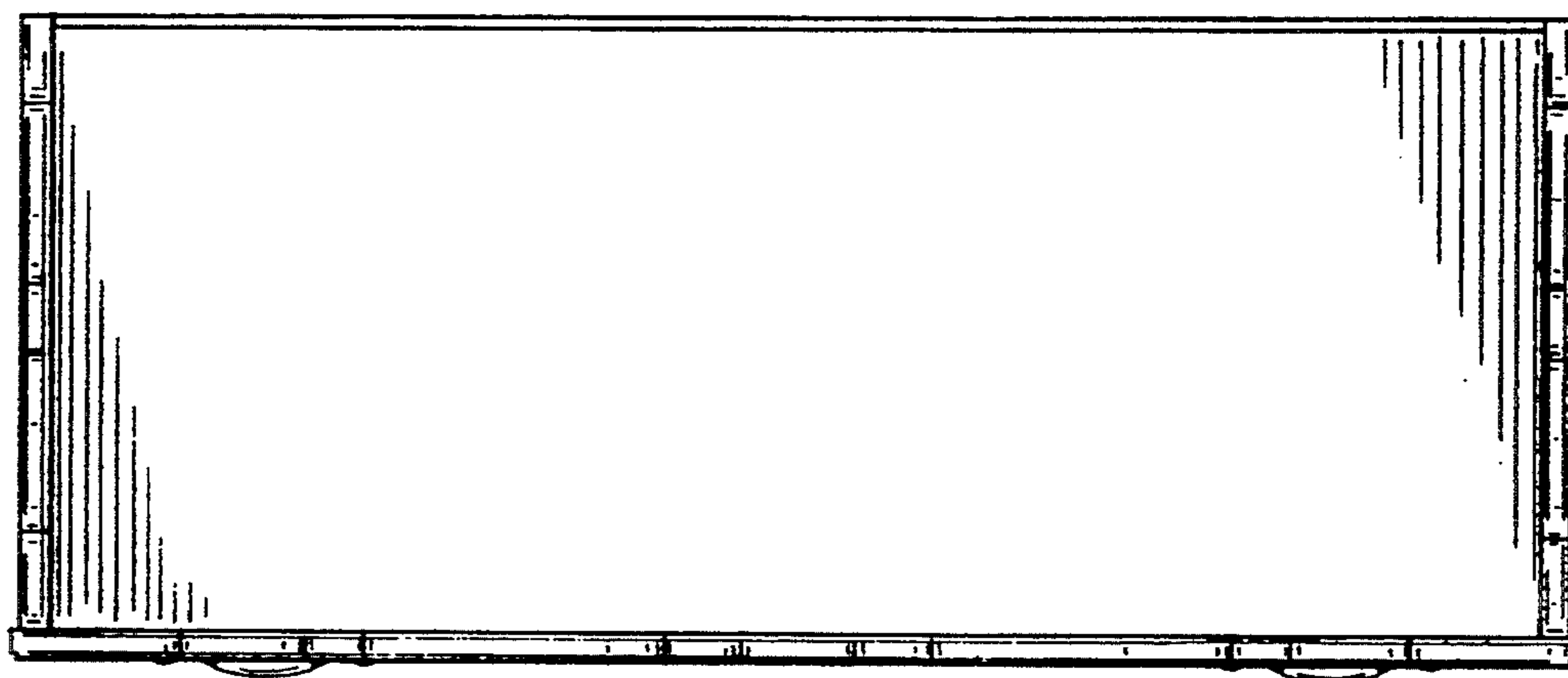


FIG-16

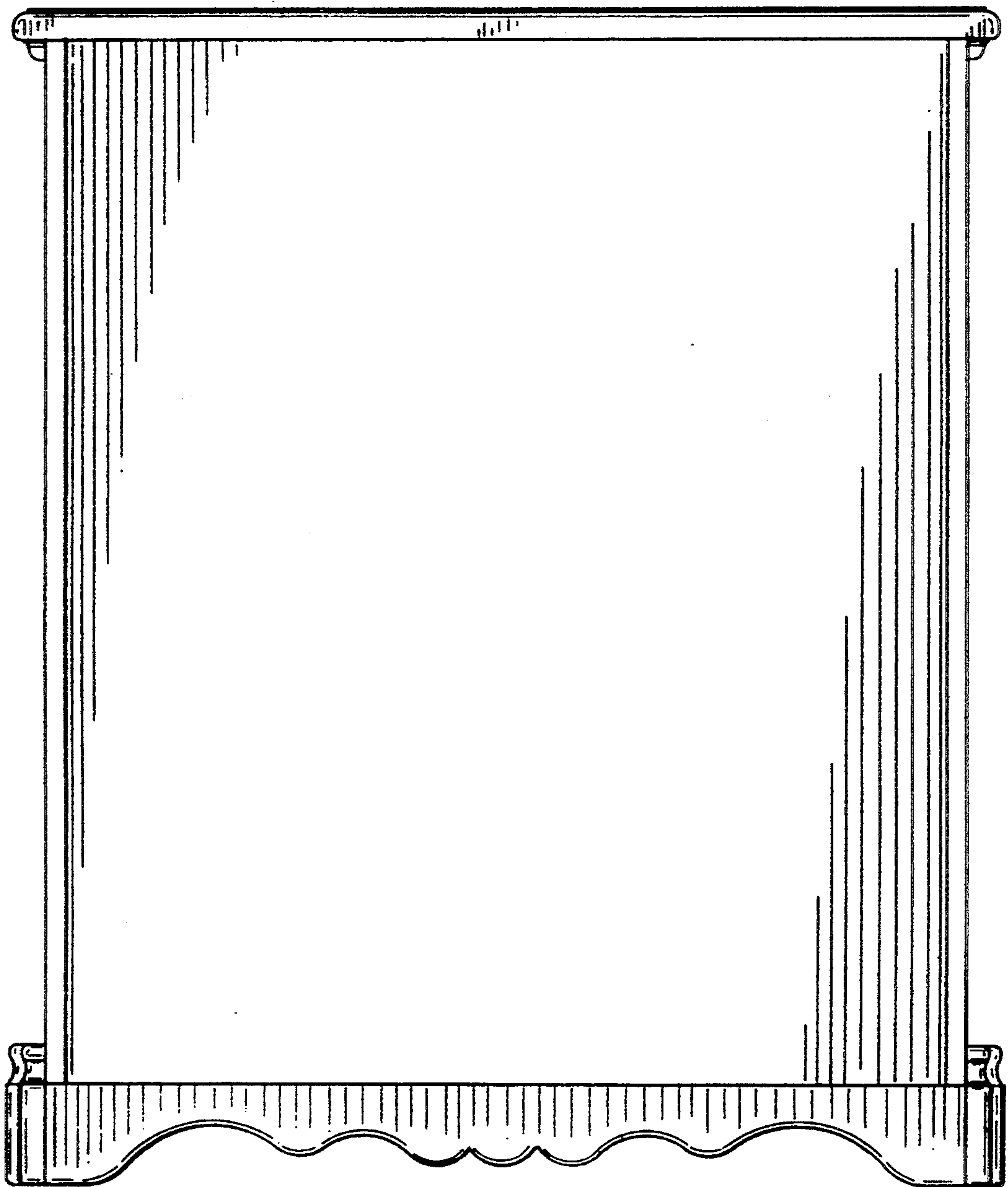


FIG-17

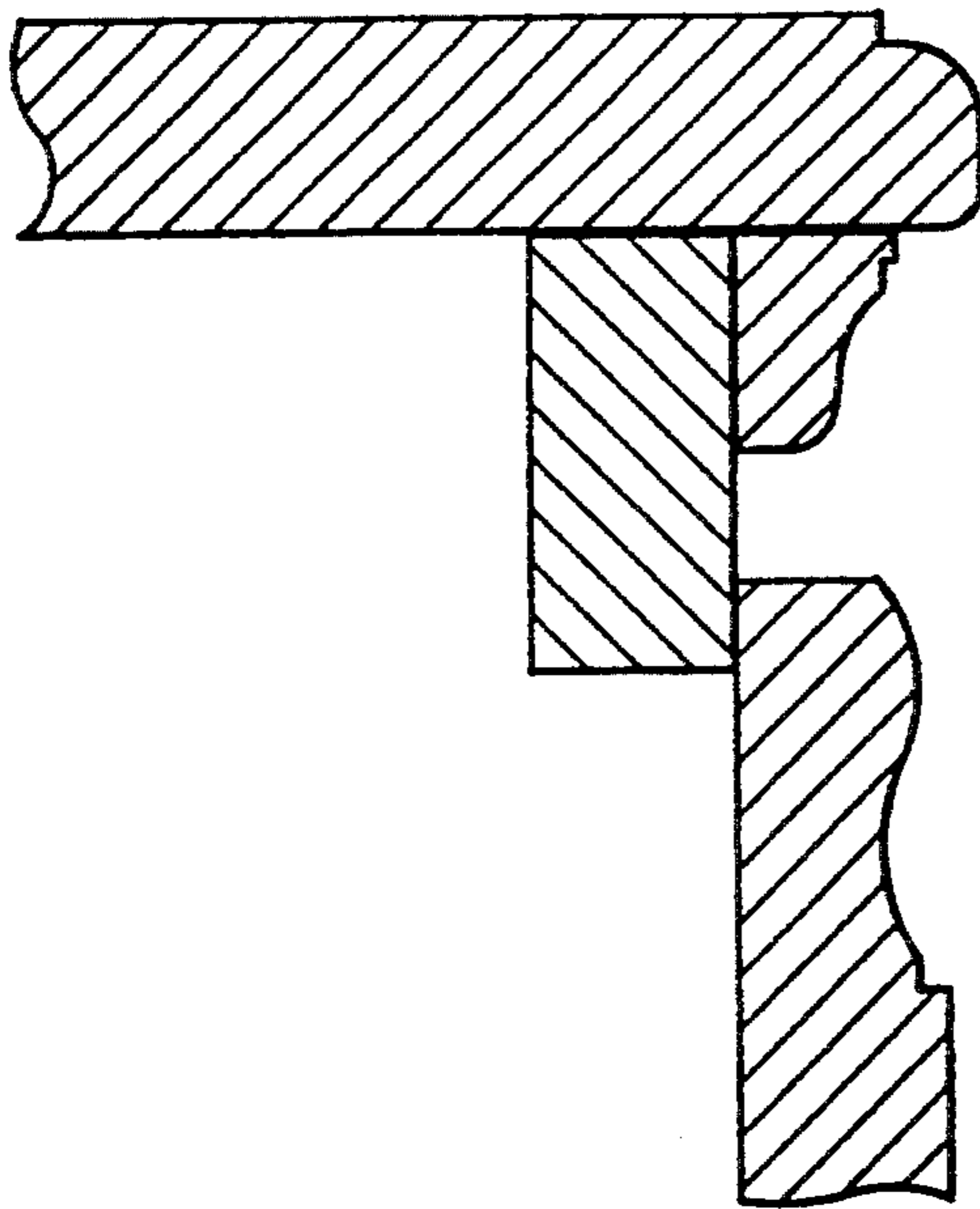


FIG-18

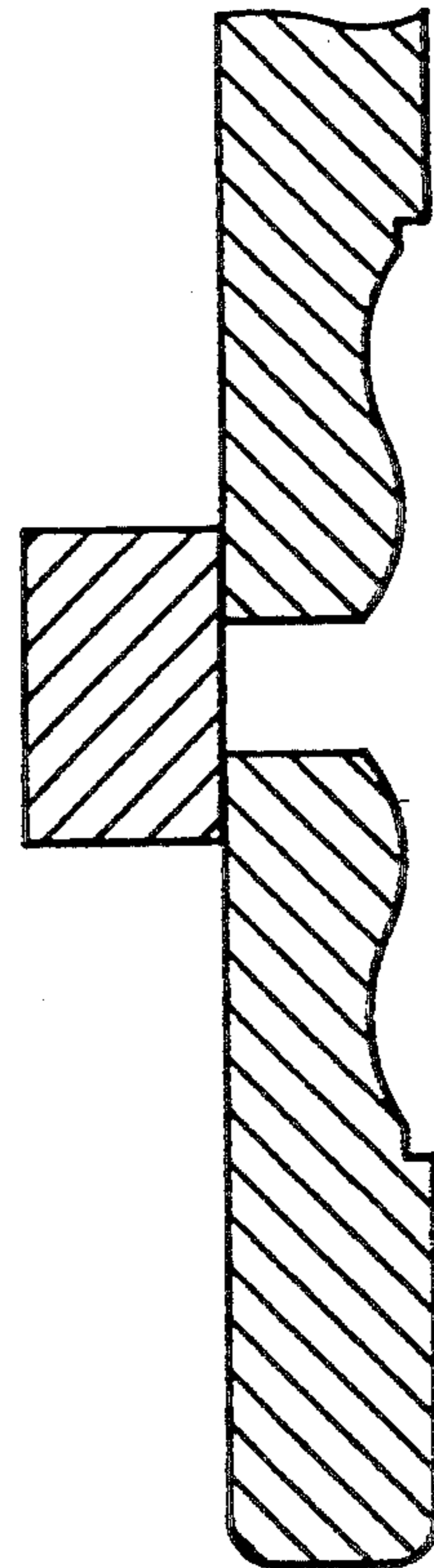


FIG-19

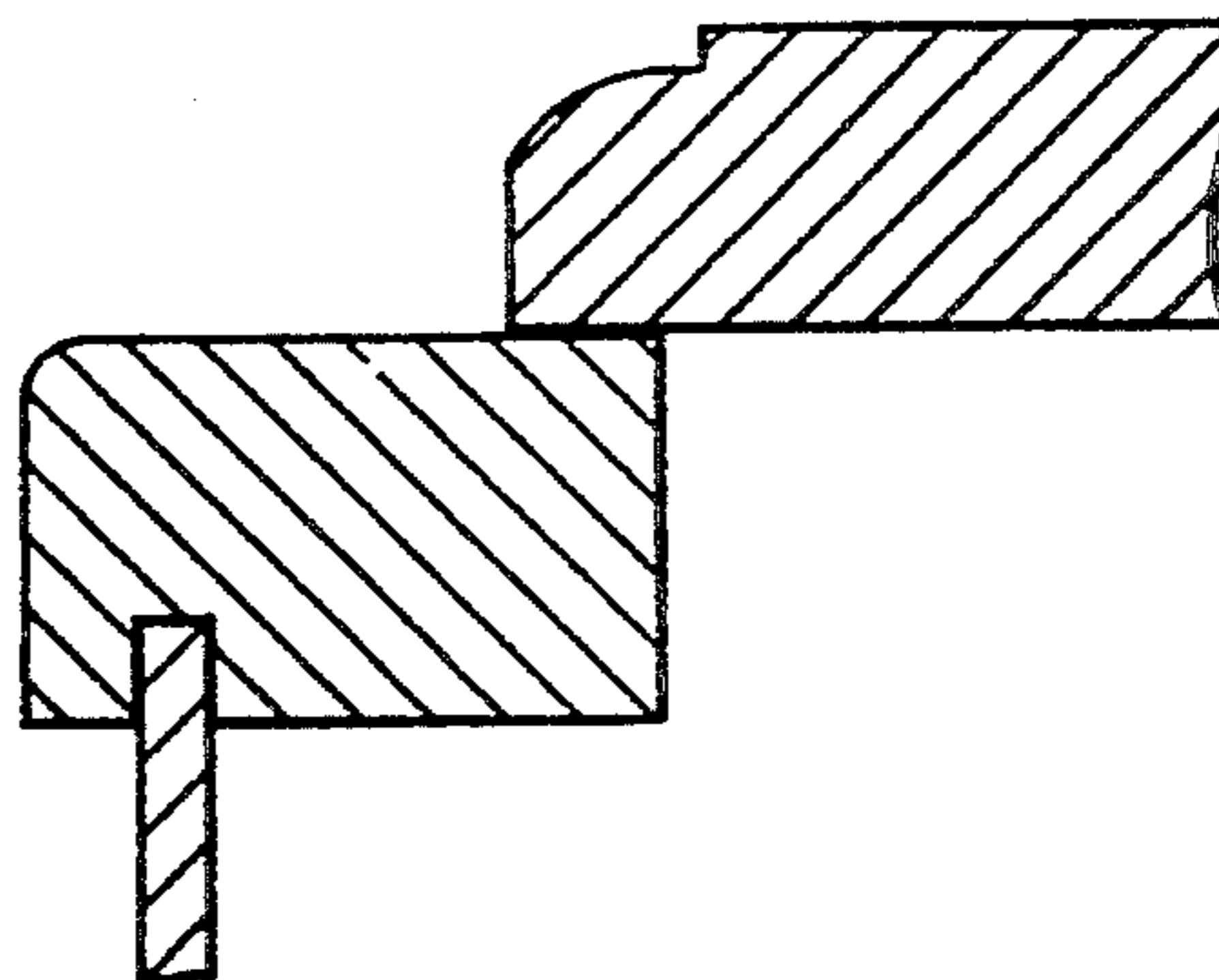


FIG-20

