



US00D357601S

United States Patent [19]

[11] Patent Number: **Des. 357,601**

Brunner et al.

[45] Date of Patent: **** Apr. 25, 1995**

[54] **DOUBLE DRESSER**

[75] Inventors: **Merlin A. Brunner**, Appleton;
Harvey J. Draheim, Weyauwega,
both of Wis.

[73] Assignee: **Simmons Juvenile Products
Company, Inc.**, New London, Wis.

[**] Term: **14 Years**

[21] Appl. No.: **3,886**

[22] Filed: **Jan. 21, 1993**

[52] U.S. Cl. **D6/446**

[58] Field of Search **D6/432-448;**
312/204, 257

[56] **References Cited**

U.S. PATENT DOCUMENTS

D. 141,376	5/1945	Miller	D6/446
D. 158,431	5/1950	Bevelacqua	D6/446
D. 176,404	12/1955	Carr	D6/446
D. 176,411	12/1955	Herrmann	D6/446
D. 184,131	12/1958	Lubberts et al.	D6/446
D. 193,717	10/1962	Deaton	D6/446
D. 346,712	5/1994	Brunner et al.	D6/446

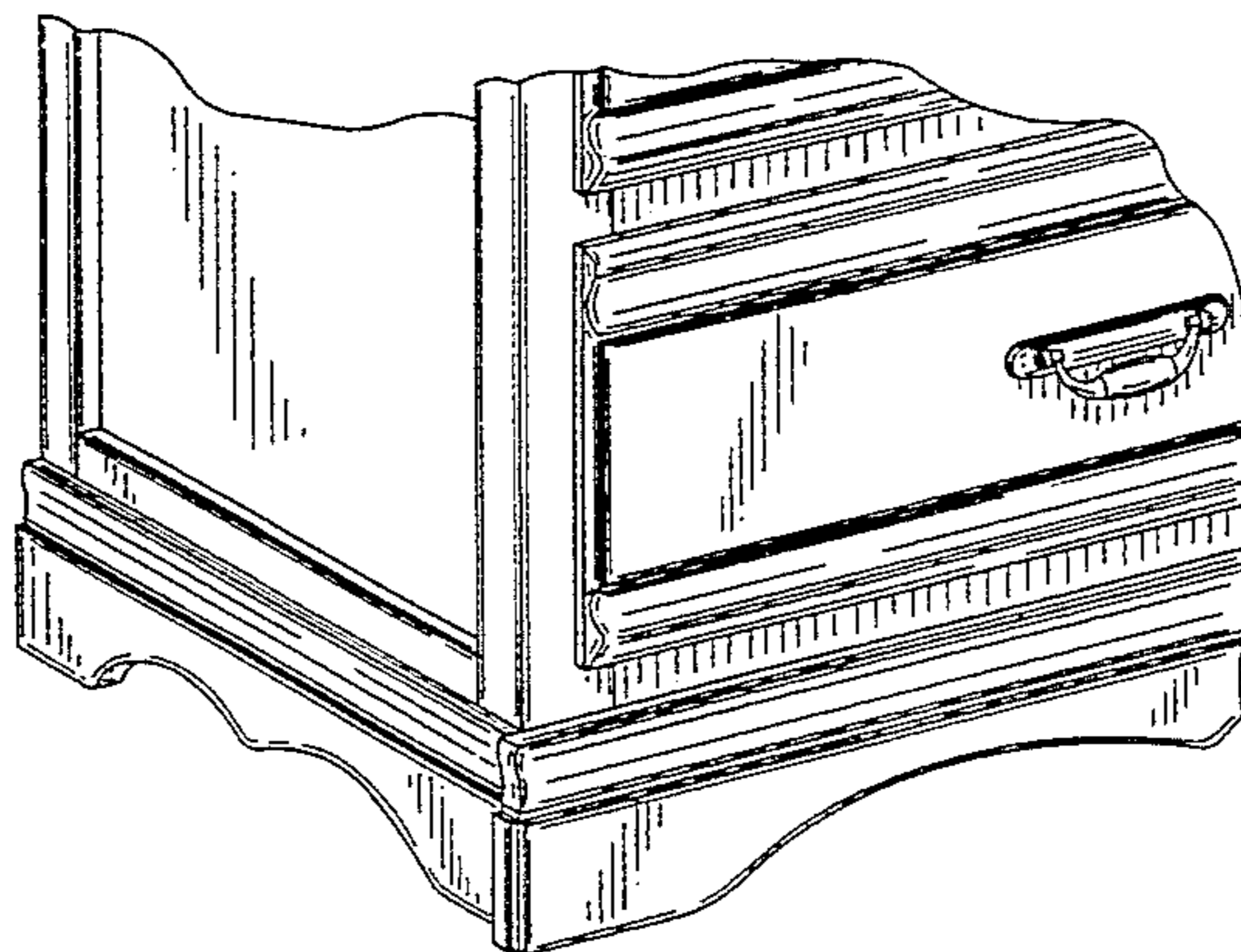
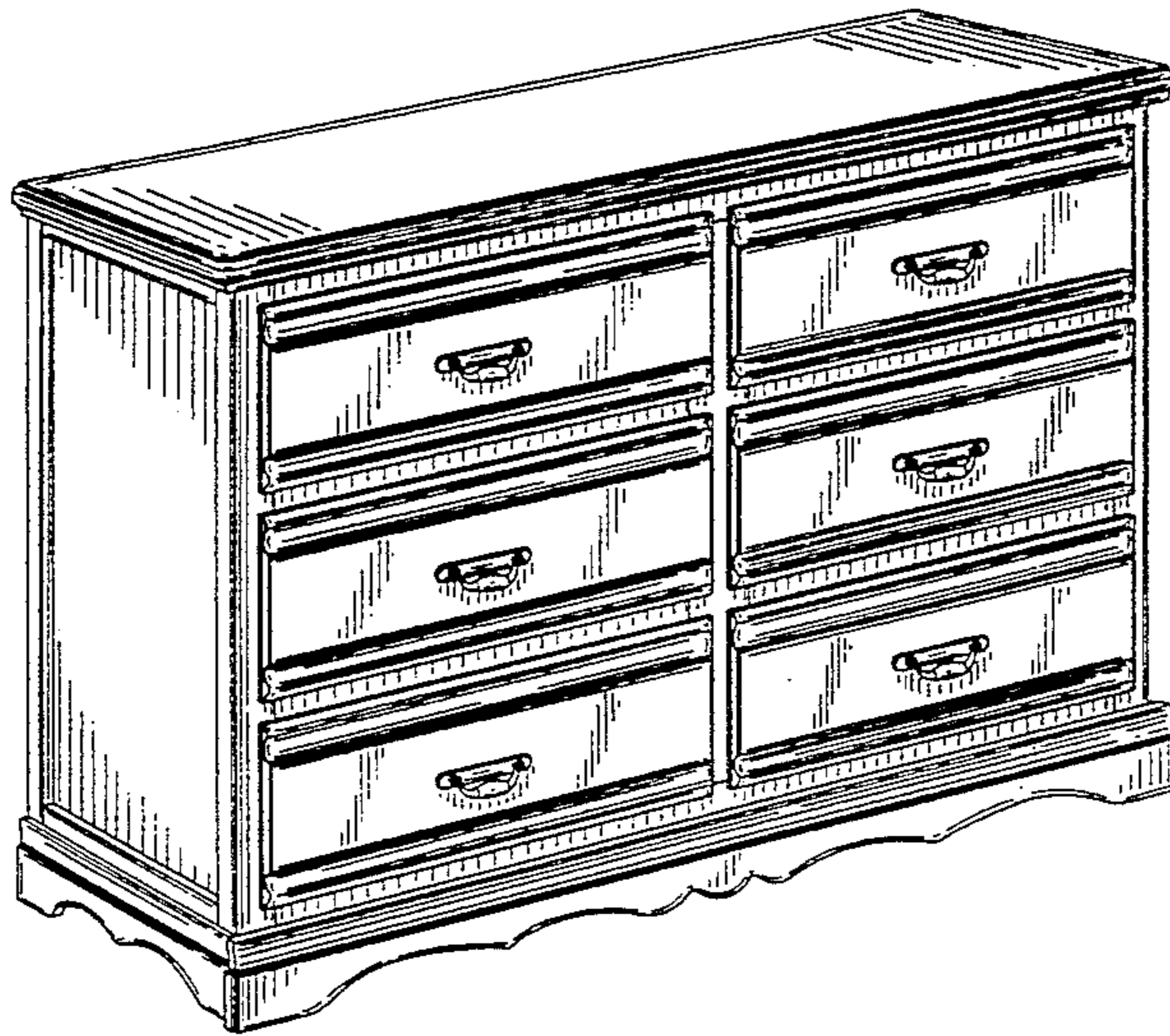
Primary Examiner—Carmen H. Vales-Lado
Attorney, Agent, or Firm—Hoffmann & Baron

[57] **CLAIM**

The ornamental design for a double dresser, as shown and described.

DESCRIPTION

FIG. 1 is a front perspective view of a double dresser showing our new design;
 FIG. 2 is a side elevational view thereof, the opposite side being a mirror image thereof;
 FIG. 3 is a front elevation view thereof;
 FIG. 4 is a top plan view thereof;
 FIG. 5 is a bottom plan view thereof;
 FIG. 6 is a rear elevational view thereof;
 FIG. 7 is an enlarged sectional view taken through line 7—7 of FIG. 3;
 FIG. 8 is an enlarged sectional view taken through line 8—8 of FIG. 3;
 FIG. 9 is an enlarged sectional view taken through line 9—9 of FIG. 3; and,
 FIG. 10 is an enlarged front perspective view of a bottom corner thereof.



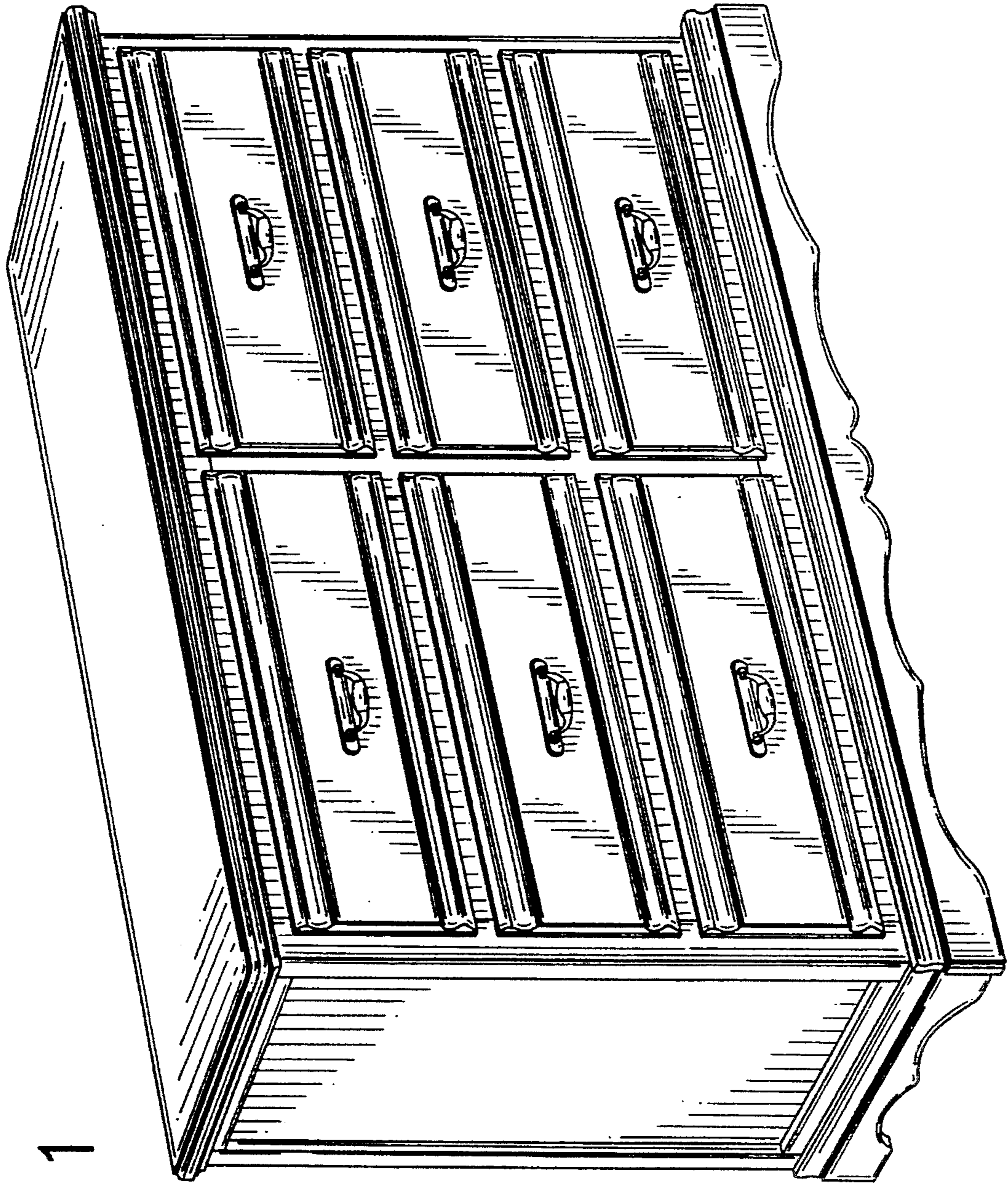
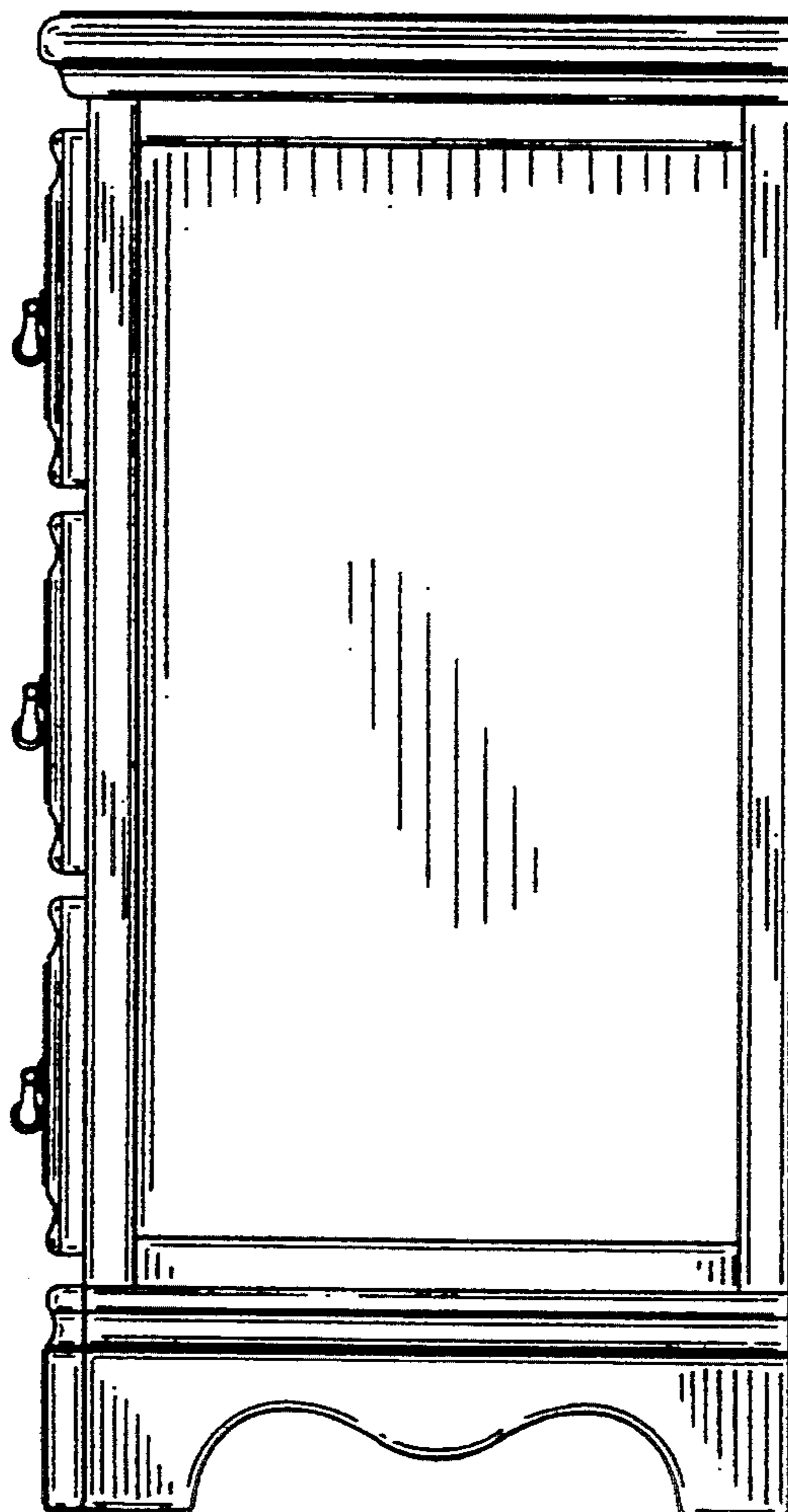
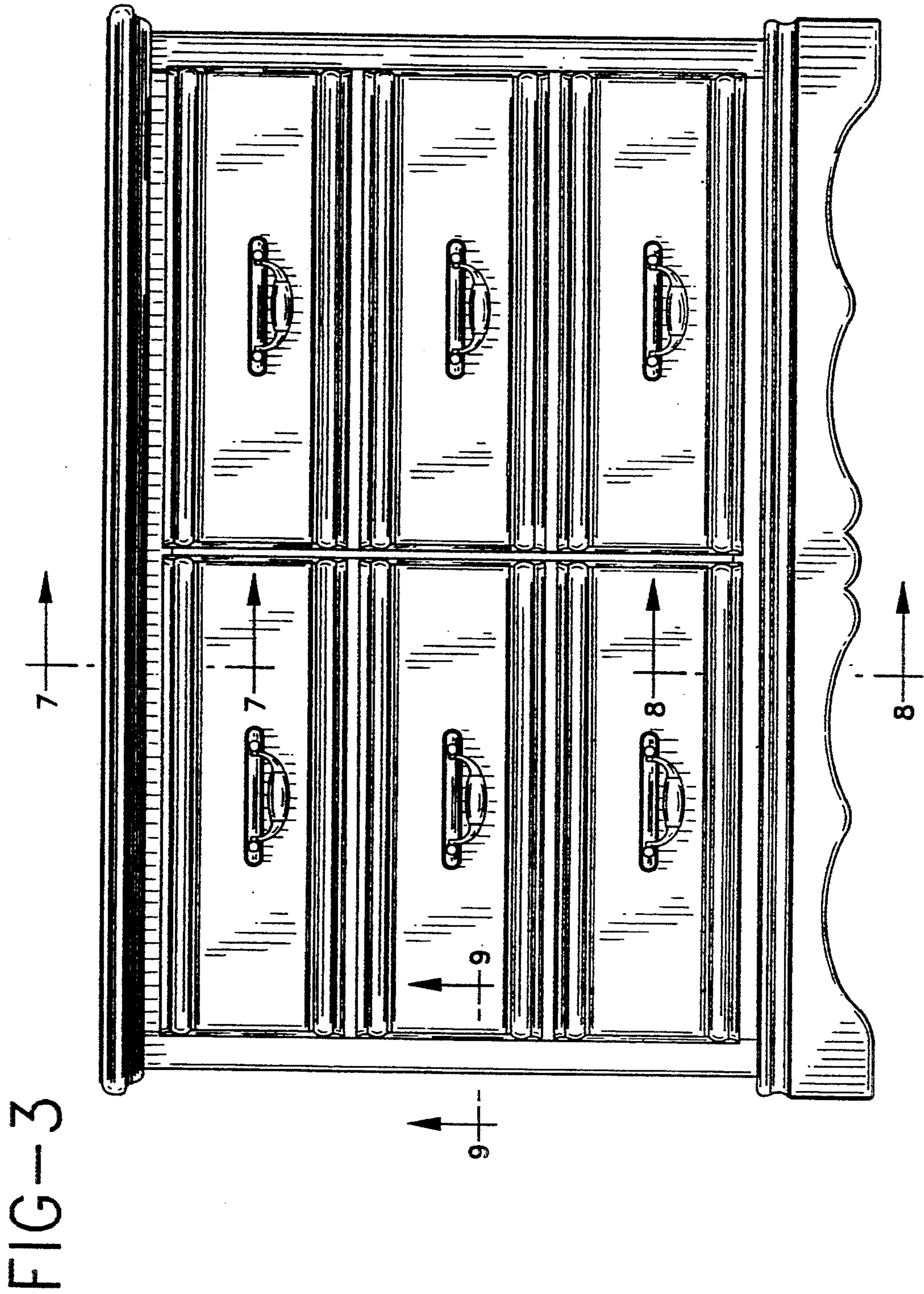


FIG-1

FIG-2





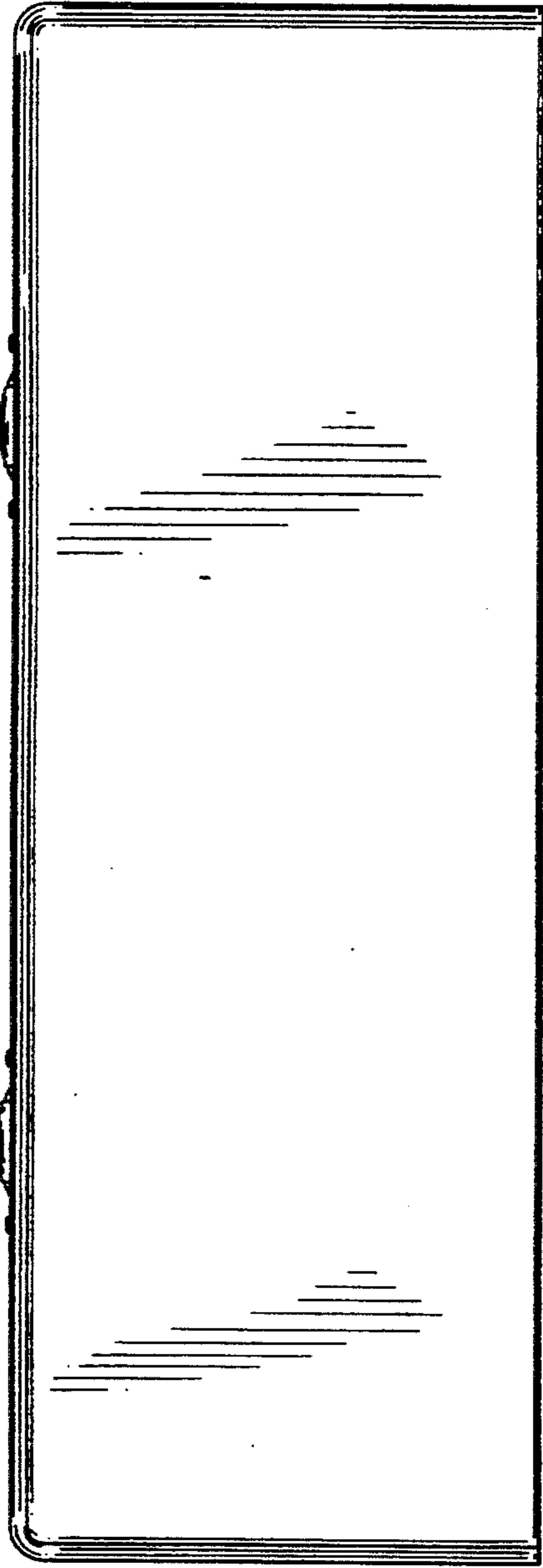


FIG-4

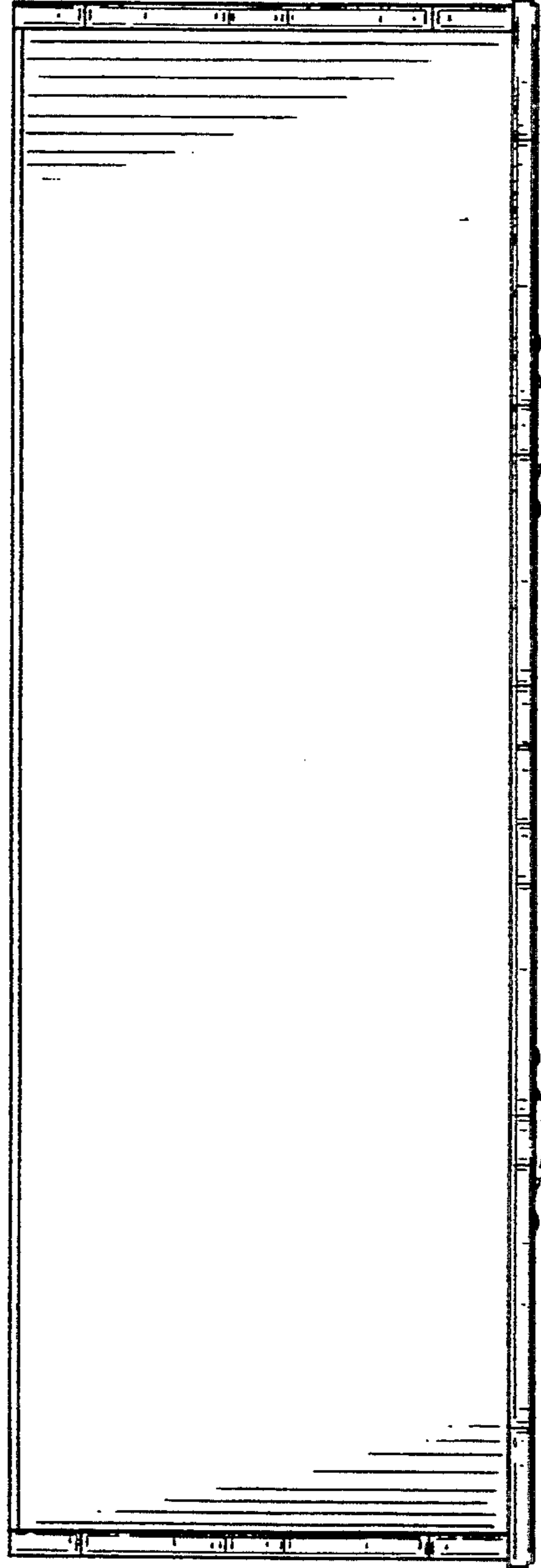


FIG-5

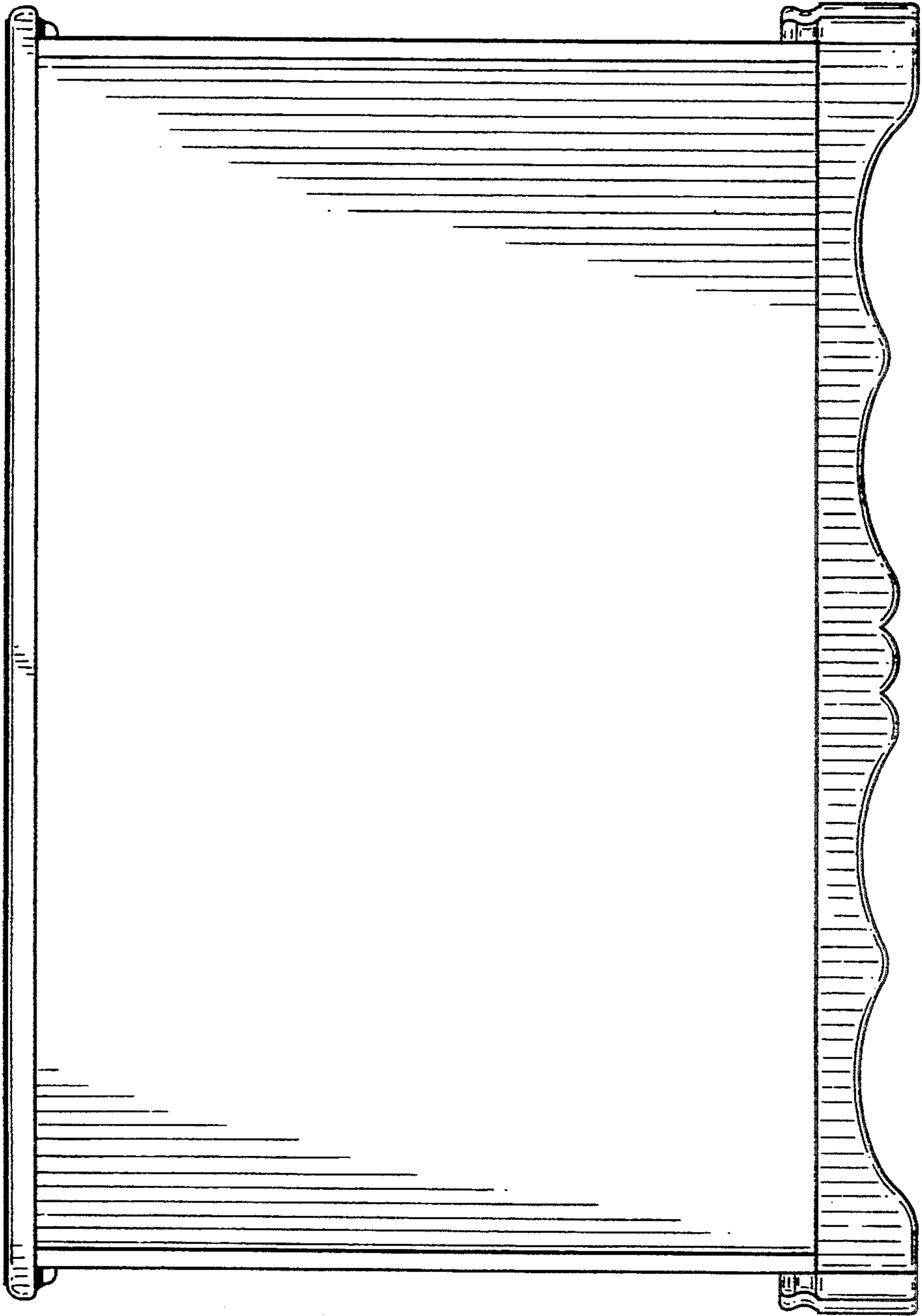


FIG-6

FIG-7

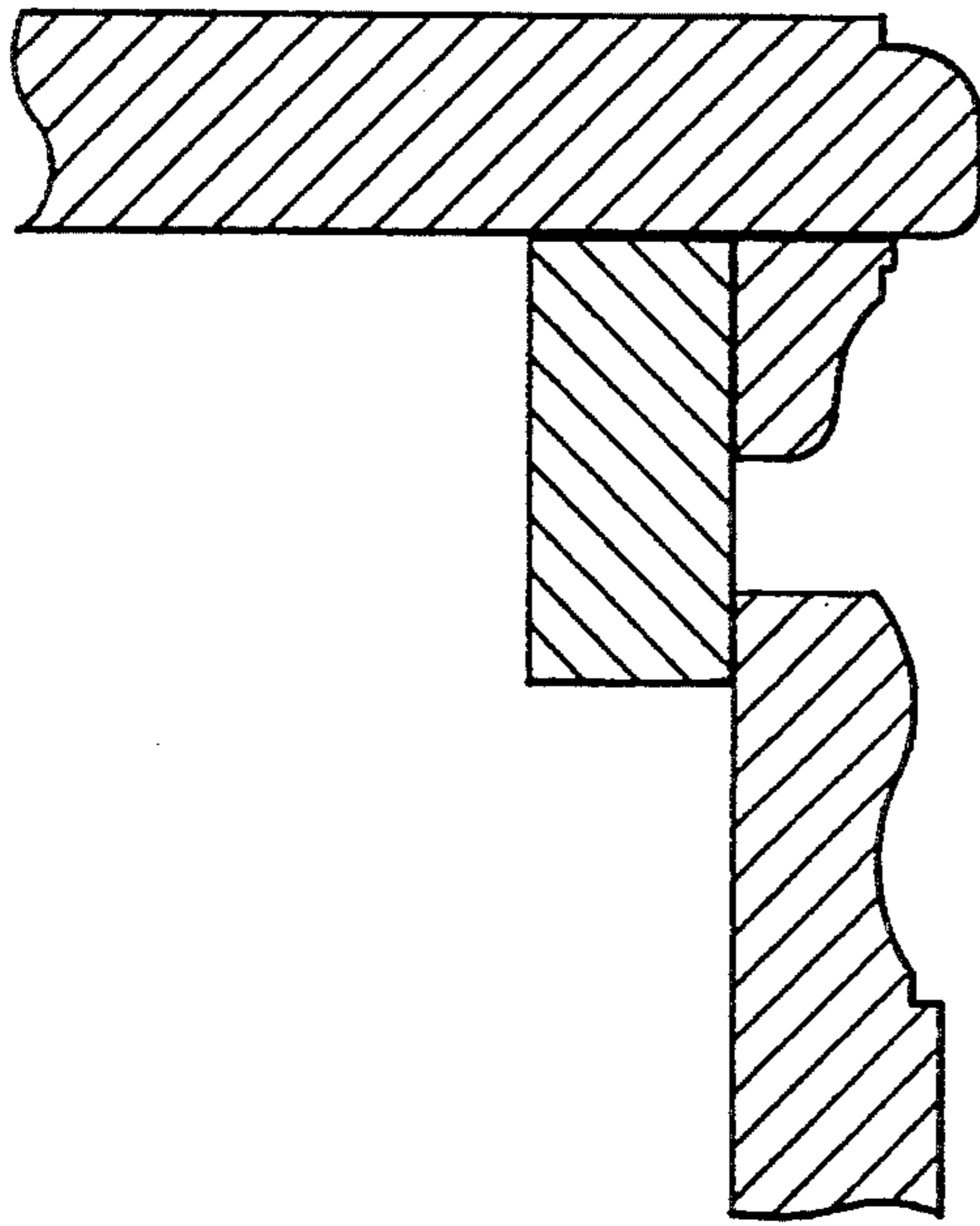


FIG-8

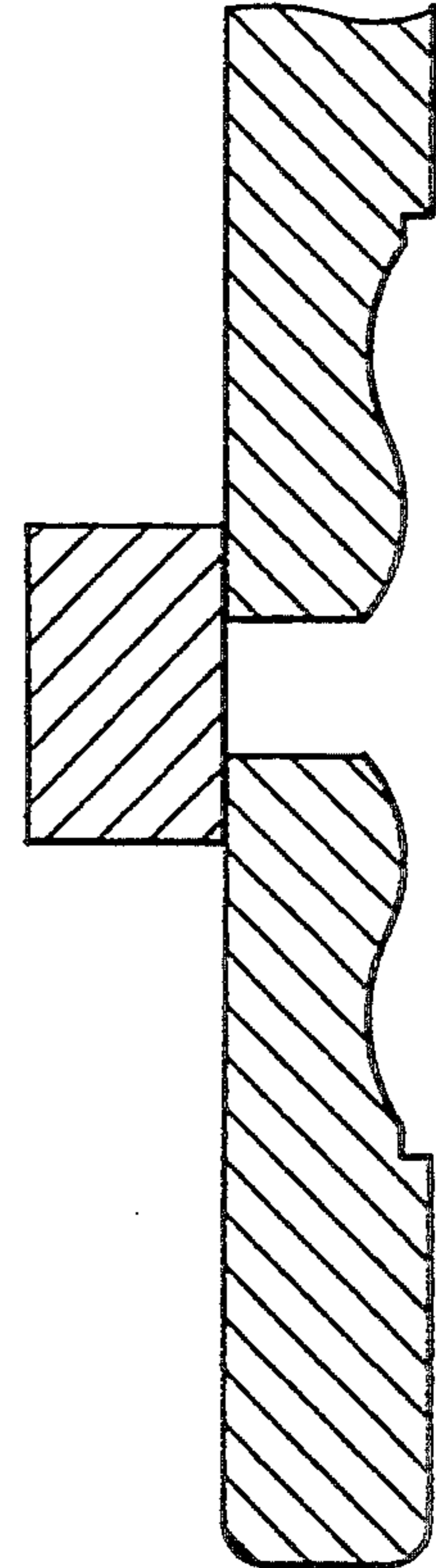


FIG-9

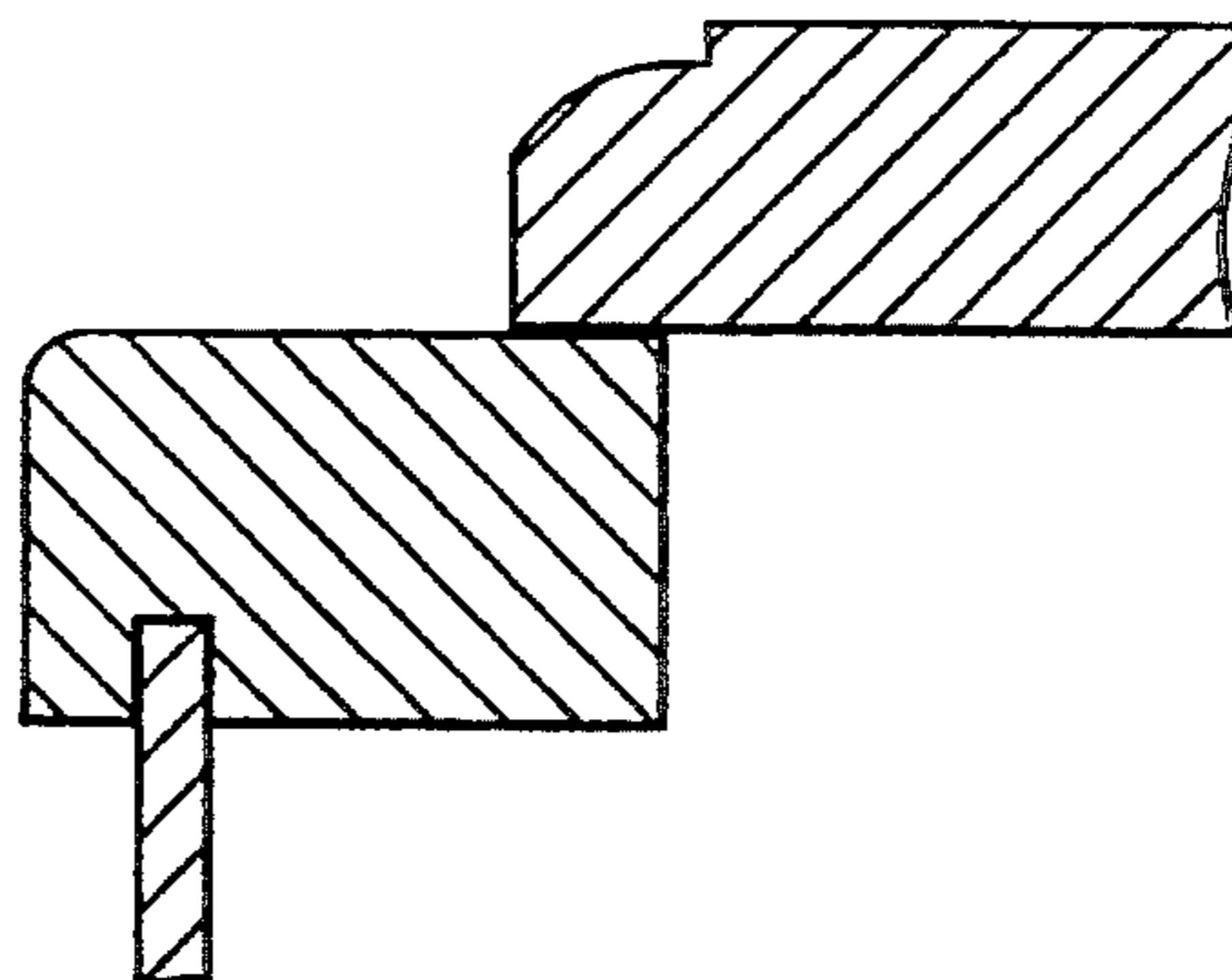


FIG-10

