



US00D357597S

United States Patent [19]
Bachmann

[11] **Patent Number: Des. 357,597**
[45] **Date of Patent: ** Apr. 25, 1995**

[54] **ROOM DIVIDER**

[76] **Inventor: Urs Bachmann, Münstergasse 72 t74, CH-8001 Zurich, Switzerland**

[**] **Term: 14 Years**

[21] **Appl. No.: 918,408**

[22] **Filed: Jul. 23, 1992**

[30] **Foreign Application Priority Data**

Jan. 24, 1992 [JP] Japan 4-1801

[52] **U.S. Cl. D6/432; D6/421; D6/433; D6/445**

[58] **Field of Search D6/421-428, D6/480, 484; 212/194-196, 204; 108/59, 60**

[56] **References Cited**

U.S. PATENT DOCUMENTS

D. 225,502 12/1972 Miller D6/421
D. 243,300 2/1977 Christensen D6/421

D. 253,152 10/1979 Bellic D6/424
D. 282,421 2/1986 Lewellen et al. D6/425
D. 286,832 11/1986 Matthews et al. D6/425
D. 289,715 5/1987 Kirch D6/425
D. 334,677 4/1993 Hinden D6/484
4,932,177 6/1990 Hinden .

Primary Examiner—Carmen H. Vales-Lado
Attorney, Agent, or Firm—Dorn, McEachran, Jambor & Keating; Vangelis Economou

[57] **CLAIM**

The ornamental design for a room divider, as shown.

DESCRIPTION

FIG. 1 is a front elevational view of a room divider showing my new design;
FIG. 2 is a right side elevational view thereof;
FIG. 3 is a left side elevational view thereof;
FIG. 4 is a top plan view thereof;
FIG. 5 is a bottom plan view thereof;
FIG. 6 is a rear elevational view thereof; and,
FIG. 7 is a perspective view thereof.

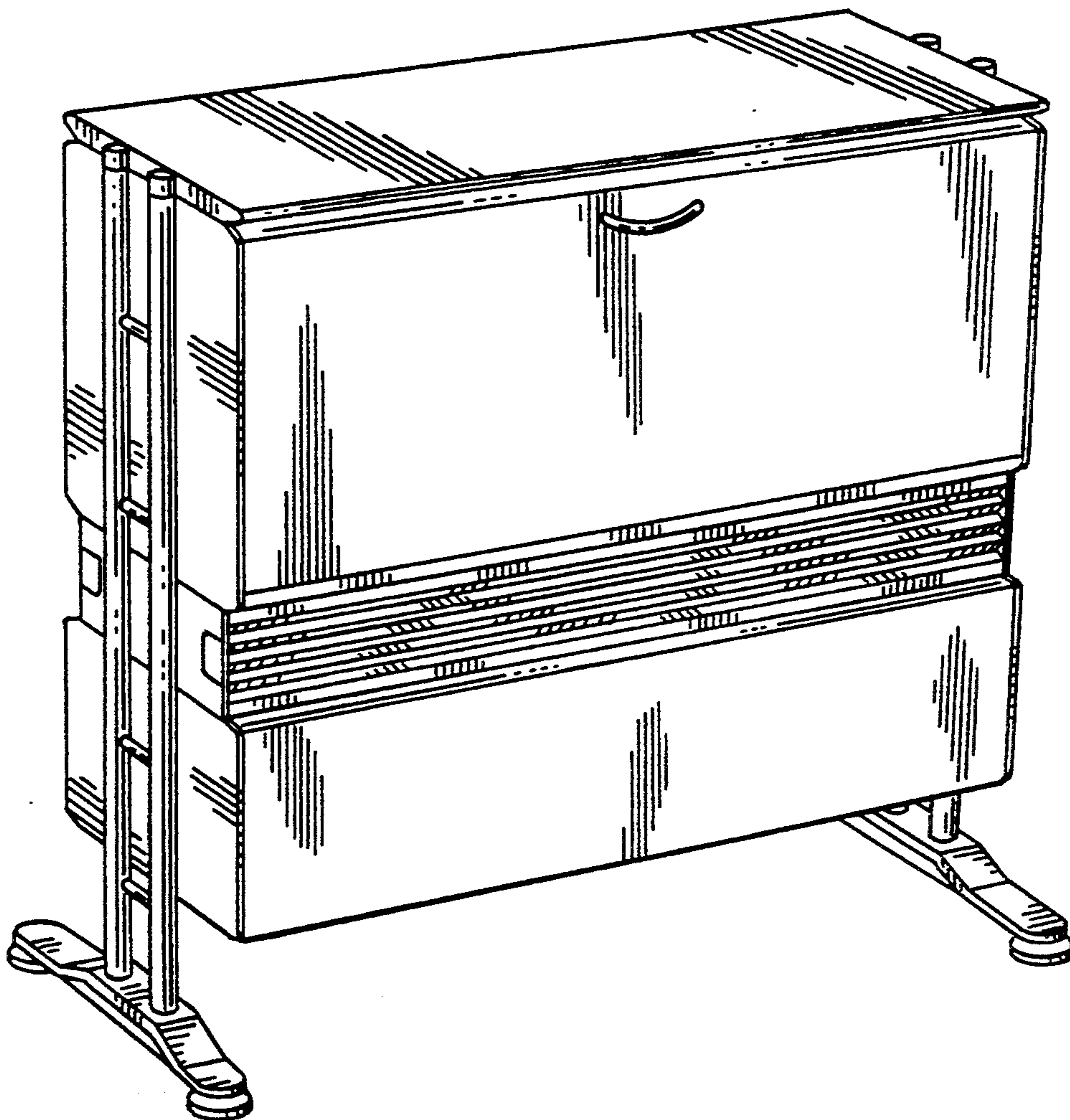


Fig. 1.

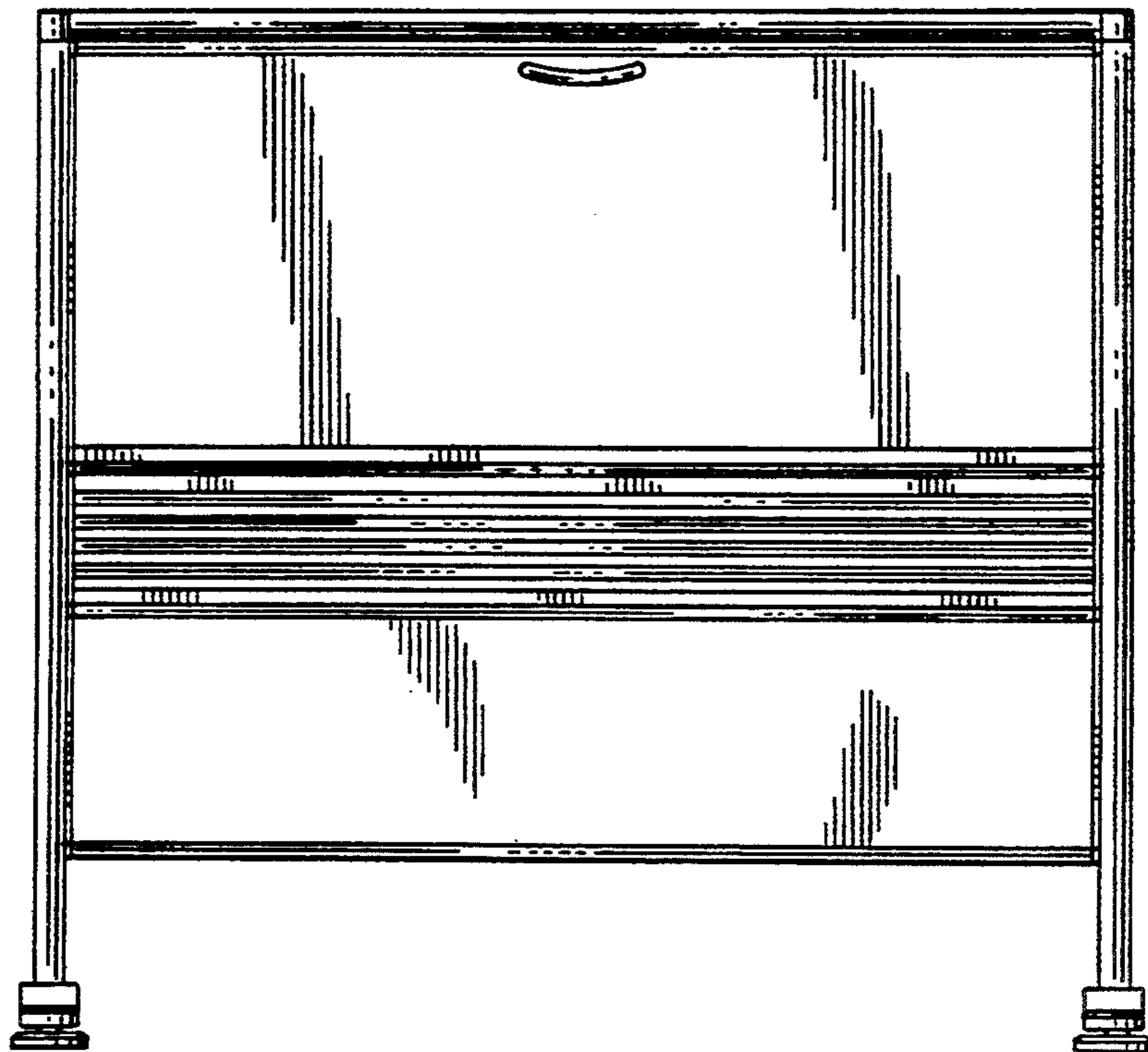


Fig. 2.

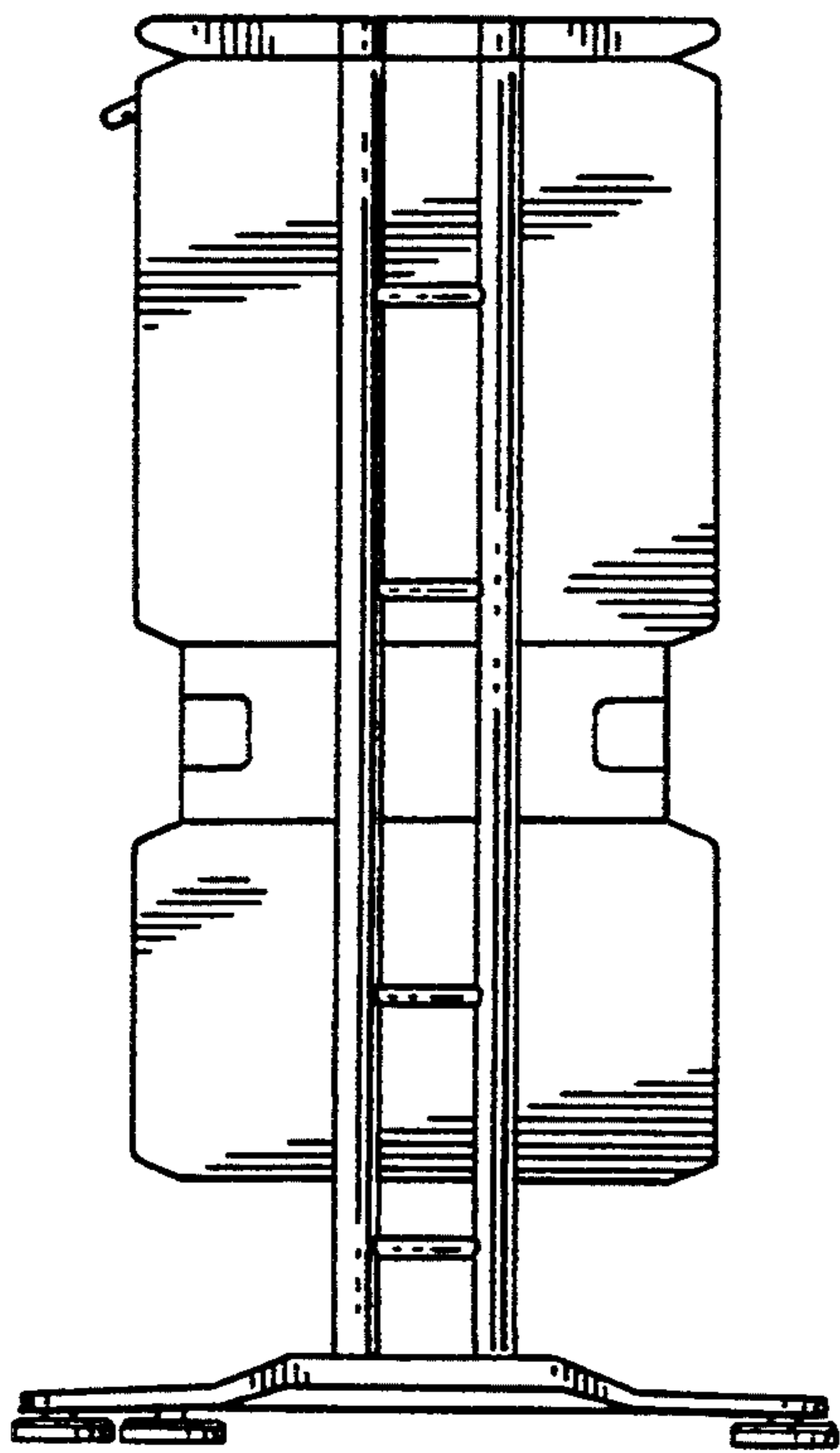


Fig. 3.

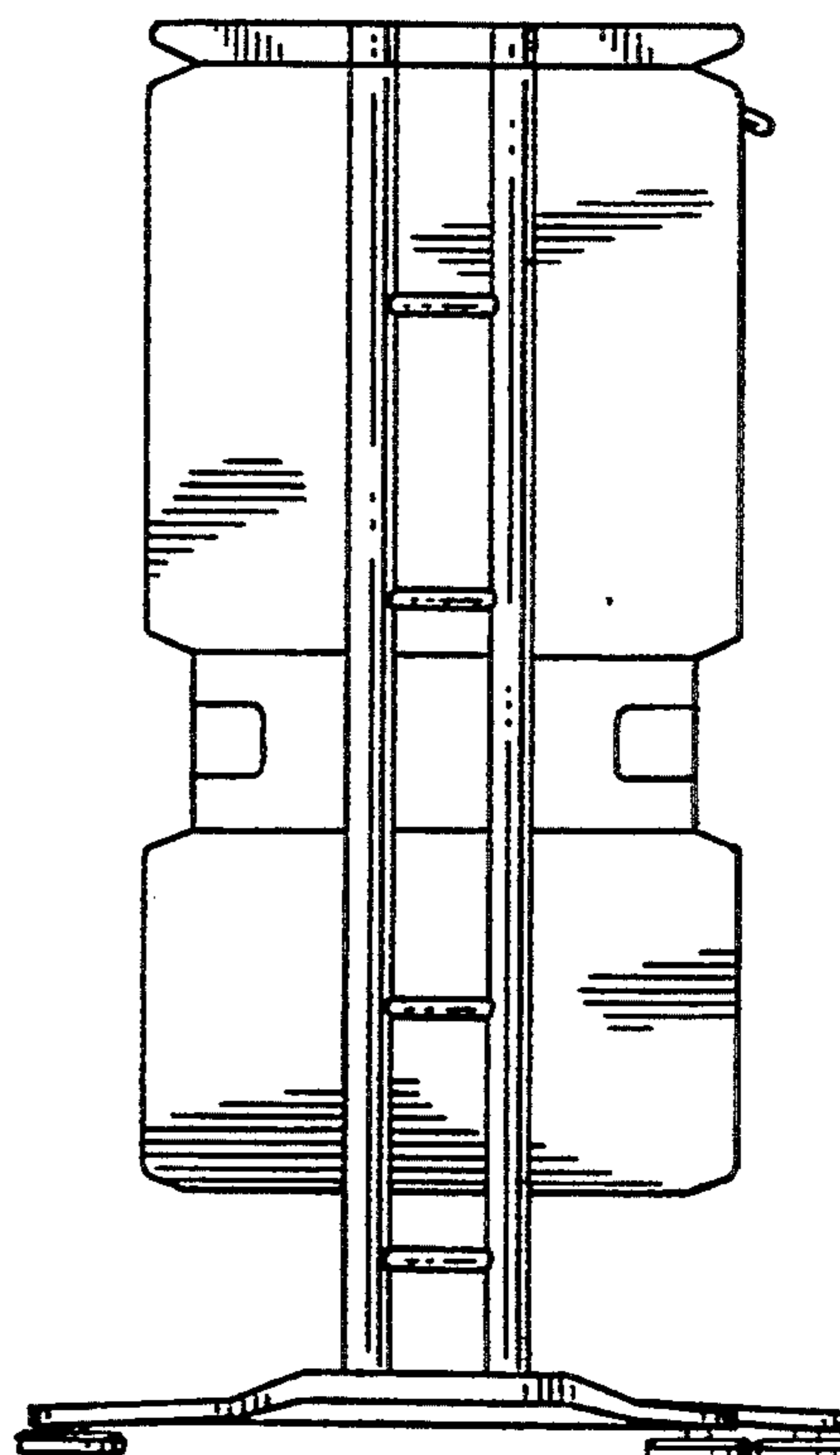


Fig. 4.

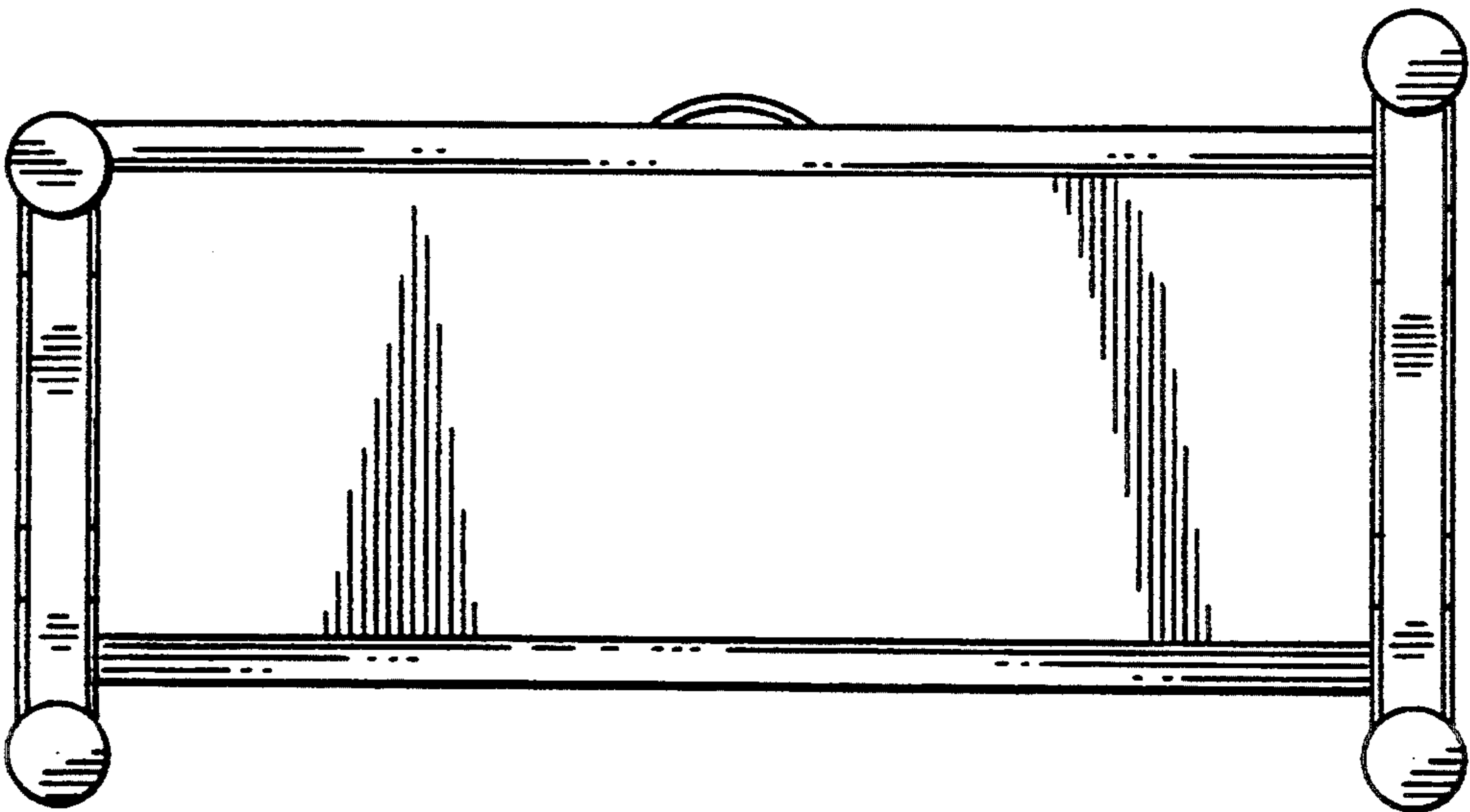
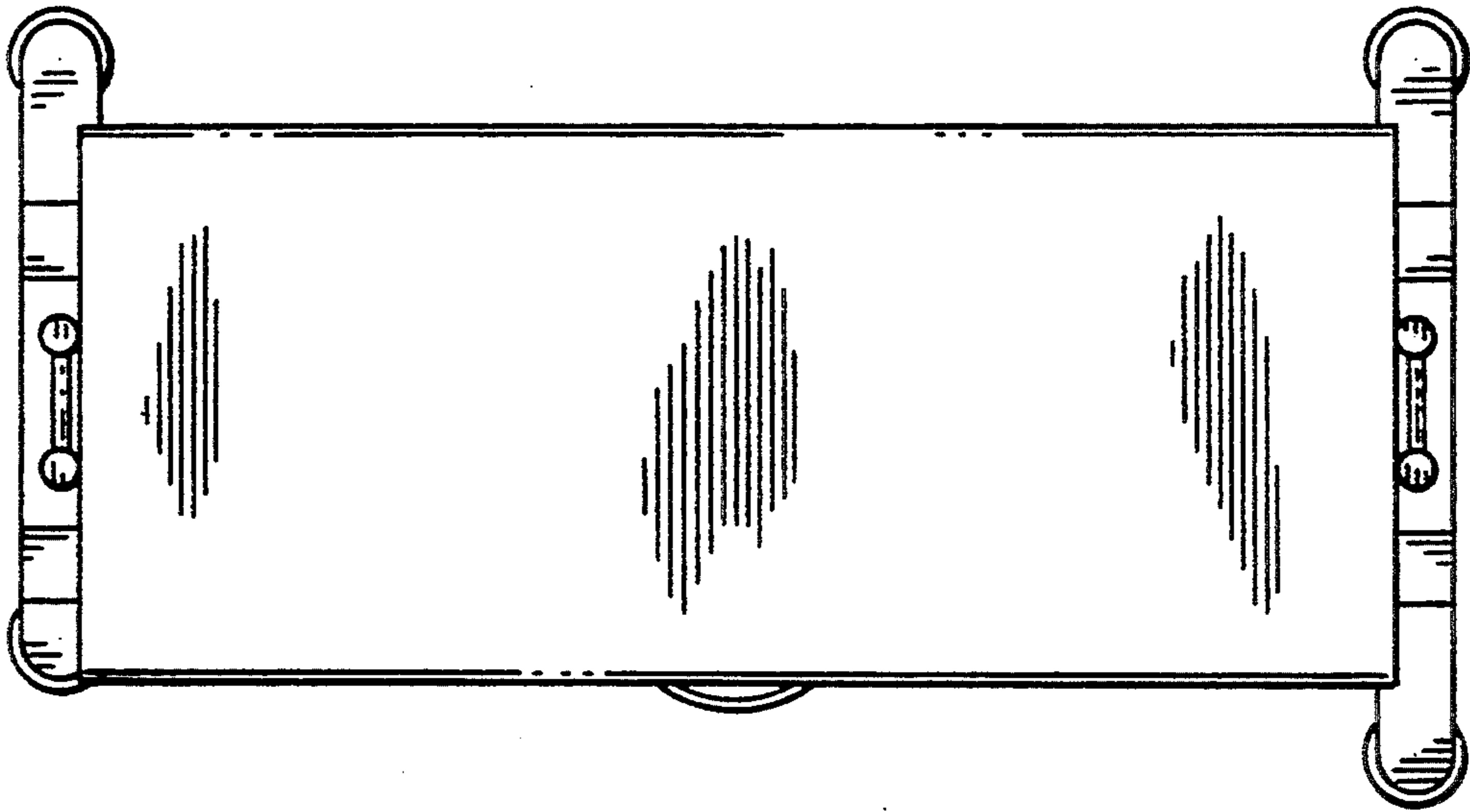


Fig. 5.

FIG. 6.

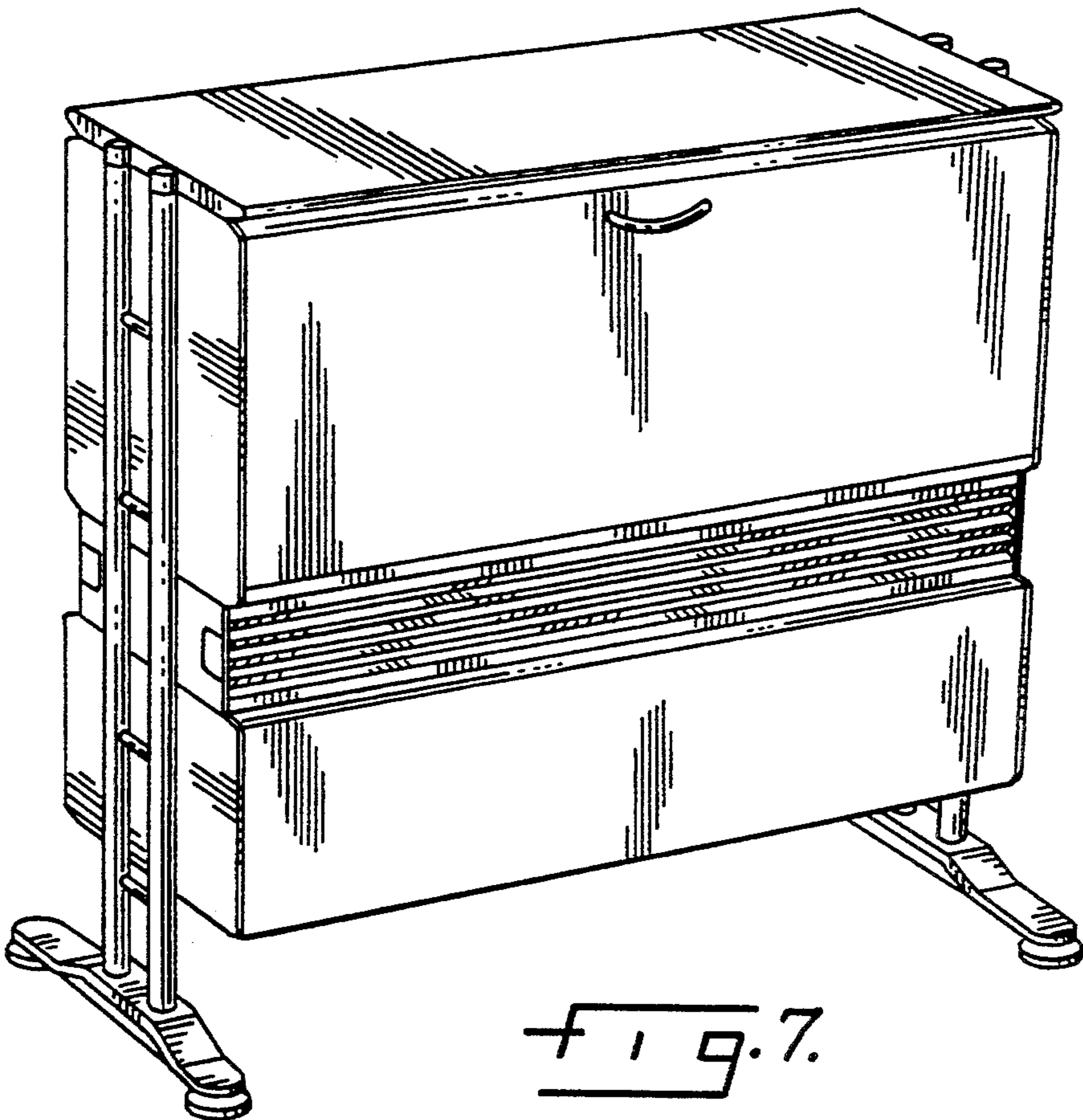
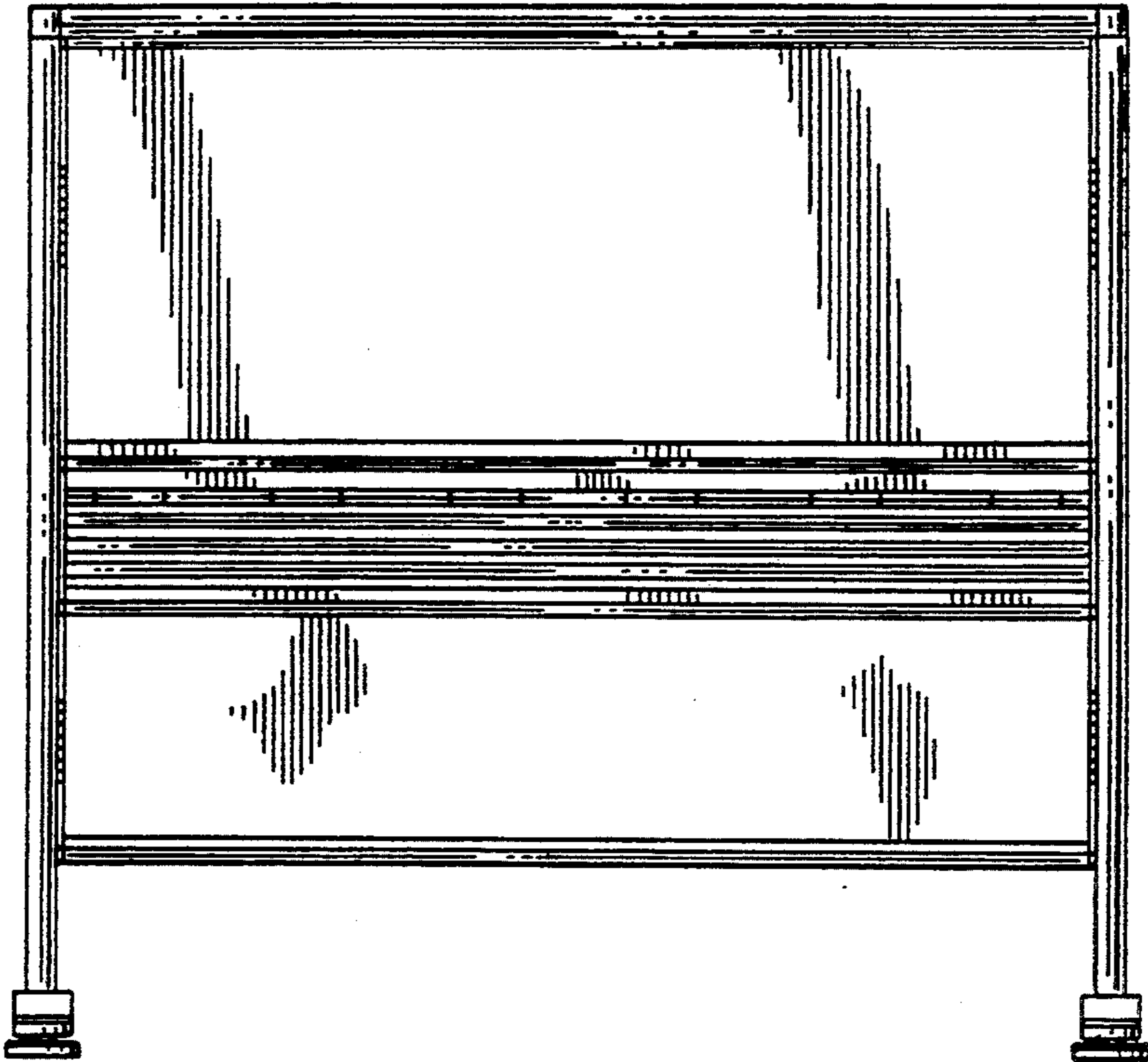


FIG. 7.