



US00D357595S

United States Patent [19]

[11] Patent Number: **Des. 357,595**

Roschacher

[45] Date of Patent: **** Apr. 25, 1995**

[54] ANATOMICALLY SHAPED AIR-MATTRESS

[76] Inventor: **Eugen Roschacher**, 95, Weinbergstrasse, CH-8006 Zurich, Switzerland

[**] Term: **14 Years**

[21] Appl. No.: **2,970**

[22] Filed: **Dec. 23, 1992**

[30] Foreign Application Priority Data

Jun. 25, 1992 [XH] Hague Agreement DM/023161

[52] U.S. Cl. **D6/392; D6/382; D6/596; D6/604**

[58] Field of Search D6/331, 333, 382, 390, D6/596, 601, 604; 5/448, 449, 900, 900.5, 110, 420, 455, 461, 465

[56] References Cited

U.S. PATENT DOCUMENTS

D. 202,691 11/1965 Essman D6/382 X

D. 226,915	5/1973	Huggens	D6/333 X
D. 309,542	7/1990	Glenn	D6/596
3,639,927	2/1972	Munch	5/900.5 X
4,947,500	8/1990	Seiler	5/455 X
5,129,115	7/1992	Higgins et al.	5/455 X

FOREIGN PATENT DOCUMENTS

681592 12/1993 United Kingdom 5/900.5

Primary Examiner—Janice E. Seeger
Attorney, Agent, or Firm—Birch, Stewart, Kolasch & Birch

[57] CLAIM

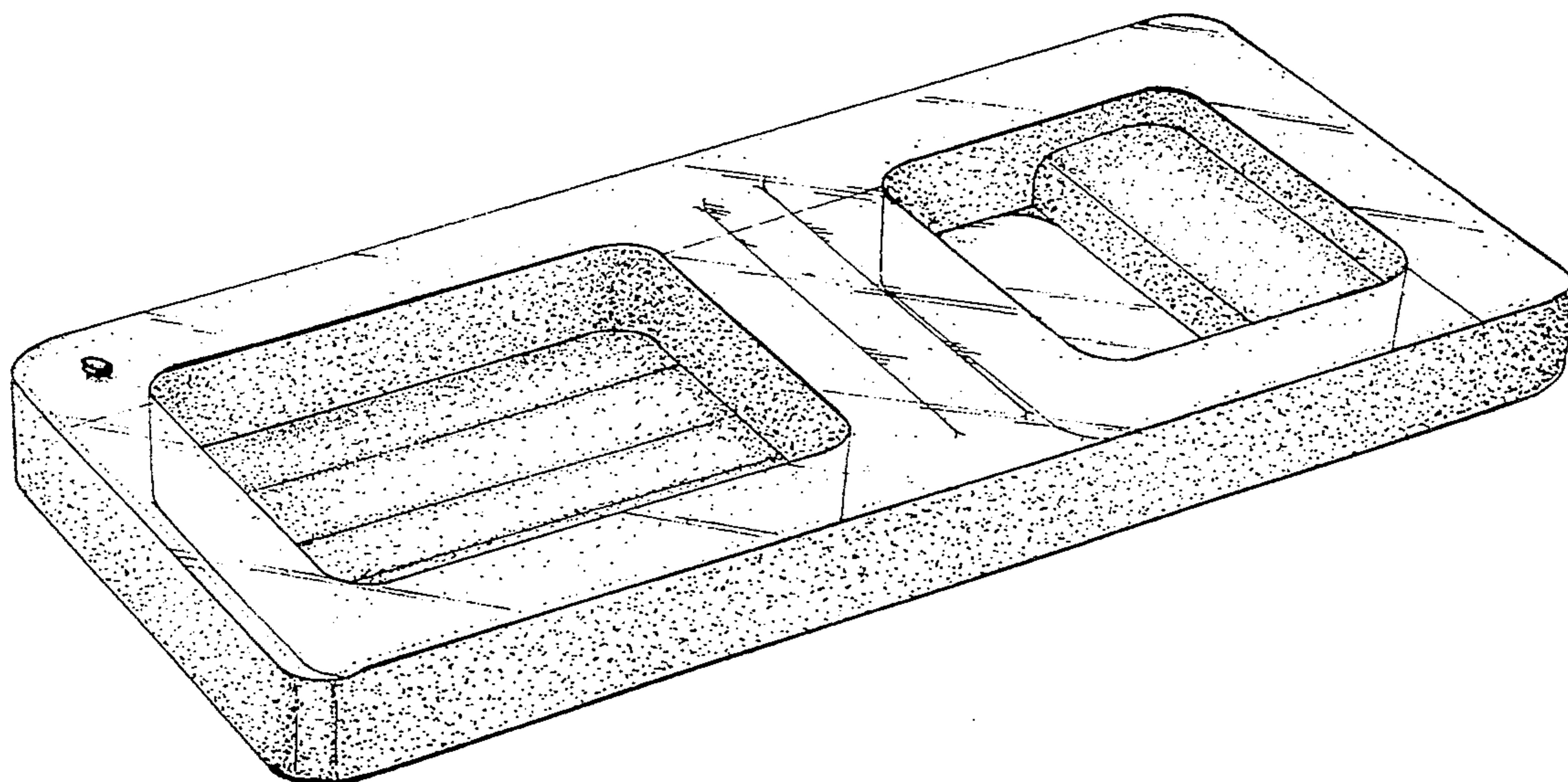
The ornamental design for an anatomically shaped air-mattress, as shown and described.

DESCRIPTION

FIG. 1 is a top, front and right side perspective view of an inflated anatomically shaped air-mattress showing my new design;

FIG. 2 is a top plan view thereof; and,

FIG. 3 is a bottom plan view thereof.



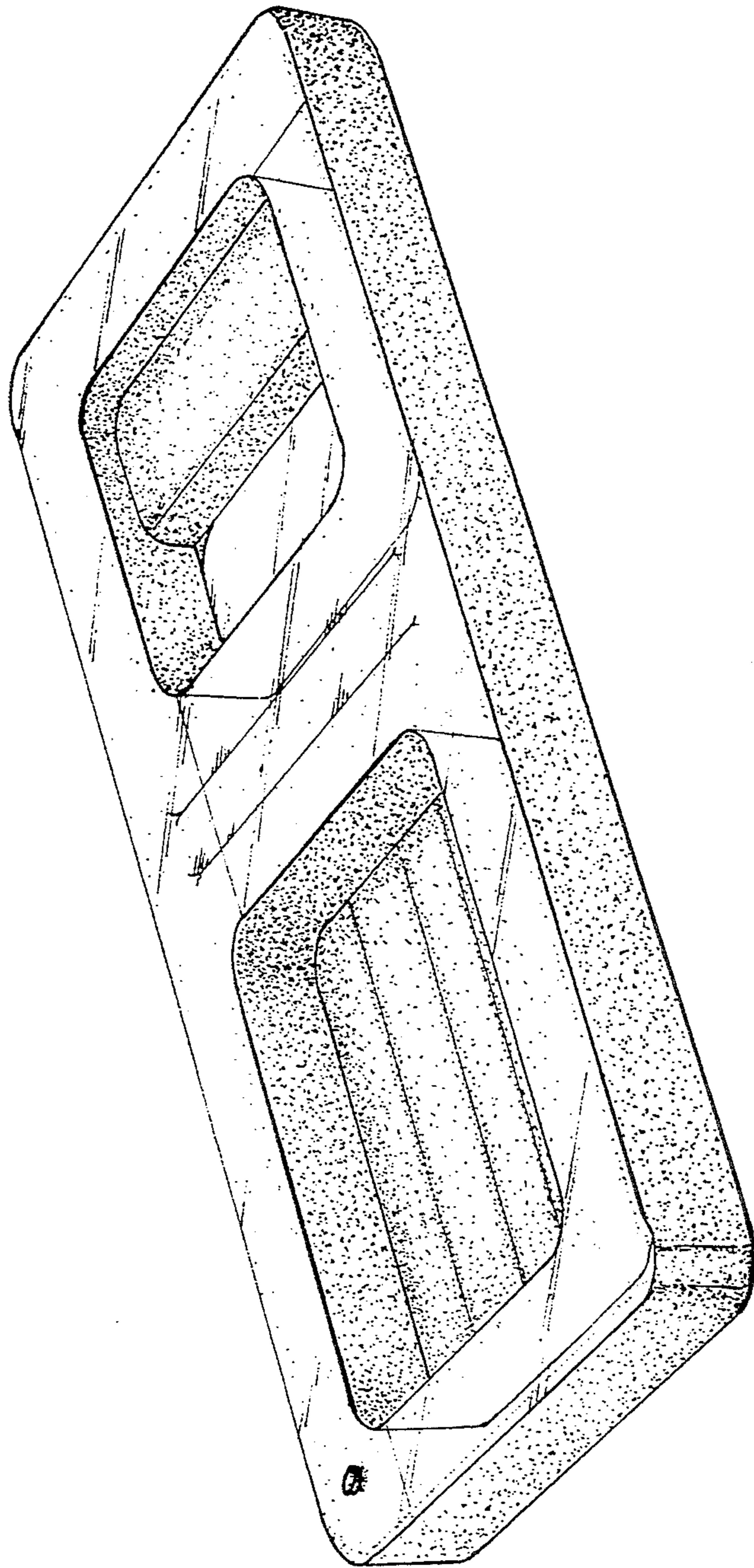


FIG. 1

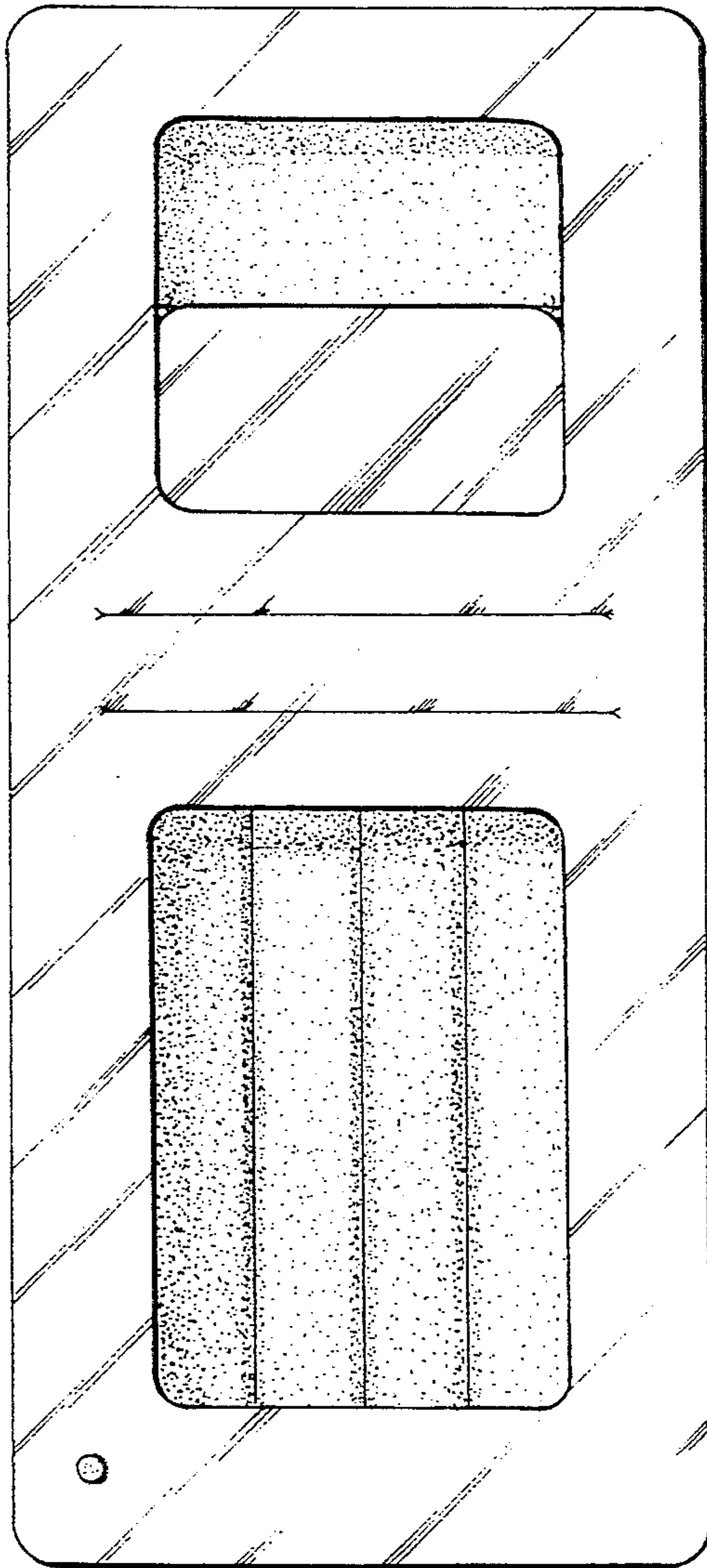


FIG. 2

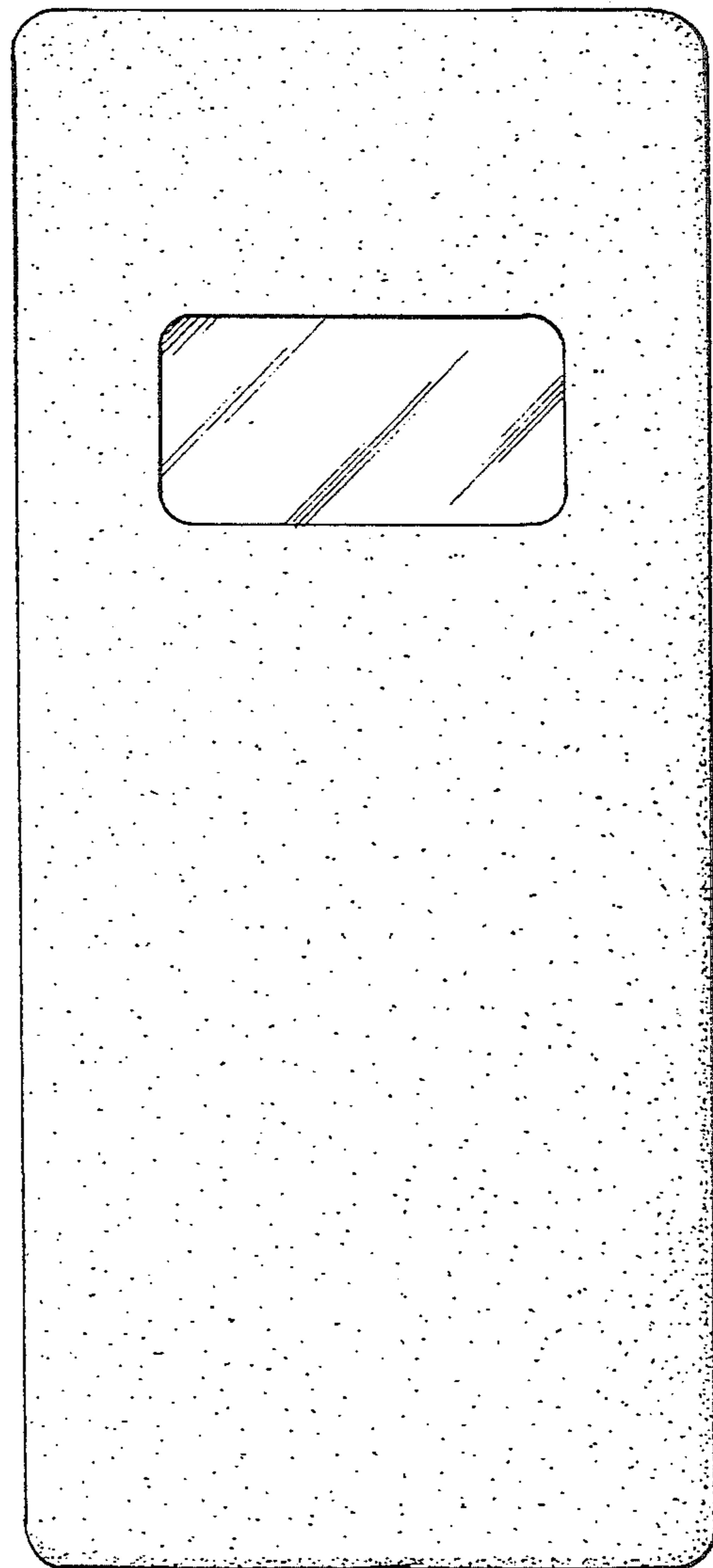


FIG. 3