



US00D357590S

United States Patent [19]
Noll

[11] **Patent Number: Des. 357,590**

[45] **Date of Patent: ** Apr. 25, 1995**

[54] **TABLE WITH BENCHES**

[56] **References Cited**

U.S. PATENT DOCUMENTS

[76] **Inventor: Ronald C. Noll, 1922 Camberly, Lyndhurst, Ohio 44124**

D. 190,744	6/1961	Guice	D6/337
D. 327,778	7/1992	Crawford	D6/337
2,746,525	5/1956	Cooper	297/157
2,849,053	8/1958	Beller	297/159

[**] **Term: 14 Years**

Primary Examiner—Janice E. Seeger

[21] **Appl. No.: 14,671**

[57] **CLAIM**

The ornamental design for a table with benches, as shown and described.

[22] **Filed: Oct. 27, 1993**

DESCRIPTION

[52] **U.S. Cl. D6/337**

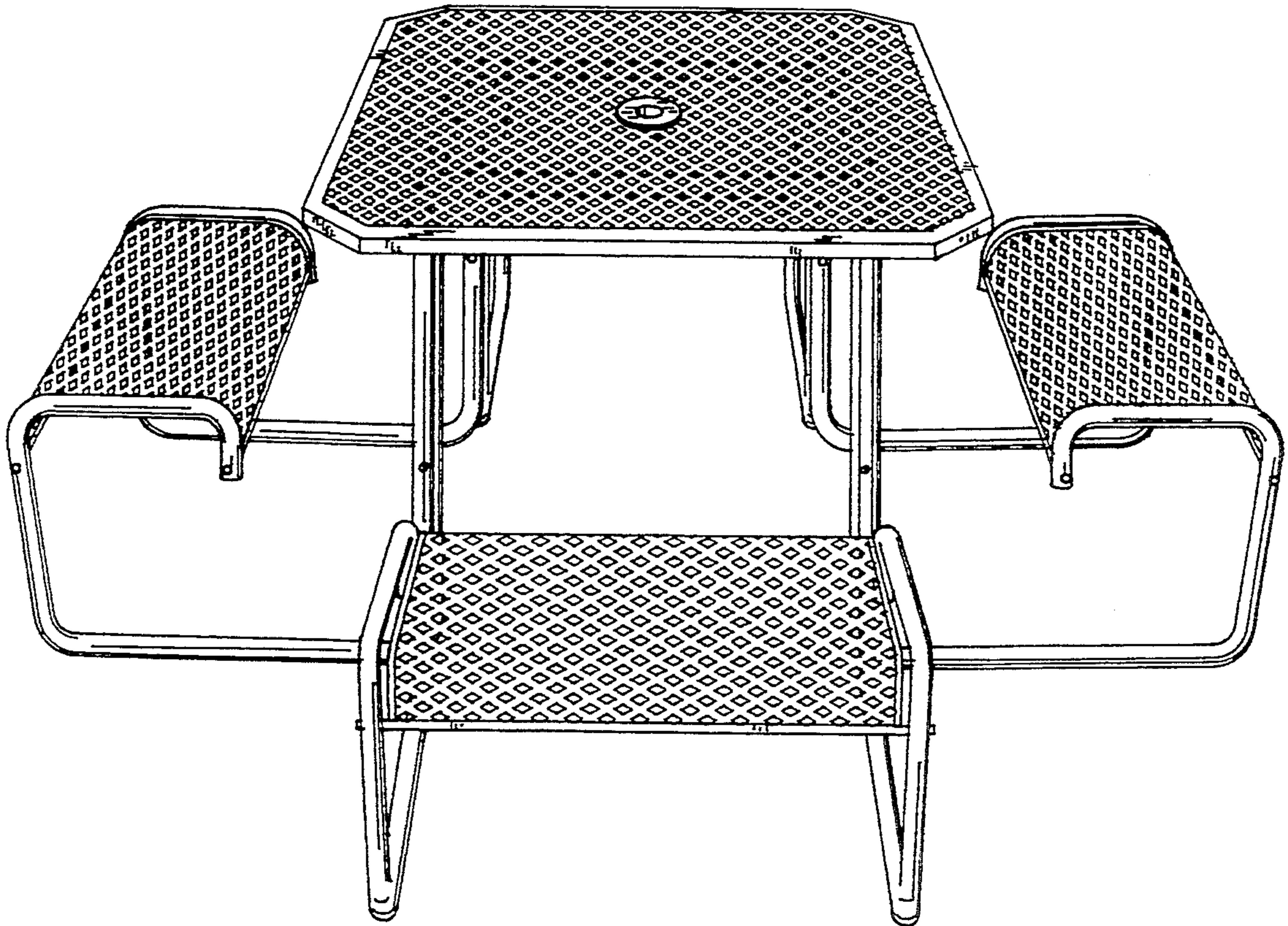
[58] **Field of Search D6/335, 336, 337, 487; 297/157, 159, 170; 108/50**

FIG. 1 is a perspective view of a table with benches, showing my new design;

FIG. 2 is a front elevational view thereof;

FIG. 3 is a top plan view thereof; and,

FIG. 4 is a bottom plan view thereof.



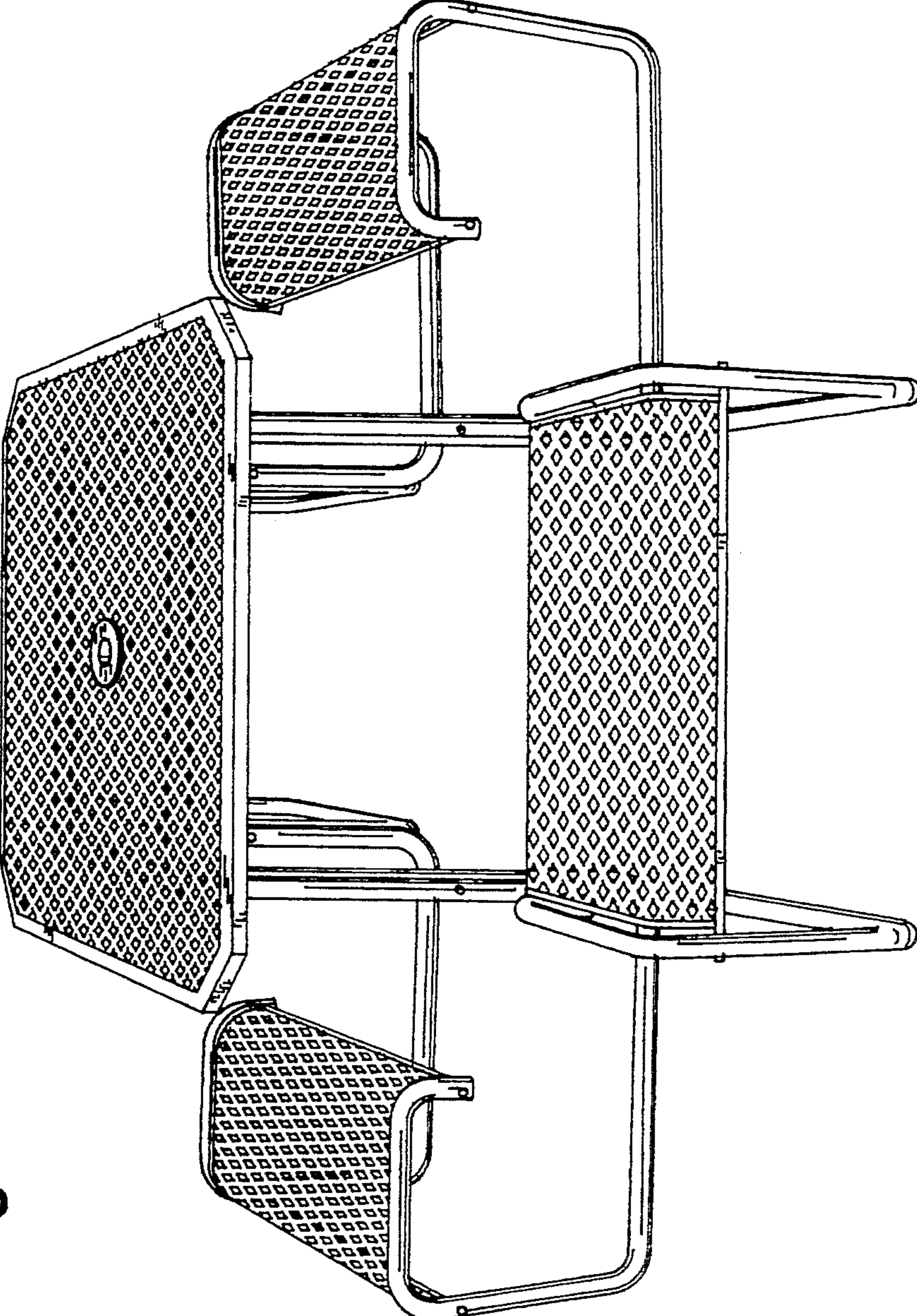


Fig. 1

Fig.3

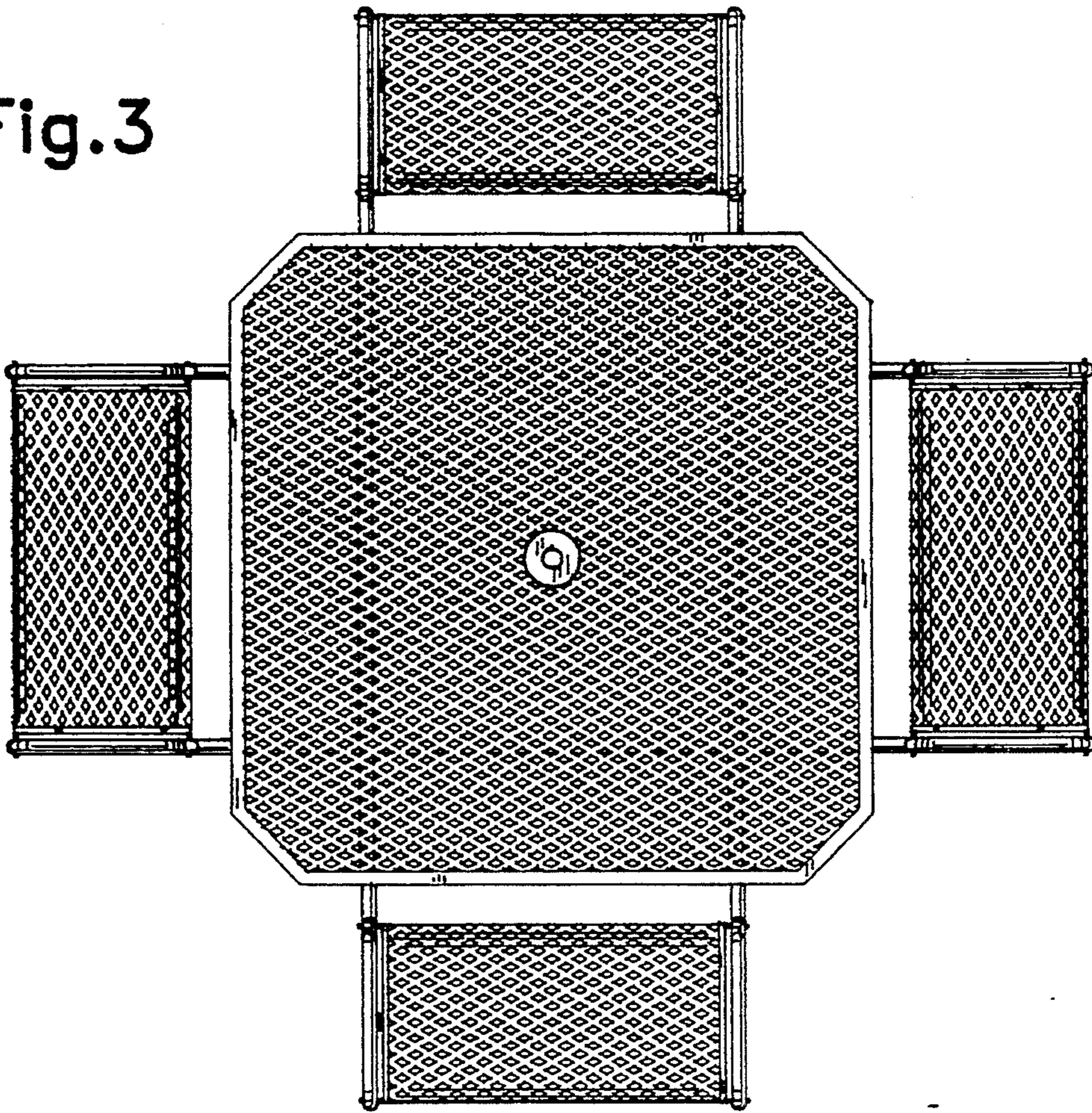


Fig.2

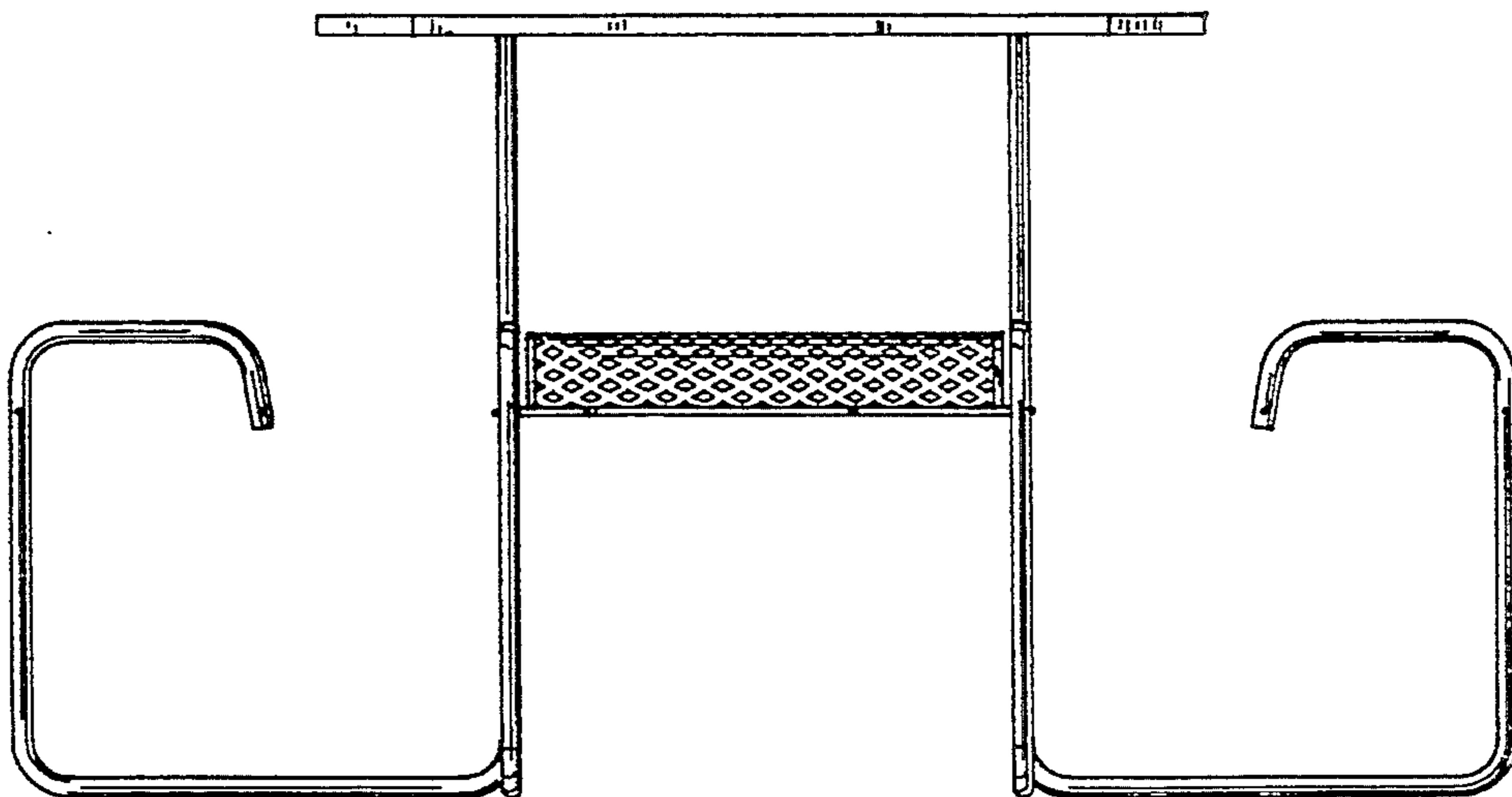


Fig.4

