



US00D357587S

# United States Patent [19]

[11] Patent Number: **Des. 357,587**

Hoagland

[45] Date of Patent: **\*\* Apr. 25, 1995**

[54] **BRUSH HANDLE**

[75] Inventor: **Mary M. Hoagland**, Cincinnati, Ohio

[73] Assignee: **Vining Industries, Inc.**, Springfield, Ohio

[\*\*] Term: **14 Years**

[21] Appl. No.: **10,855**

[22] Filed: **Jul. 20, 1993**

[52] U.S. Cl. .... **D4/138**

[58] Field of Search ..... **D4/128, 131-135, D4/138; 15/143.1, 159.1, 160, 164, 206, 211; D8 DIG. 4, DIG. 7, DIG. 8**

[56] **References Cited**

**U.S. PATENT DOCUMENTS**

- D. 273,914 5/1984 Colemore-Williams ..... D4/134
- D. 304,649 11/1989 Saunders ..... D4/138

**OTHER PUBLICATIONS**

Fuller Brush Catalog, Inc.; ©1988; Jar Brush, item B on p. 34.

*Primary Examiner*—James M. Gandy  
*Assistant Examiner*—Lavone D. Tabor  
*Attorney, Agent, or Firm*—Panitch Schwarze Jacobs & Nadel

[57] **CLAIM**

The ornamental design for a brush handle, as shown and described.

**DESCRIPTION**

FIG. 1 is a three-quarter perspective view of a brush handle showing my new design;  
 FIG. 2 is a view thereof from the end where the brush would be attached;  
 FIG. 3 is an elevational view thereof from the end opposite FIG. 2; and,  
 FIG. 4 is a side view thereof, the other side being identical;  
 FIG. 5 is a top plan view thereof; and,  
 FIG. 6 is a bottom plan view thereof.  
 The broken lines showing a bristle support and bristles are for illustrative purposes only and form no part of the claimed design.

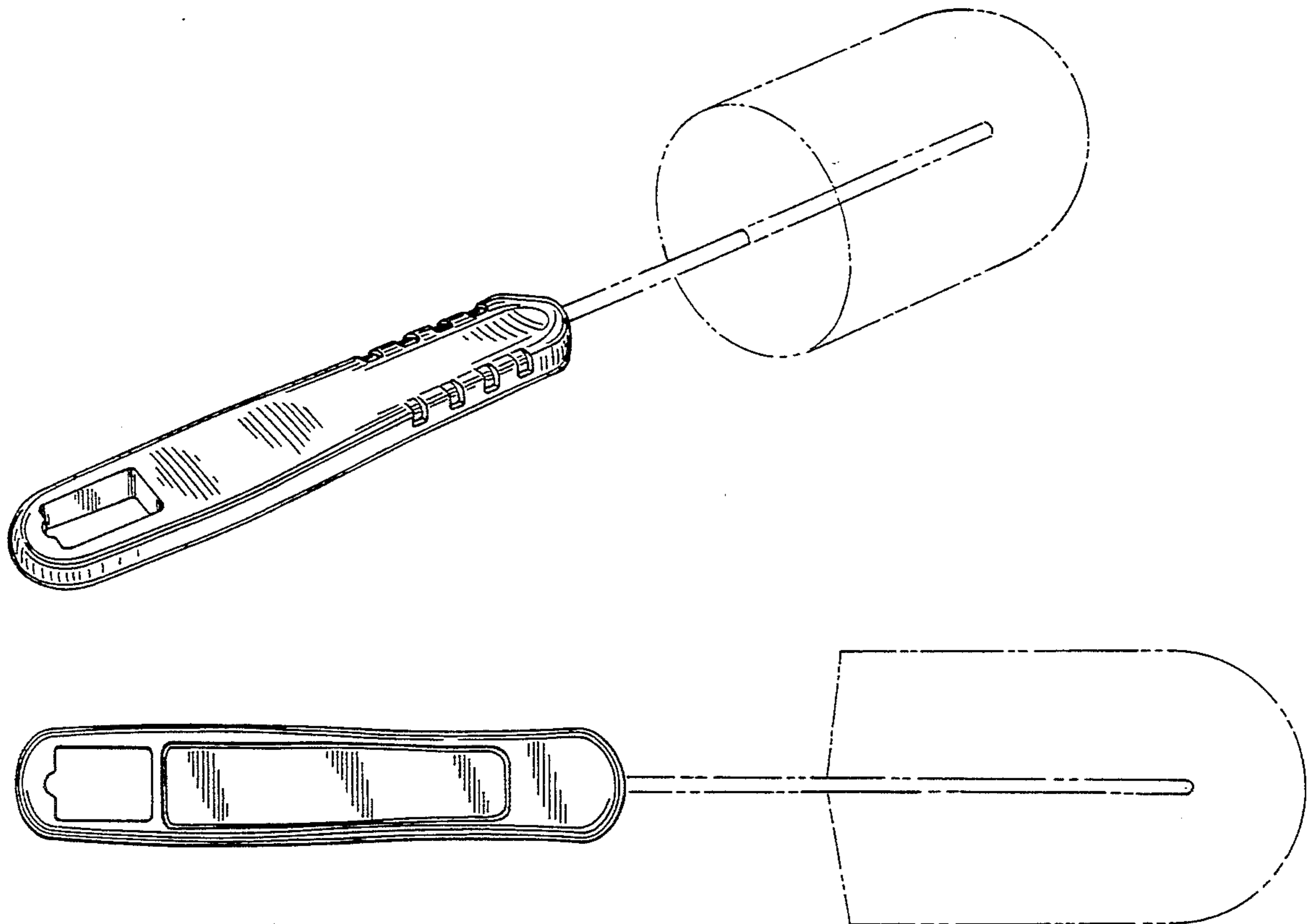


FIG.2

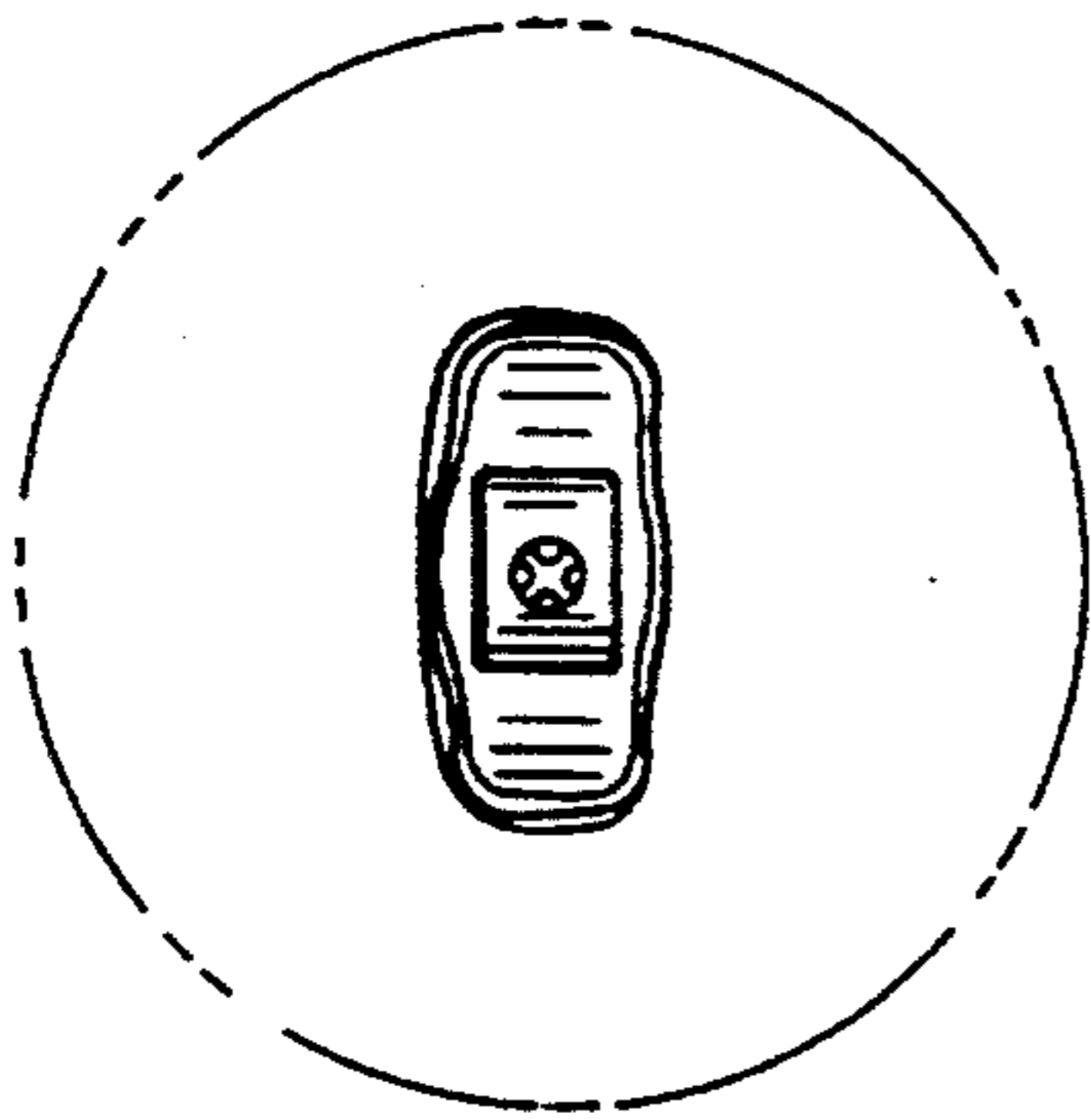


FIG.3

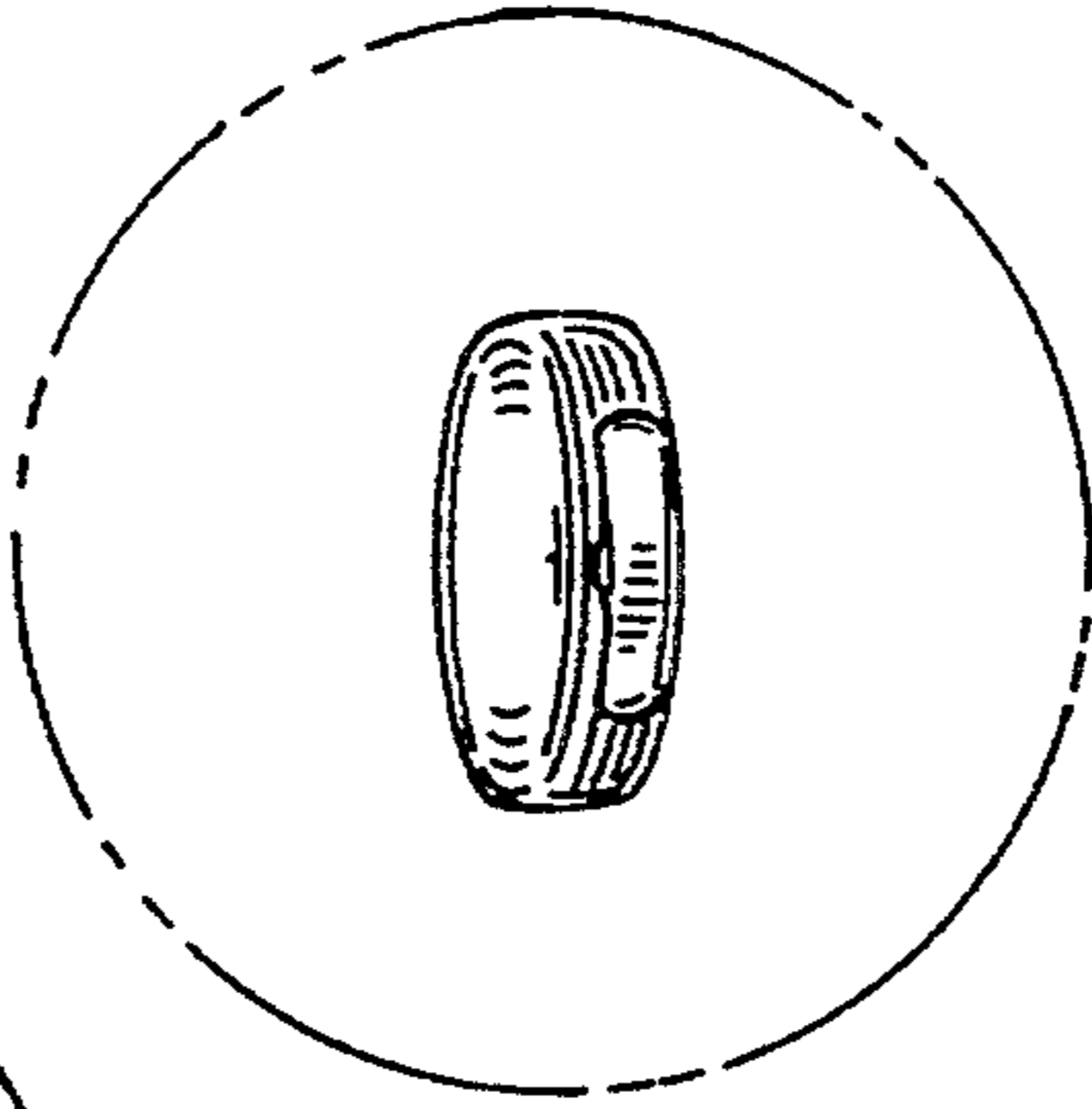


FIG.1

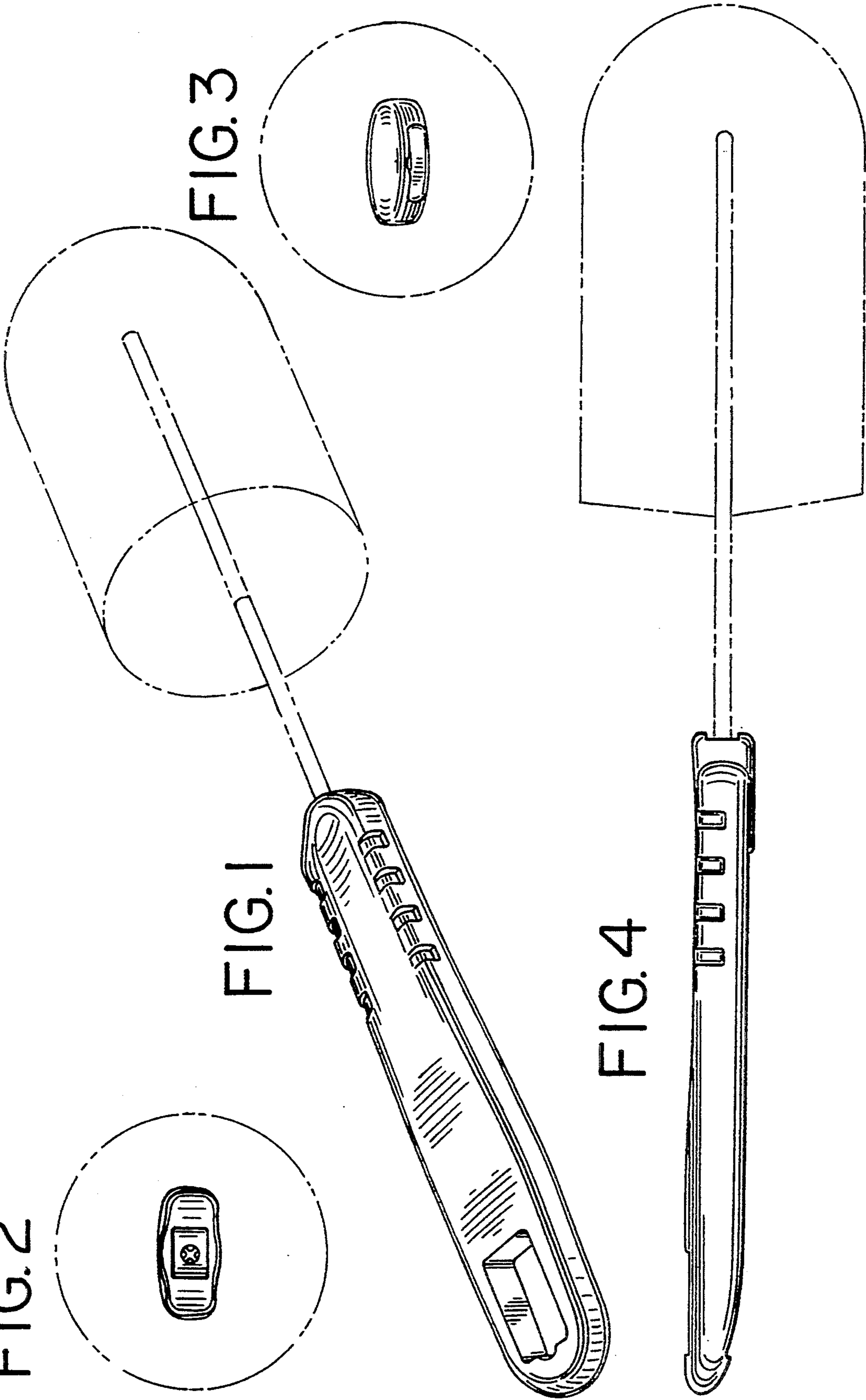
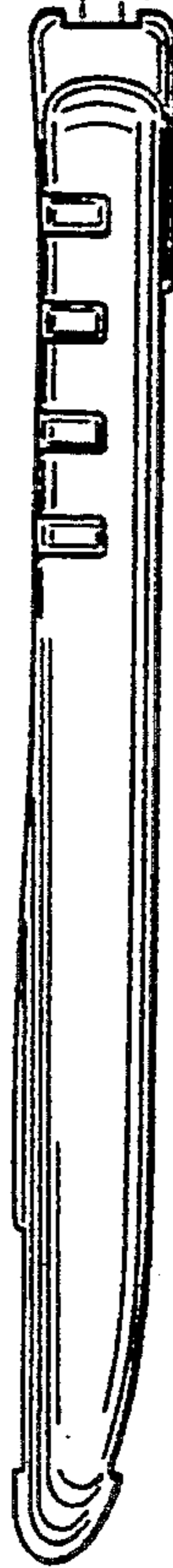


FIG.4



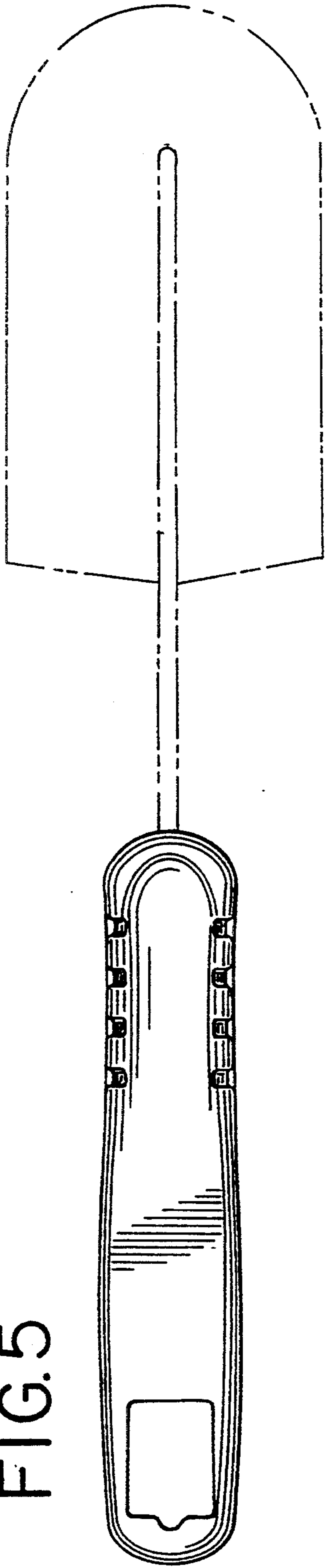


FIG. 5

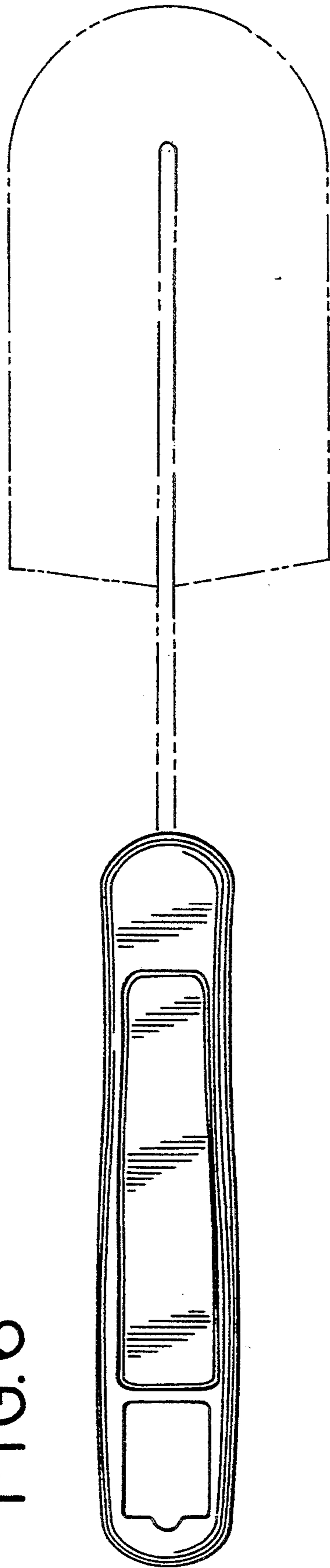


FIG. 6