



US00D357586S

United States Patent [19]

[11] Patent Number: **Des. 357,586**

Tubman

[45] Date of Patent: **** Apr. 25, 1995**

[54] **BRUSH**

464,626 12/1891 Platt 15/160

[76] Inventor: **Louis Tubman**, 1420 Locust St., Philadelphia, Pa. 19102

Primary Examiner—James M. Gandy
Assistant Examiner—Lavone D. Tabor
Attorney, Agent, or Firm—Aquilino & Welsh

[**] Term: **14 Years**

[21] Appl. No.: **837**

[57] **CLAIM**

[22] Filed: **Oct. 27, 1992**

The ornamental design for a brush, as shown and described.

[52] U.S. Cl. **D4/133**

[58] Field of Search D4/130-133,
D4/138; D28/63; 15/143.1, 159.1, 160, 186,
187

DESCRIPTION

[56] **References Cited**

U.S. PATENT DOCUMENTS

- D. 231,283 4/1974 Lindbo D4/132
- D. 231,284 4/1974 Lindbo D4/133
- D. 241,091 8/1976 Ahlstrom et al. D4/133

FIG. 1 is a perspective view of a brush showing my new design;

FIG. 2 is a side elevational view thereof, the opposite side being a mirror image;

FIG. 3 is a front elevational view thereof;

FIG. 4 is a rear elevational view thereof;

FIG. 5 is a top plan view thereof; and,

FIG. 6 is a bottom view thereof.

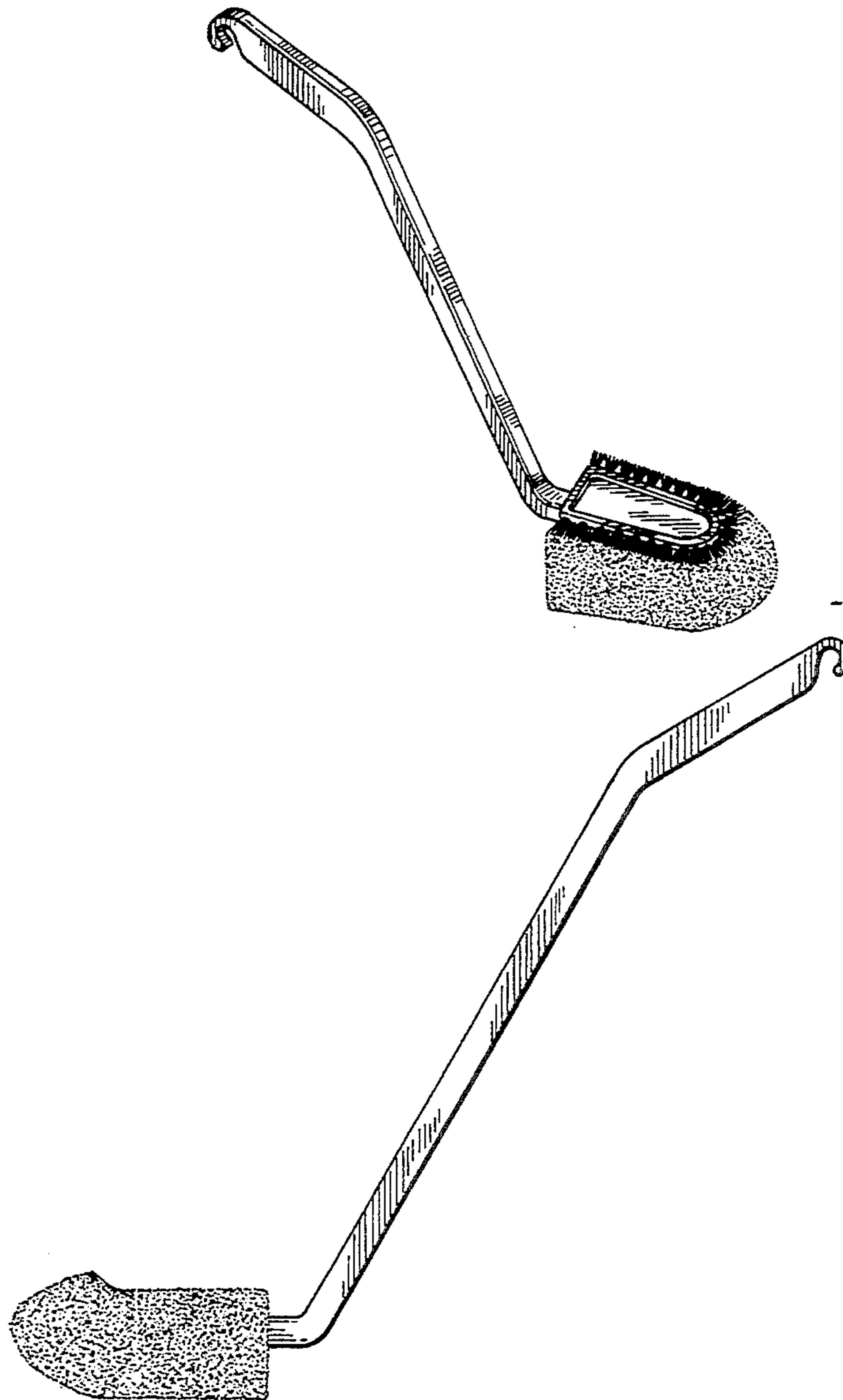


FIG. 1

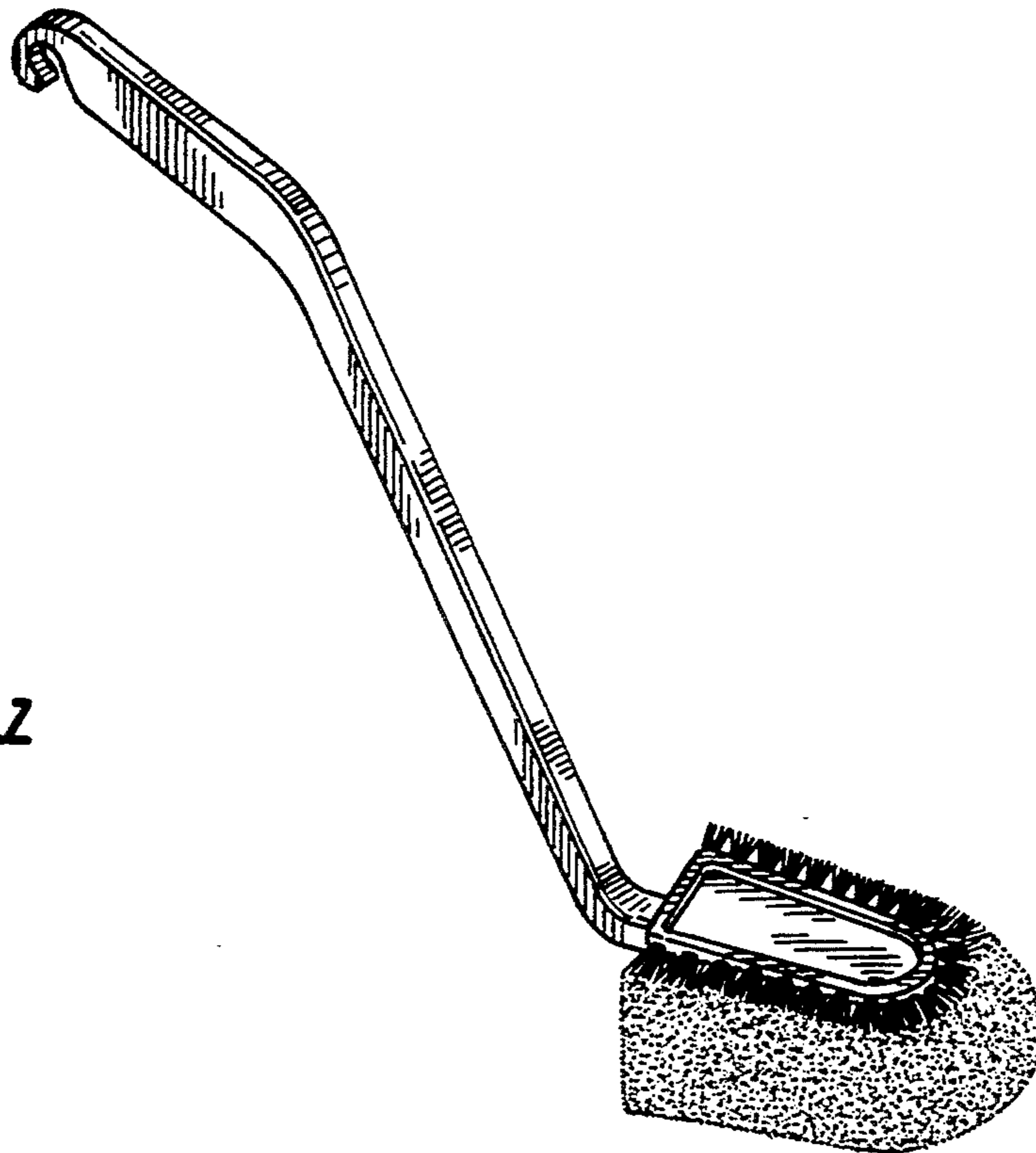


FIG. 2

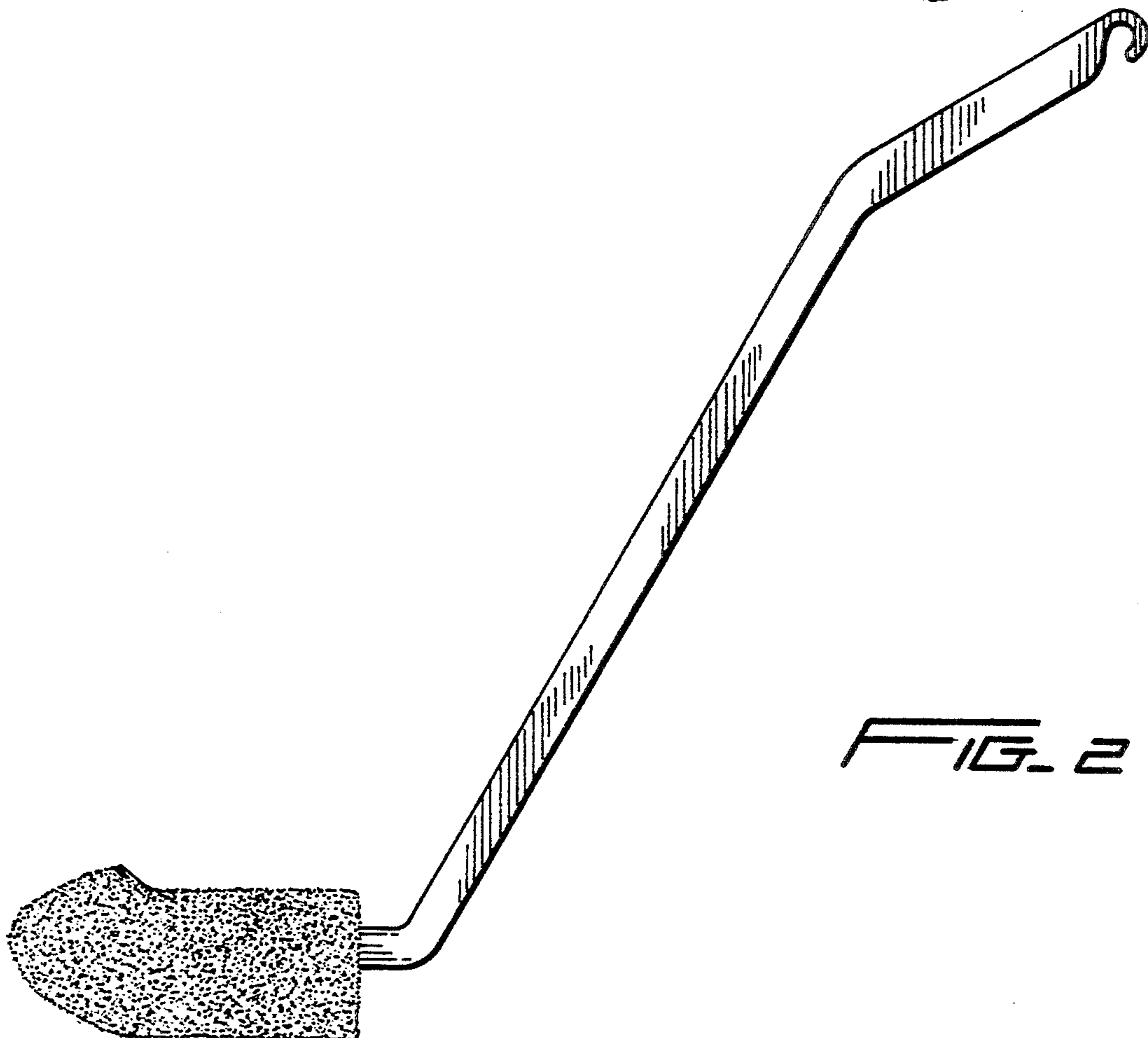


FIG. 3

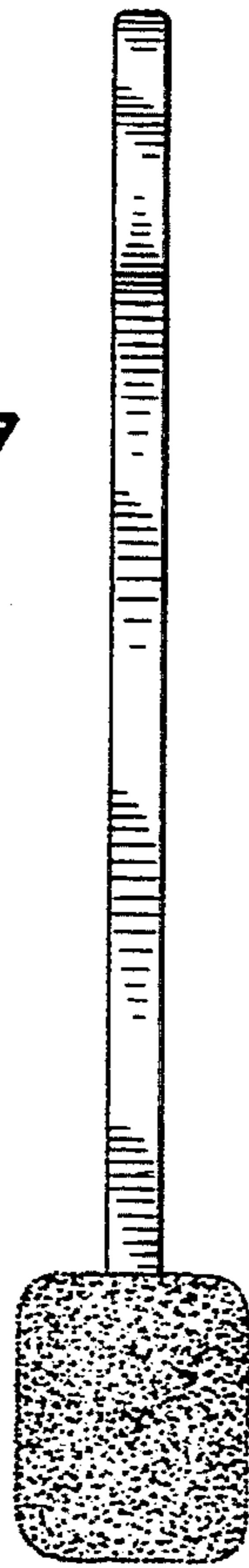


FIG. 4

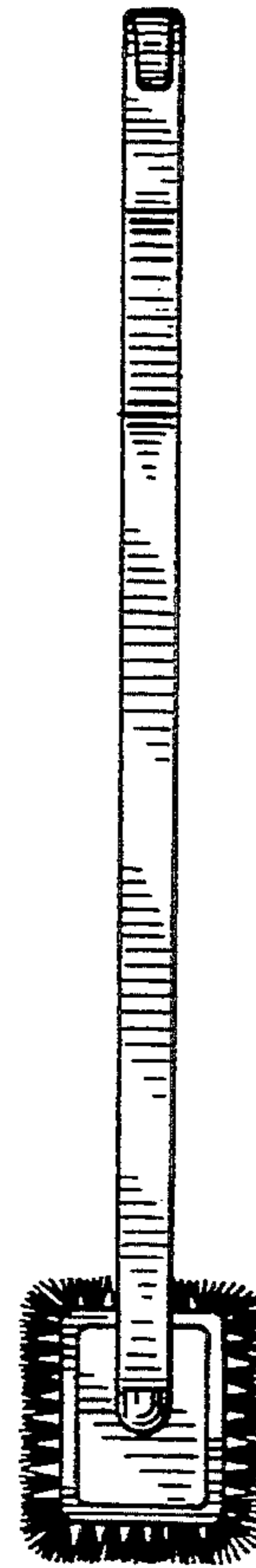


FIG. 5

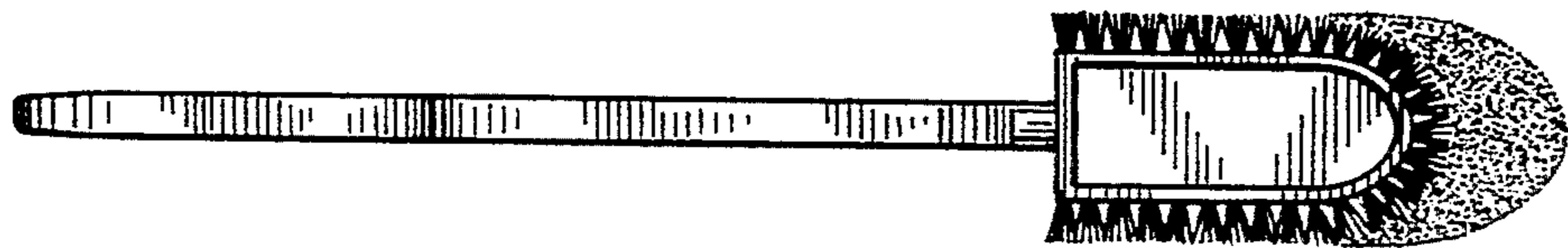


FIG. 6

