



US00D357585S

# United States Patent [19] Mollack

[11] Patent Number: **Des. 357,585**  
[45] Date of Patent: **\*\* Apr. 25, 1995**

[54] PAINTBRUSH  
[76] Inventor: **Jean C. Mollack**, 23 S. Poplar St.,  
Allentown, Pa. 18102  
[\*\*] Term: **14 Years**  
[21] Appl. No.: **10,391**  
[22] Filed: **Jul. 6, 1993**  
[52] U.S. Cl. .... **D4/132**  
[58] Field of Search ..... D4/121, 129, 132, 135,  
D4/138; 15/143.1, 159.1, 160, 168, 171, 190,  
191.1, 192, 193, 201

4,475,563 10/1984 Martin .  
4,483,036 11/1984 Sayklay ..... 15/160  
4,490,875 1/1985 Grunz .  
4,590,637 5/1986 Marino .  
4,842,132 6/1989 Wells .

*Primary Examiner*—Wallace R. Burke  
*Assistant Examiner*—Lavone D. Tabor  
*Attorney, Agent, or Firm*—Dann, Dorfman, Herrell and  
Skillman

### [57] CLAIM

The ornamental design for a paintbrush, as shown and described.

### [56] References Cited U.S. PATENT DOCUMENTS

168,363	10/1875	Baker	15/191.1
D. 206,996	2/1967	Blount	D4/121
D. 209,572	12/1967	Blount	D4/129
297,617	4/1884	Miles	15/168
2,789,298	4/1957	Peterson	.
3,214,778	11/1965	Mathison	.

### DESCRIPTION

FIG. 1 is a front elevation view of the paintbrush;  
FIG. 2 is a right-hand side view of the paintbrush  
shown in FIG. 1;  
FIG. 3 is a top view of the paintbrush;  
FIG. 4 is a rear elevation view of the paintbrush;  
FIG. 5 is a left-hand side view of the paintbrush; and,  
FIG. 6 is a bottom view of the paintbrush.

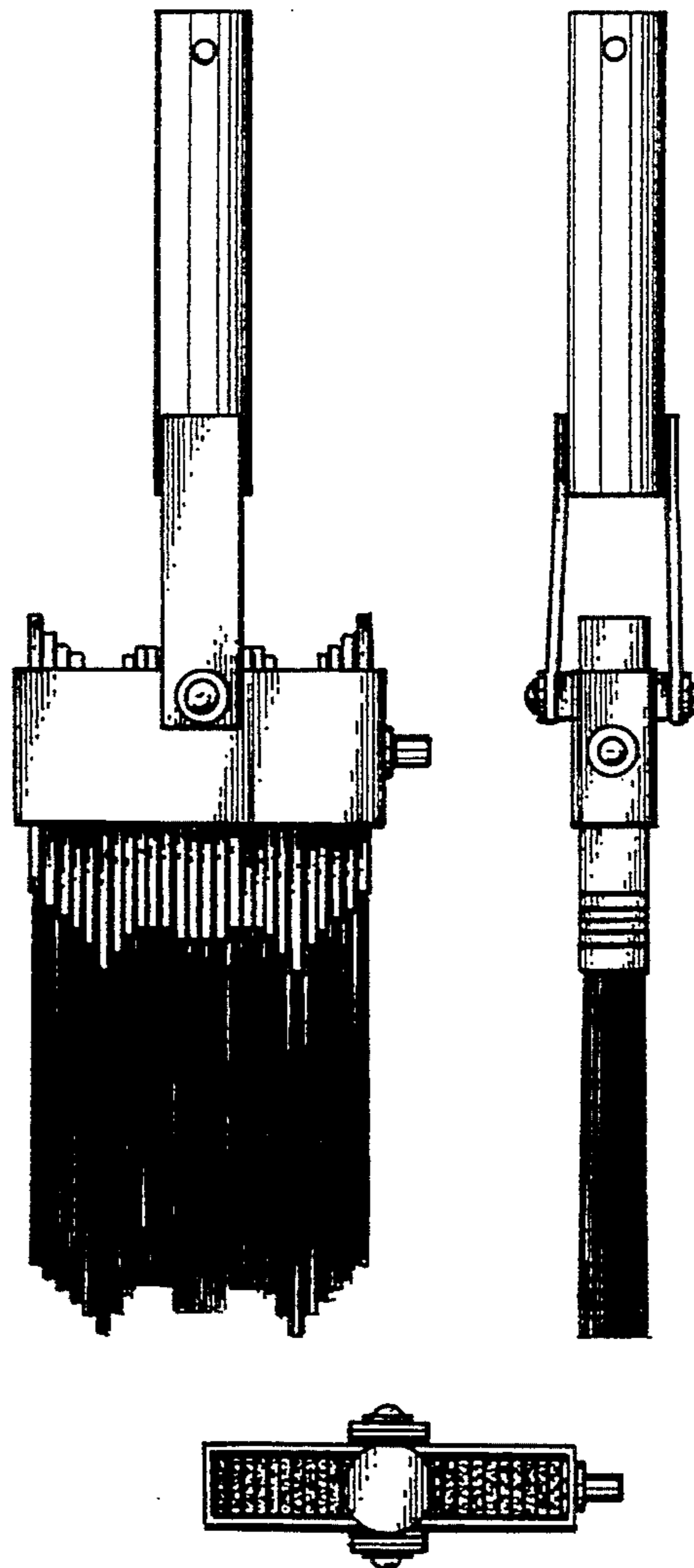


FIG. 1

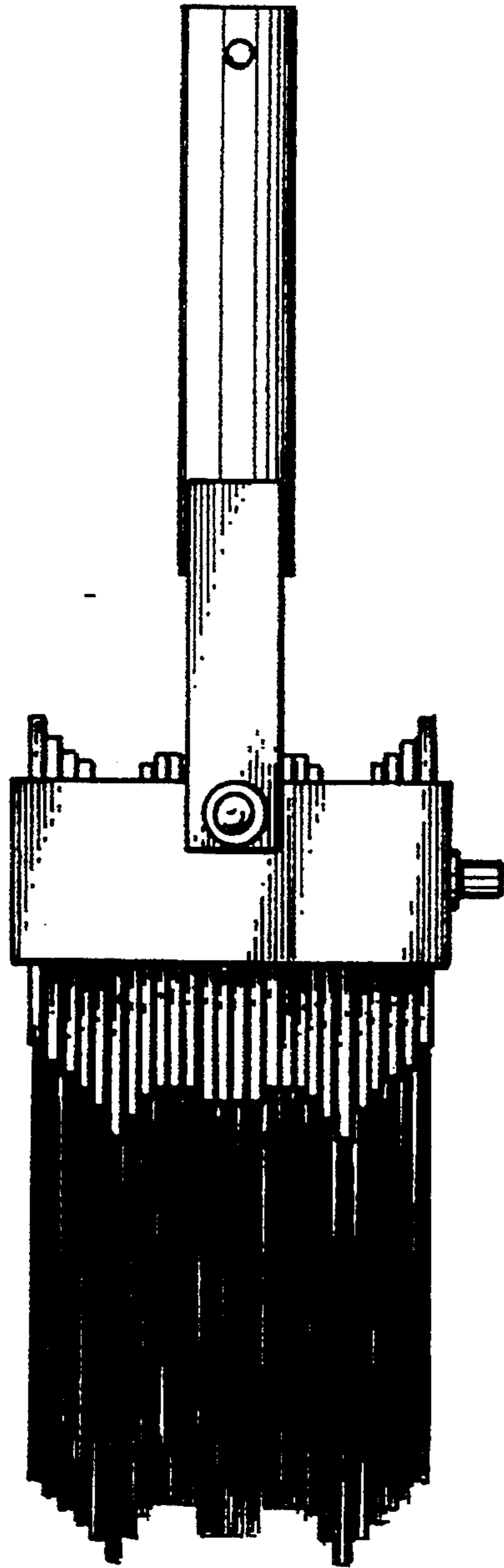


FIG. 2

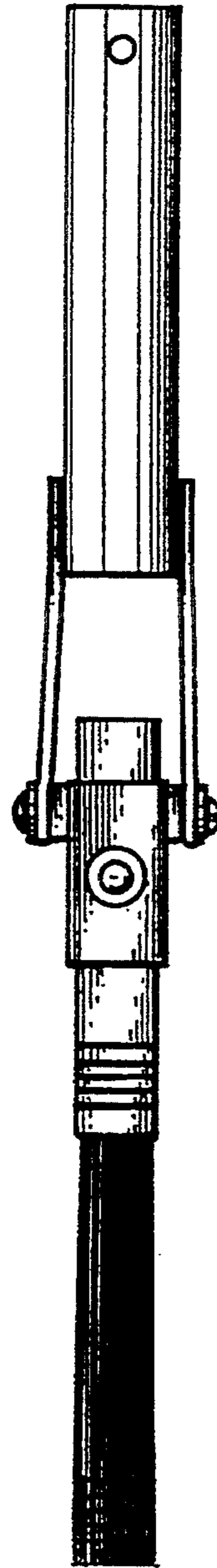


FIG. 3

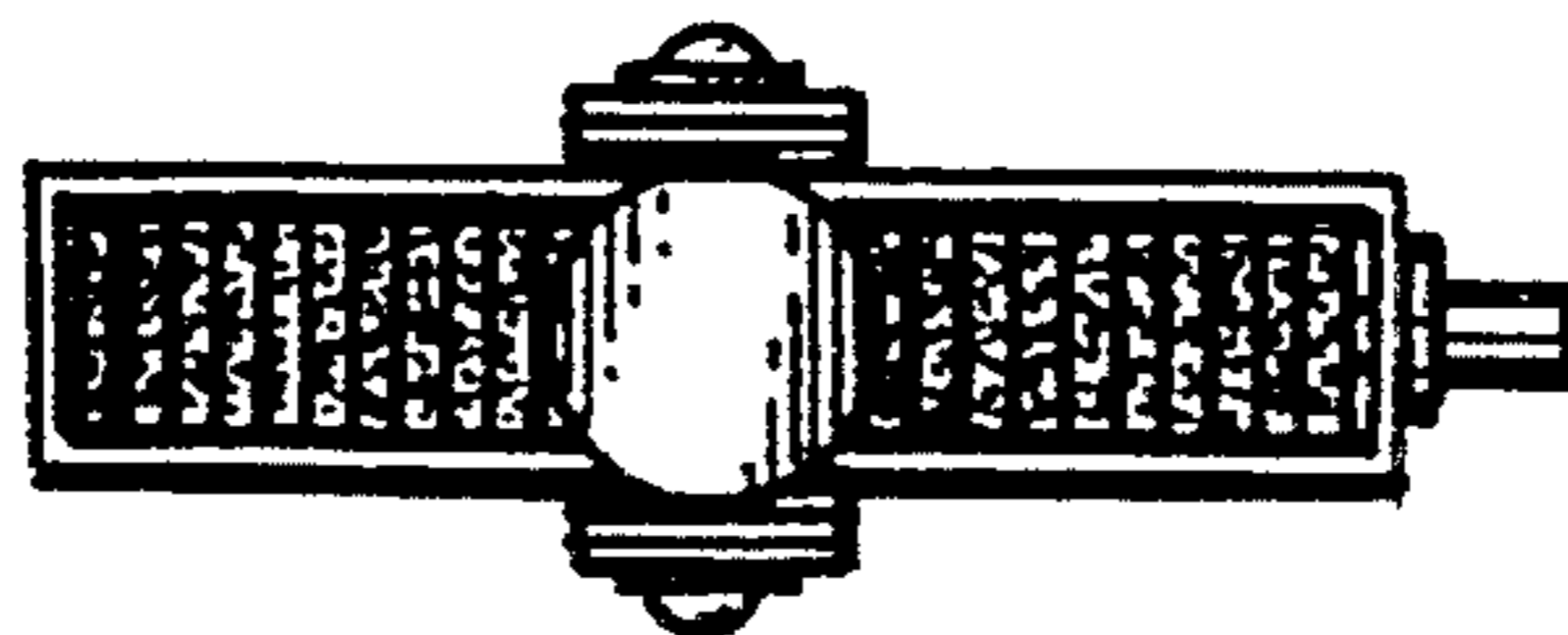


FIG. 4

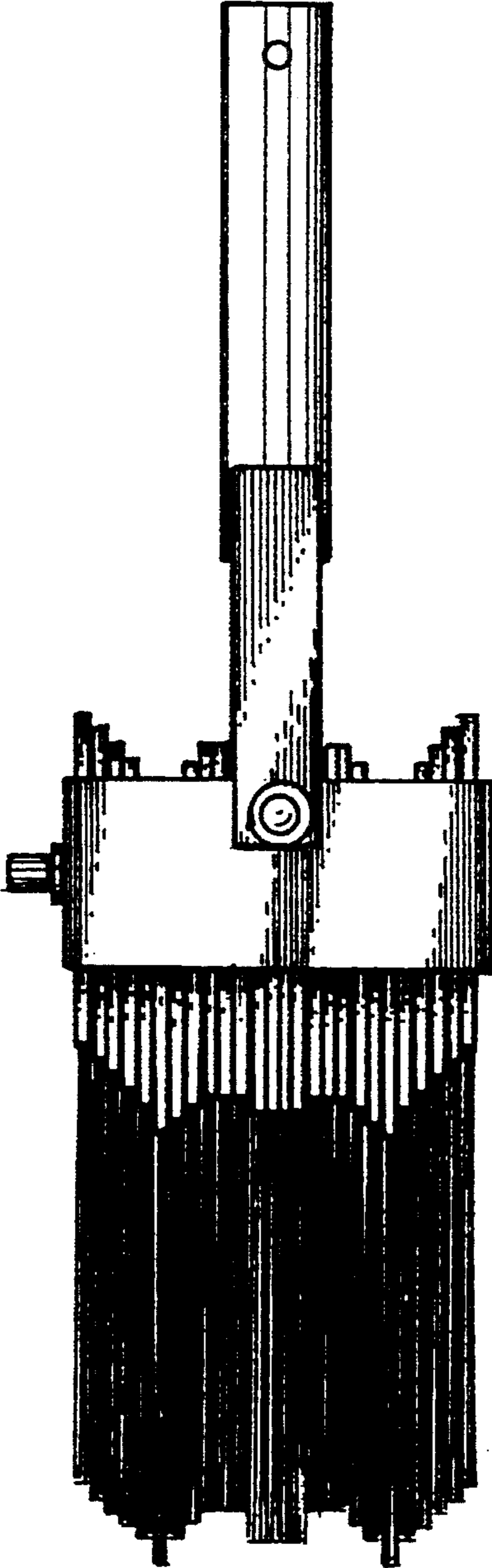


FIG. 5

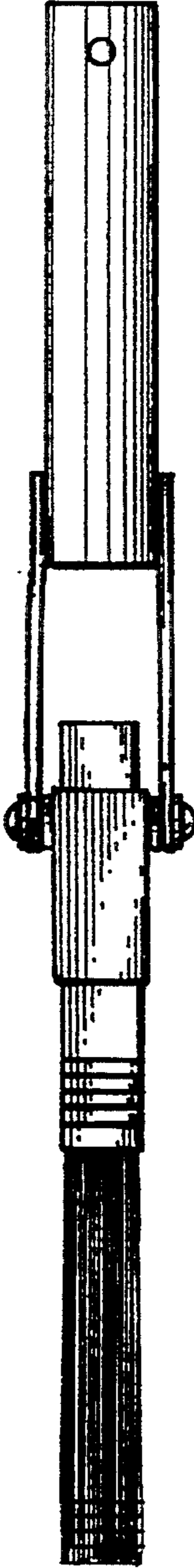


FIG. 6

