



US00D357584S

United States Patent [19] Swingler

[11] Patent Number: **Des. 357,584**

[45] Date of Patent: **** Apr. 25, 1995**

[54] CONTAINER FOR STORING HAIR BANDS

2,548,561 4/1951 Sewol D28/75

[76] Inventor: **Jean M. Swingler**, 1312 Asbury Dr.,
New Johnsonville, Tenn. 37134

OTHER PUBLICATIONS

Vogue, Jul. 15, 1939, p. 68—Mary Dunhill Lipsticks at upper right.

[**] Term: **14 Years**

Primary Examiner—Louis S. Zarfaz
Attorney, Agent, or Firm—Terry M. Gernstein

[21] Appl. No.: **6,245**

[57] CLAIM

[22] Filed: **Mar. 23, 1993**

[52] U.S. Cl. **D3/300; D28/88**

[58] Field of Search **D3/205, 300, 901;
D9/504; D28/88-90, 73, 75**

The ornamental design for a container for storing hair bands, as shown and described.

DESCRIPTION

[56] References Cited

U.S. PATENT DOCUMENTS

D. 23,449	7/1894	Bourne	D3/300
D. 130,433	11/1941	Lewis	D9/504
D. 151,678	11/1948	Blouin	D28/75
D. 320,885	10/1991	Fitzhugh	D3/300
D. 343,699	1/1994	Yang	D28/88
2,201,467	5/1940	Bloom	D28/89 X

FIG. 1 is a front, top and side perspective view of the container for storing hair bands showing my new design in open condition;

FIG. 2 is a typical elevational view thereof, all elevational views being identical to the view shown in FIG. 2;

FIG. 3 is a top plan view thereof; and,
FIG. 4 is a bottom plan view thereof.

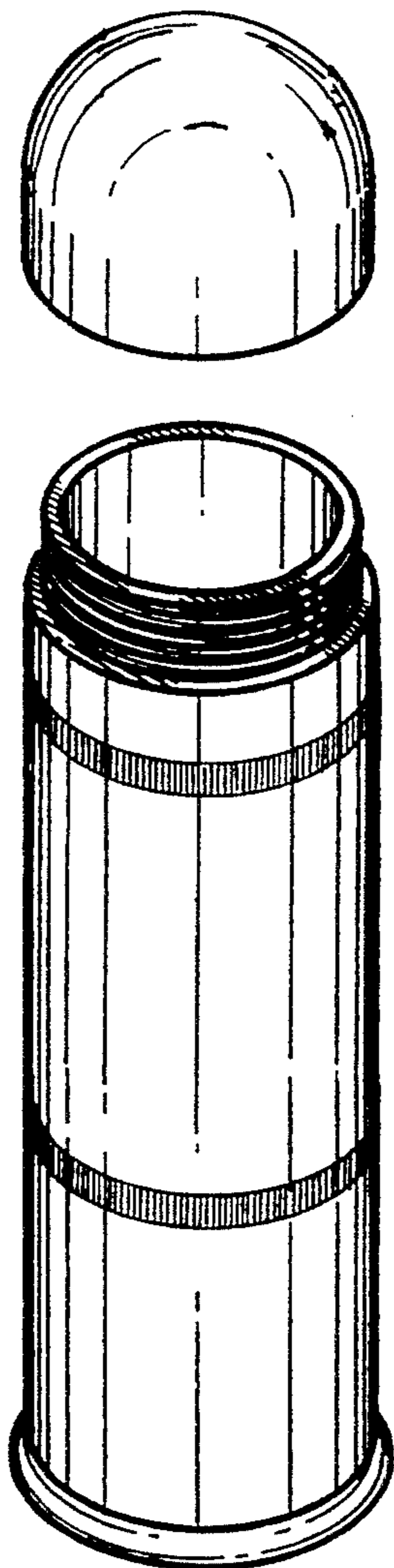
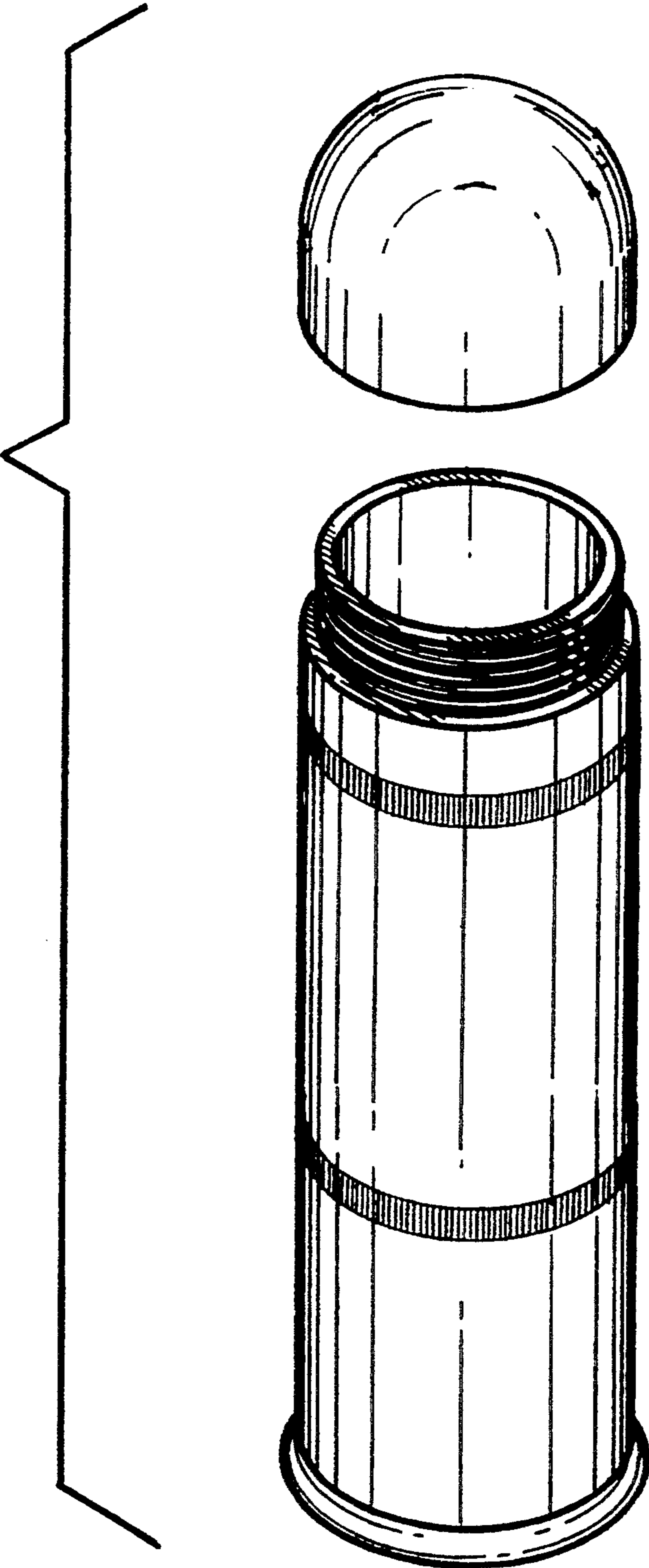


FIG. 1



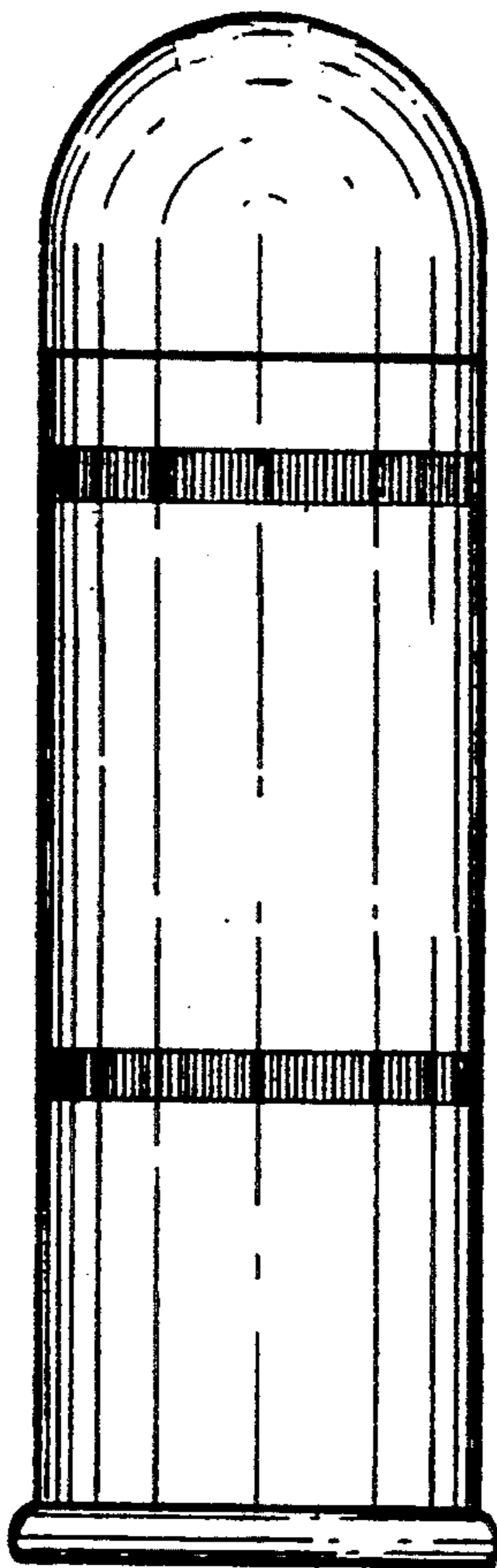


FIG. 2

FIG. 3

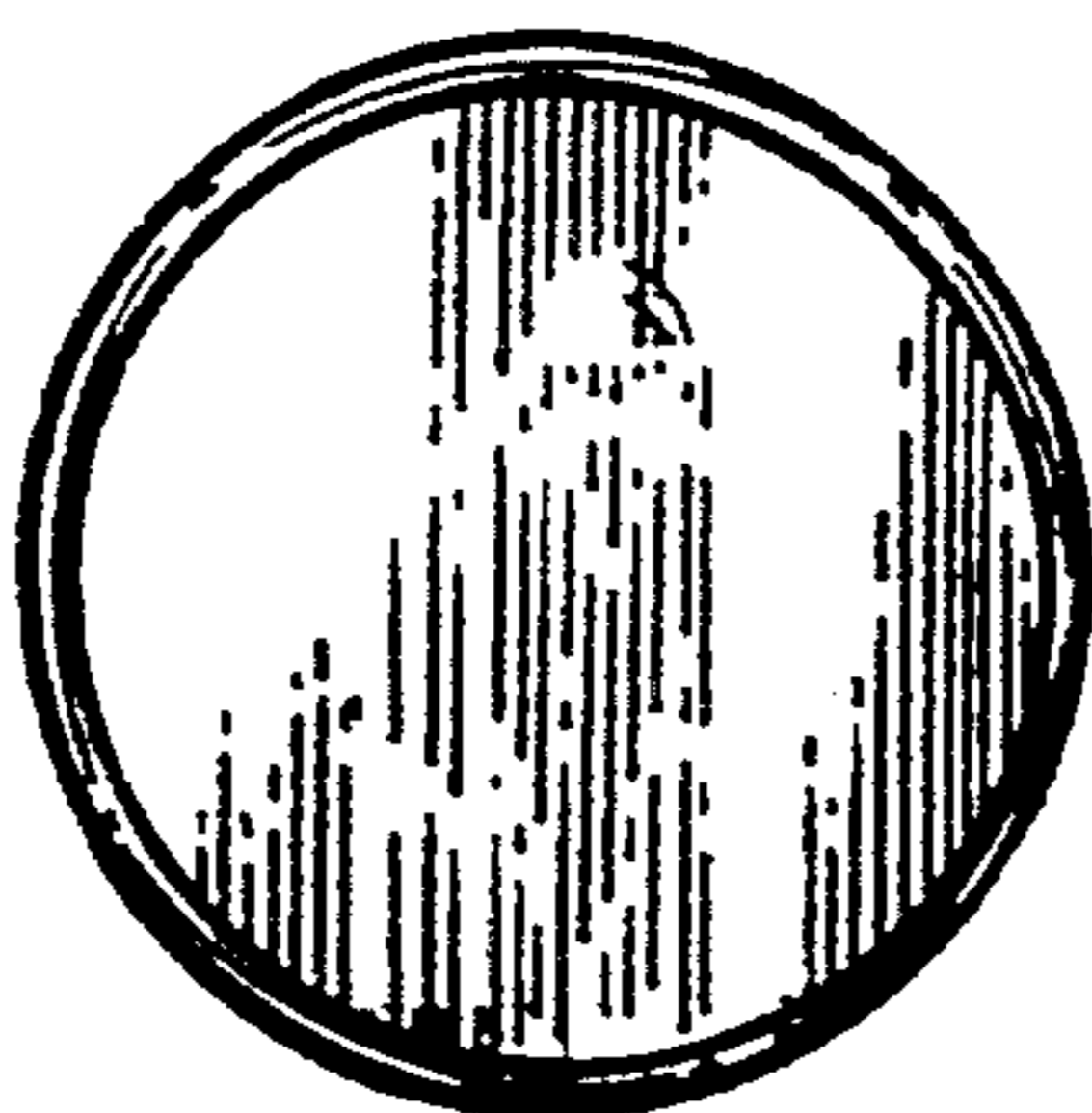
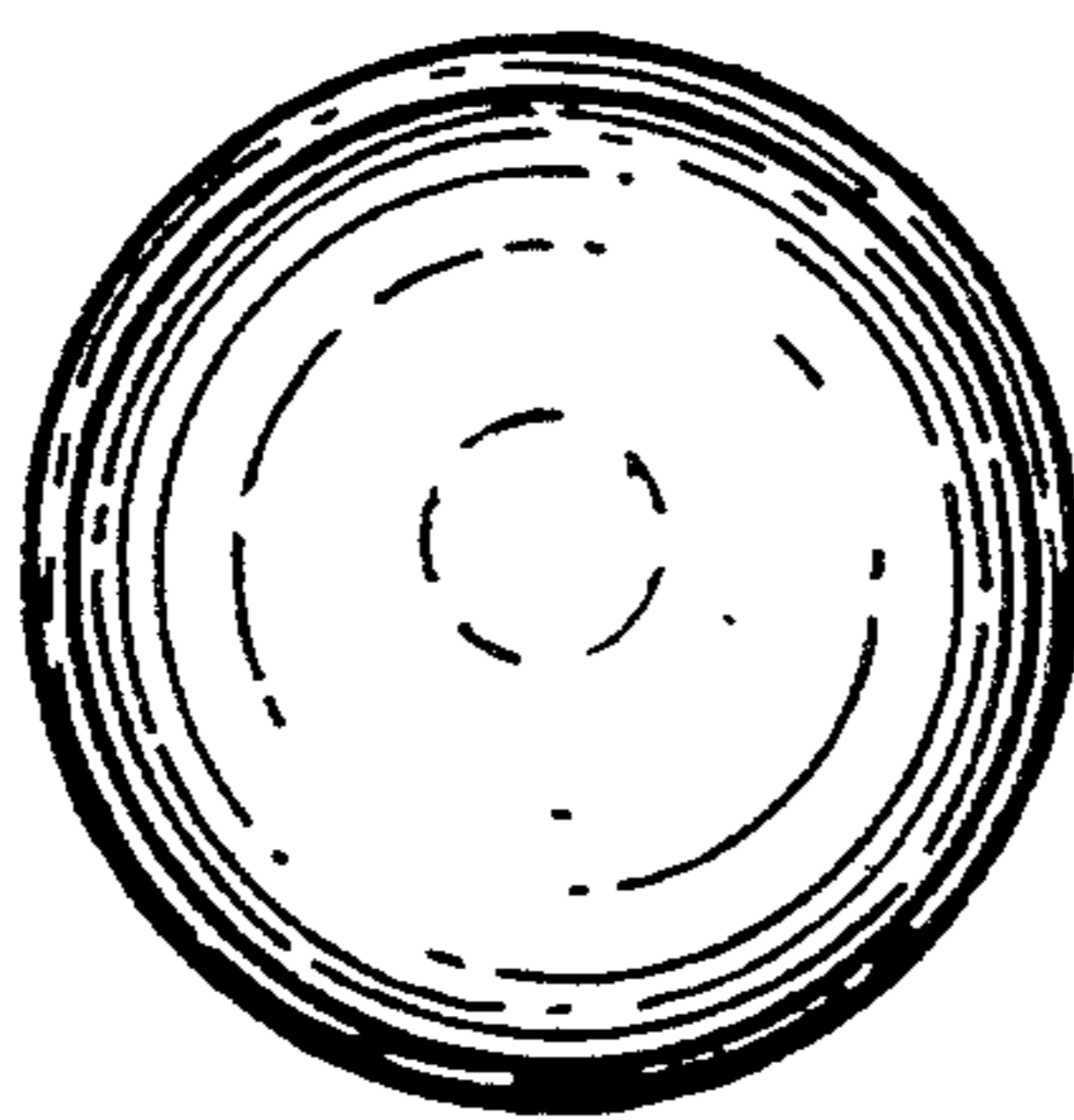


FIG. 4