



US00D357582S

# United States Patent [19]

[11] Patent Number: **Des. 357,582**

Anderson et al.

[45] Date of Patent: **\*\* Apr. 25, 1995**

[54] CARRYING CASE FOR COSMETICS

[75] Inventors: **Eric Anderson, Maplewood; Thomas Van Dyk, Prospect Park, both of N.J.**

[73] Assignee: **Goody Products, Inc., Kearny, N.J.**

[\*\*] Term: **14 Years**

[21] Appl. No.: **8,263**

[22] Filed: **May 12, 1993**

[52] U.S. Cl. .... **D3/281; D3/901**

[58] Field of Search ..... **D3/201, 205, 240, 315, D3/273, 275, 276, 281, 283, 291, 901, 902, 904, 905; 206/315.11, 373, 581; 312/DIG. 33; 190/111, 112, 114, 100, 109; 150/100, 117**

3,258,017	6/1966	Albert .	
3,410,018	11/1968	Woolworth .....	206/315.11 X
3,537,552	11/1970	Noble .....	190/111
3,732,955	5/1973	Carter et al. ....	190/111 X
4,717,024	1/1988	Djezovic .	
4,821,751	4/1989	Chen .	
4,936,463	6/1990	Tiramani .	
4,960,204	10/1990	Young et al. ....	190/111 X

*Primary Examiner*—Melvin B. Feifer  
*Assistant Examiner*—Paula Mortimer  
*Attorney, Agent, or Firm*—Foley & Lardner

### [57] CLAIM

The ornamental design for a carrying case for cosmetics, as shown and described.

### DESCRIPTION

FIG. 1 is a front perspective view of a carrying case for cosmetics showing our new design in a closed position; FIG. 2 is a top view thereof; FIG. 3 is a front elevational view thereof; FIG. 4 is a bottom view thereof; FIG. 5 is a rear view thereof; FIG. 6 is a right side view thereof; FIG. 7 is a left side view thereof; and, FIG. 8 is a front perspective view thereof, in an open position.

### [56] References Cited

#### U.S. PATENT DOCUMENTS

D. 166,668	5/1952	Hardy .	
D. 181,880	1/1958	Rosen et al. .	
D. 200,141	1/1965	Feinberg .	
D. 249,590	9/1978	Berkman .....	D3/905 X
D. 261,386	10/1981	Beaubien et al. .	
D. 291,139	7/1987	Warwicker .	
D. 303,874	10/1989	Wei-Mu .	
D. 315,247	3/1991	Lovell .	
D. 325,123	4/1992	Tiramani .	

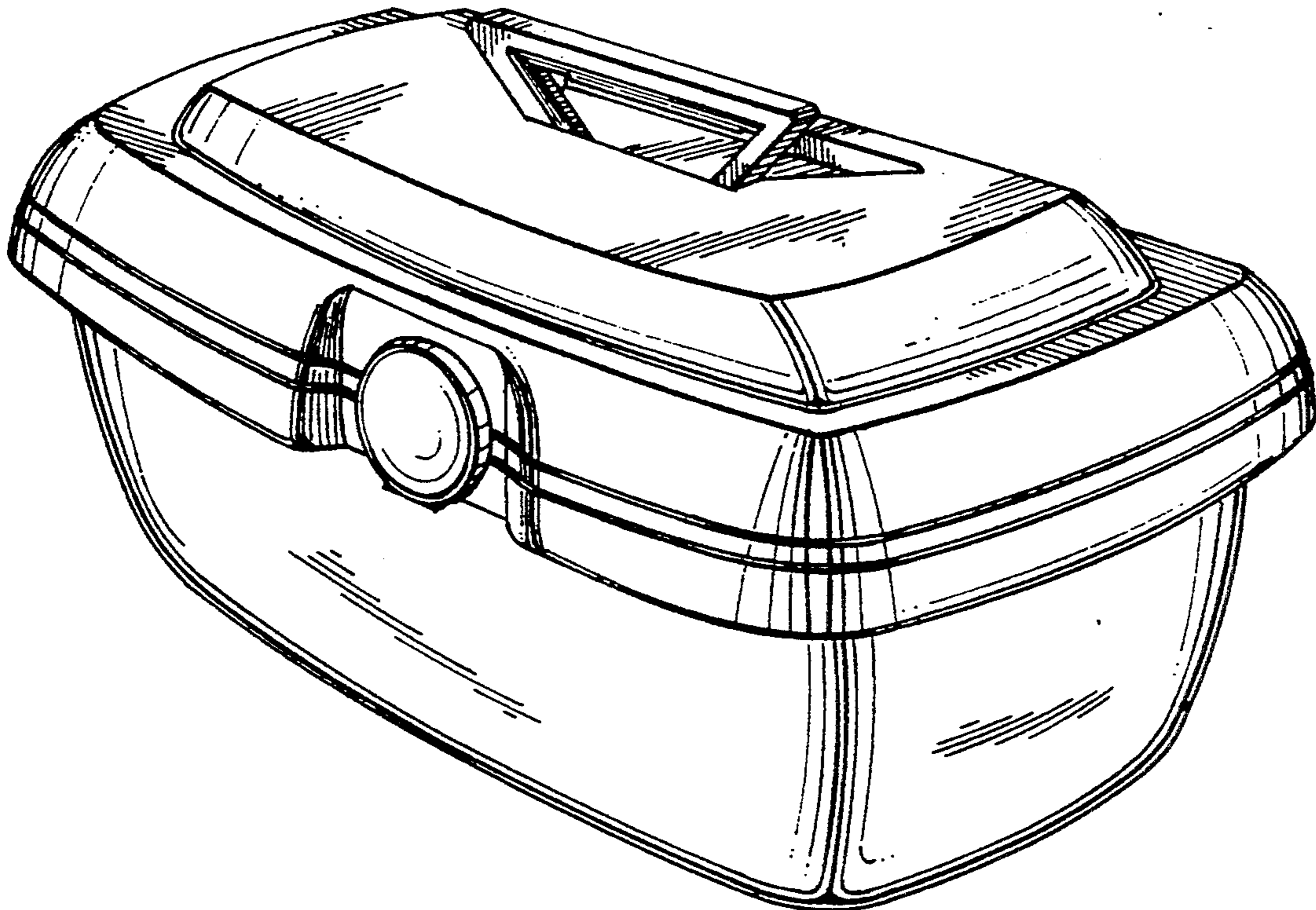


FIG. 1

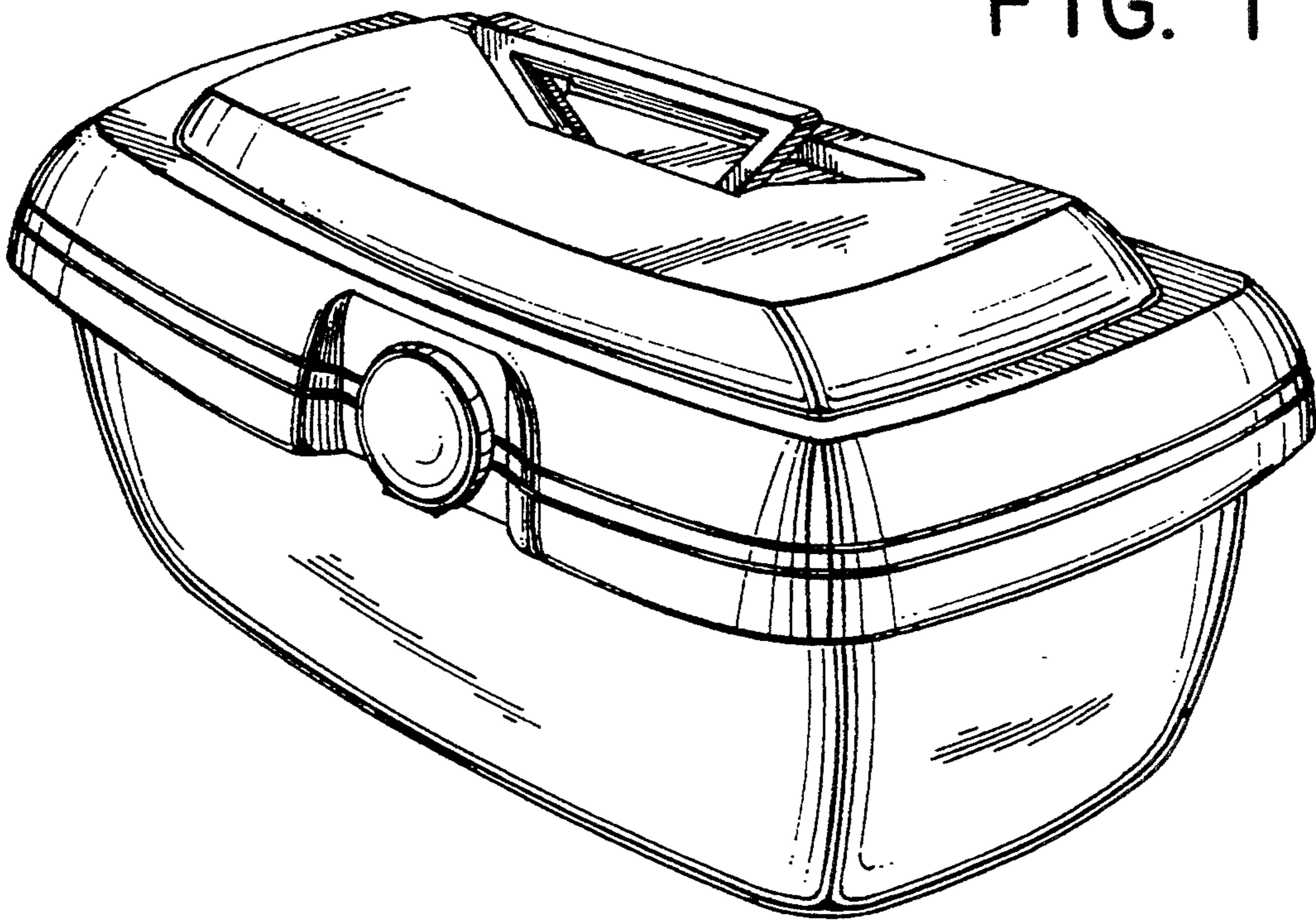


FIG. 2

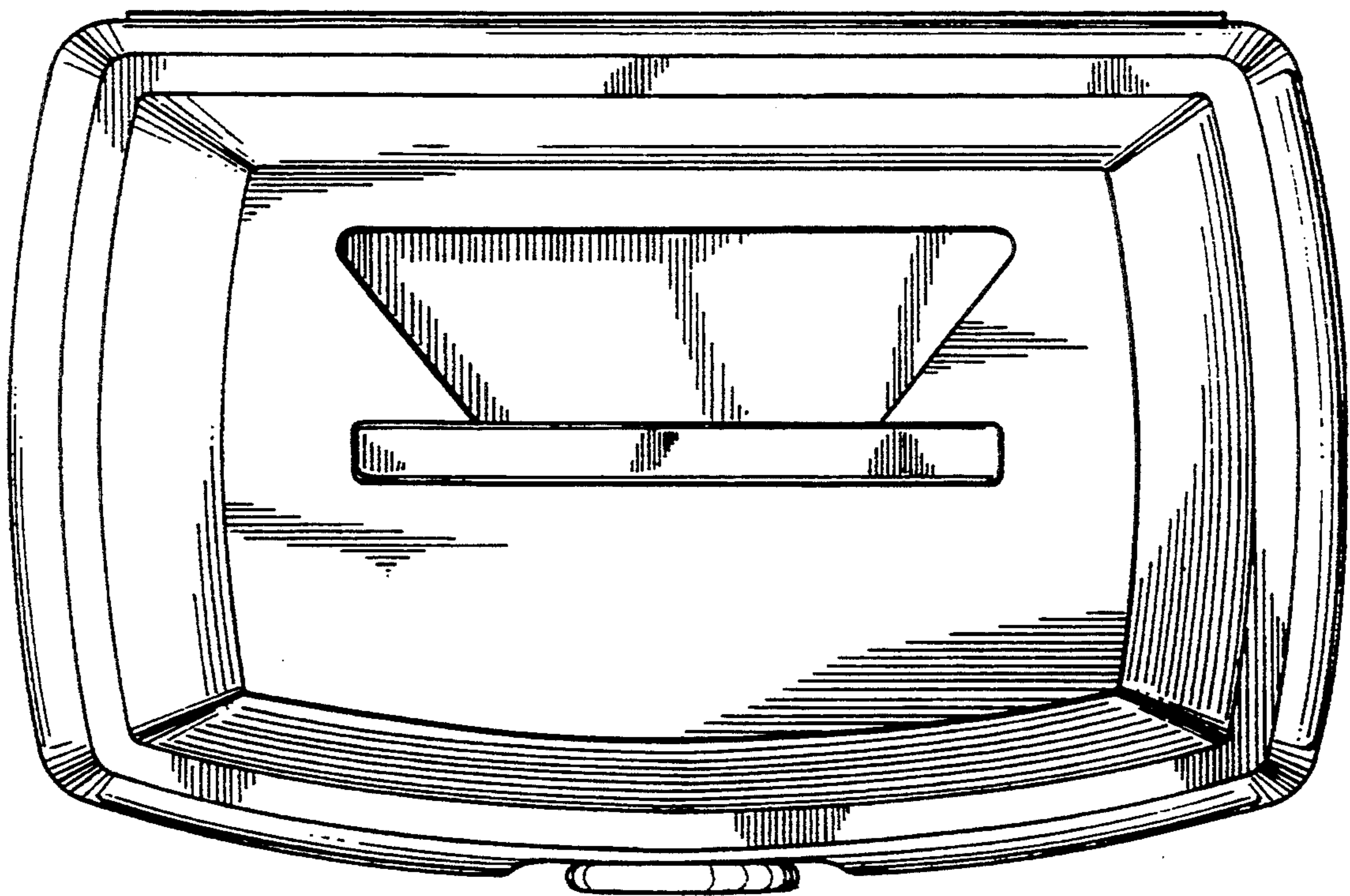


FIG. 3

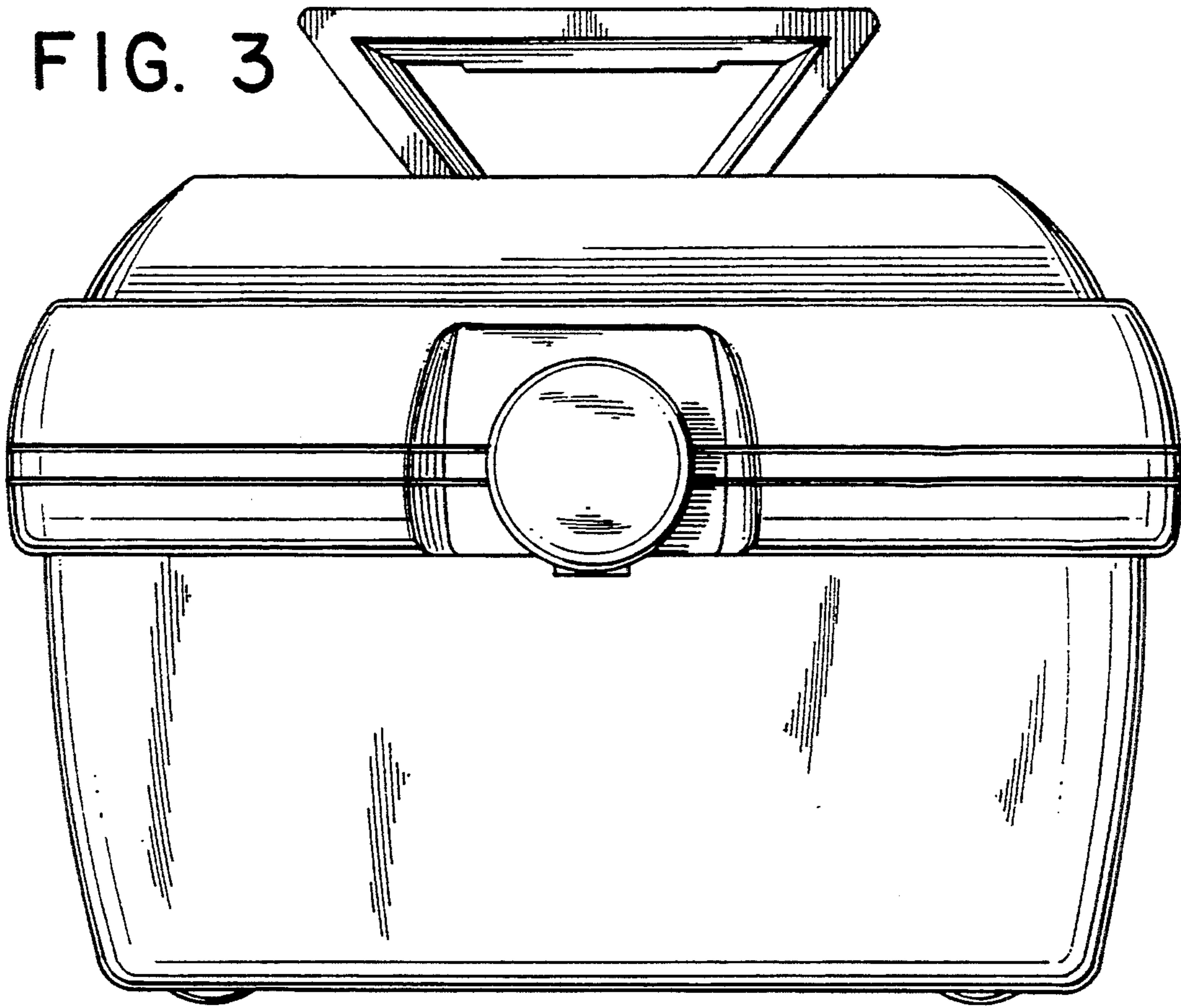


FIG. 4

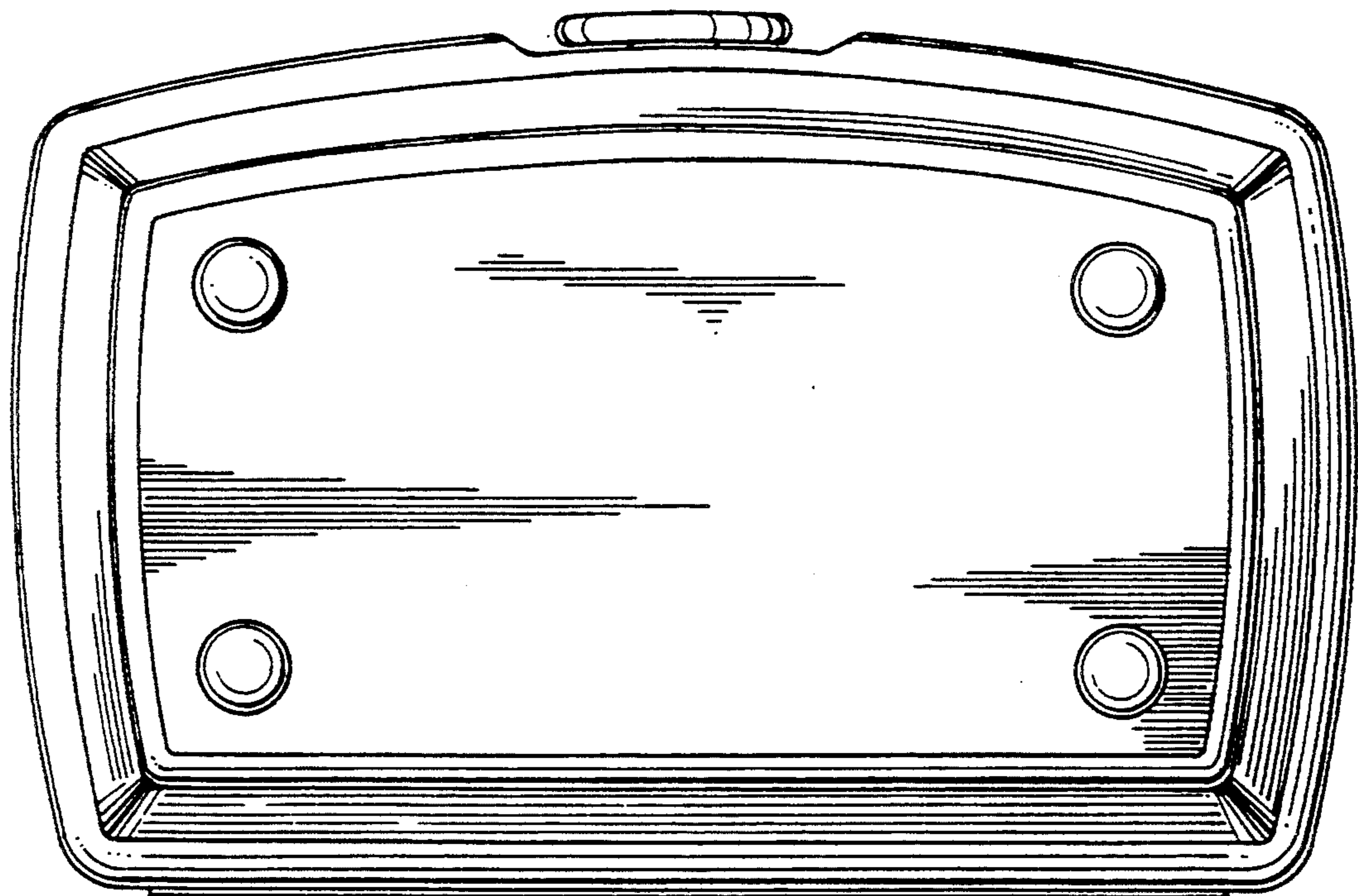


FIG. 5

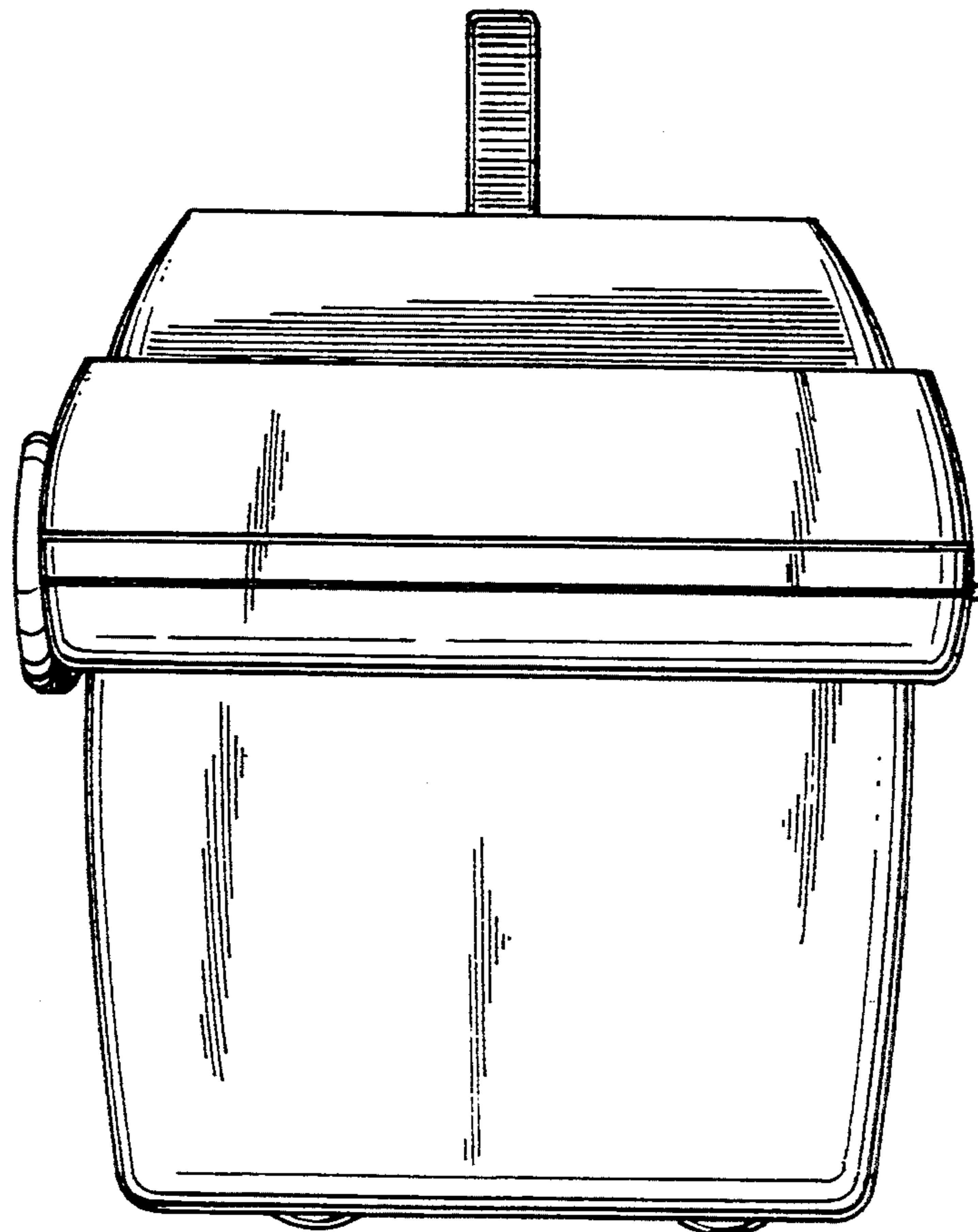
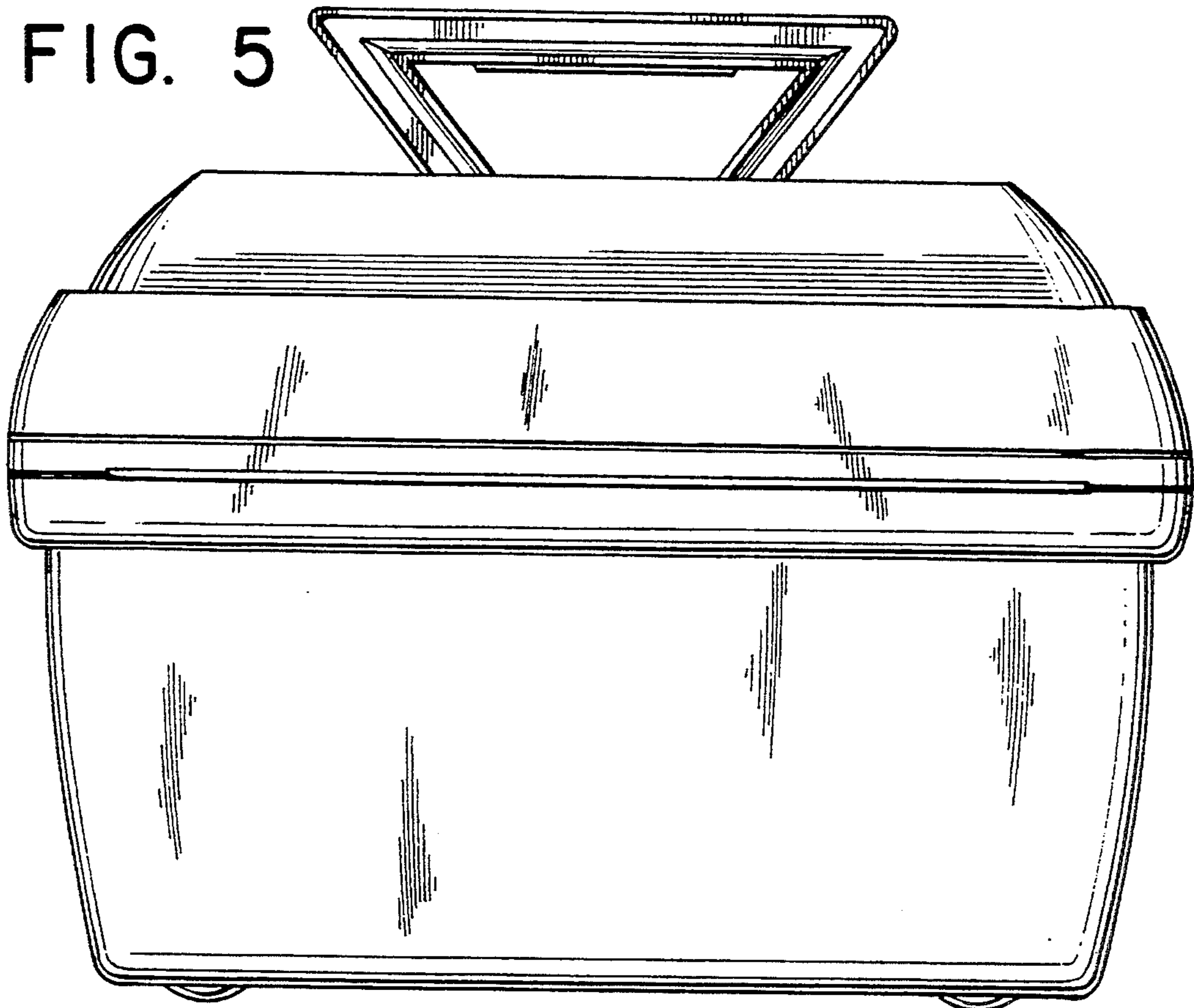


FIG. 6

FIG. 7

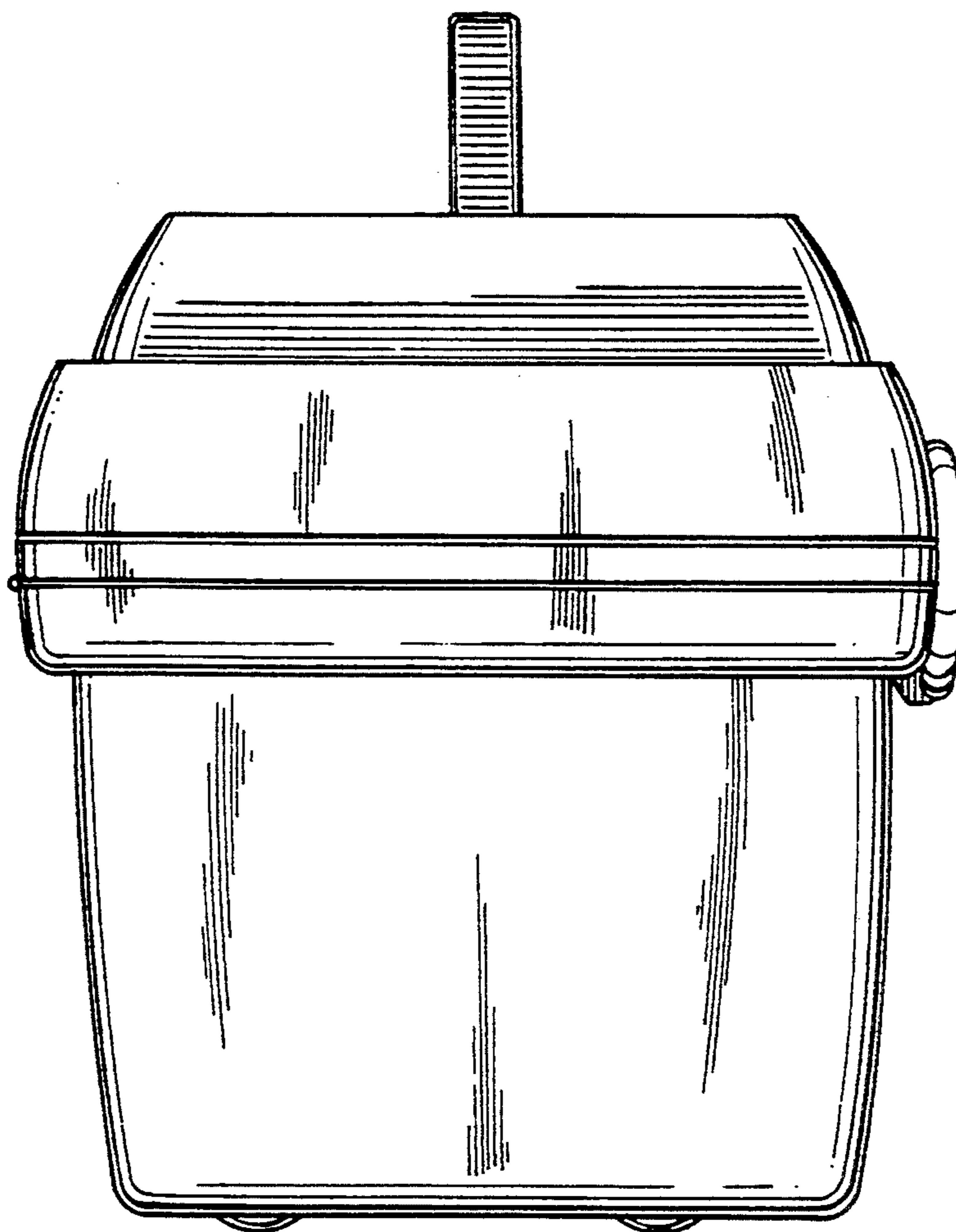


FIG. 8

