



US00D357581S

United States Patent [19]

[11] Patent Number: **Des. 357,581**

Rogers et al.

[45] Date of Patent: **** Apr. 25, 1995**

[54] **PORTABLE ENVELOPE-ORGANIZING TOTE**

D. 209,373 11/1967 Gordon D3/282 X
D. 216,572 2/1970 Vengryn D3/295
571,124 11/1896 Hurd 190/111

[75] Inventors: **Lisa W. Rogers; John A. Thompson, III; Michael C. Kuchar**, all of Houston, Tex.; **Ronald J. Kokot**, Milwaukee, Wis.; **Scott A. Kelley**, Houston, Tex.

Primary Examiner—Terry A. Wallace
Assistant Examiner—Dominic Simone
Attorney, Agent, or Firm—Arnold, White & Durkee

[73] Assignee: **KVM Technologies, Inc.**, Houston, Tex.

[57] **CLAIM**

The ornamental design for the portable envelope-organizing tote, as shown in FIGS. 1-6.

[**] Term: **14 Years**

DESCRIPTION

[21] Appl. No.: **16,011**

FIG. 1 is an isometric view of a portable envelope-organizing tote, in a closed position; FIG. 2 is a front elevation view of a portable envelope-organizing tote, in a closed position; FIG. 3 is a rear elevation view of a portable envelope-organizing tote, in a closed position; FIG. 4 is a first side elevation view of a portable envelope-organizing tote, in a closed position; FIG. 5 is a second side elevation view of a portable envelope-organizing tote, in a closed position; and, FIG. 6 is a top plan view of a portable envelope-organizing tote, in a closed position.

[22] Filed: **Dec. 3, 1993**

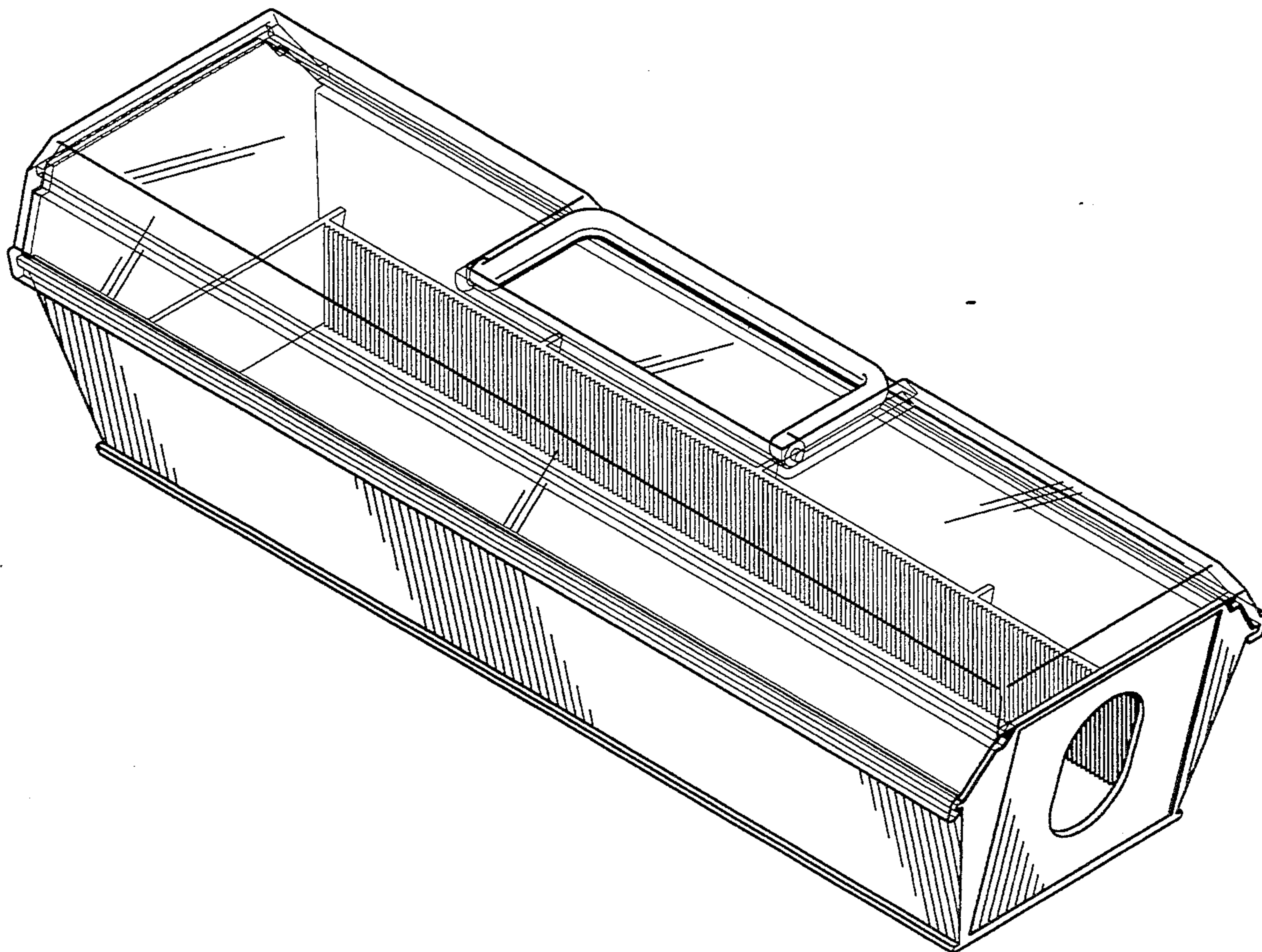
[52] U.S. Cl. **D3/276; D3/273**

[58] Field of Search **D3/273, 276, 282, 295; D19/75, 76, 90; 190/100, 115; 206/425; 220/500, 503, 504, 506, 510, 522, 528, 529**

[56] **References Cited**

U.S. PATENT DOCUMENTS

D. 138,665 8/1944 Wilkie D3/295



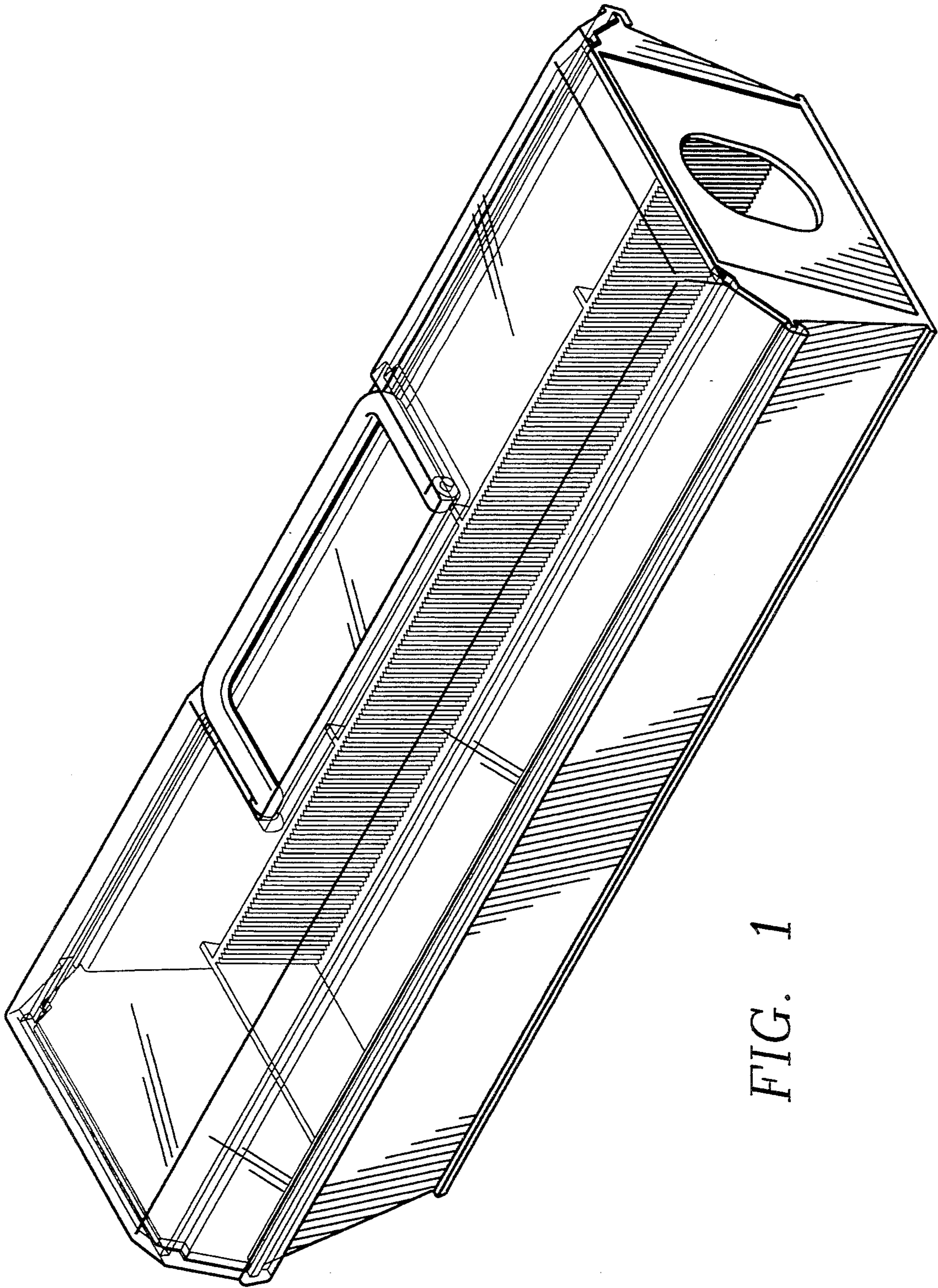


FIG. 1

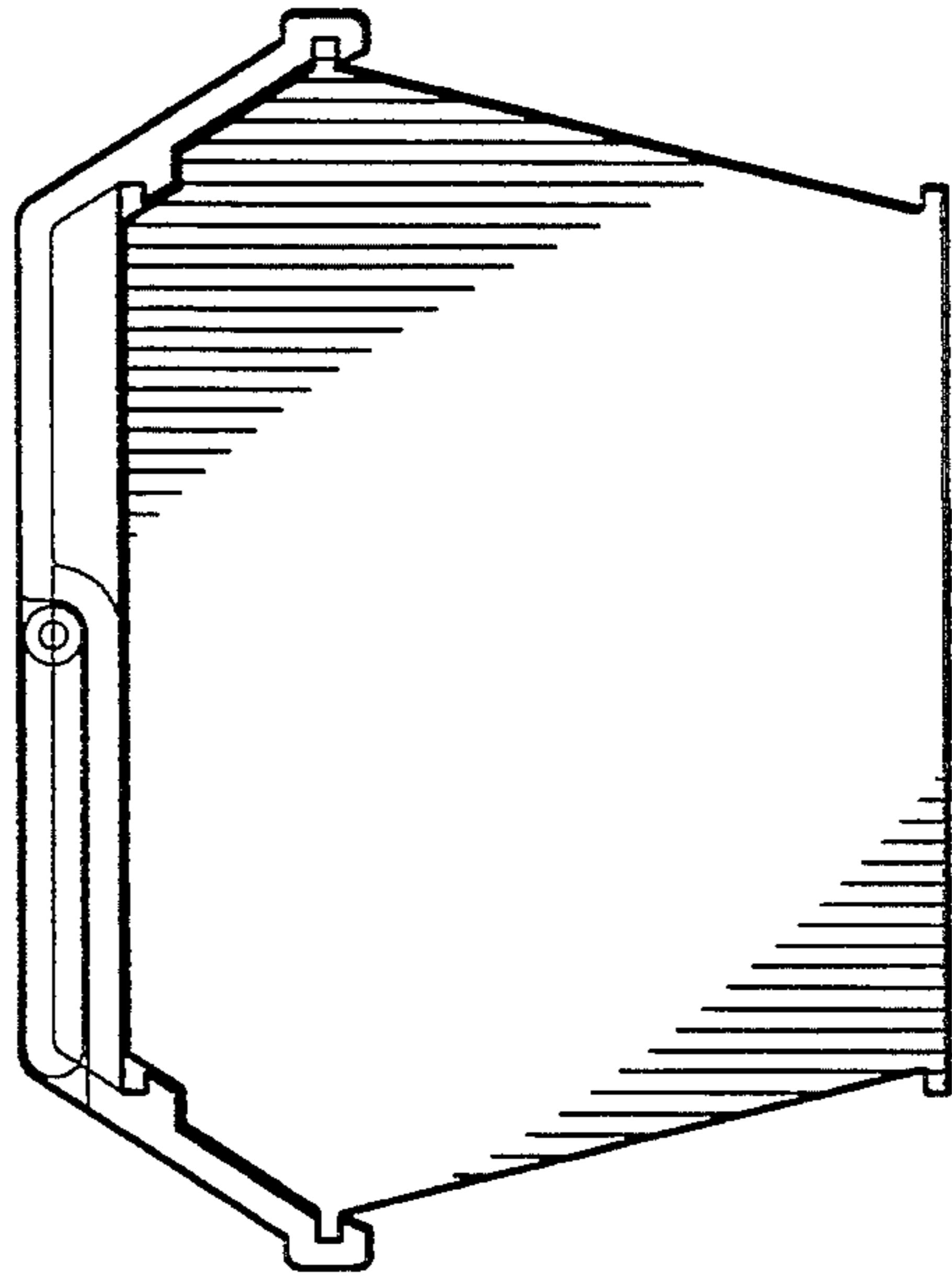


FIG. 2

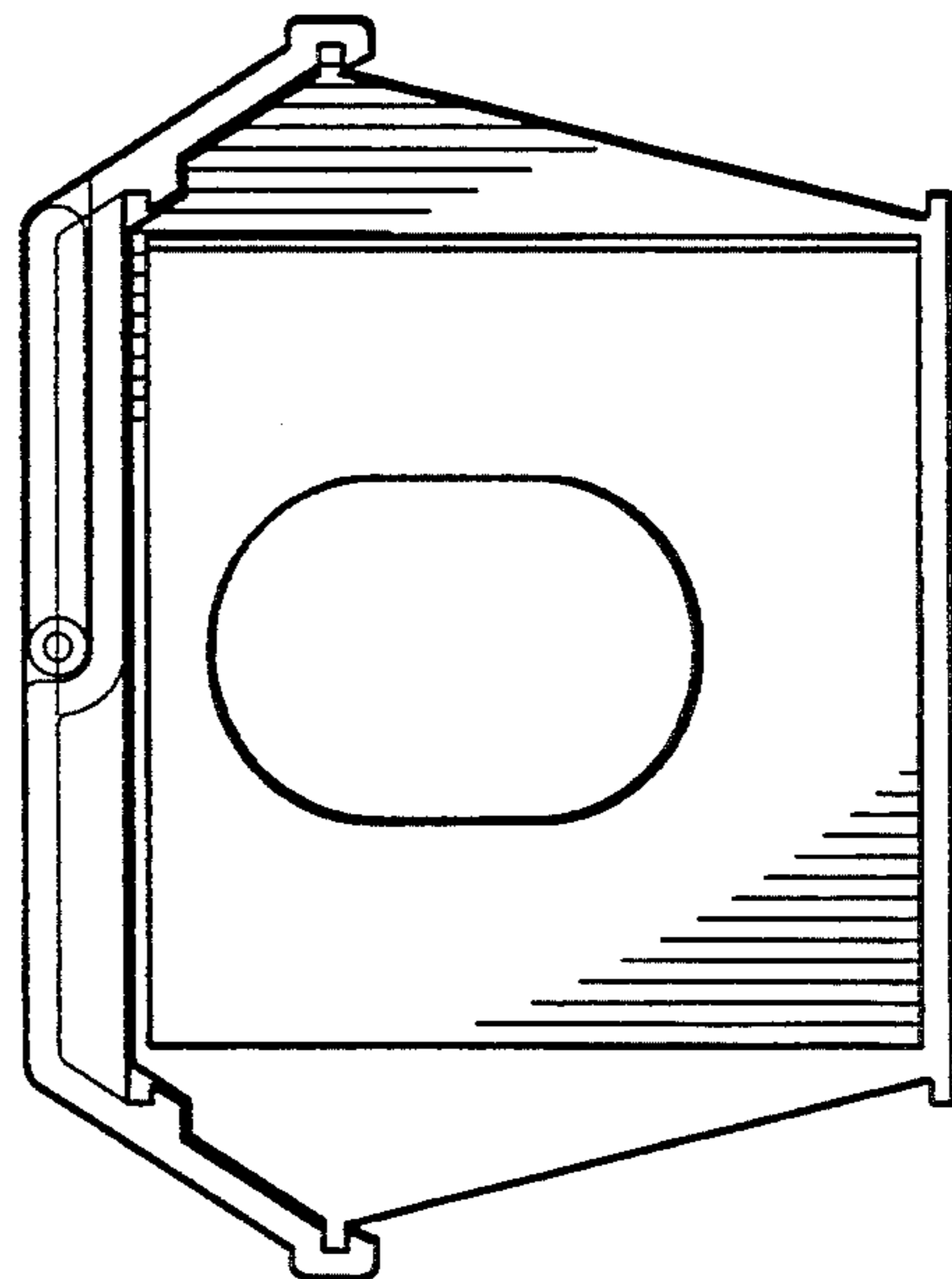


FIG. 3

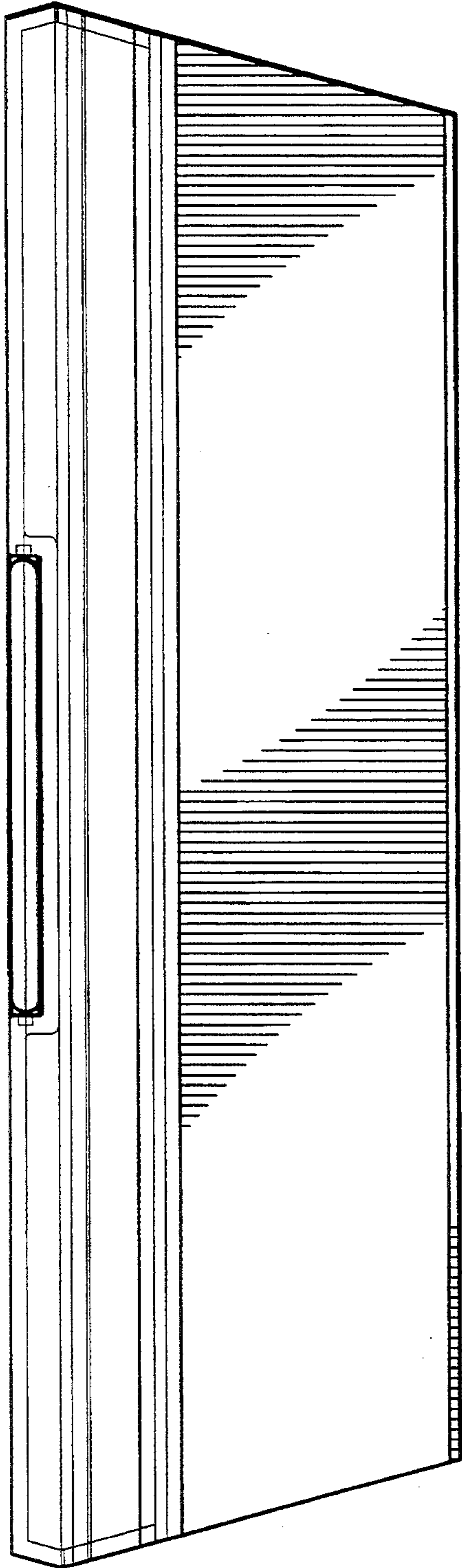


FIG. 4

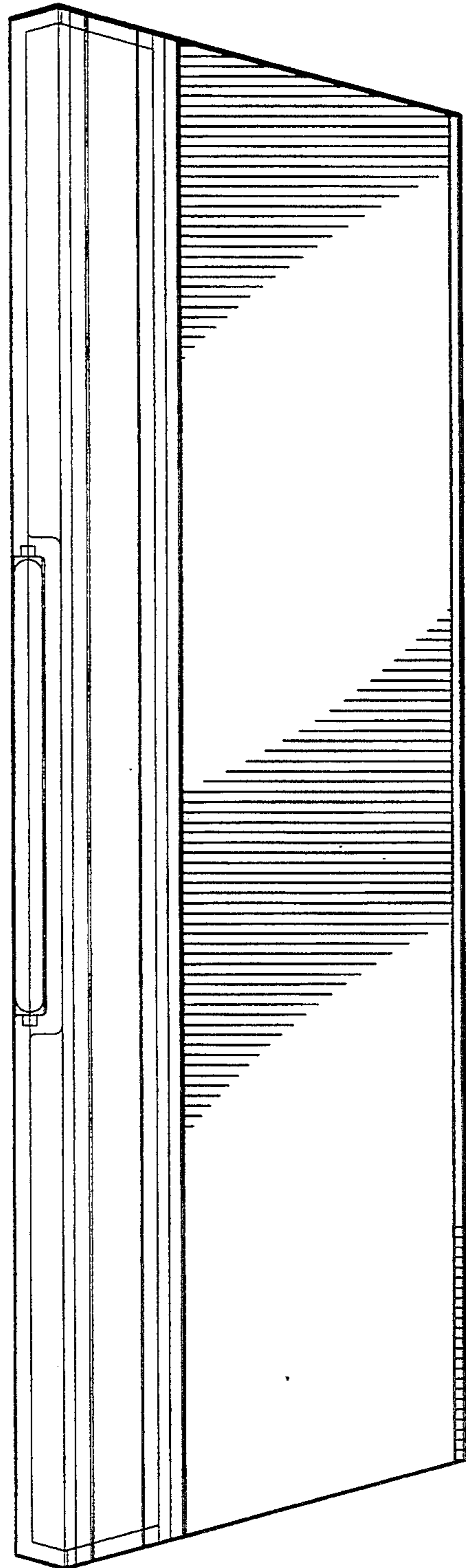


FIG. 5

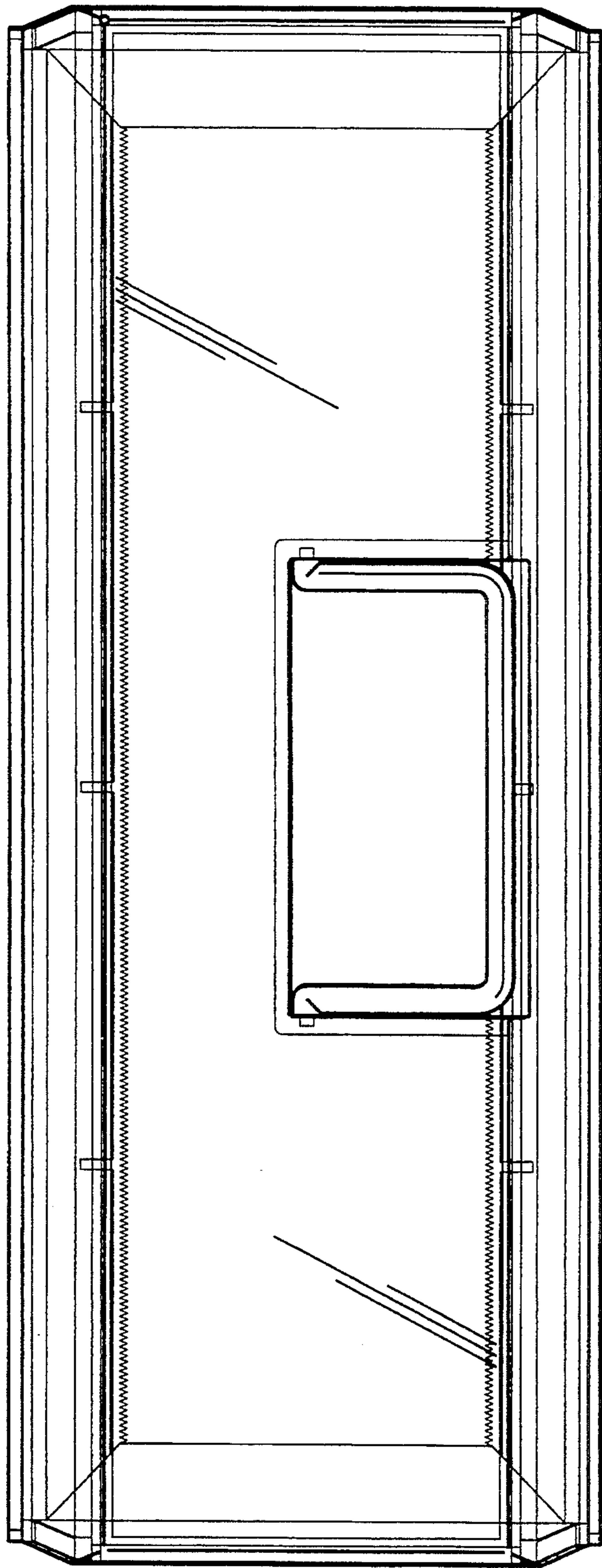


FIG. 6