



US00D357580S

United States Patent [19]

[11] Patent Number: **Des. 357,580**

Abrams et al.

[45] Date of Patent: **** Apr. 25, 1995**

[54] **CONTACT LENS PACKAGE**

[76] Inventors: **Richard W. Abrams**, 3889 Habersham Forest Dr., Jacksonville, Fla. 32223; **Russell J. Crossman**, 4496 Charter Point Blvd., Jacksonville, Fla. 32211; **John E. Studer**, 106 Burnham Rd., Morris Plains, N.J. 07950; **Charles R. Ashley**, P.O. Box 5325, Clinton, N.J. 08809

D. 283,488	4/1986	Stevens	D9/415
D. 283,489	4/1986	Stevens	D9/415
D. 287,105	12/1986	Osterhout	D9/415
D. 304,629	11/1989	Alvarado	D9/341
D. 311,331	10/1990	Diba et al.	D9/415
D. 329,600	9/1992	LaJoie	D9/341
D. 330,855	11/1992	Demopoulos et al.	D9/415
D. 337,268	7/1993	Detert	D9/341
3,037,606	6/1962	Phipps, III	206/5.1
4,691,820	9/1987	Martinez	206/205

[**] Term: **14 Years**

Primary Examiner—C. A. Murphy

[21] Appl. No.: **21,701**

[57] **CLAIM**

[22] Filed: **Apr. 21, 1994**

The ornamental design for a contact lens package, as shown and described.

[52] U.S. Cl. **D3/264**

[58] Field of Search **D3/201-263,**
D3/264; D9/341, 415; D16/134, 136; 206/5.1,
205, 316.1, 822

DESCRIPTION

[56] **References Cited**

U.S. PATENT DOCUMENTS

D. 256,727	9/1980	Borg et al.	D9/415
D. 273,864	12/1975	Meierhoefer	D9/415
D. 279,865	7/1985	McKee	D9/415

FIG. 1 is a perspective view of a contact lens package showing our new design;
FIG. 2 is a left side elevation view thereof; the right side elevational view being a mirror image thereof;
FIG. 3 is a top plan view thereof;
FIG. 4 is a bottom plan view thereof;
FIG. 5 is a front elevational view thereof; and,
FIG. 6 is a rear elevational view thereof.

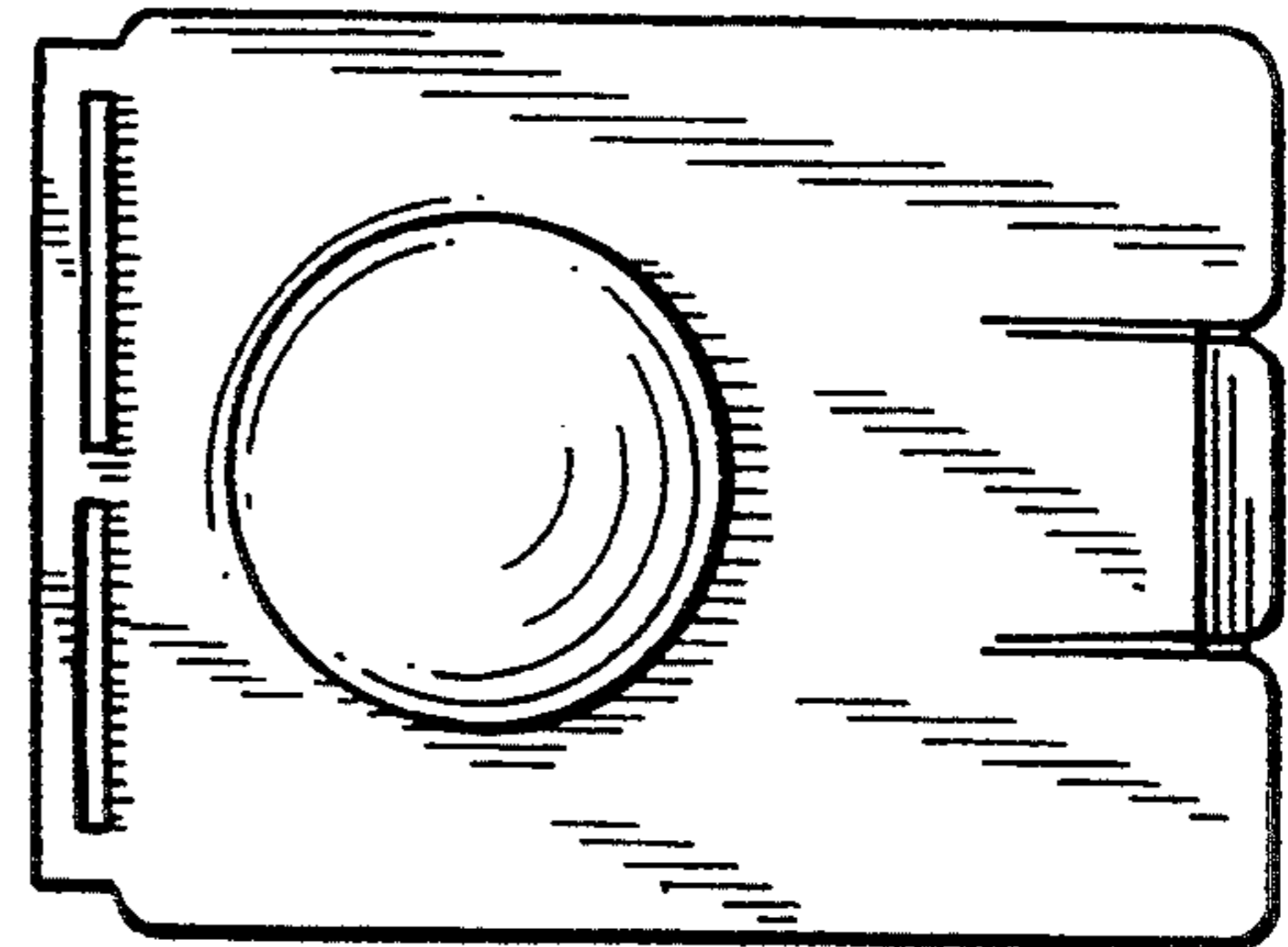
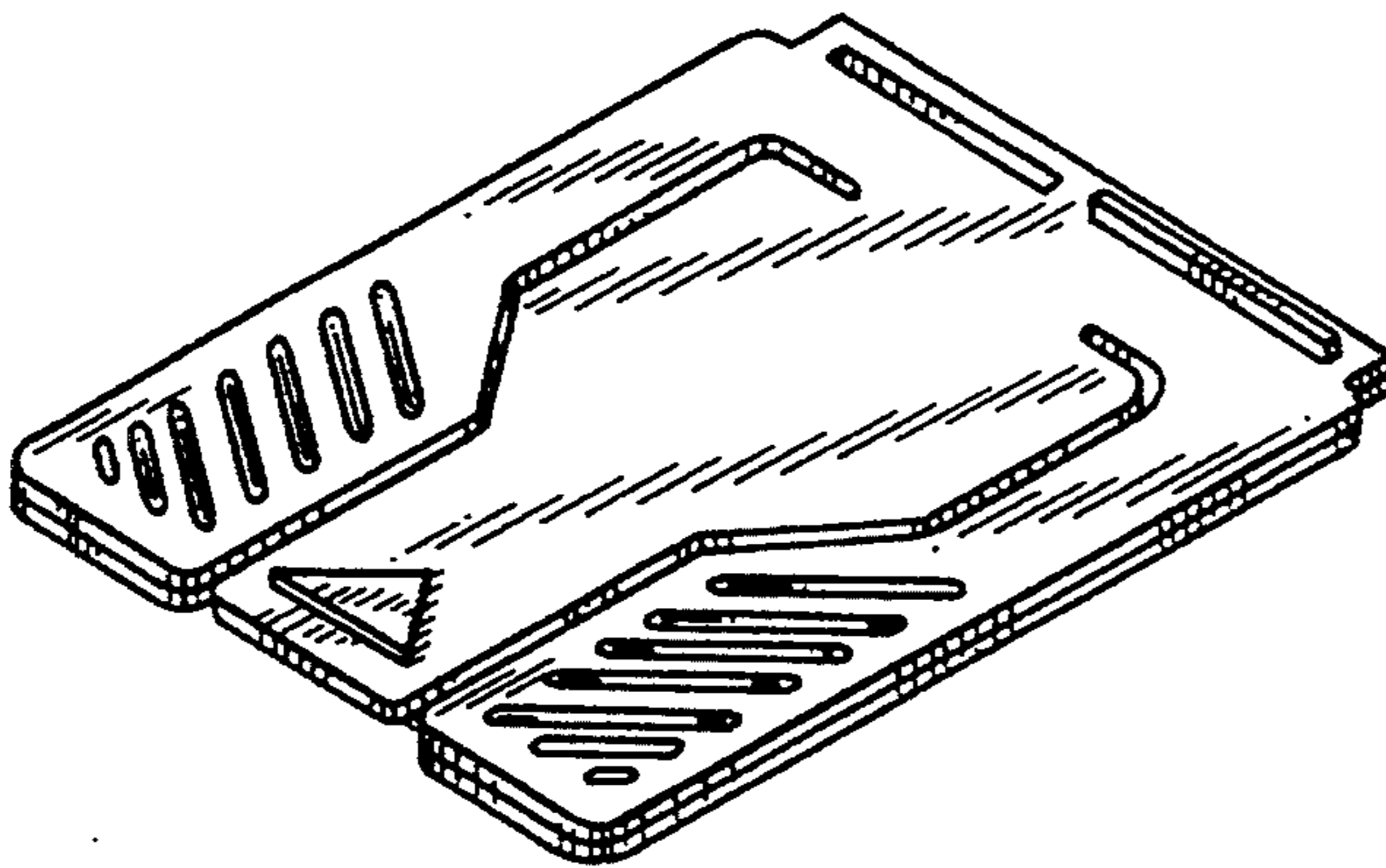


FIG-1

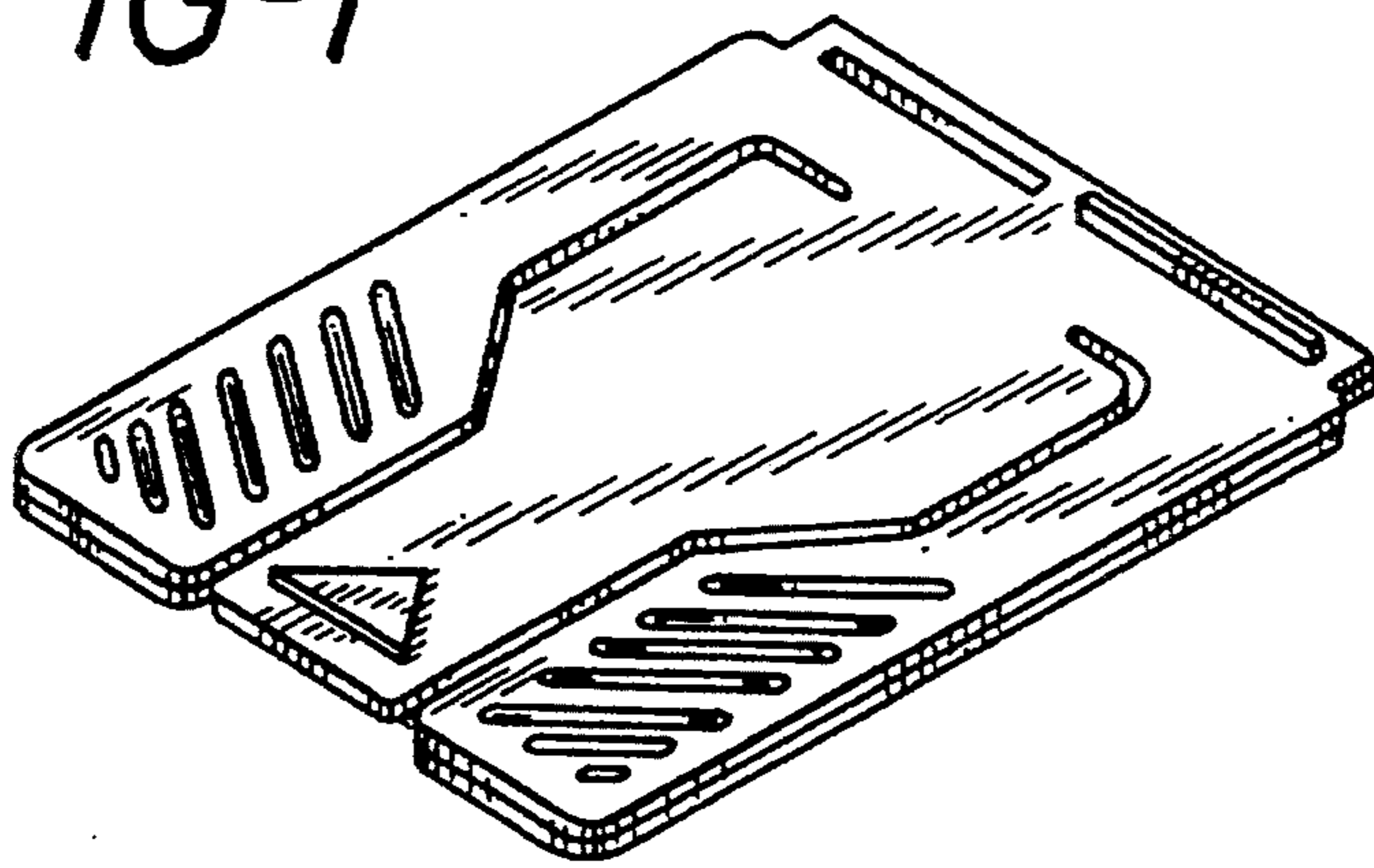


FIG-2



FIG-3

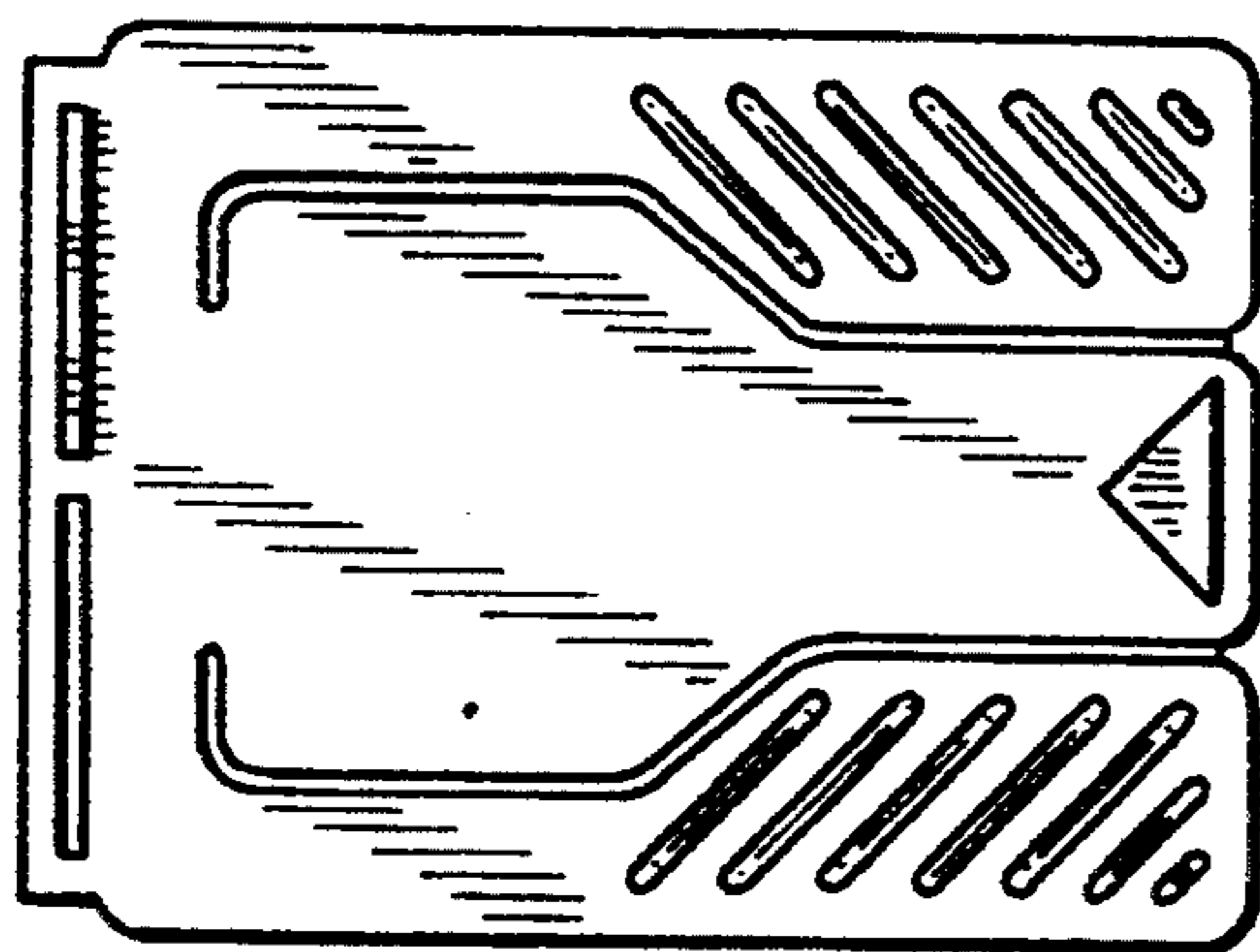


FIG-4

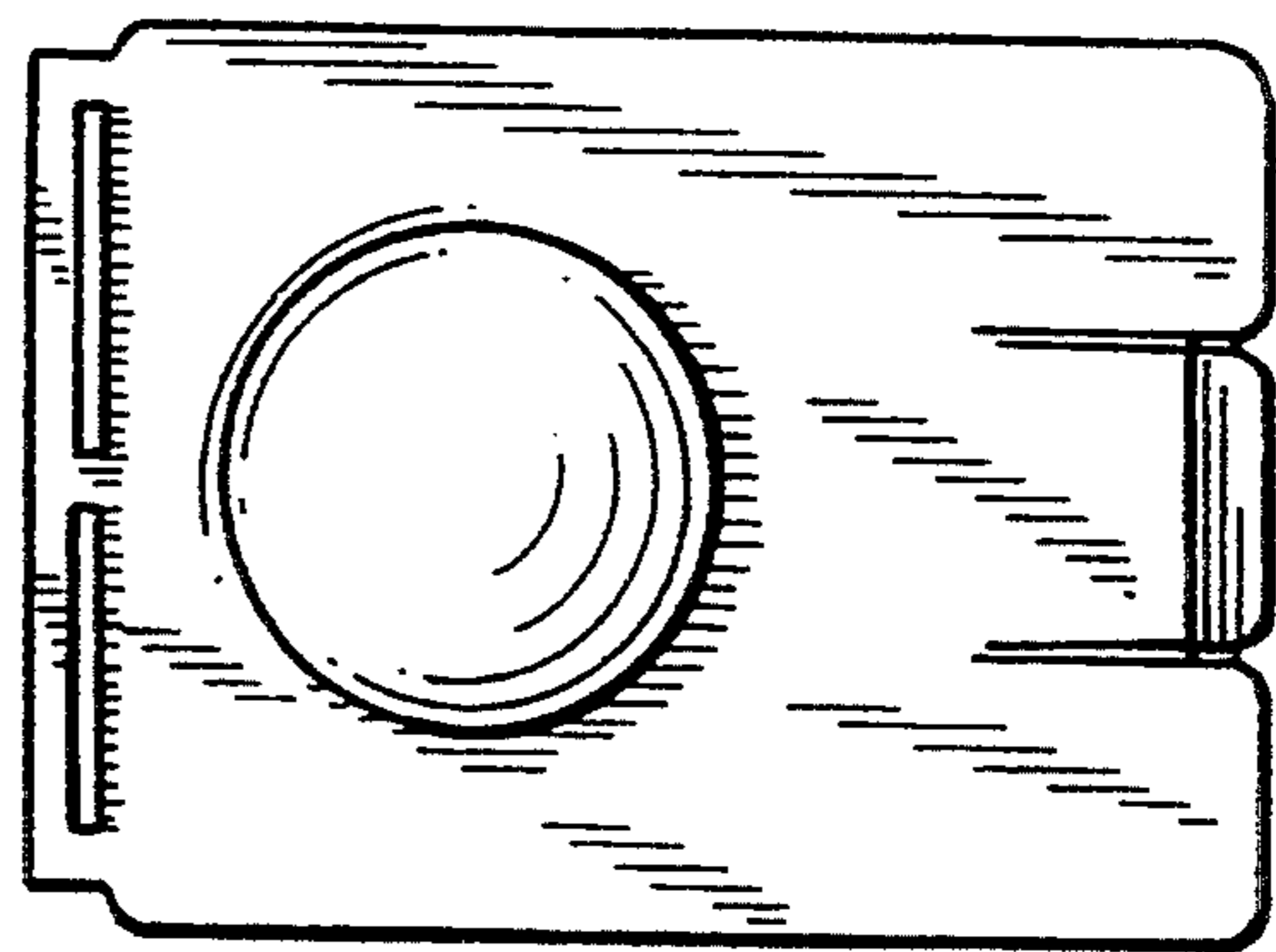


FIG-5



FIG-6

