



US00D357579S

# United States Patent [19]

[11] Patent Number: **Des. 357,579**

Abrams et al.

[45] Date of Patent: **\*\* Apr. 25, 1995**

[54] **CONTACT LENS PACKAGE**

[76] Inventors: **Richard W. Abrams**, 3889 Habersham Forest Dr., Jacksonville, Fla. 32223; **Russell J. Crossman**, 4496 Charter Point Blvd., Jacksonville, Fla. 32211; **John E. Studer**, 106 Burnham Rd., Morris Plains, N.J. 07950; **Charles R. Ashley**, P.O. Box 5325, Clinton, N.J. 08809

D. 286,111	10/1986	Perchak .....	D9/341
D. 299,085	12/1988	Martinez .....	D3/264
D. 306,561	3/1990	Lee .....	D9/415
D. 329,600	9/1992	LaJoie .....	D9/341
D. 333,093	2/1993	Rehrig et al. ....	D9/341
D. 338,619	8/1993	Mylander et al. ....	D9/415
D. 342,025	12/1993	Abraben et al. ....	D9/415
3,414,117	12/1968	Leeds .....	206/5.1
4,691,820	9/1987	Martinez .....	206/205
5,042,655	8/1991	Beldyk et al. ....	206/316.1
5,168,933	12/1992	Yen .....	206/316.1

[\*\*] Term: **14 Years**

*Primary Examiner*—C. A. Murphy

[21] Appl. No.: **21,679**

[57] **CLAIM**

[22] Filed: **Apr. 21, 1994**

The ornamental design for a contact lens package, as shown and described.

[52] U.S. Cl. .... **D3/264**

[58] Field of Search ..... D3/201, 263, 264; D9/341, 415; D16/134, 136; 206/5.1, 205, 316.1, 822; 134/143, 756, 901

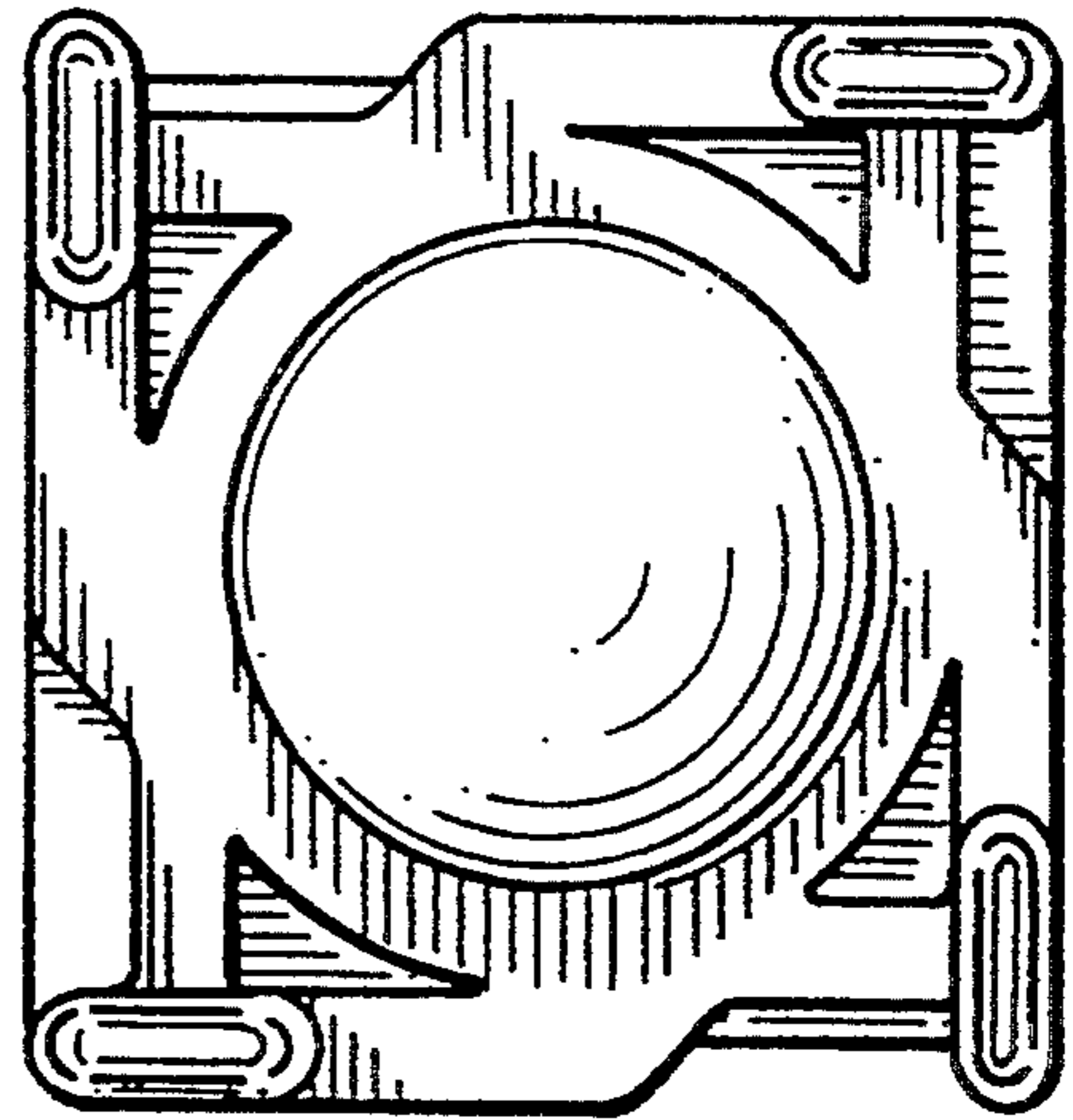
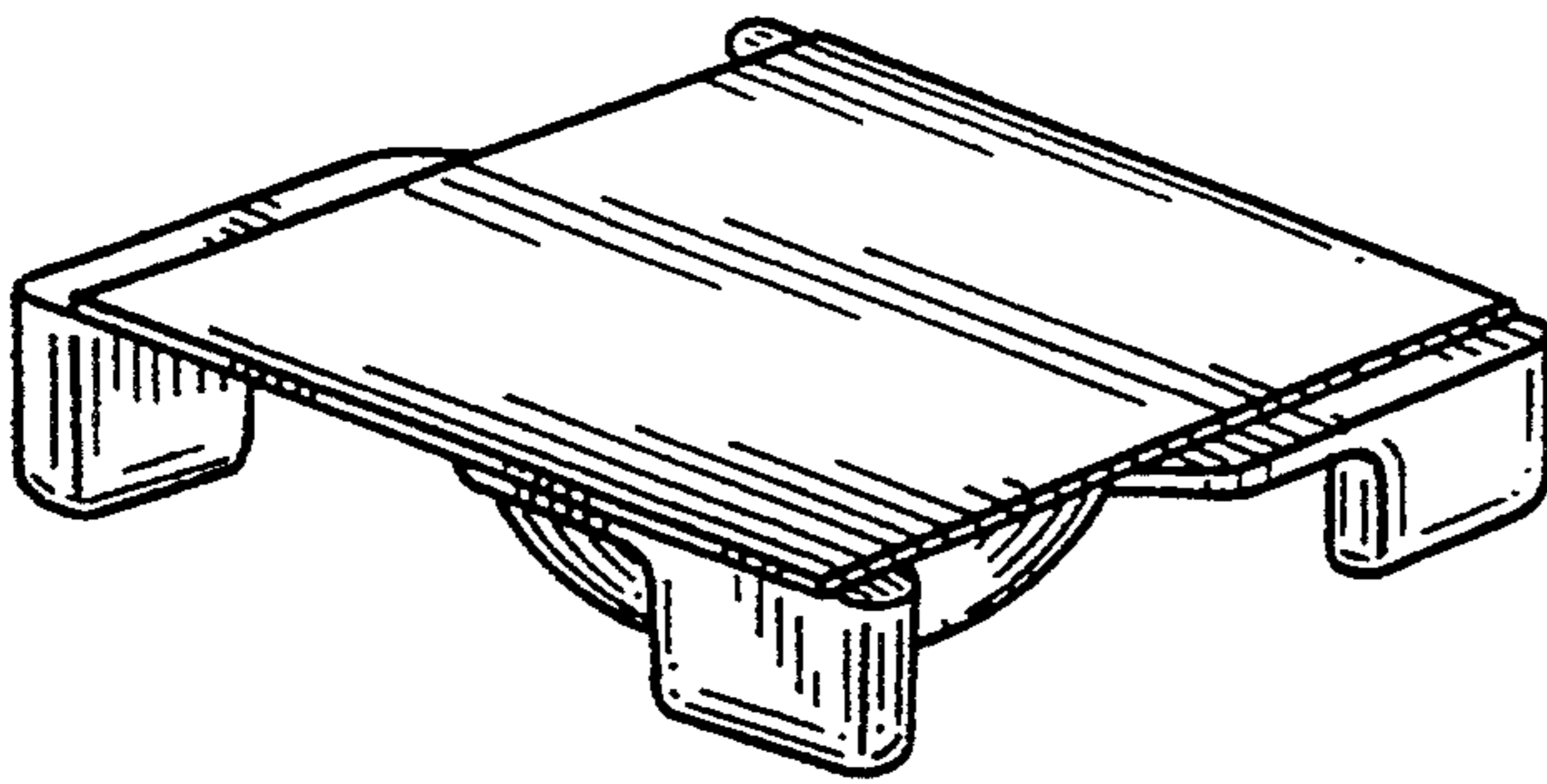
**DESCRIPTION**

[56] **References Cited**

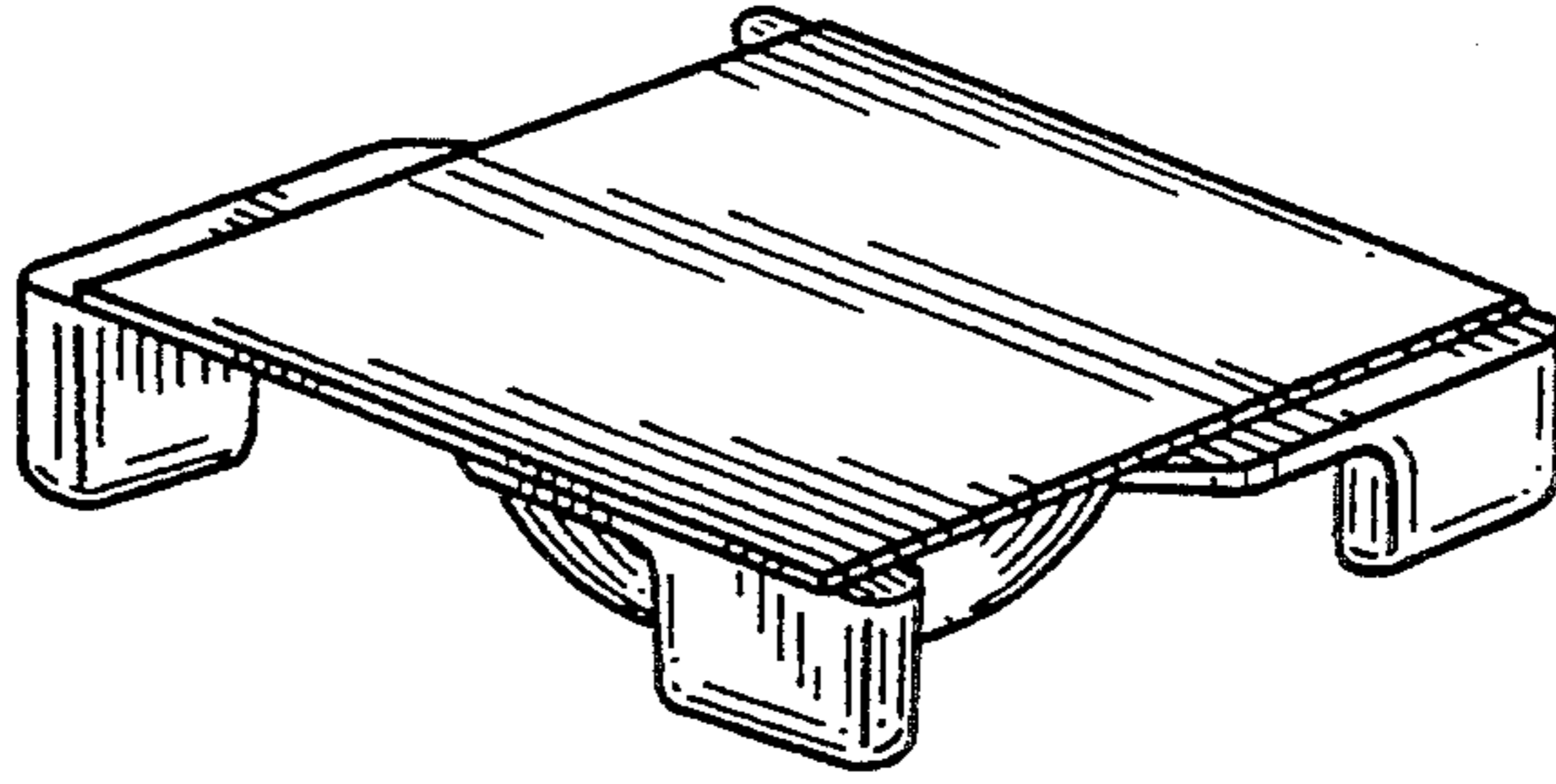
FIG. 1 is a perspective view of a contact lens package showing our new design;  
FIG. 2 is a right side elevational view thereof; the left side being a mirror image;  
FIG. 3 is a top plan view thereof; and,  
FIG. 4 is a bottom plan view thereof.

**U.S. PATENT DOCUMENTS**

D. 212,480 10/1968 Mead ..... D9/341



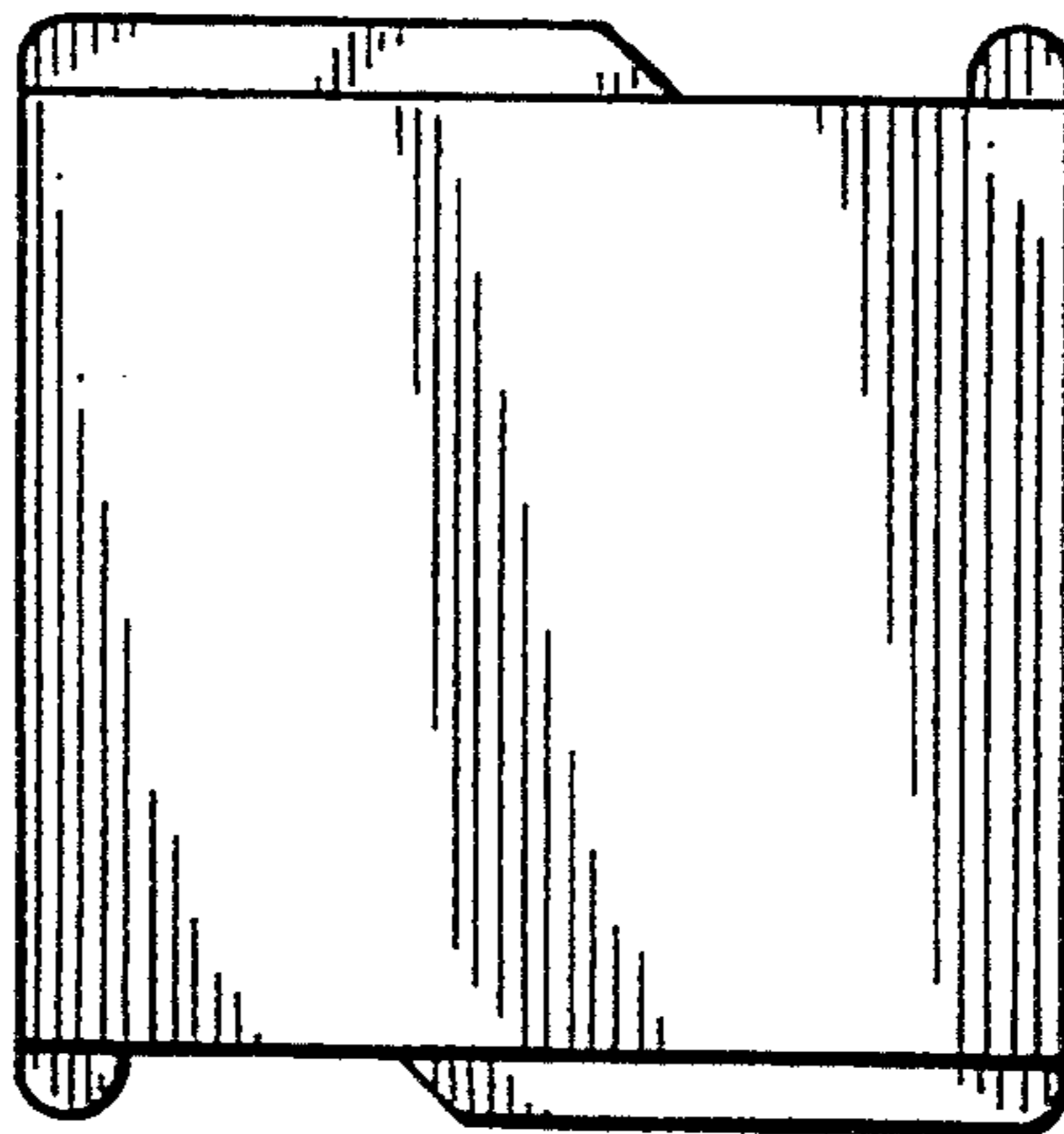
*FIG-1*



*FIG-2*



*FIG-3*



*FIG-4*

