



US00D357578S

United States Patent [19]

[11] Patent Number: **Des. 357,578**

Brondum et al.

[45] Date of Patent: **** Apr. 25, 1995**

[54] **COMBINED HOLDER AND TRANSPORT FOR GOLF CLUBS AND GOLF BALLS**

[56] **References Cited**

[76] Inventors: **Hanne Brondum, Knud Rasmussens Vej 3; Joan Petersen, Bogfinkevej 7,** both of Vejle, Denmark, 7100

U.S. PATENT DOCUMENTS

D. 185,807	8/1959	Antle	D21/223 X
D. 225,984	1/1973	Murray et al.	D34/15
1,563,816	12/1925	Worthington	206/315.1
3,164,393	1/1965	Upham, II	D21/223 X
3,165,330	1/1965	Cotton	D34/15 X
4,154,274	5/1979	Adamson	294/159 X

[**] Term: **14 Years**

Primary Examiner—A. Hugo Word
Assistant Examiner—Doris V. Coles
Attorney, Agent, or Firm—Darby & Darby

[21] Appl. No.: **3,424**

[57] CLAIM

[22] Filed: **Jan. 7, 1993**

The ornamental design of a combined holder and transport for golf clubs and golf balls, as shown.

[30] Foreign Application Priority Data

Jul. 8, 1992 [DK] Denmark UM 00029/92

[52] U.S. Cl. **D3/259; D3/255**

[58] Field of Search D3/36, 37, 38; D21/223; 211/70.2, 60.1; 206/315.2; D34/15; 294/159, 143; D6/552

DESCRIPTION

FIG. 1 is a perspective view of the holder in its folded up position embodying our new design thereof; FIG. 2 is an opposite side perspective view of the holder in its raised thereof; and, FIG. 3 is an end view.

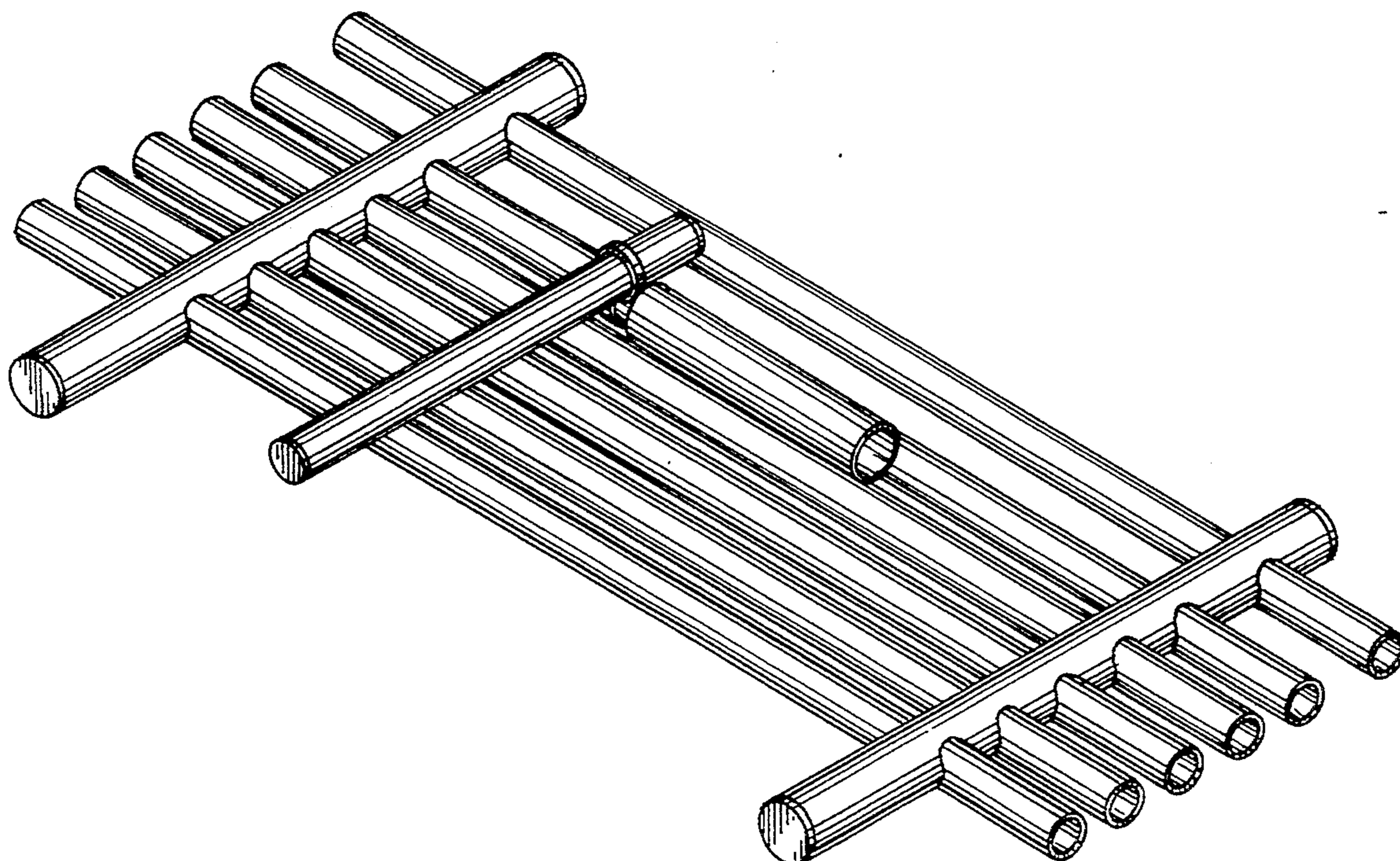


FIG. 1

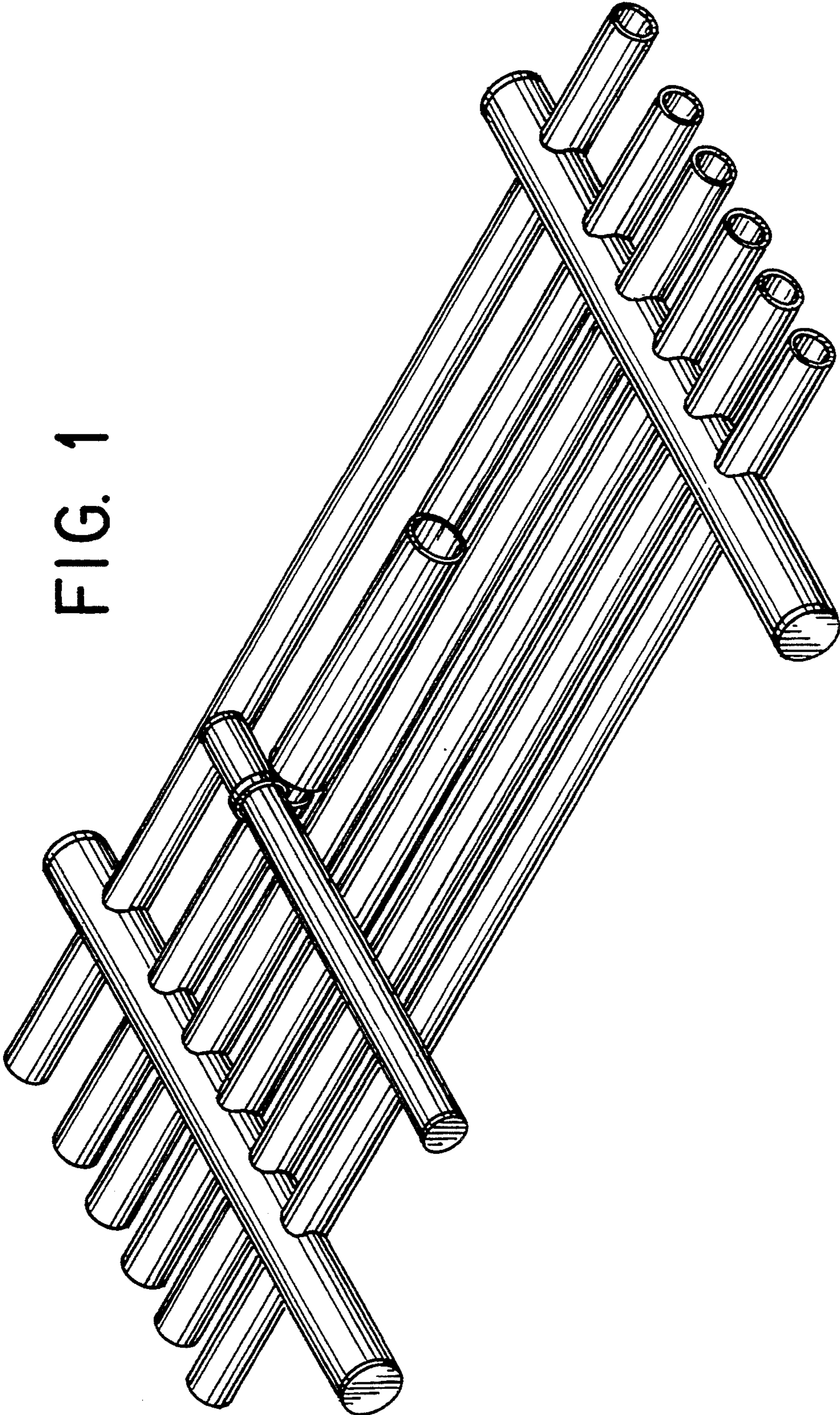


FIG. 2

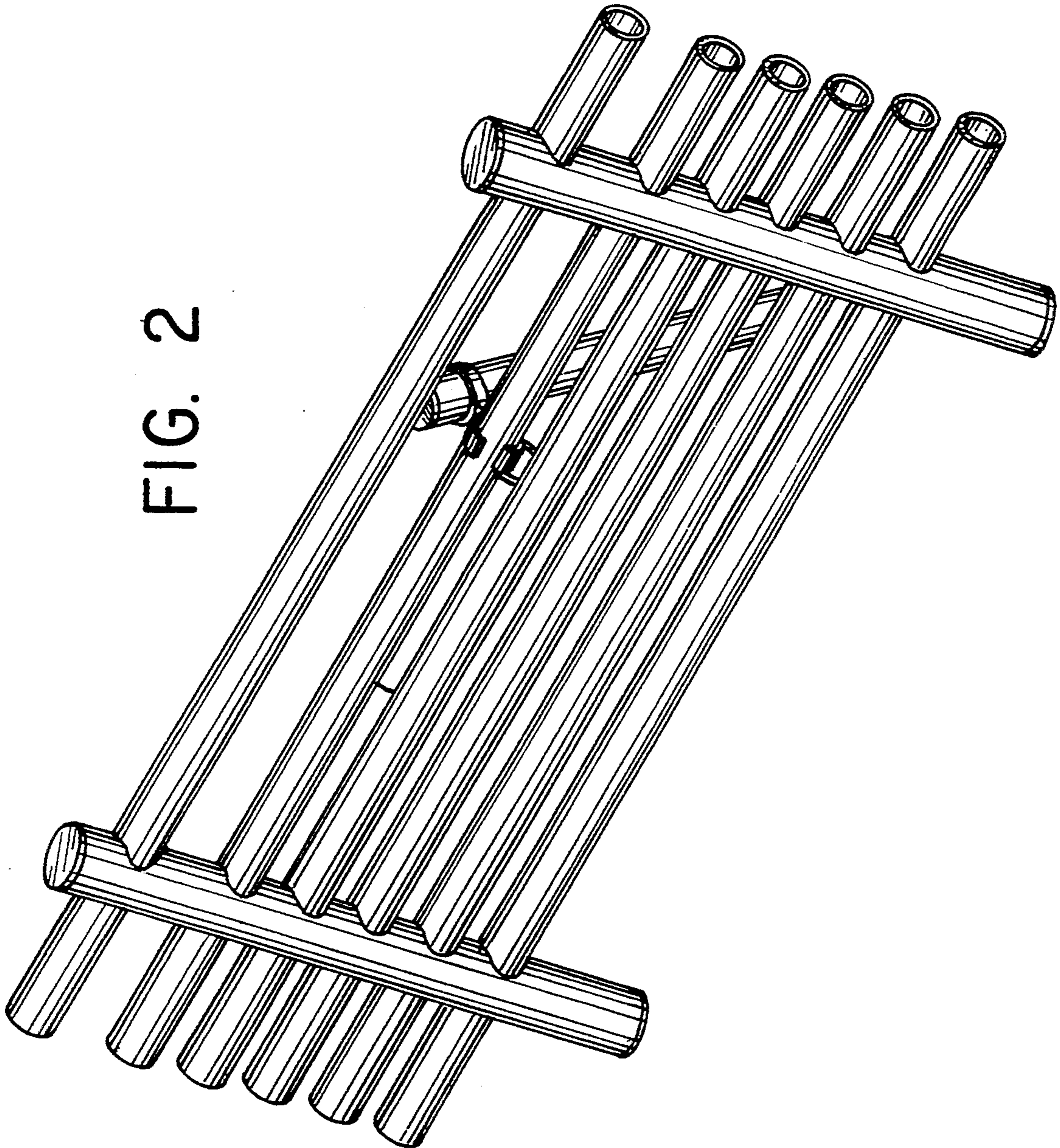


FIG. 3

