



US00D357576S

United States Patent [19]
Steinweis

[11] **Patent Number: Des. 357,576**
[45] **Date of Patent: ** Apr. 25, 1995**

[54] **SPEED LACE**

[56] **References Cited**

U.S. PATENT DOCUMENTS

[75] **Inventor: Jack Steinweis, East Brunswick, N.J.**

D. 84,311 6/1931 Whitehouse D2/976 X
3,193,950 7/1965 Liou D2/978 X
5,295,315 3/1994 Osawa 36/50.1

[73] **Assignee: Fila U.S.A., Inc., Hunt Valley, Md.**

Primary Examiner—Louis S. Zarfes
Attorney, Agent, or Firm—Davis Hoxie Faithfull & Hapgood

[**] **Term: 14 Years**

[57] **CLAIM**

[21] **Appl. No.: 10,658**

The ornamental design for a speed lace, as shown and described.

[22] **Filed: Jul. 14, 1993**

DESCRIPTION

[52] **U.S. Cl. D2/978; D8/367; D11/227**

FIG. 1 is a front and top elevational view of a speed lace showing my new design;
FIG. 2 is a top plan view thereof;
FIG. 3 is a side view thereof; and,
FIG. 4 is a bottom view thereof.

[58] **Field of Search D2/896, 946, 976, 978; D8/367; D11/222, 227, 228; 36/50.1, 132, 136**

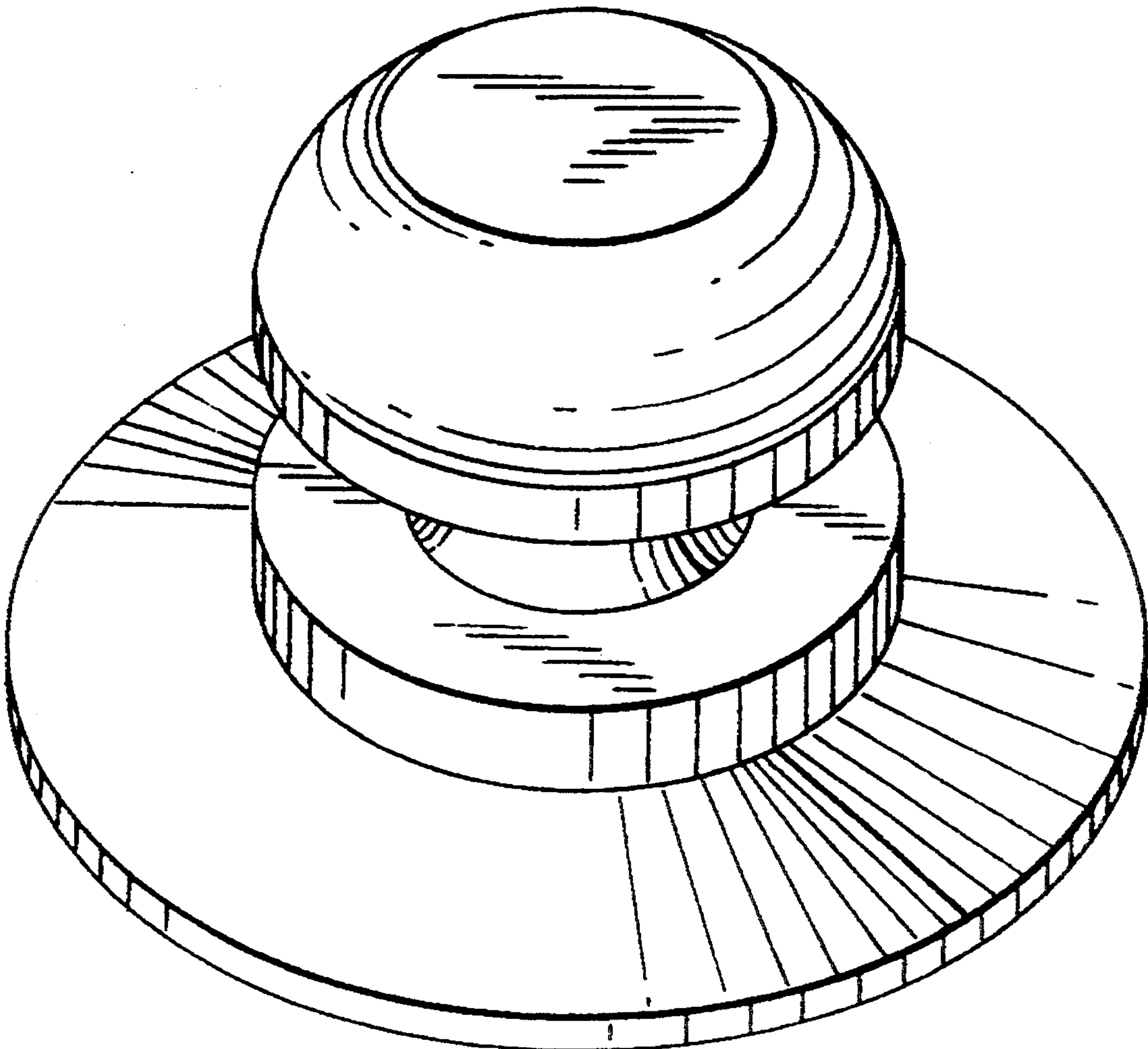


FIG. 1

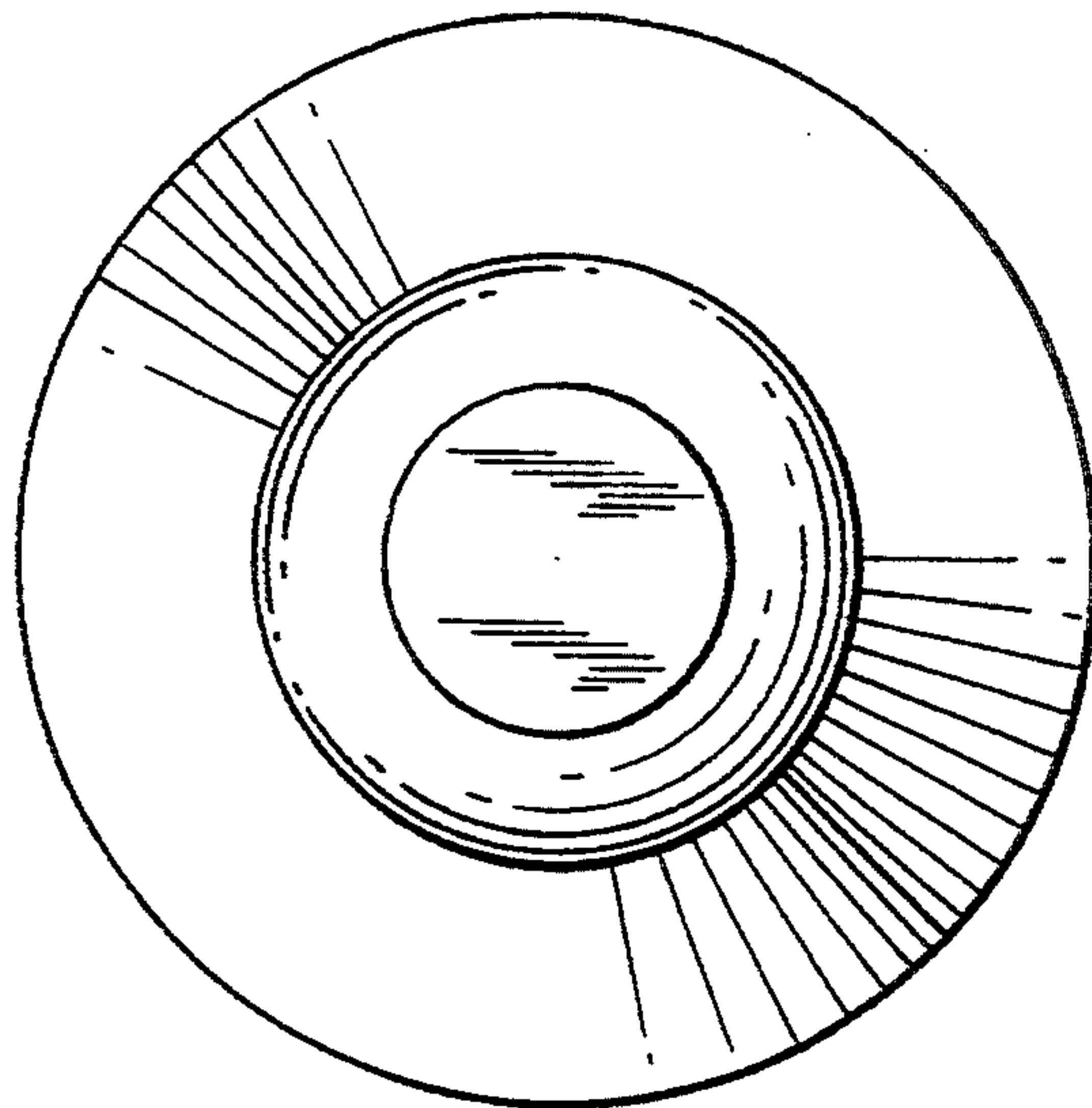
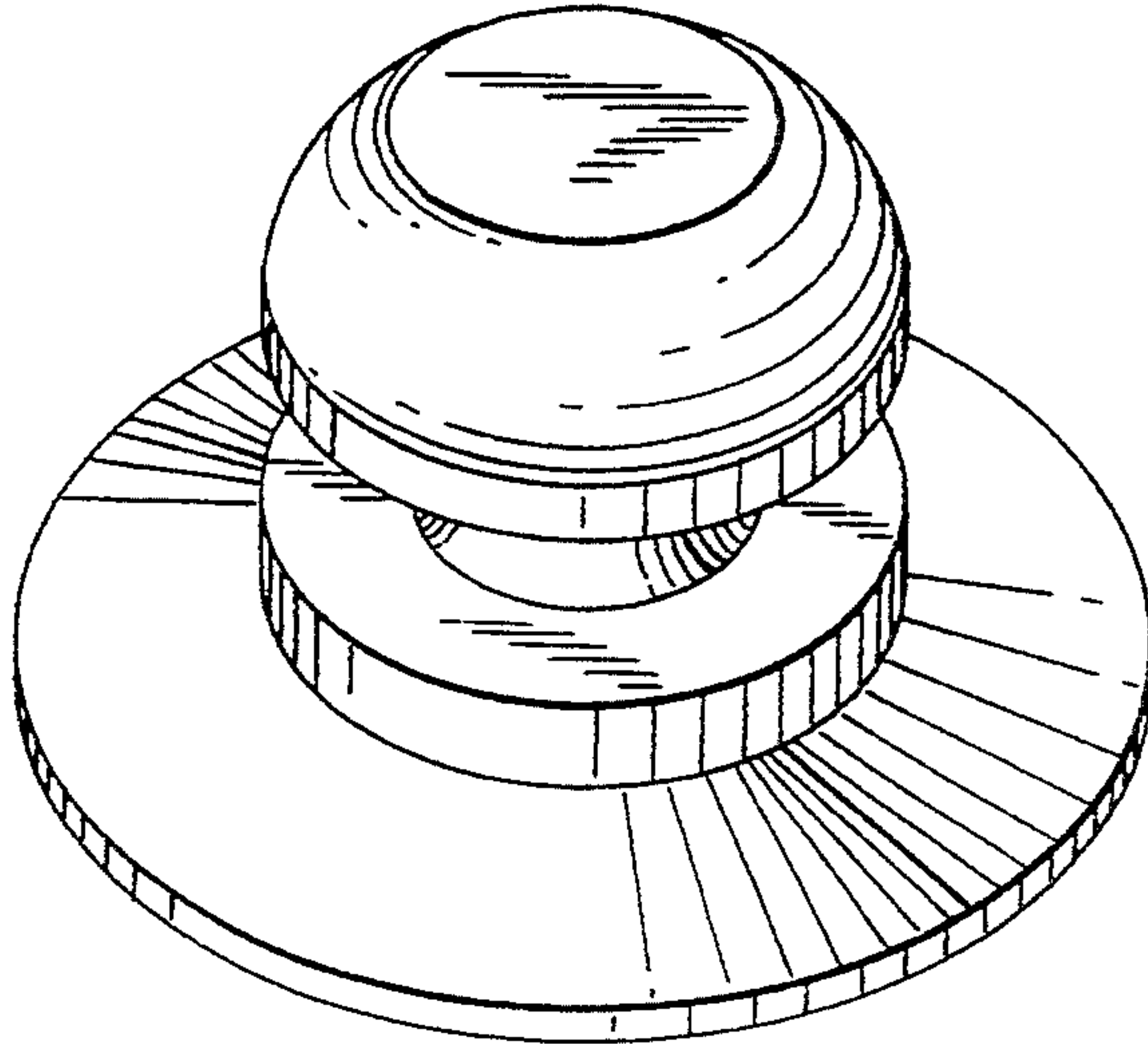


FIG. 2

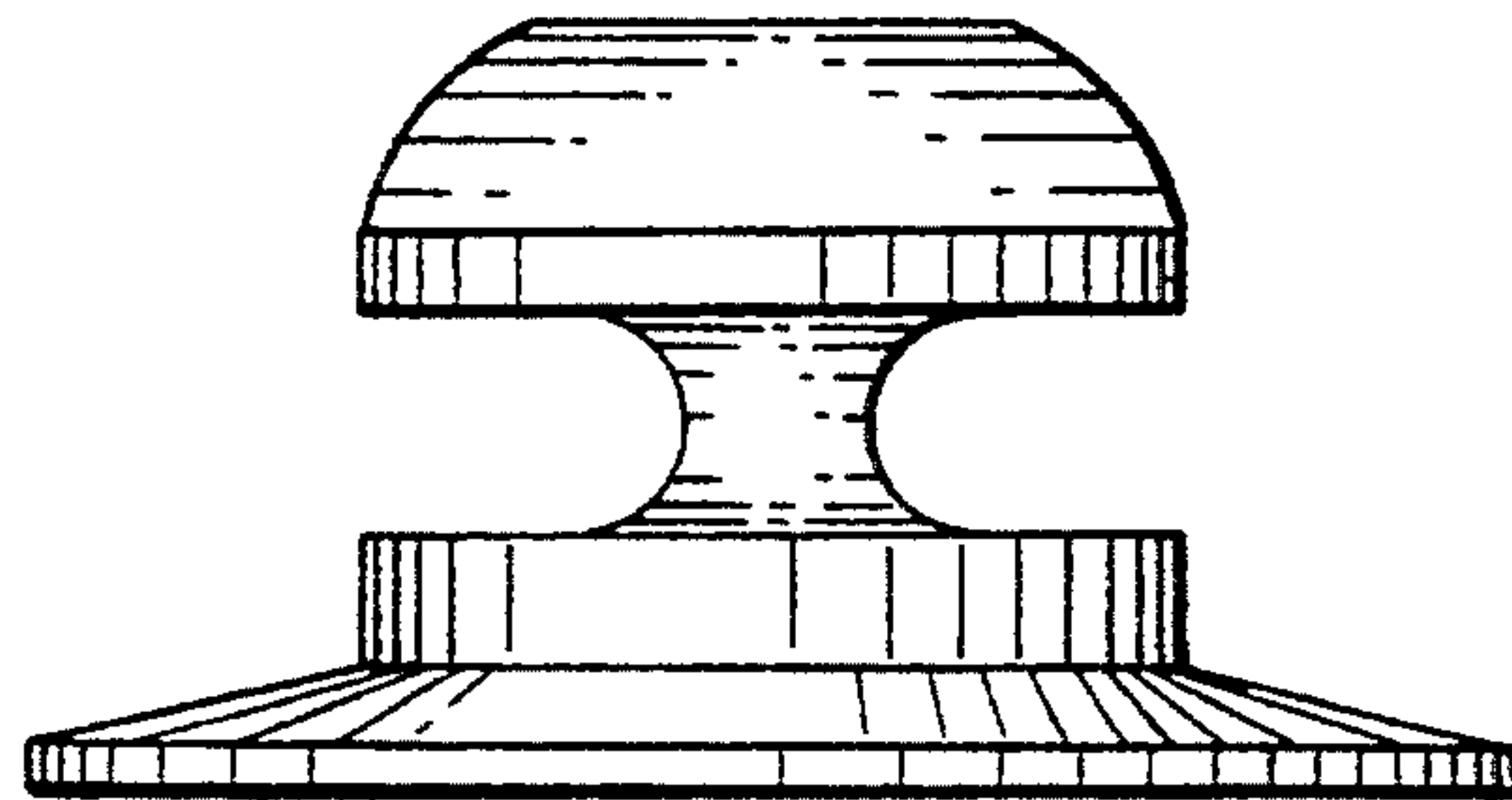


FIG. 3

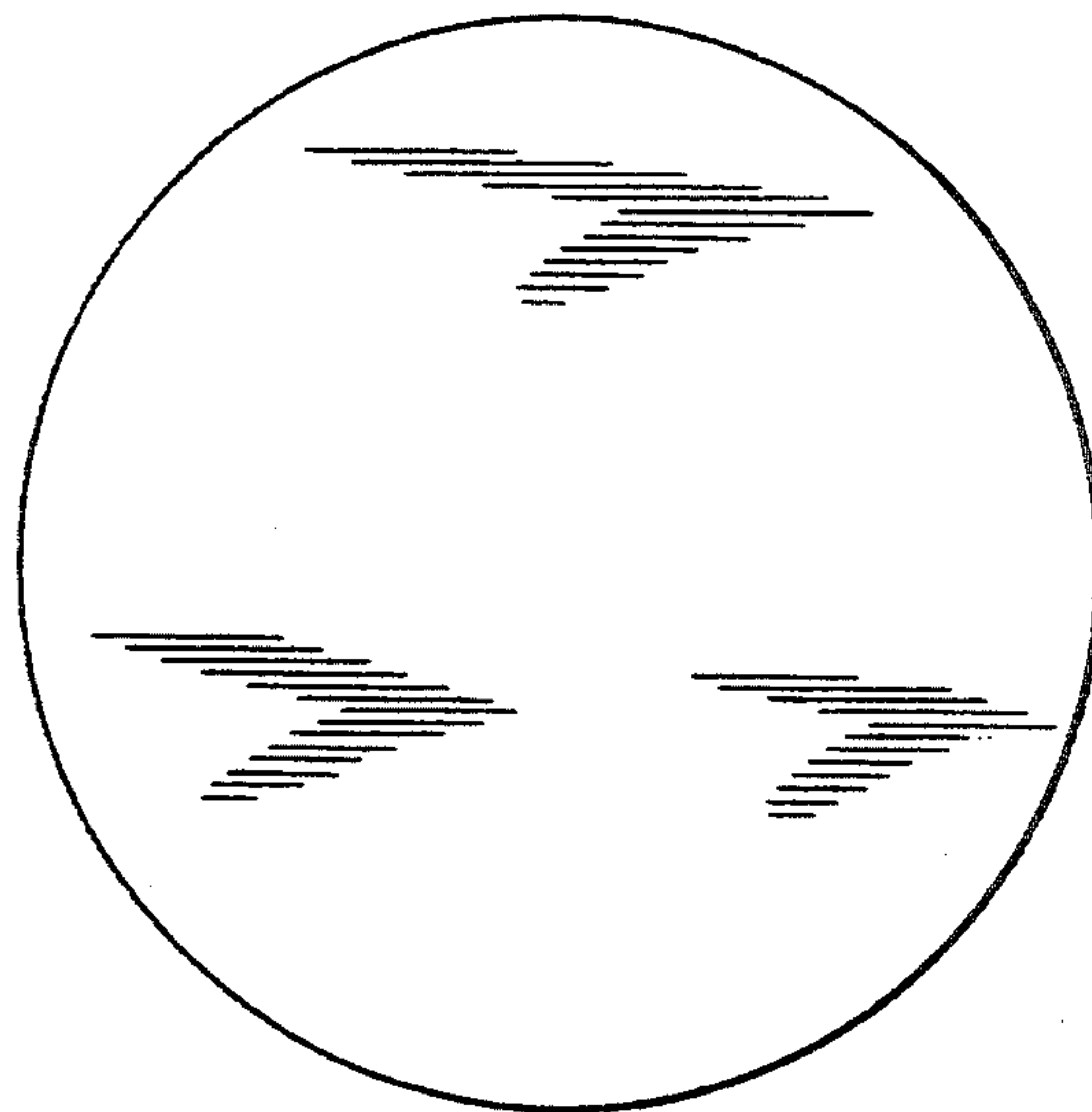


FIG. 4