



US00D357561S

# United States Patent [19]

[11] Patent Number: **Des. 357,561**

**Kropf et al.**

[45] Date of Patent: **\*\* Apr. 18, 1995**

## [54] WASHING MACHINE AGITATOR

[75] Inventors: **Keith E. Kropf; Richard P. Bergeson,**  
both of Newton; **Luann E. Fitzpatrick,** Des Moines, all of Iowa

[73] Assignee: **Maytag Corporation,** Newton, Iowa

[\*\*] Term: **14 Years**

[21] Appl. No.: **15,444**

[22] Filed: **Nov. 17, 1993**

[52] U.S. Cl. .... **D32/26**

[58] Field of Search ..... **D32/26; 68/134**

### [56] References Cited

#### U.S. PATENT DOCUMENTS

D. 209,006	10/1967	Smith	.....	D32/26
D. 209,007	10/1967	Smith	.....	D32/26
D. 217,388	4/1970	Goodman	.....	D32/26
D. 267,672	1/1983	Ohmann et al.	.....	D32/26
D. 300,969	5/1989	Bergeson	.....	D32/26
1,617,030	2/1927	Roche	.....	D32/26
1,937,884	12/1933	Geldkof	.....	D32/26
2,748,045	5/1956	Kelly	.....	D32/26
4,338,802	7/1982	Ohmann et al.	.....	68/134
4,452,054	6/1984	Hafstrom	.....	68/134
5,231,857	8/1993	Rew et al.	.....	68/134

## FOREIGN PATENT DOCUMENTS

0057695 4/1984 Japan ..... 68/134

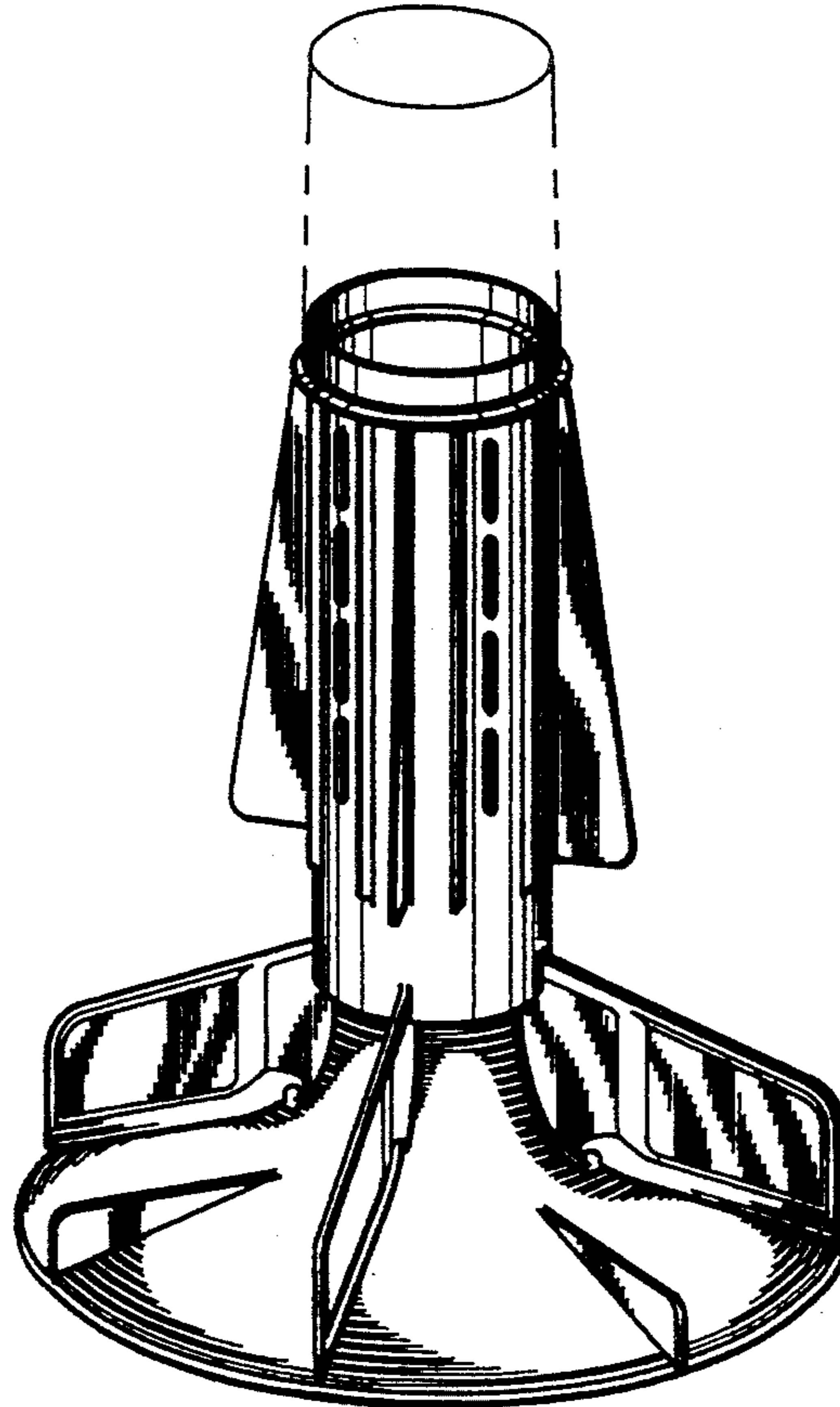
*Primary Examiner*—Cathy Anne MacCormac  
*Attorney, Agent, or Firm*—Zarley, McKee, Thomte,  
Voorhees & Sease

### [57] CLAIM

The ornamental design for a washing machine agitator, as shown and described.

### DESCRIPTION

FIG. 1 is a perspective view of a washing machine agitator showing our new design;  
 FIG. 2 is a top plan view thereof;  
 FIG. 3 is an elevational view taken from the direction shown by line 3—3 of FIG. 2;  
 FIG. 4 is an elevational view taken from the direction shown by line 4—4 of FIG. 2;  
 FIG. 5 is a sectional view taken along line 5—5 of FIG. 3;  
 FIG. 6 is a sectional view taken along line 6—6 of FIG. 3; and,  
 FIG. 7 is a sectional view taken along line 7—7 of FIG. 3.  
 The environmental structure shown in broken lines in FIGS. 1, 3 and 4 is for illustrative purposes only and forms no part of the claimed design.



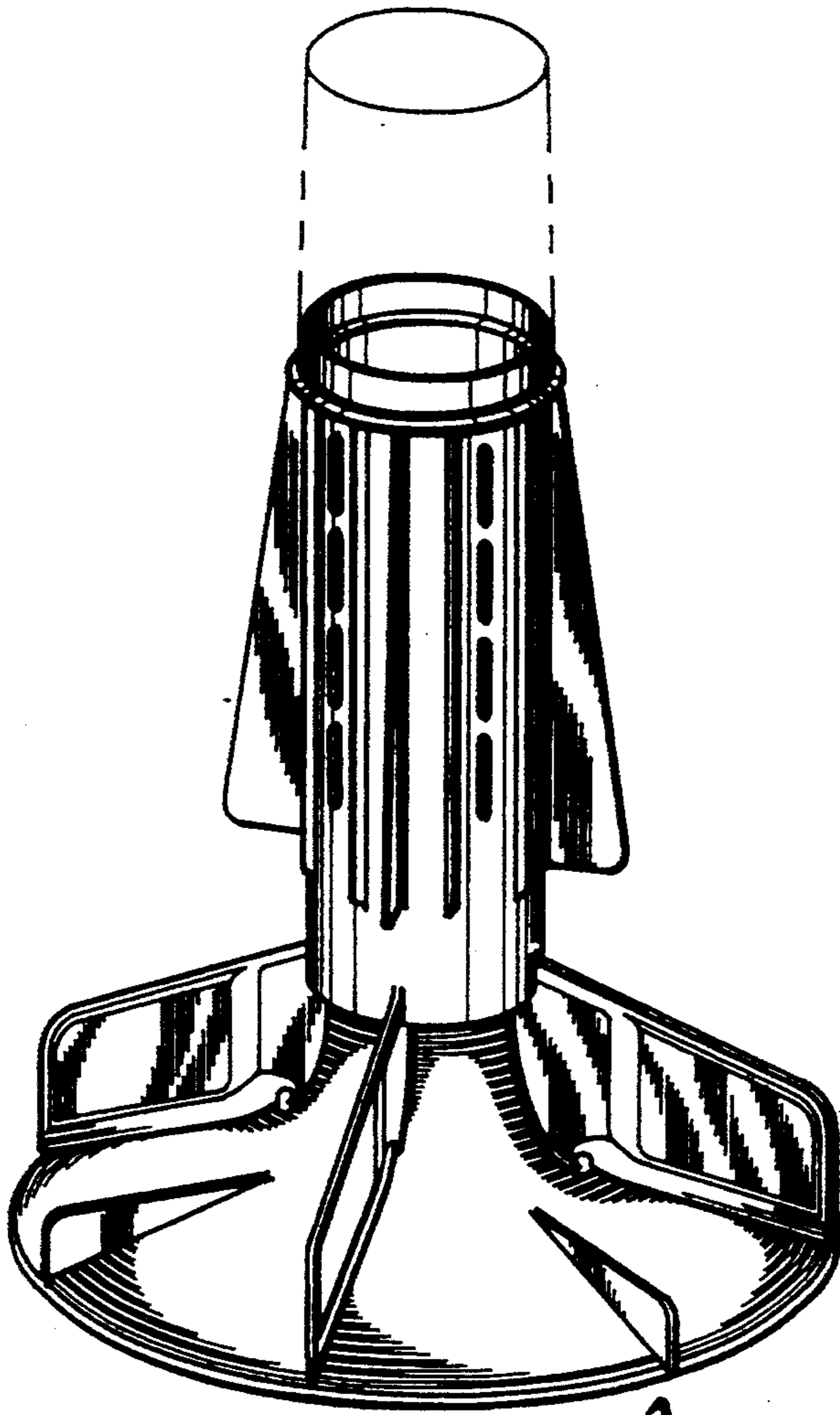


Fig. 1

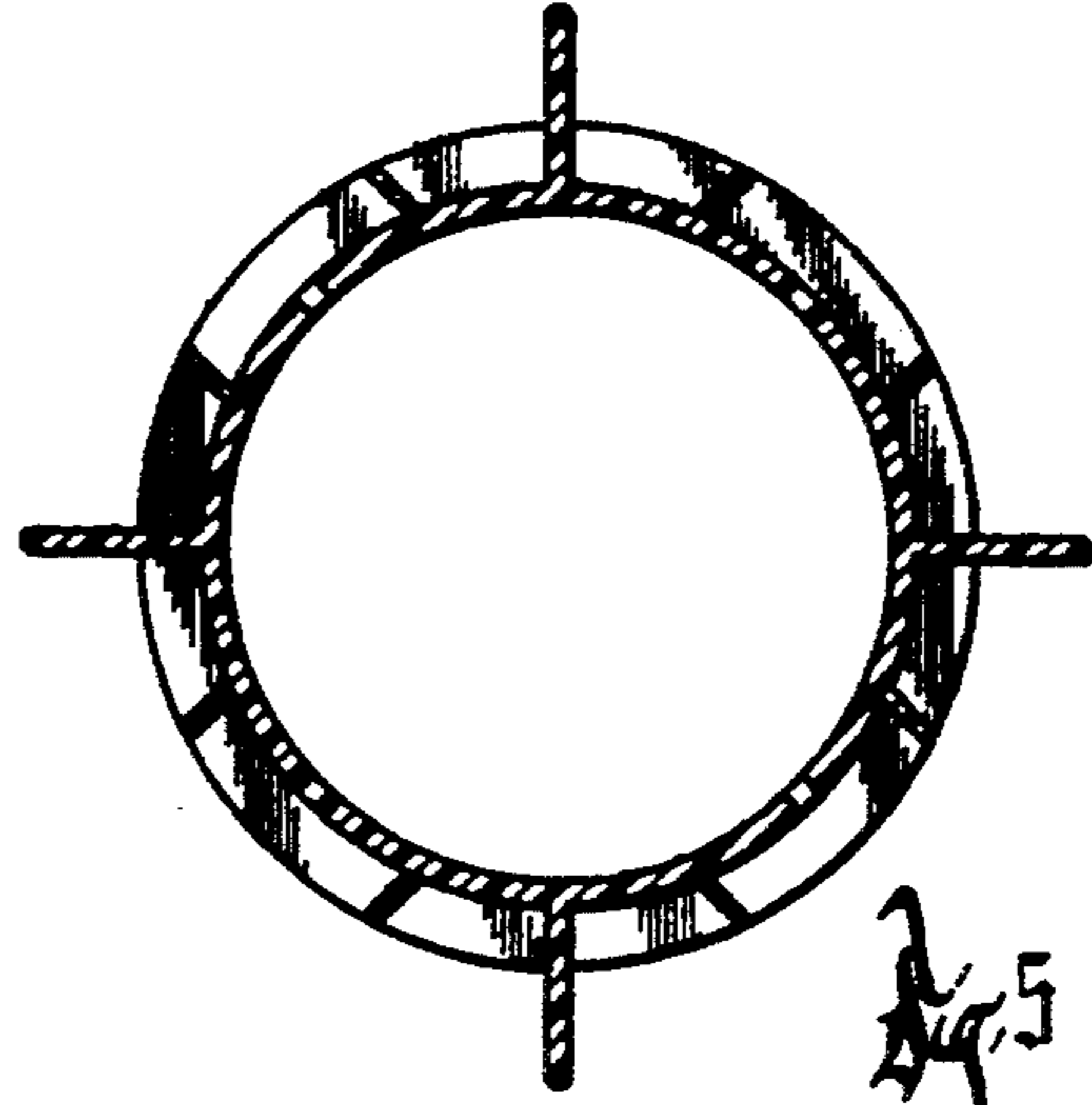


Fig. 5

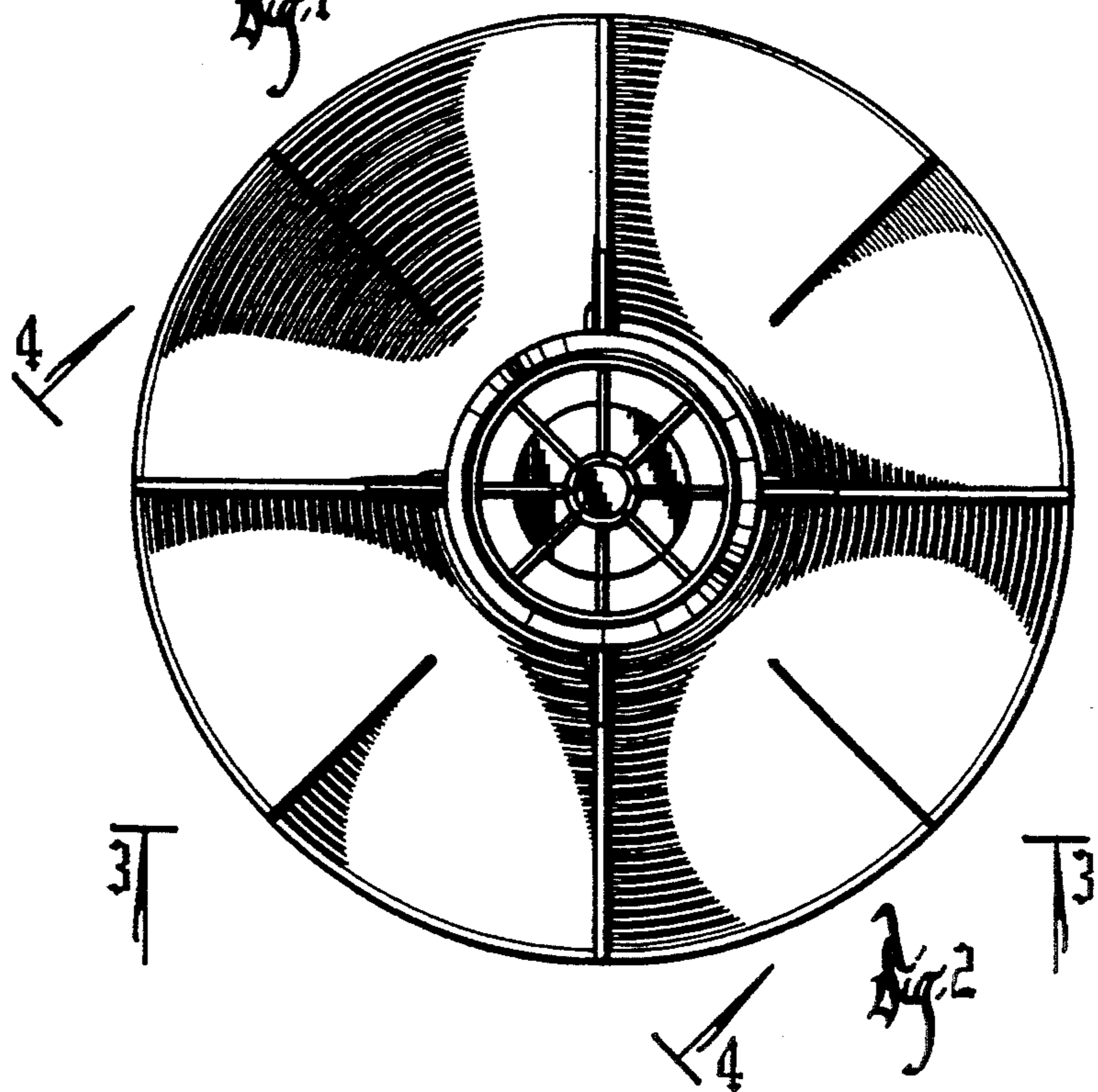


Fig. 2

