



US00D357560S

United States Patent [19]

[11] Patent Number: **Des. 357,560**

Hohulin

[45] Date of Patent: **** Apr. 18, 1995**

[54] **VACUUM CLEANER**

[76] Inventor: **Samuel E. Hohulin**, 16 Peine Dr.,
Timber Ridge, Lexington, Ill. 61753

[**] Term: **14 Years**

[21] Appl. No.: **16,825**

[22] Filed: **Dec. 27, 1993**

[52] U.S. Cl. **D32/21**

[58] Field of Search 15/327.1, 327.2, 327.7,
15/320, 377.6; D32/21, 23-24, 15, 32

[56] **References Cited**

U.S. PATENT DOCUMENTS

D. 182,406	4/1958	Ernest	D32/24
D. 182,406	4/1958	Ernest	D32/24
D. 312,903	12/1990	Essex et al.	D32/24
D. 315,041	2/1991	Bradd	D32/21
D. 318,544	7/1991	Schretler	D32/24
D. 344,373	2/1994	Haverkamp	D32/21
3,731,465	5/1973	Ohira et al.	15/327.6
4,658,465	4/1987	Keane et al.	15/327.7
4,970,753	11/1990	Herron, Jr.	15/327.2
4,996,736	3/1991	Nusser et al.	15/327.1
5,293,664	3/1994	Lim et al.	15/327.7

FOREIGN PATENT DOCUMENTS

0289987	11/1988	European Pat. Off.	15/377.1
3241991	5/1983	Germany	15/327.1
551487	10/1982	Japan	D32/5 21

OTHER PUBLICATIONS

Panasonic Vacuum Cleaner Operating Instructions
Manual (front cover drawing);
MC-9510/9520/9530/9540.

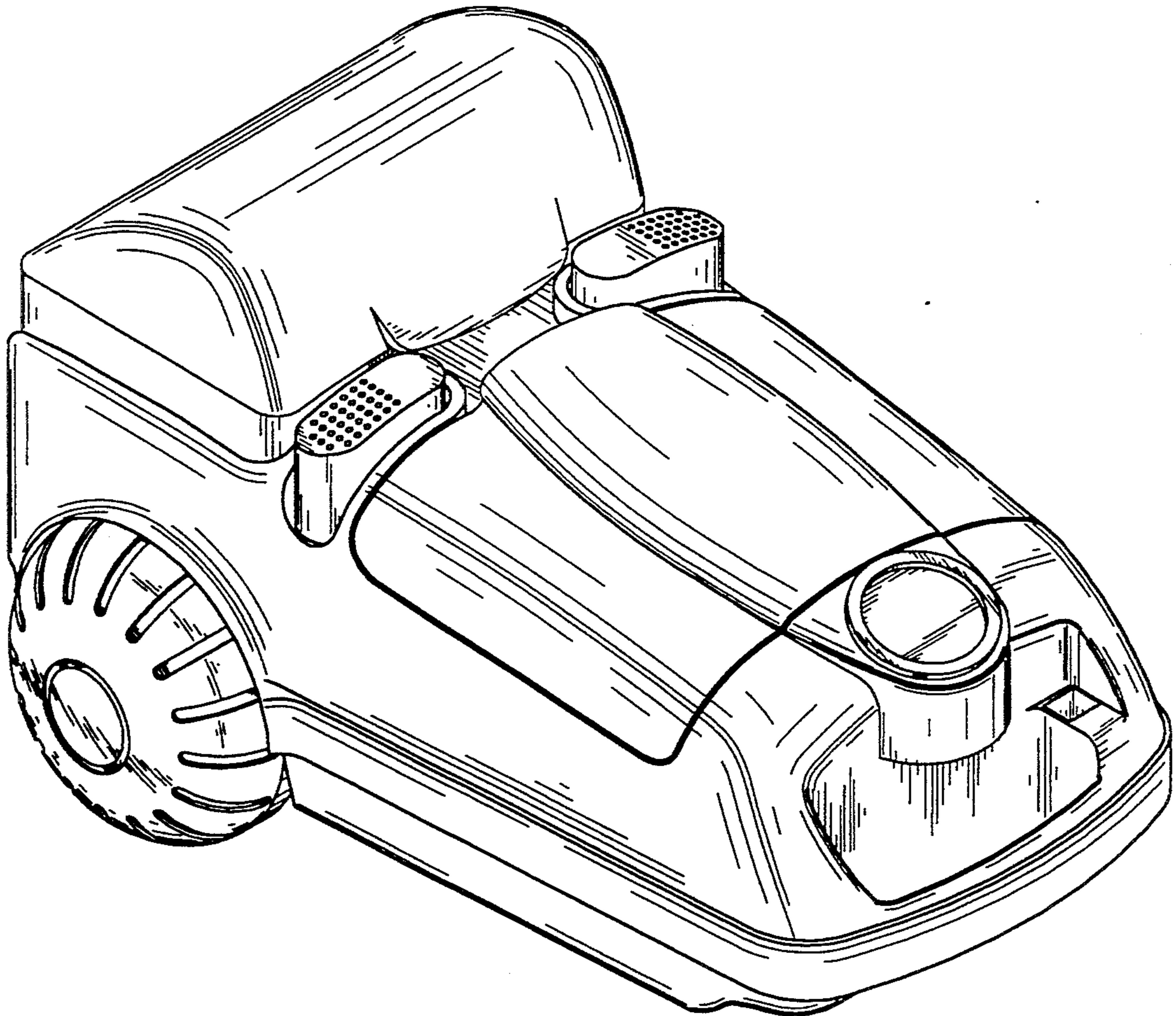
Primary Examiner—Cathy Anne MacCormac

[57] **CLAIM**

The ornamental design for a vacuum cleaner, as shown and described.

DESCRIPTION

FIG. 1 is a perspective view of a vacuum cleaner showing the new design;
FIG. 2 is a right side elevational view thereof;
FIG. 3 is a left side elevational view thereof;
FIG. 4 is a top plan view thereof;
FIG. 5 is a bottom plan view thereof;
FIG. 6 is a front elevational view thereof; and,
FIG. 7 is a rear elevational view thereof.



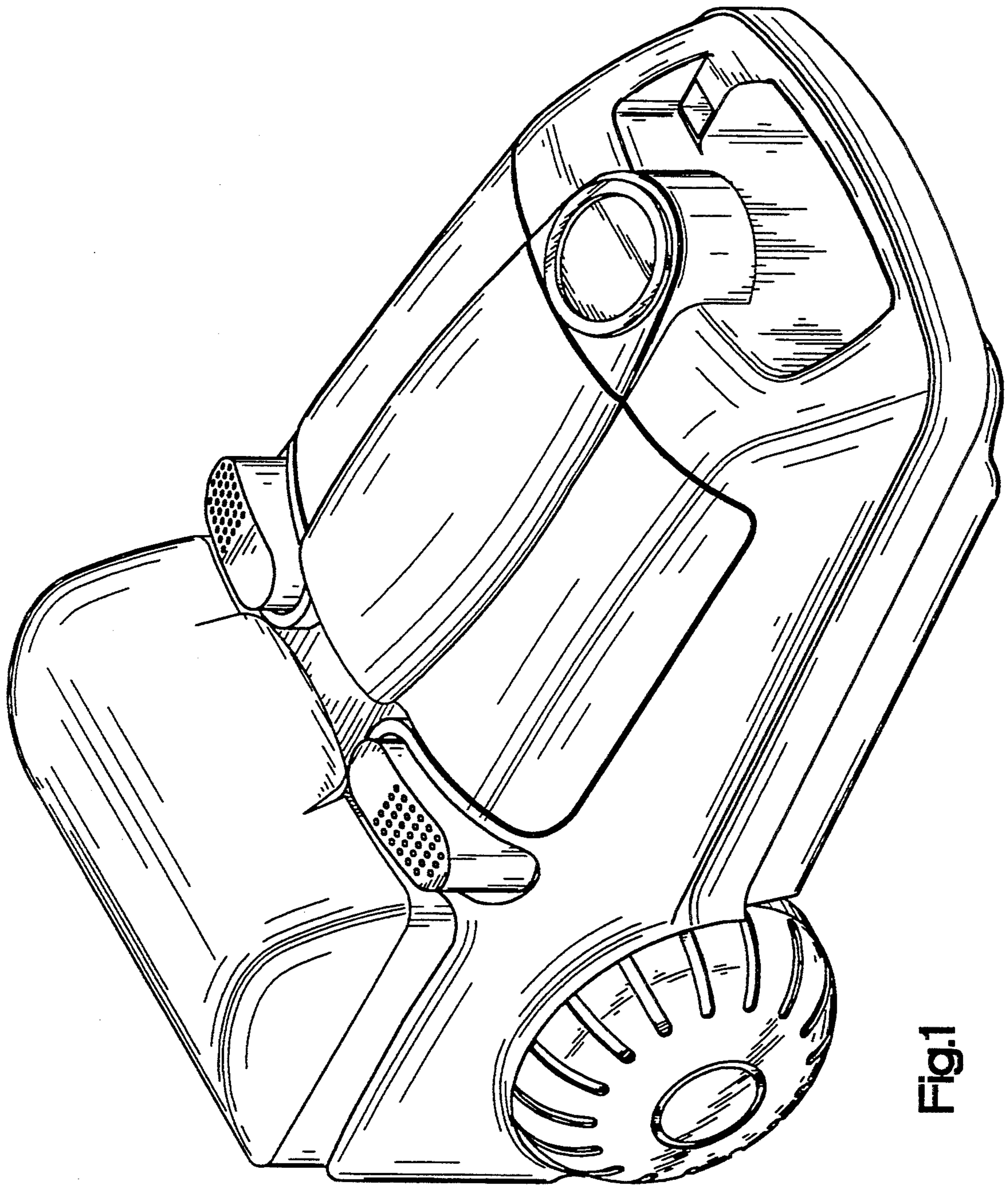


Fig.1

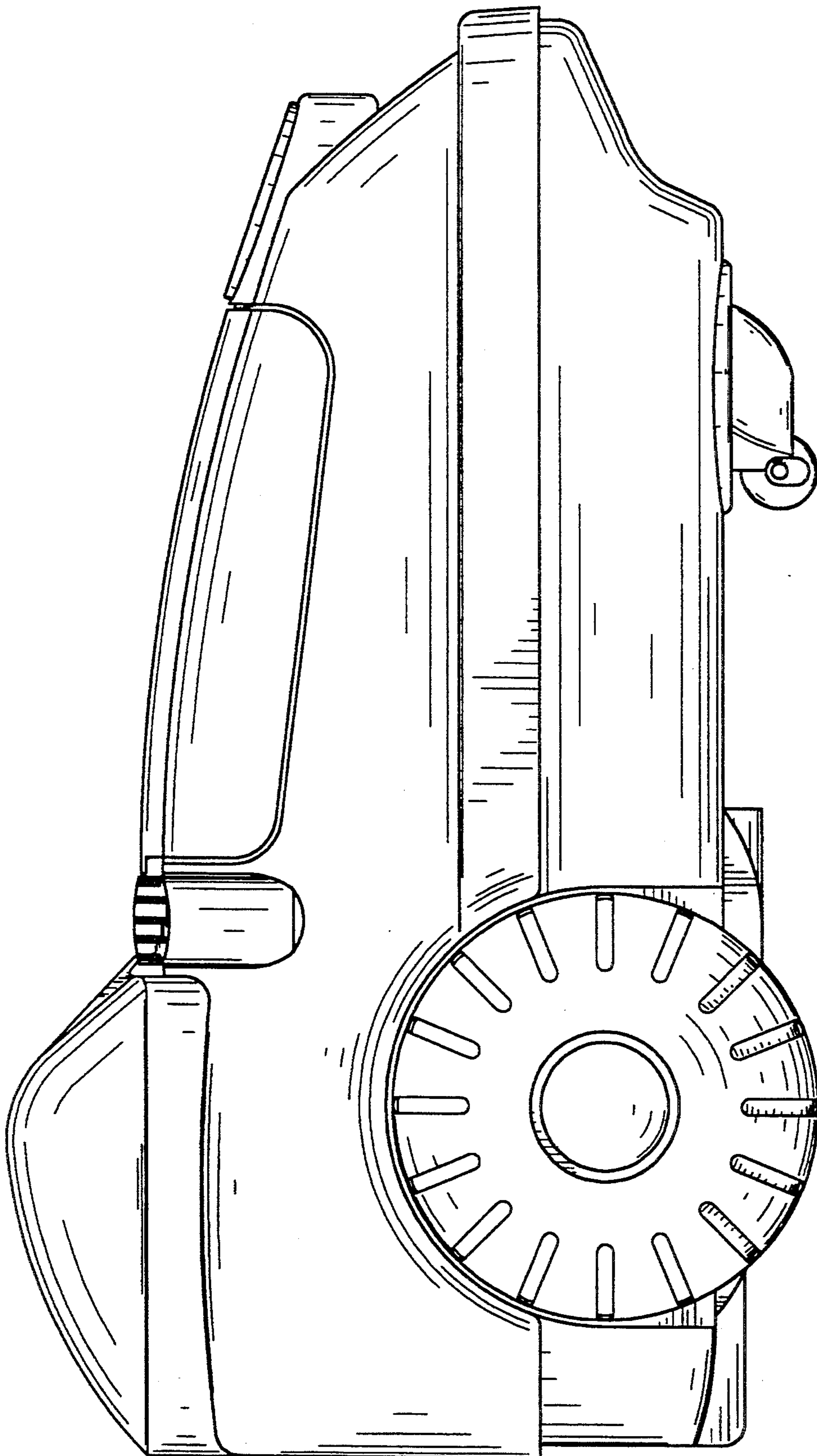


Fig.2

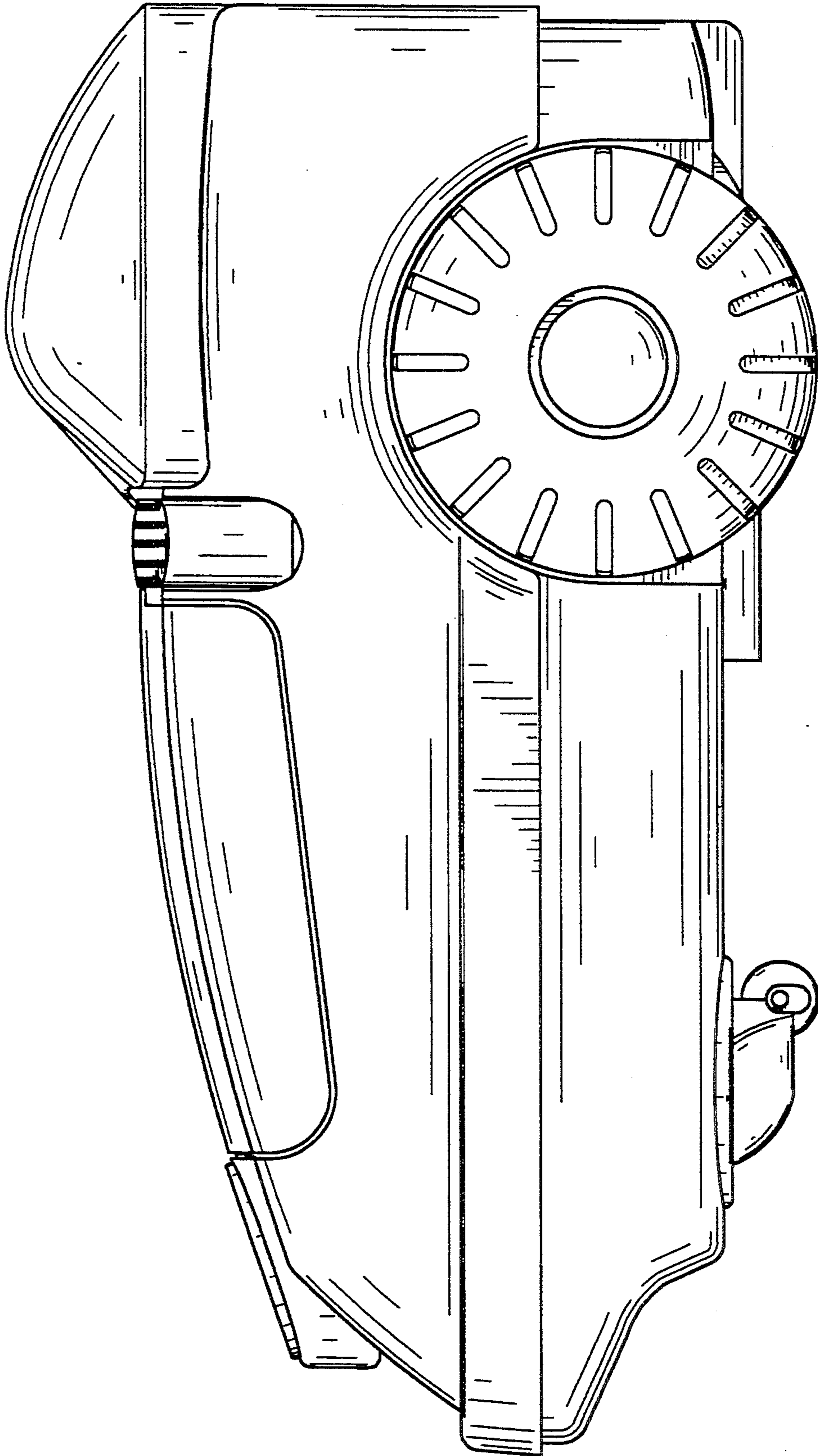


Fig.3

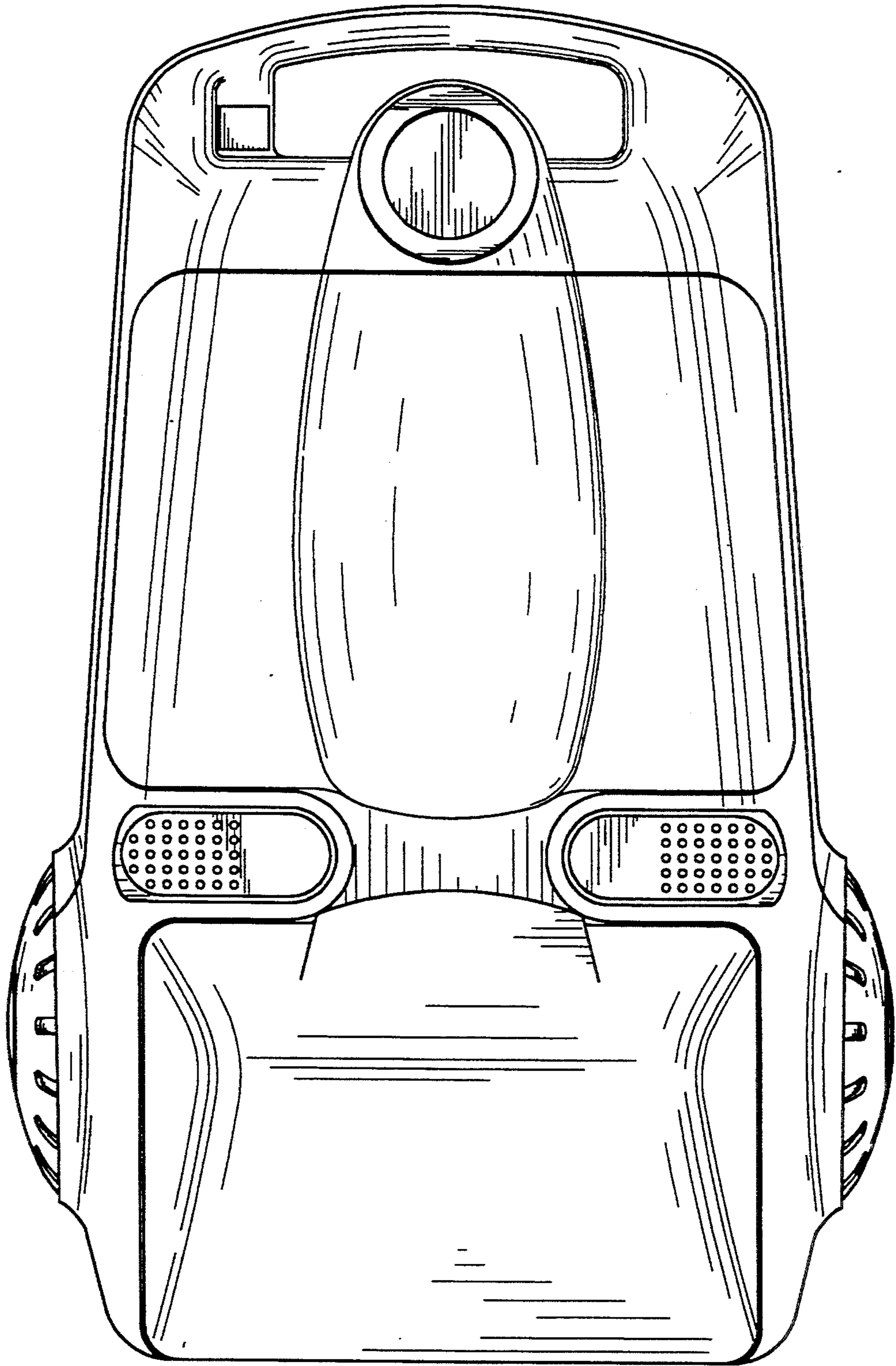


Fig.4

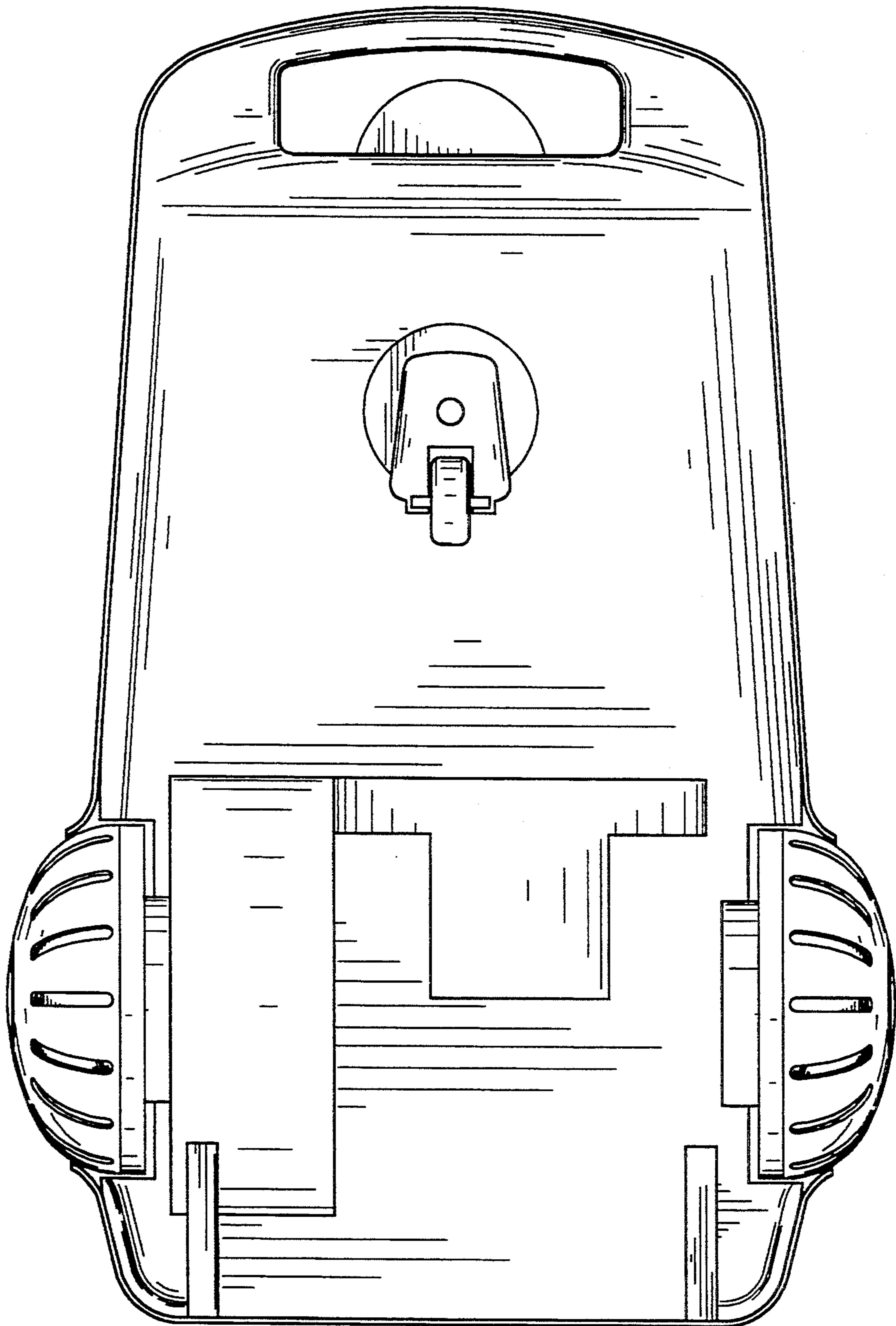


Fig.5

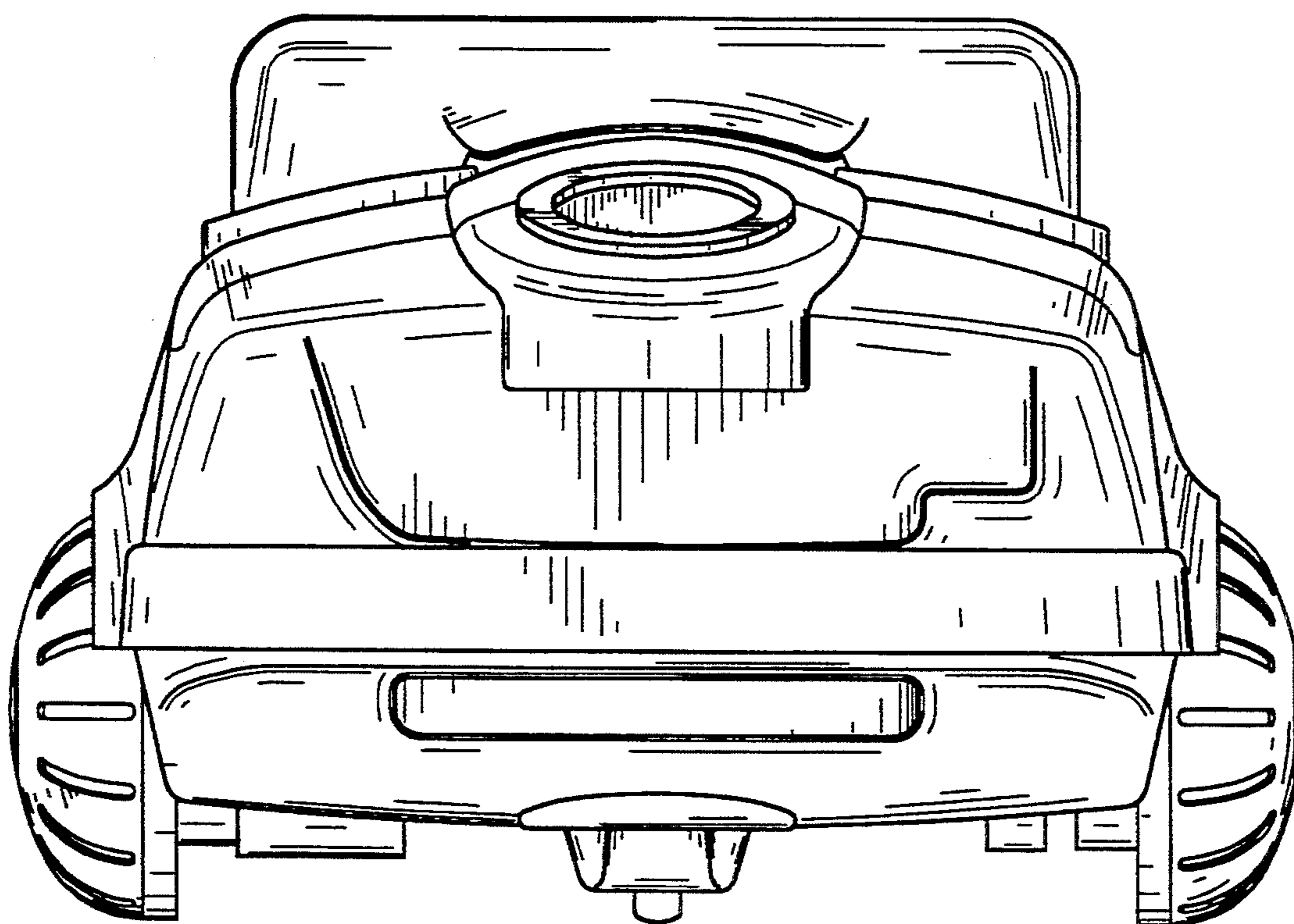


Fig.6

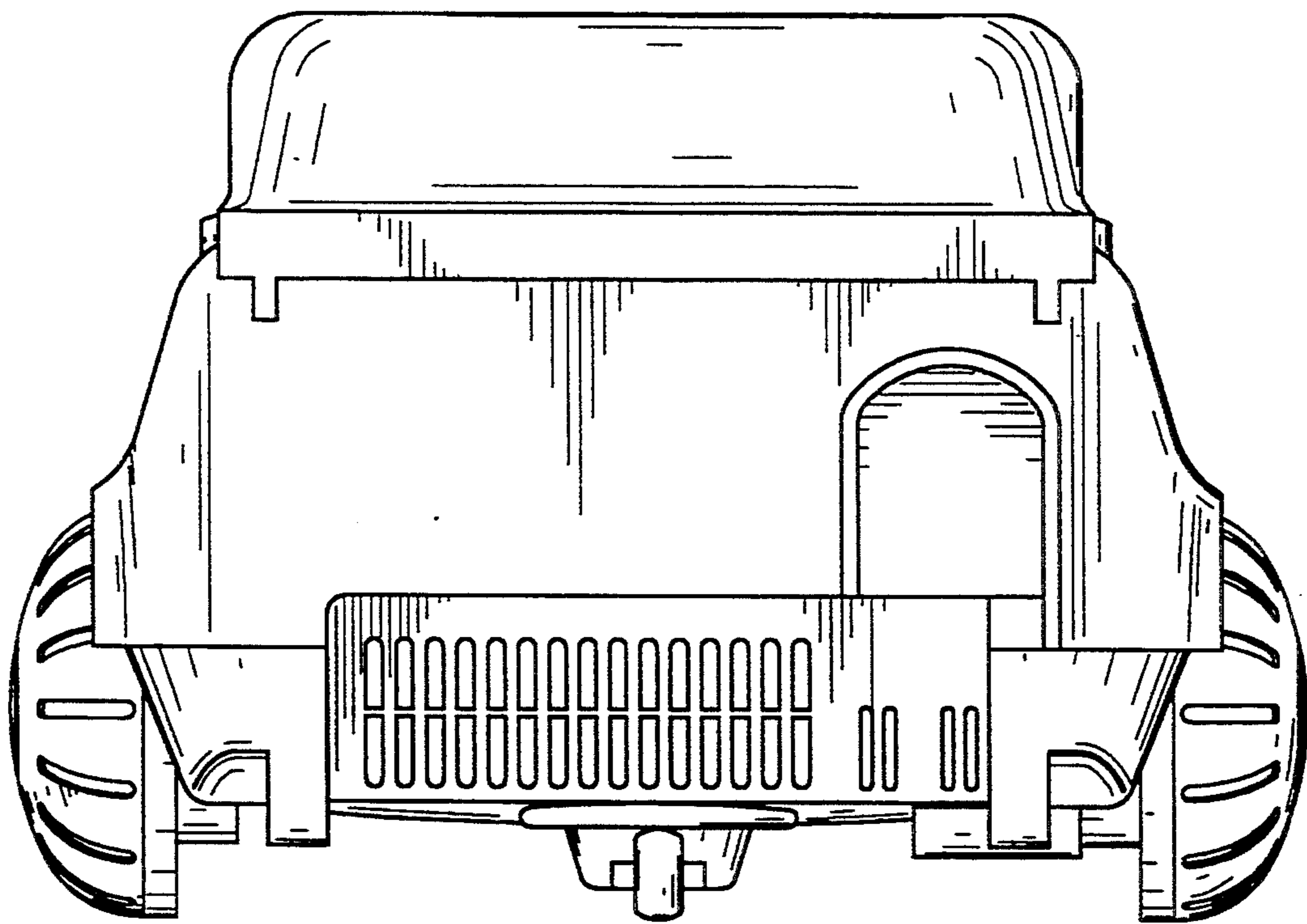


Fig.7