



US00D357559S

United States Patent [19]

[11] Patent Number: **Des. 357,559**

Parise

[45] Date of Patent: **** Apr. 18, 1995**

[54] **HOT WATER VACUUM EXTRACTION MACHINE**

D. 261,514 10/1981 Cody D32/21
D. 270,960 10/1983 Parise et al. D32/21
D. 281,919 12/1985 Bailey et al. D32/21

[75] Inventor: **Carl Parise, Reno, Nev.**

Primary Examiner—Ruth McInroy
Attorney, Agent, or Firm—Sughrue, Mion, Zinn,
Macpeak & Seas

[73] Assignee: **Thermax, Inc., Reno, Nev.**

[**] Term: **14 Years**

[57] CLAIM

[21] Appl. No.: **6,819**

The ornamental design for a hot water vacuum extraction machine, as shown.

[22] Filed: **Apr. 8, 1993**

DESCRIPTION

[52] U.S. Cl. **D32/21**

[58] Field of Search **D32/21, 23-24;
15/320-321, 323, 327.1-327.7, 353, 246.5**

FIG. 1 is a front, top and right side perspective view of a hot water vacuum extraction machine showing my new design;

[56] References Cited

U.S. PATENT DOCUMENTS

D. 242,210 11/1976 Parise D32/21
D. 247,671 4/1978 Laule et al. D32/21
D. 248,656 7/1978 Parise D32/21
D. 248,657 7/1978 Parise D32/21

FIG. 2 is a left side elevational view thereof;

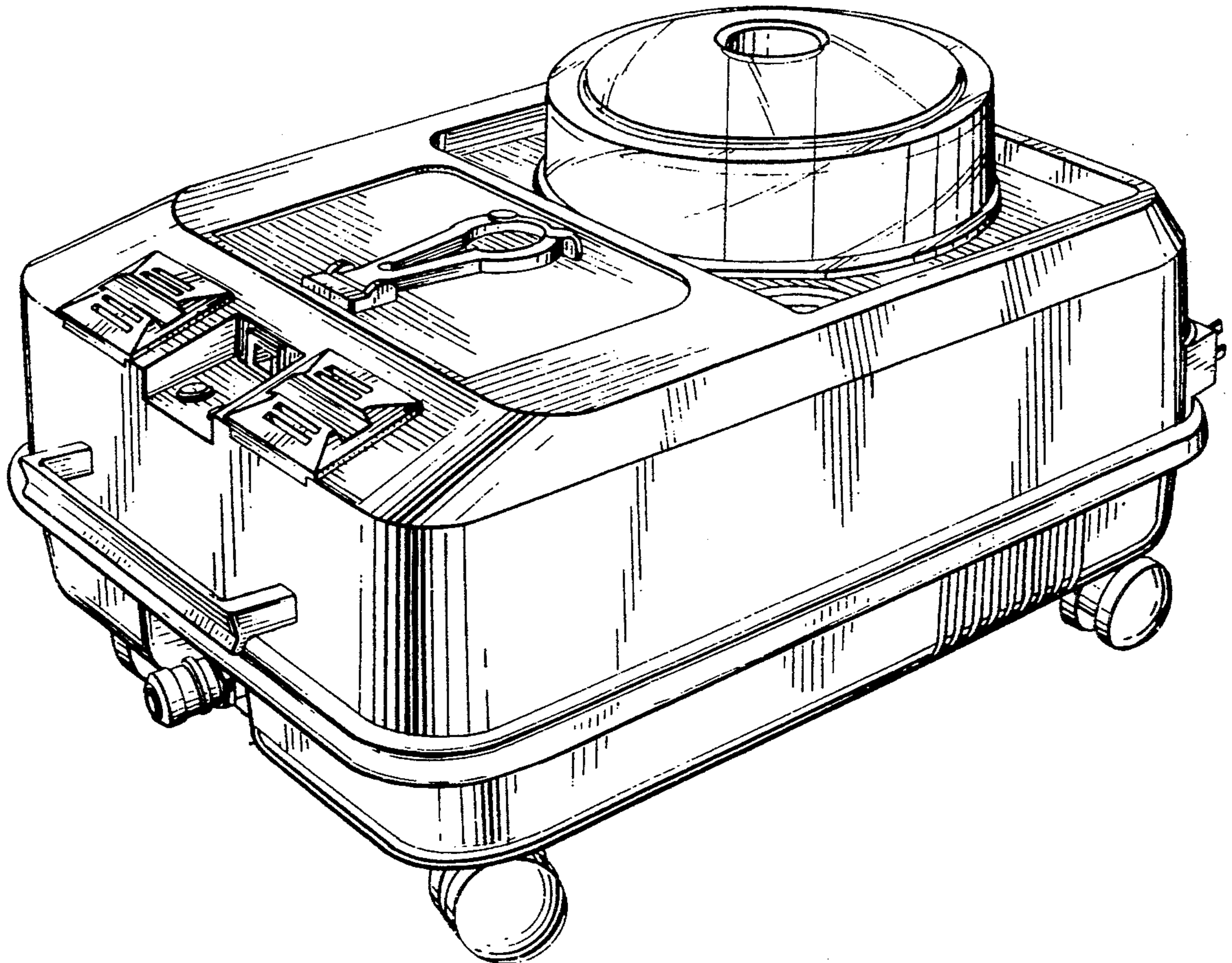
FIG. 3 is a right side elevational view thereof;

FIG. 4 is a top plan view thereof;

FIG. 5 is a bottom plan view thereof;

FIG. 6 is a front elevational view thereof; and,

FIG. 7 is a rear elevational view thereof.



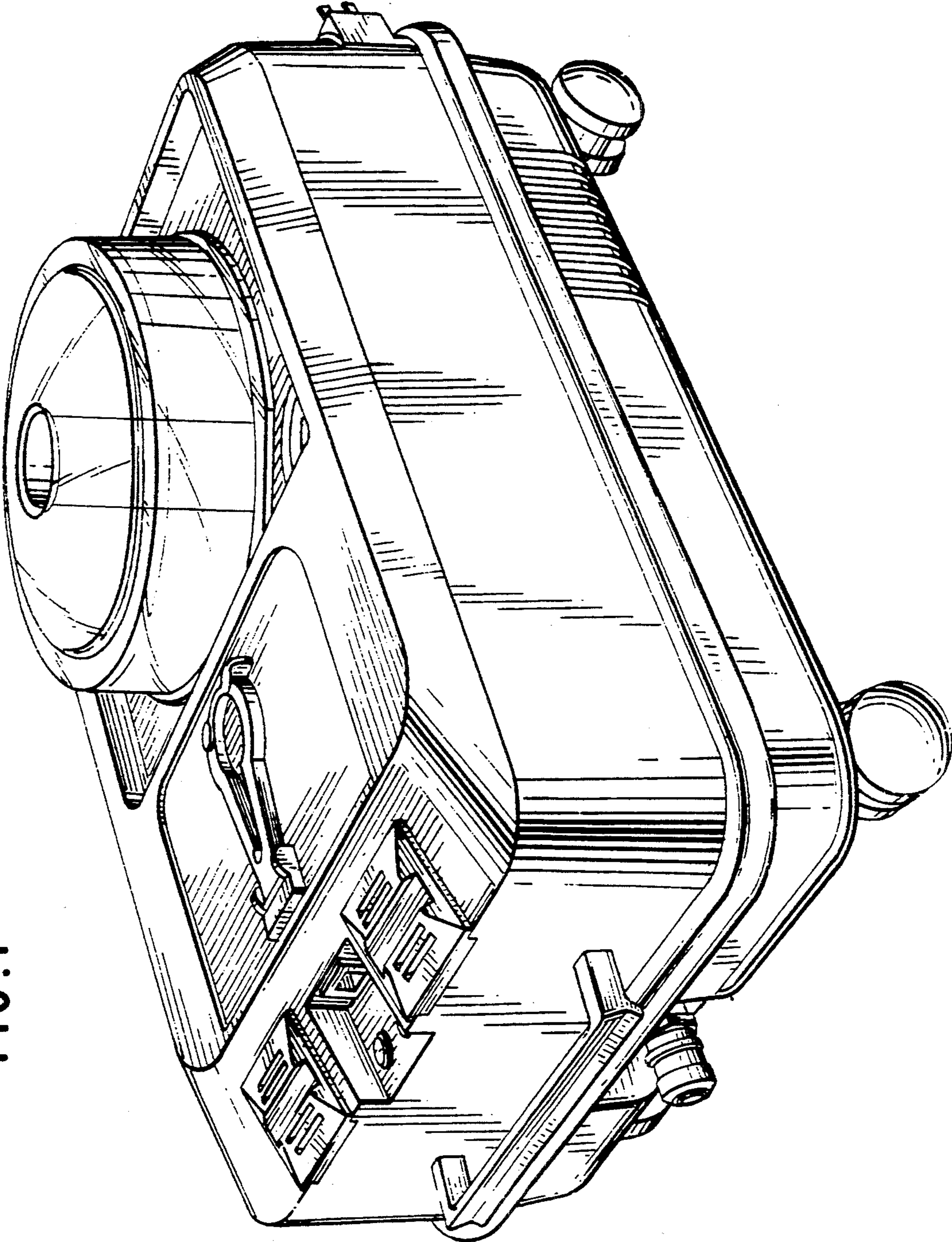


FIG. 1

FIG. 2

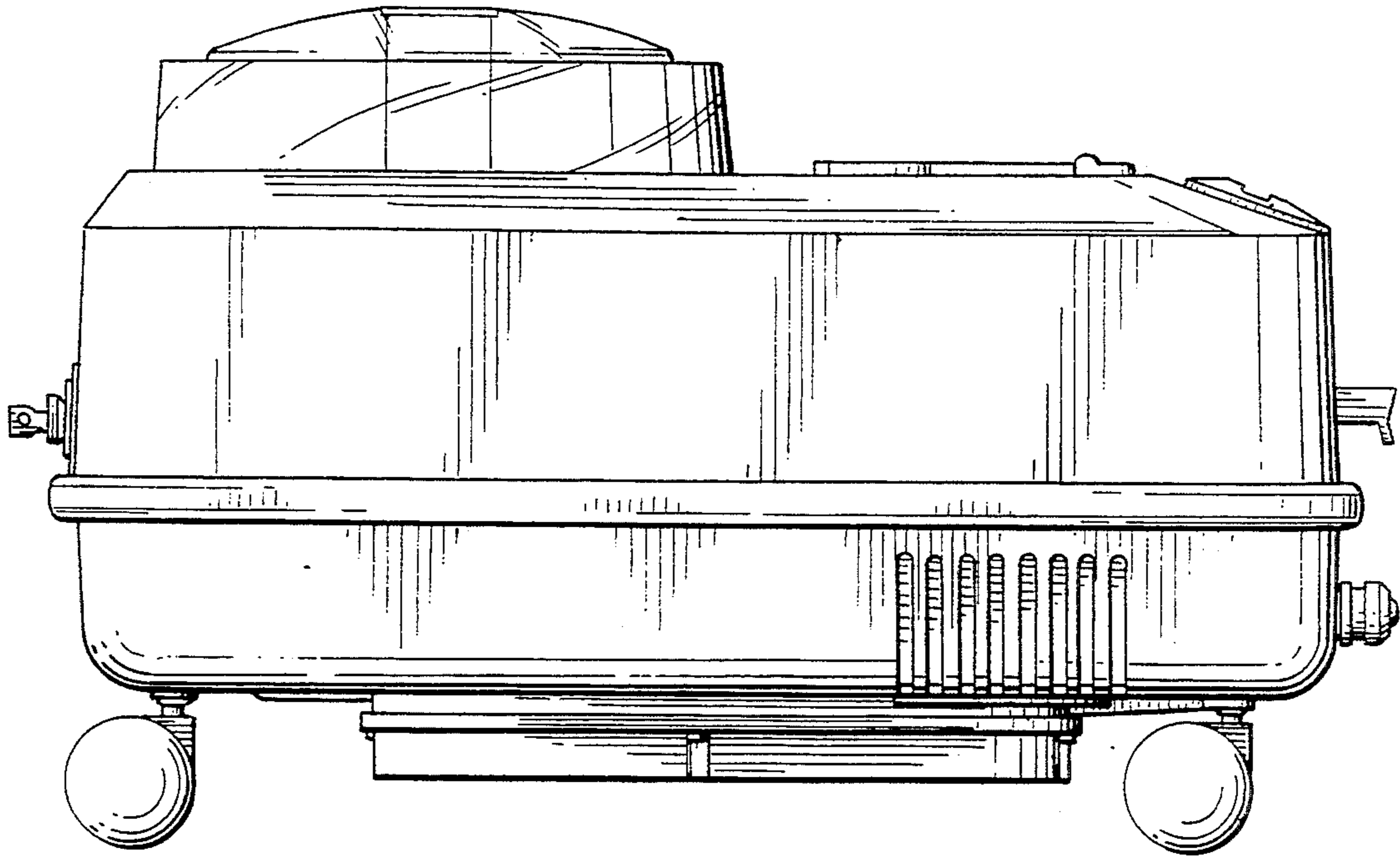
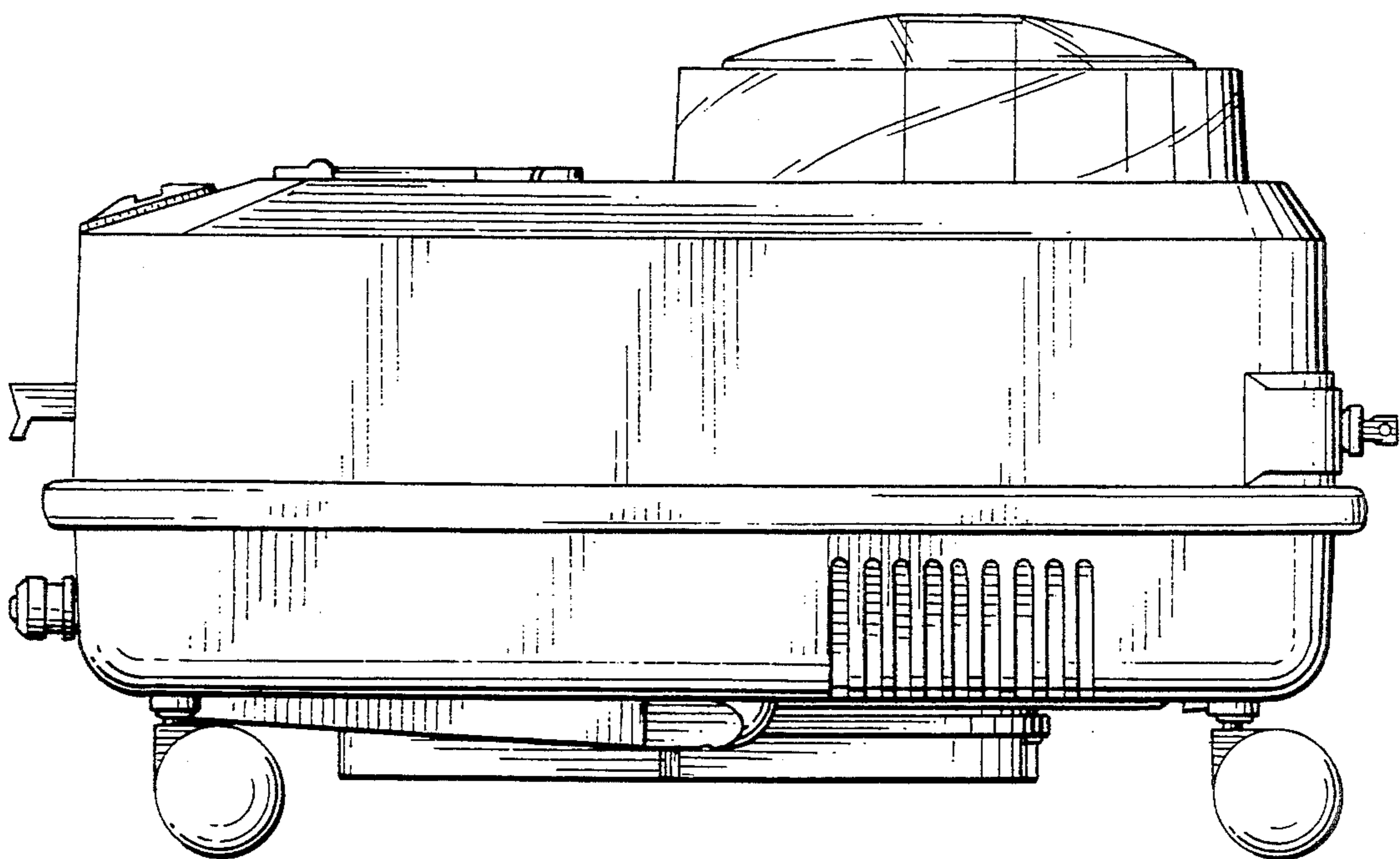


FIG. 3



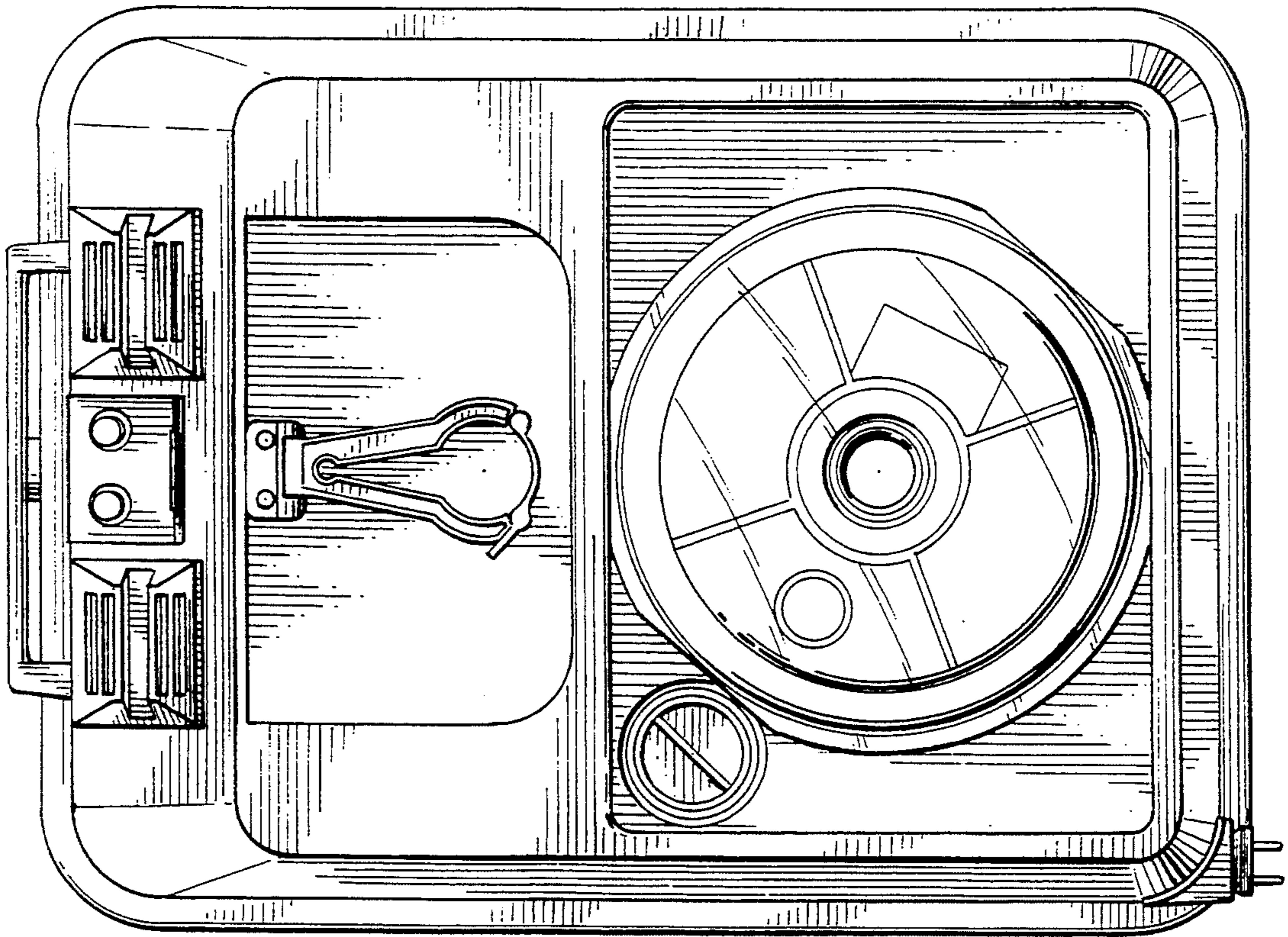


FIG. 4

FIG. 5

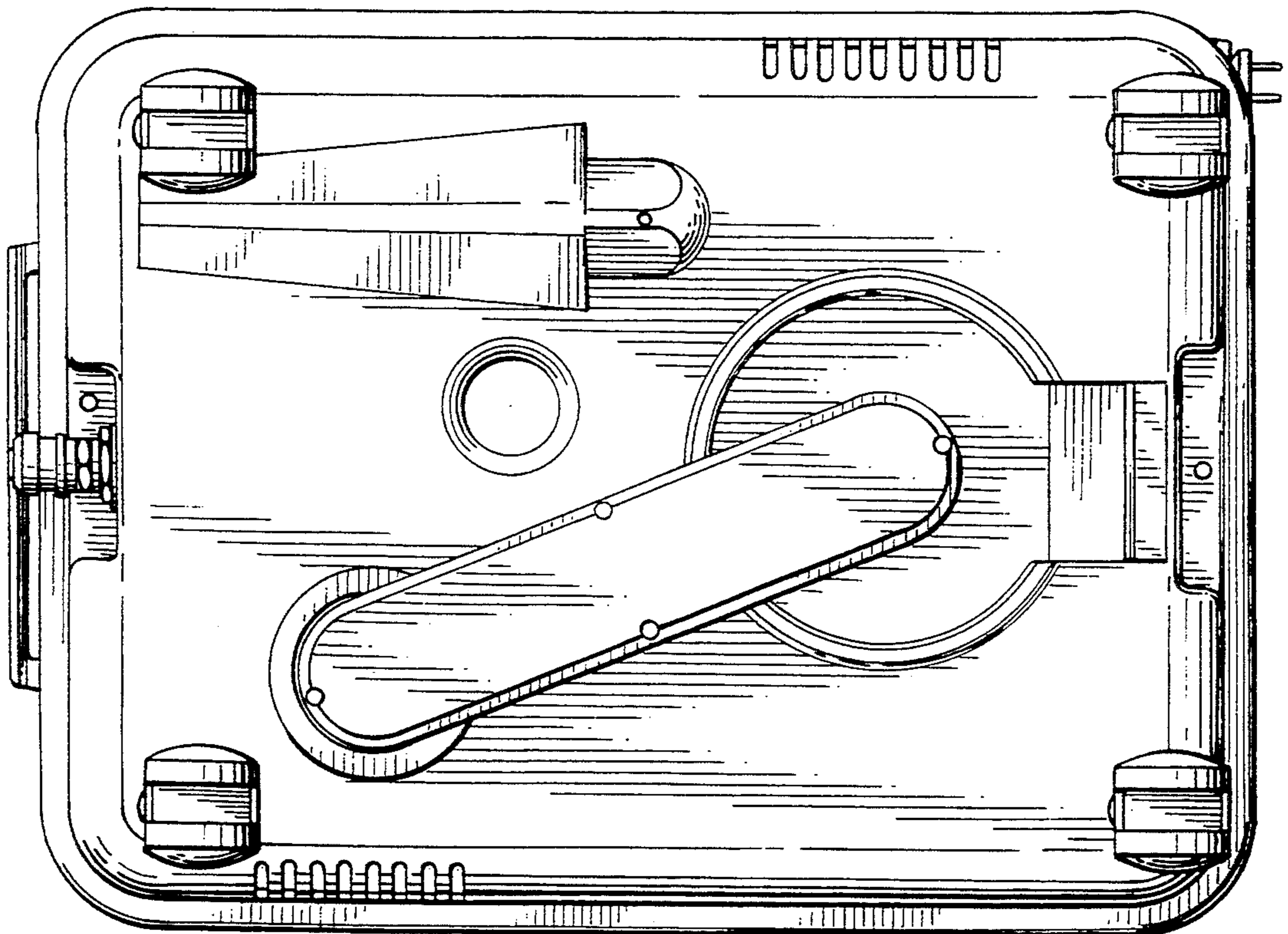


FIG. 6

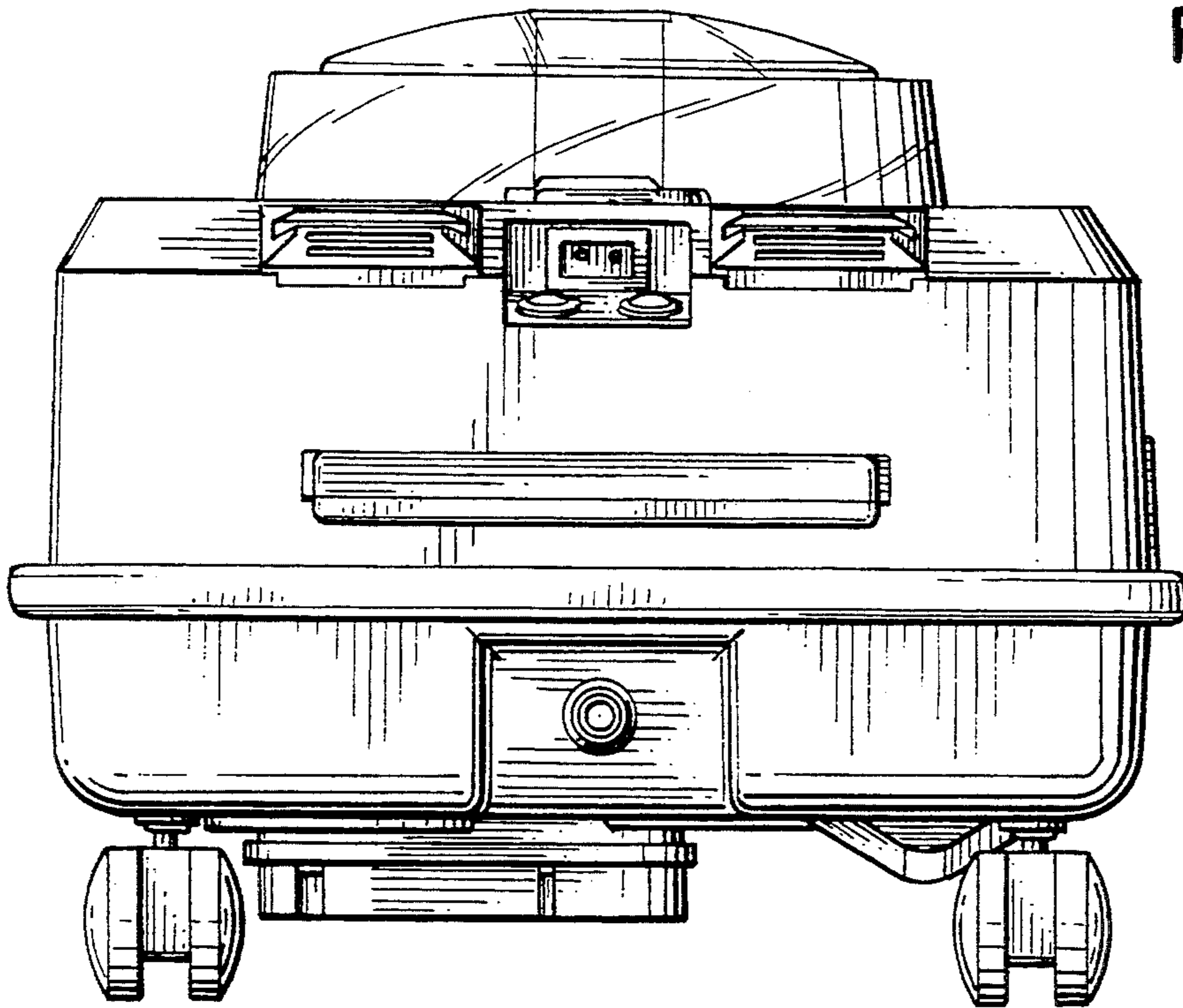


FIG. 7

