



US00D357556S

United States Patent [19]

[11] Patent Number: **Des. 357,556**

Hashimoto

[45] Date of Patent: **** Apr. 18, 1995**

[54] **AQUARIUM TANK**

[75] Inventor: **Hiroaki Hashimoto, Saitama, Japan**

[73] Assignee: **Nisso Industry Co., Ltd., Tokyo, Japan**

[**] Term: **14 Years**

[21] Appl. No.: **16,206**

[22] Filed: **Dec. 10, 1993**

[52] U.S. Cl. **D30/101**

[58] Field of Search **D30/101, 104, 106-107; 119/269, 245, 248, 267, 265, 266, 246; D11/145; 47/69 T**

- 60-34401 8/1985 Japan .
- 60-34402 8/1985 Japan .
- 60-34403 8/1985 Japan .
- 60-34404 8/1985 Japan .
- 60-34405 8/1985 Japan .
- 61-8076 3/1986 Japan .
- 61-8077 3/1986 Japan .
- 63-31001 8/1988 Japan .
- 1-33847 9/1989 Japan .
- 2-39818 11/1990 Japan .
- 2-39819 11/1990 Japan .

OTHER PUBLICATIONS

Hagan brochure for Aquariums; Cover photo; Sep. 19, 1992 (Fish Catalogs Box).

Rain Forist Aquarium Japanese Brochure; Nov. 5, 1992; cover photo.

Para Atollo Aqua-Rama System brochure; 950 & 645 Aquariums; back cover photo; (Fish Catalog Box).

Primary Examiner—Cathy Anne MacCormac
Attorney, Agent, or Firm—Oblon, Spivak, McClelland, Maier & Neustadt

[56] References Cited

U.S. PATENT DOCUMENTS

- D. 158,074 4/1950 Hallick-Smith D30/101
- D. 230,742 3/1974 Rehlaender 119/265
- 305,720 9/1884 Sperber 47/69 T
- D. 347,911 6/1994 Tominaga D30/101
- 4,078,522 3/1978 Akers 119/266
- 4,094,271 4/1978 Louis 119/245
- 4,191,129 3/1980 Renny 119/269
- 4,889,973 12/1989 Farinacci et al. 119/269

FOREIGN PATENT DOCUMENTS

- 988375 5/1976 Canada 119/269
- 122175 10/1984 European Pat. Off. 119/248
- 1045329 11/1953 France 119/266
- 1267479 6/1961 France 119/245
- 1133175 7/1962 Germany 119/266
- 2150023 4/1973 Germany 119/269
- 59-18460 5/1984 Japan .
- 59-18461 5/1984 Japan .
- 60-31014 7/1985 Japan .
- 60-31016 7/1985 Japan .

[57] CLAIM

The ornamental design for an aquarium tank, as shown and described.

DESCRIPTION

FIG. 1 is a top and right front perspective view of an aquarium tank, showing my new design;
FIG. 2 is a top and right front perspective view thereof with a cover of a lid open;
FIG. 3 is a rear elevational view thereof;
FIG. 4 is a top plan view thereof; and,
FIG. 5 is a left side elevational view thereof, the opposite side can be seen in FIGS. 1 and 2.
The bottom is plain and unornamented.

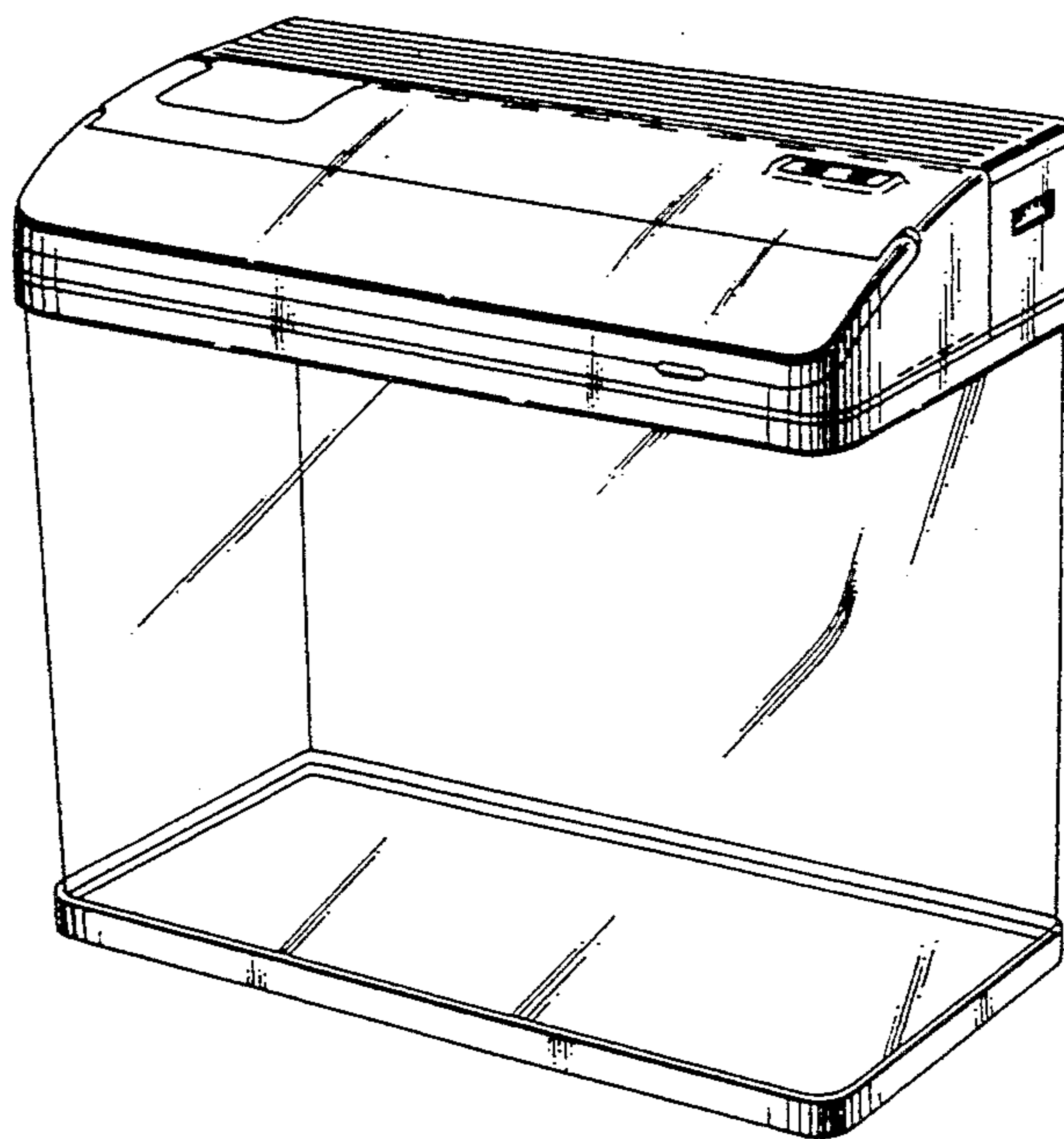


FIG. 1

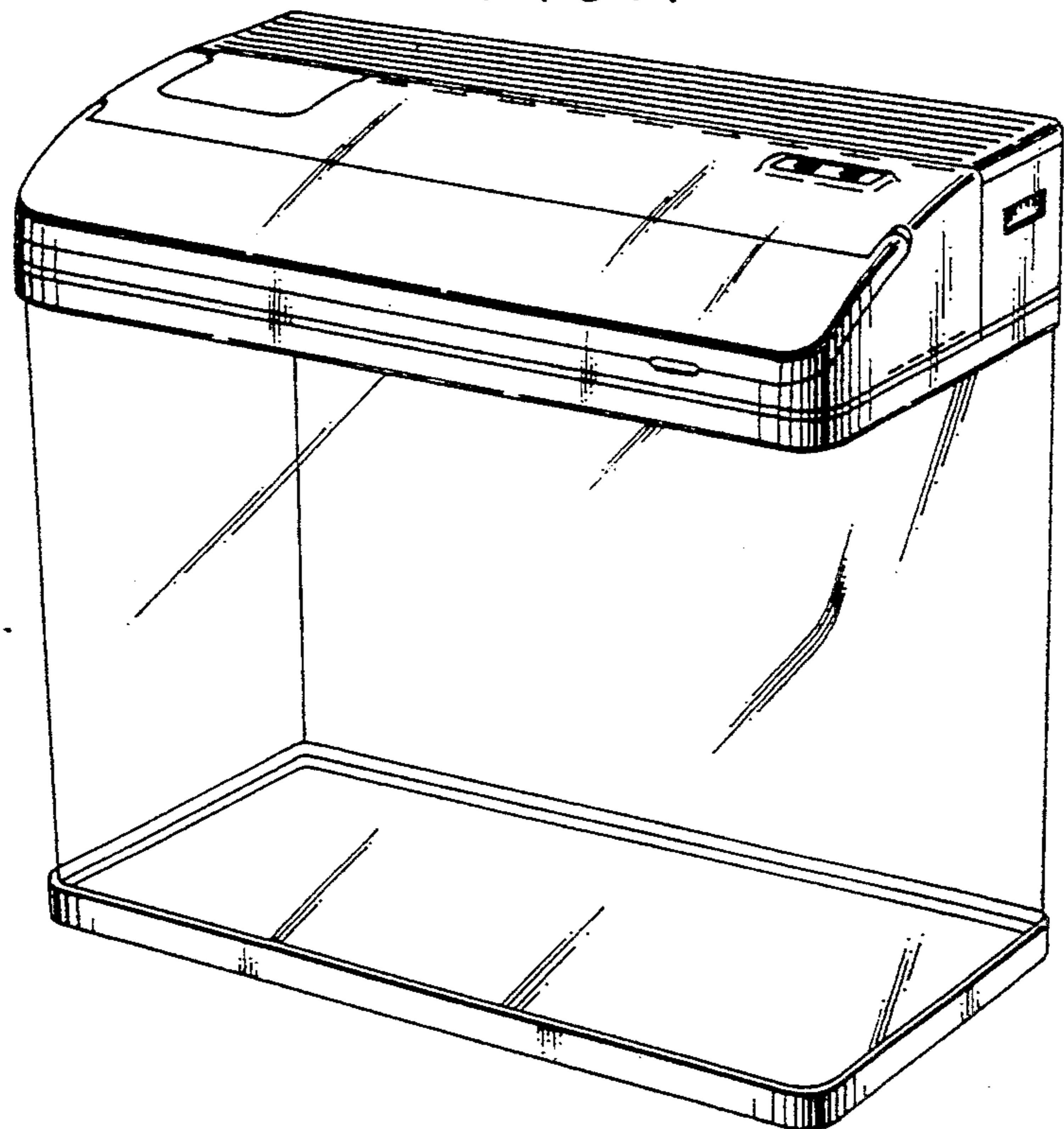


FIG. 2

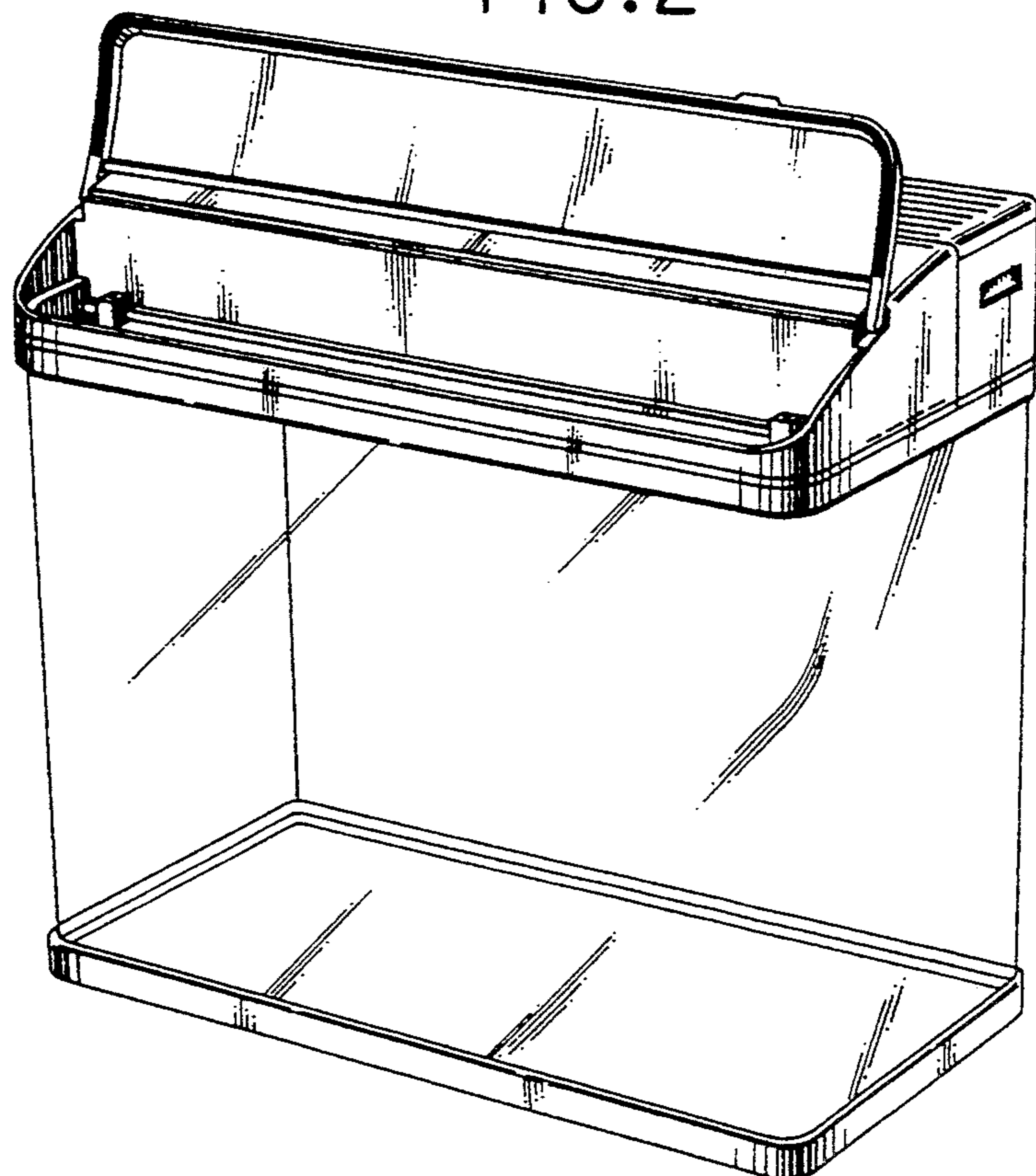


FIG. 3

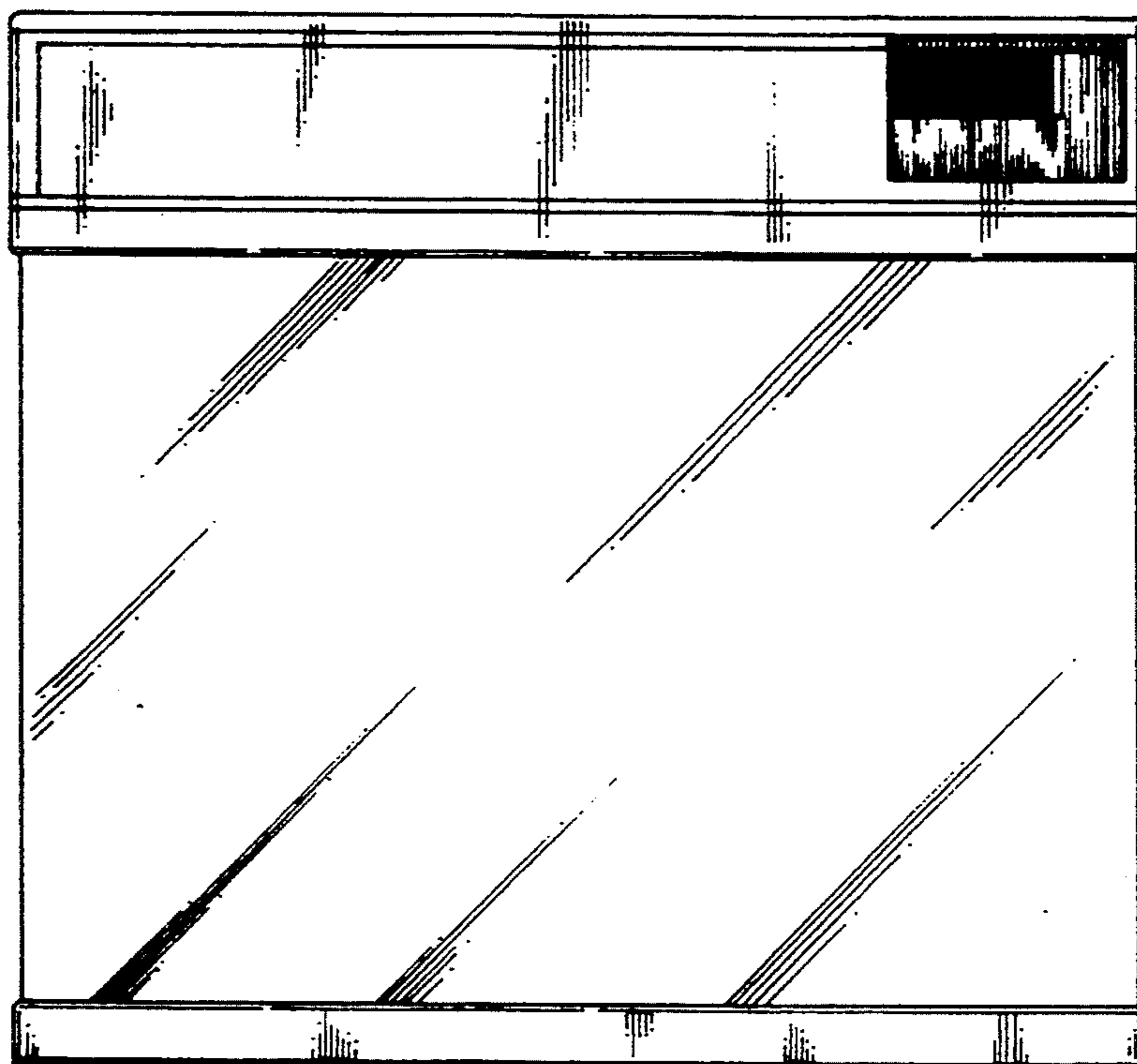


FIG. 4

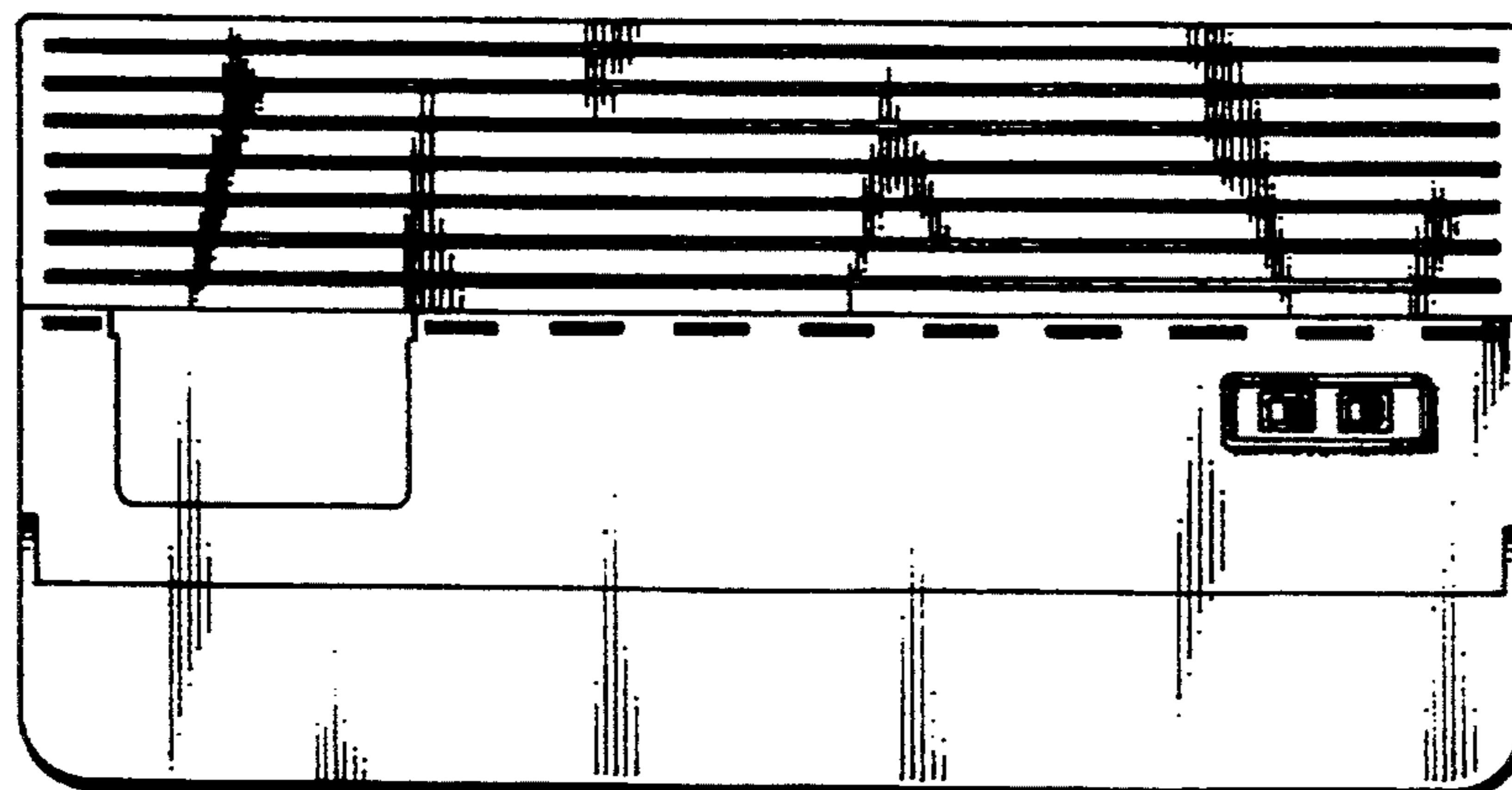


FIG. 5

